



US00D671425S

(12) **United States Design Patent**
Huljak et al.

(10) **Patent No.:** **US D671,425 S**
(45) **Date of Patent:** **** Nov. 27, 2012**

(54) **BAR SOAP AND PACKAGE**

(75) Inventors: **John Robert Huljak**, Crescent Springs, KY (US); **Keldrick Rashuun Walker**, Liberty Township, OH (US); **Kevin Lee Hartzler**, Loveland, OH (US)

(73) Assignee: **The Procter & Gamble Company**, Cincinnati, OH (US)

(**) Term: **14 Years**

(21) Appl. No.: **29/382,719**

(22) Filed: **Jan. 6, 2011**

(51) **LOC (9) Cl.** **09-03**

(52) **U.S. Cl.** **D9/721; D9/418**

(58) **Field of Classification Search** D9/414-418, D9/420-423, 430-433, 721; 229/406, 902-904, 229/906, 407, 110; D6/470, 397, 441; 206/315.9, 206/485, 521.1, 539, 564, 541, 546, 588, 206/766, 779, 822; 220/23.8, 23.83, 315, 220/324, 326, 367, 556, 4.21, 4.23, 835, 220/839; D7/357, 629, 602, 553.1-553.8, D7/538, 591, 615

See application file for complete search history.

(56) **References Cited**

U.S. PATENT DOCUMENTS

D27,556 S	8/1897	Webb	
2,895,469 A	7/1959	Regley	
D202,006 S	8/1965	Slippian	
D248,421 S	7/1978	Berman	
4,352,427 A *	10/1982	Lake	206/778
4,759,935 A *	7/1988	Toshitsugu	426/110
D387,482 S	12/1997	Khan	
5,743,388 A *	4/1998	Kerr et al.	206/77.1
6,336,553 B1	1/2002	Van Gordon	
D485,010 S	1/2004	Crawford	
7,021,458 B2 *	4/2006	Cummings	206/77.1
D527,144 S	8/2006	Crawford et al.	
D535,782 S	1/2007	Cáceres et al.	
D601,415 S *	10/2009	Seum et al.	D9/418
D610,447 S *	2/2010	Seum et al.	D9/418
D610,696 S	2/2010	Makuch	
7,851,425 B2	12/2010	Baquete et al.	

FOREIGN PATENT DOCUMENTS

WO WO 2004/113061 5/2004

OTHER PUBLICATIONS

U.S. Appl. No. 29/382,715, filed Jan. 6, 2011, John Robert Huljak.

* cited by examiner

Primary Examiner — Thomas Johannes

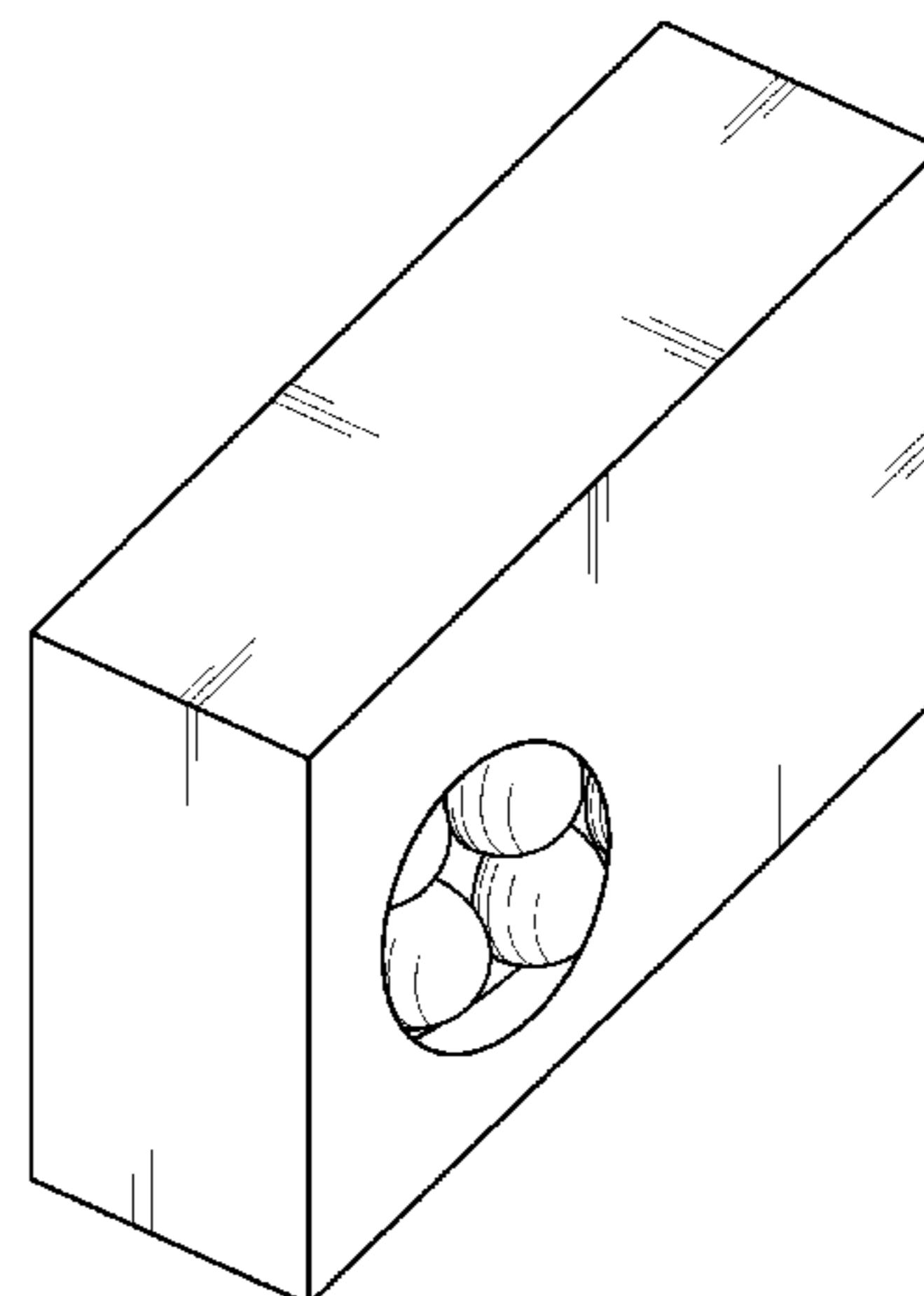
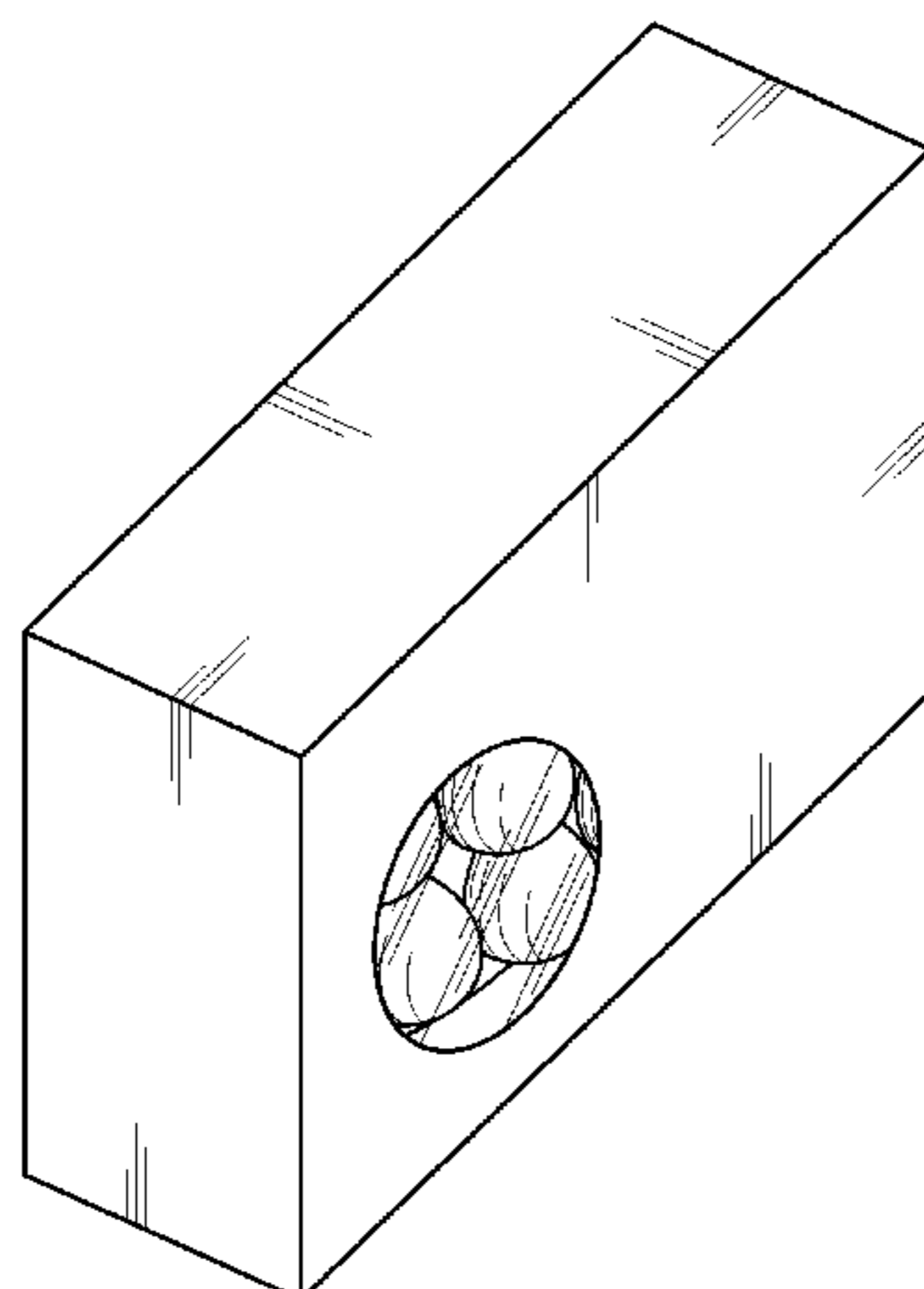
(57) **CLAIM**

The ornamental design for a bar soap and package, as shown and described.

DESCRIPTION

FIG. 1 is a perspective view of a first embodiment of a bar soap and package embodying our new design;
 FIG. 2 is a front view thereof;
 FIG. 3 is a back view thereof;
 FIG. 4 is a left view thereof;
 FIG. 5 is a right view thereof;
 FIG. 6 is a top view thereof; and
 FIG. 7 is a bottom view thereof.
 FIG. 8 is a perspective view of a second embodiment of a bar soap and package;
 FIG. 9 is a front view thereof;
 FIG. 10 is a back view thereof;
 FIG. 11 is a left view thereof;
 FIG. 12 is a right view thereof;
 FIG. 13 is a top view thereof; and
 FIG. 14 is a bottom view thereof.
 FIG. 15 is a perspective view of a third embodiment of a bar soap and package;
 FIG. 16 is a front view thereof;
 FIG. 17 is a back view thereof;
 FIG. 18 is a left view thereof;
 FIG. 19 is a right view thereof;
 FIG. 20 is a top view thereof; and,
 FIG. 21 is a bottom view thereof.
 The broken line portion of the figure drawings is included to show unclaimed subject matter only and forms no part of the claimed design.

1 Claim, 12 Drawing Sheets



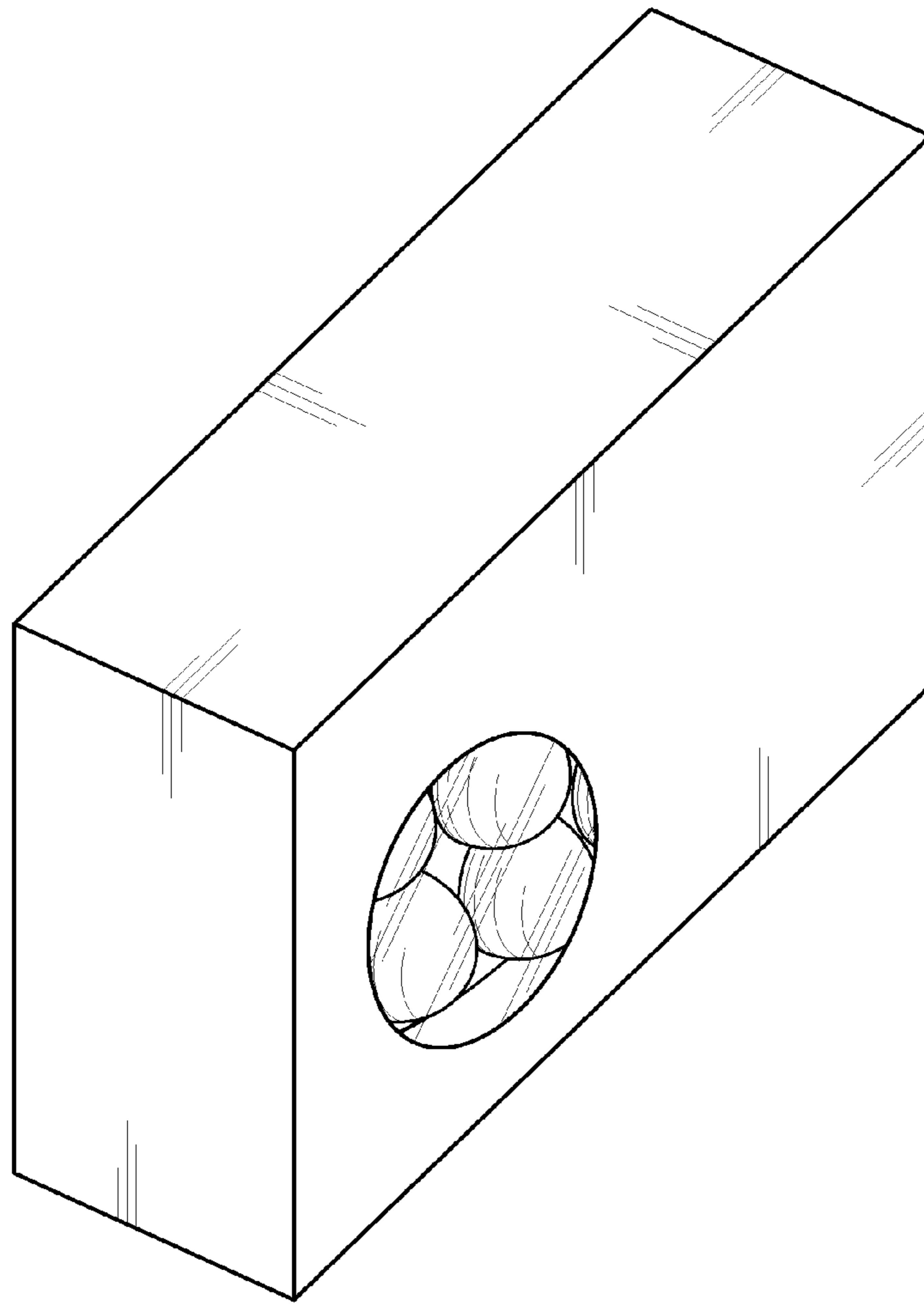


Fig. 1

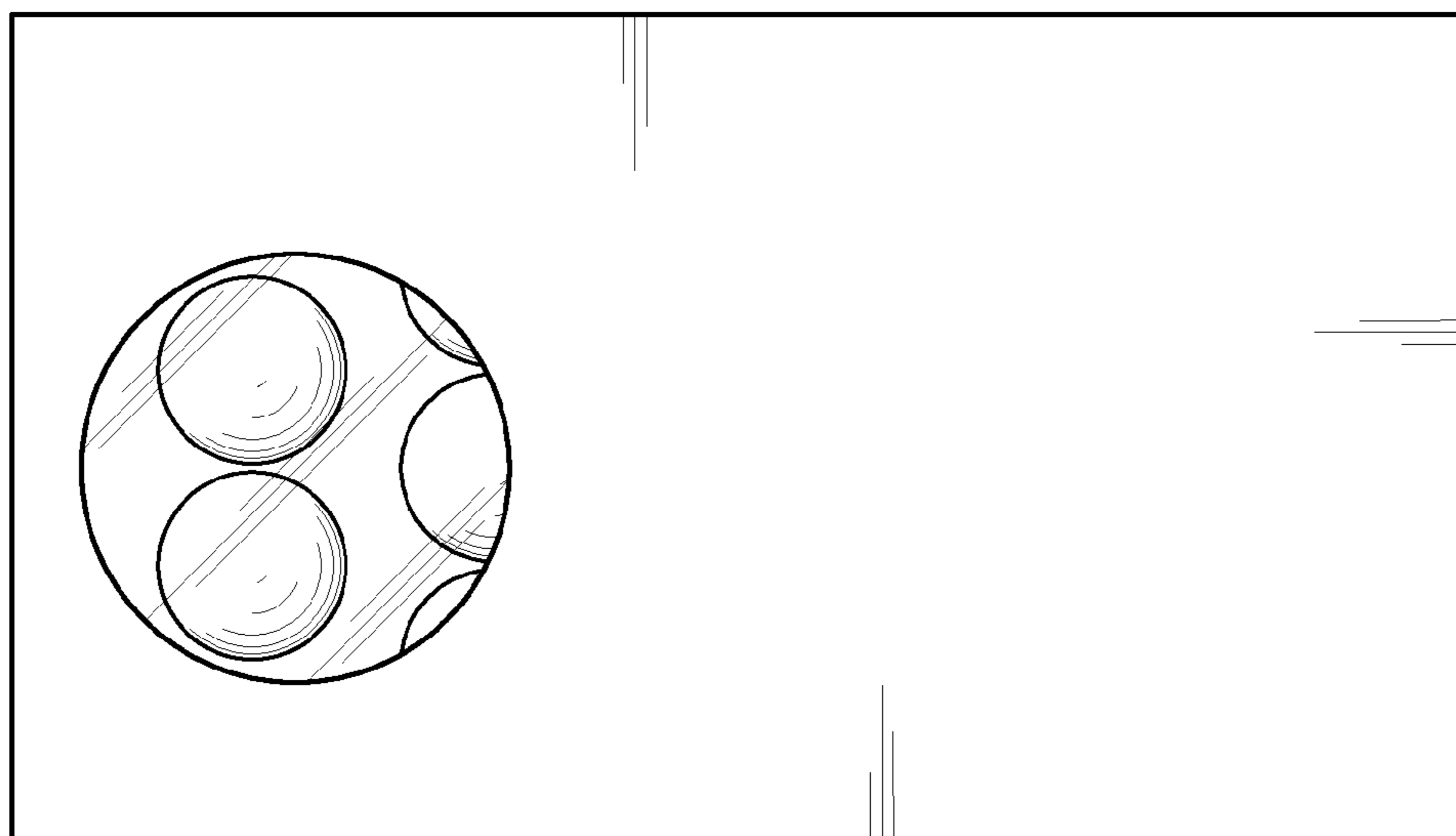


Fig. 2

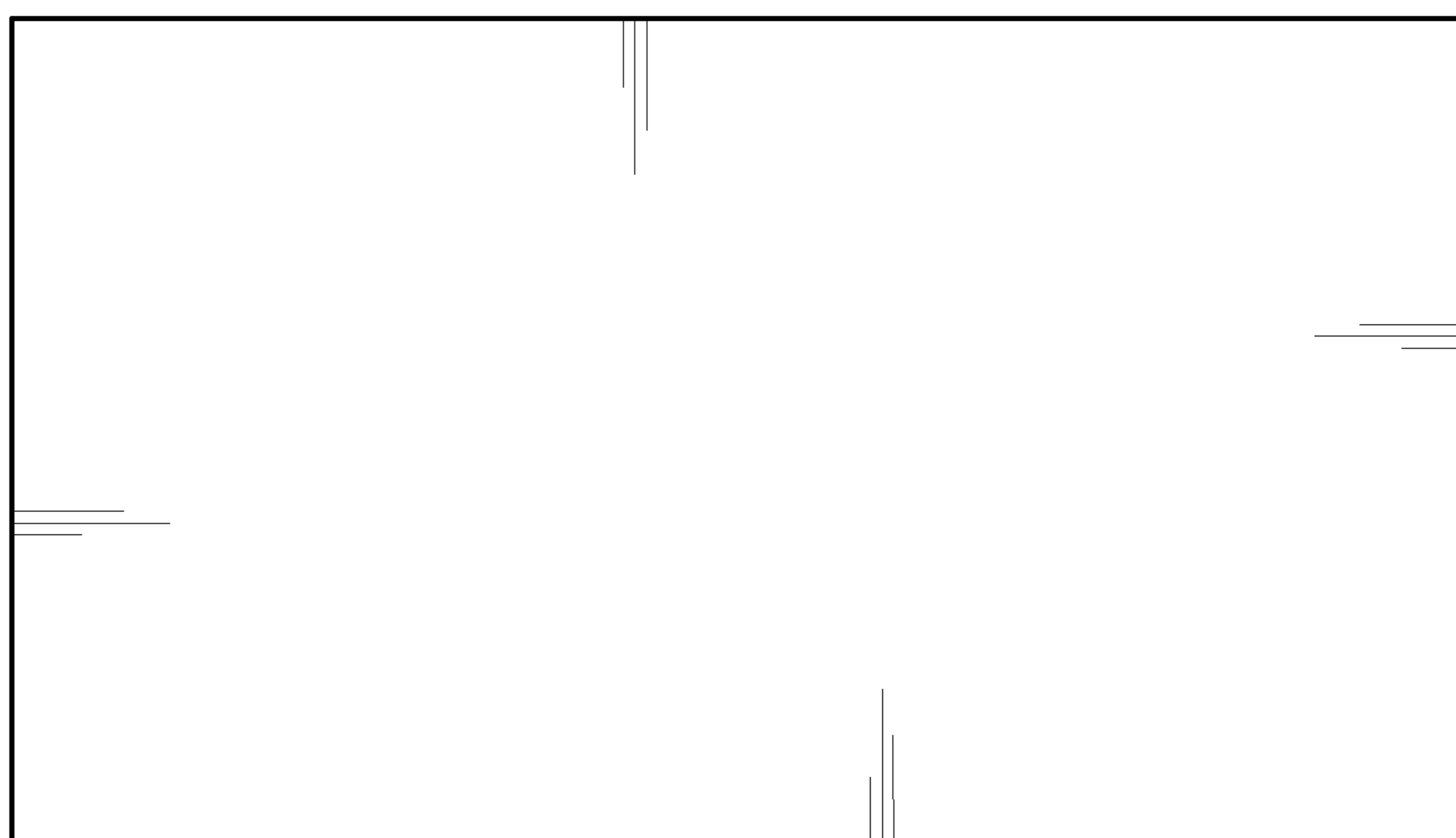


Fig. 3

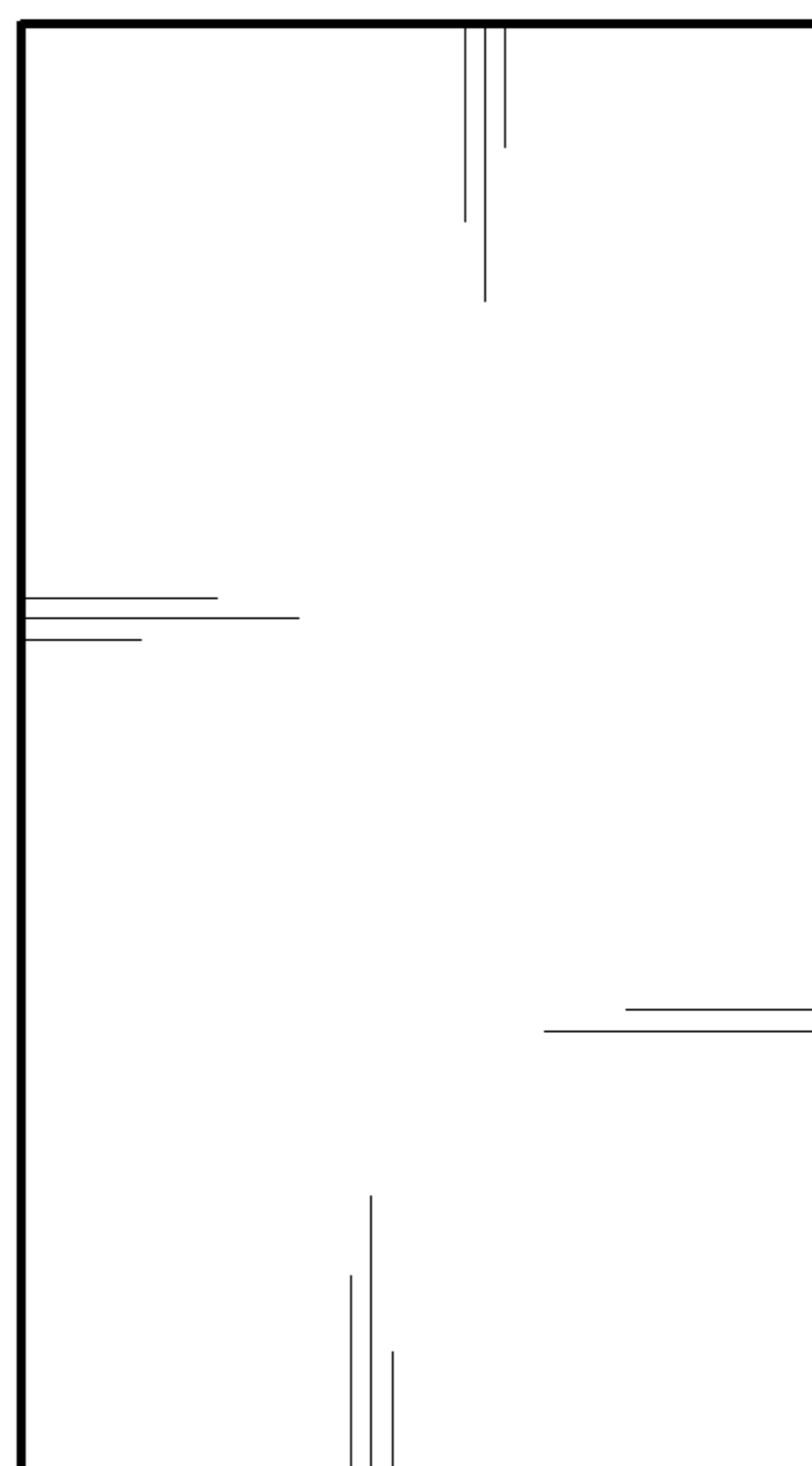


Fig. 4

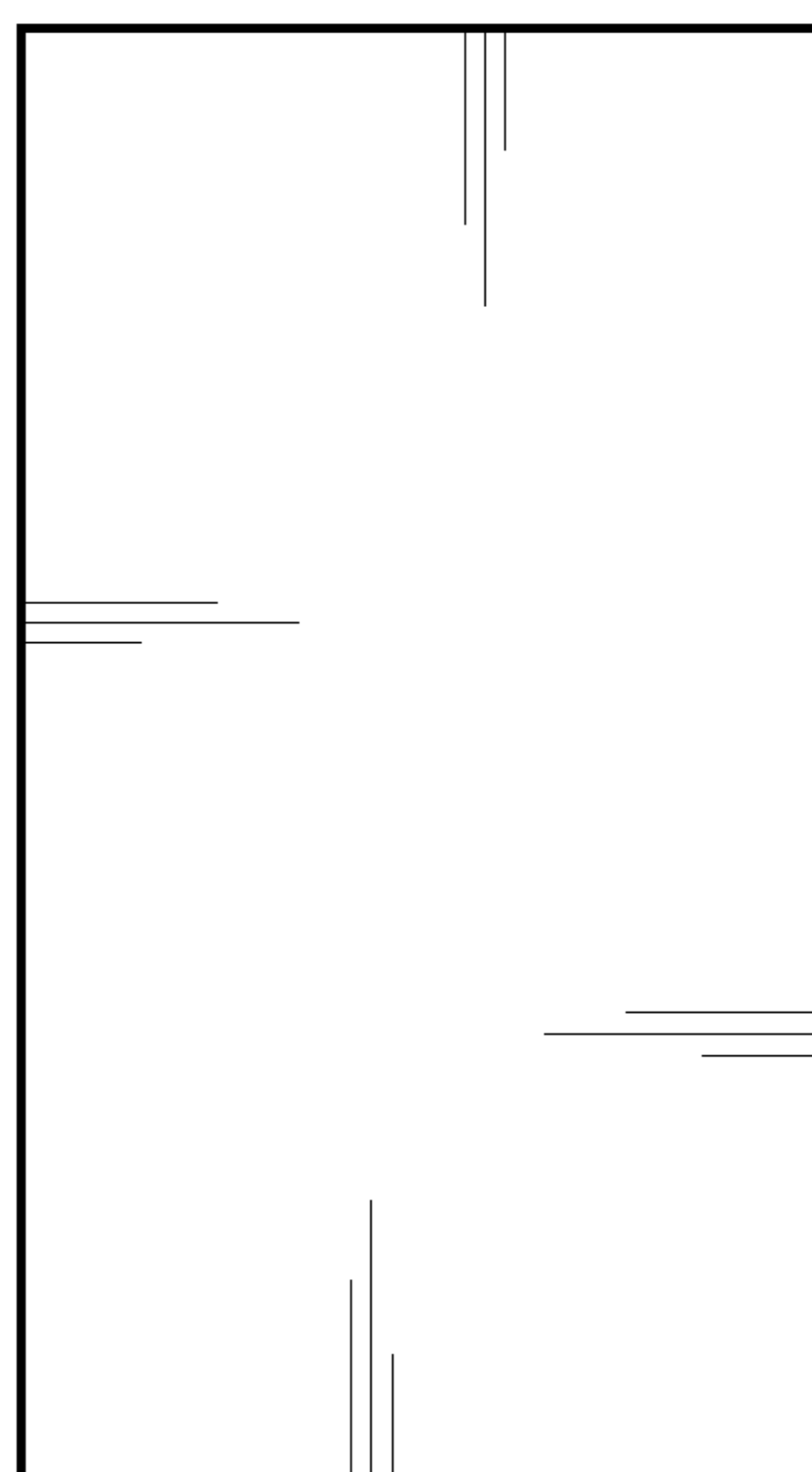


Fig. 5

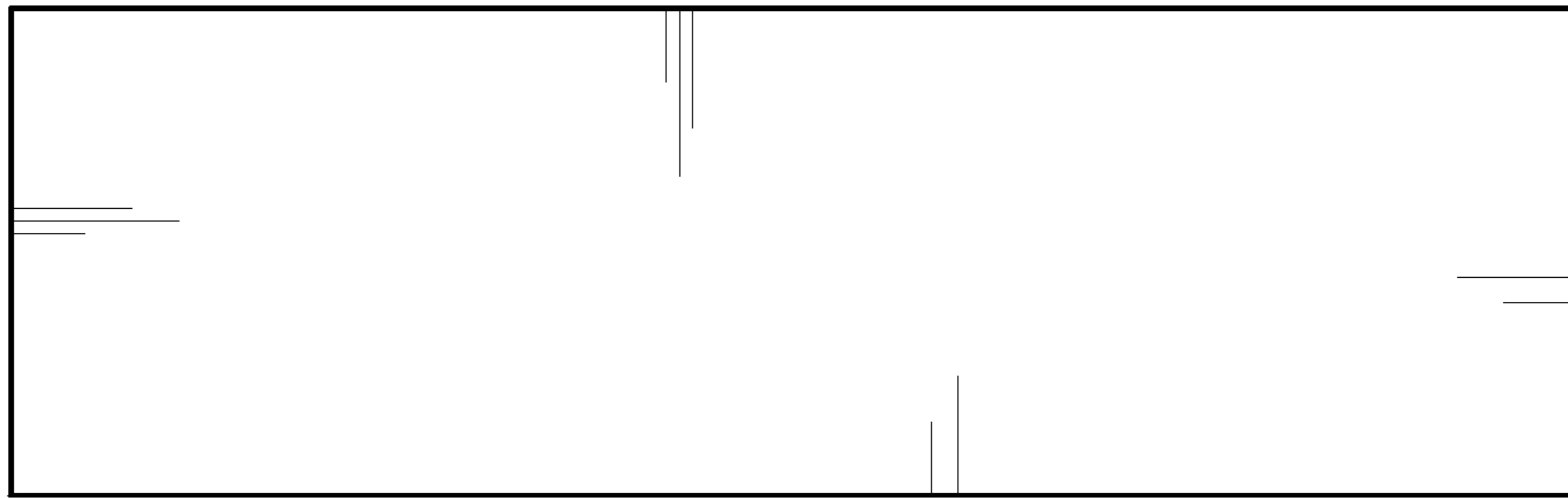


Fig. 6

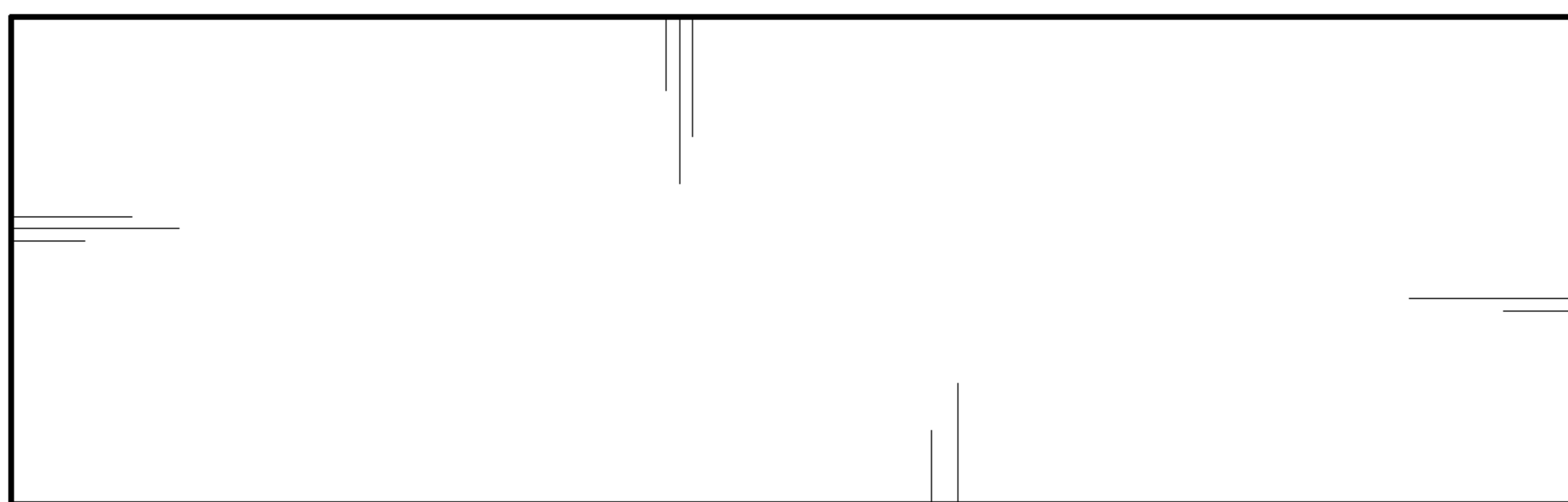


Fig. 7

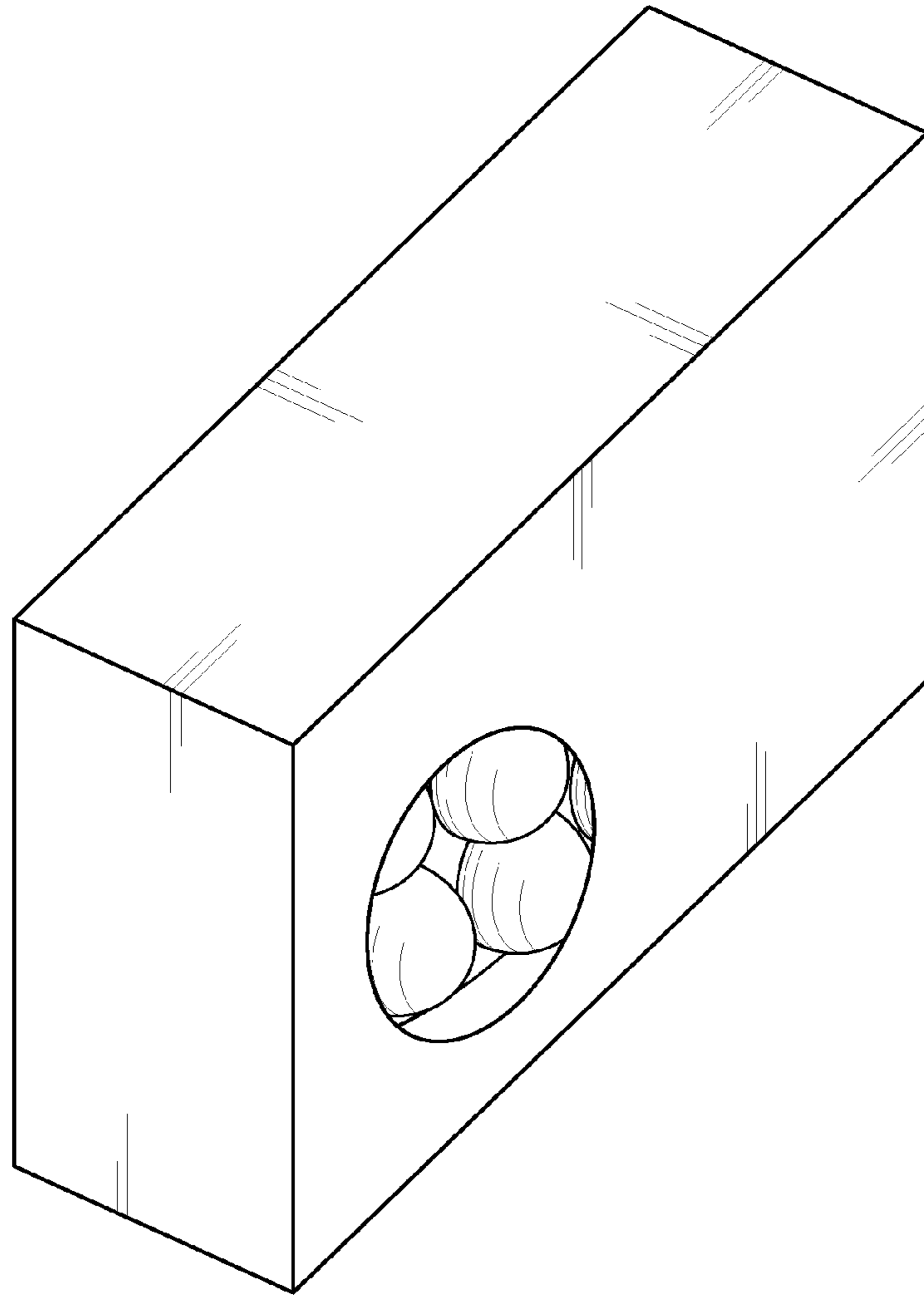


Fig. 8

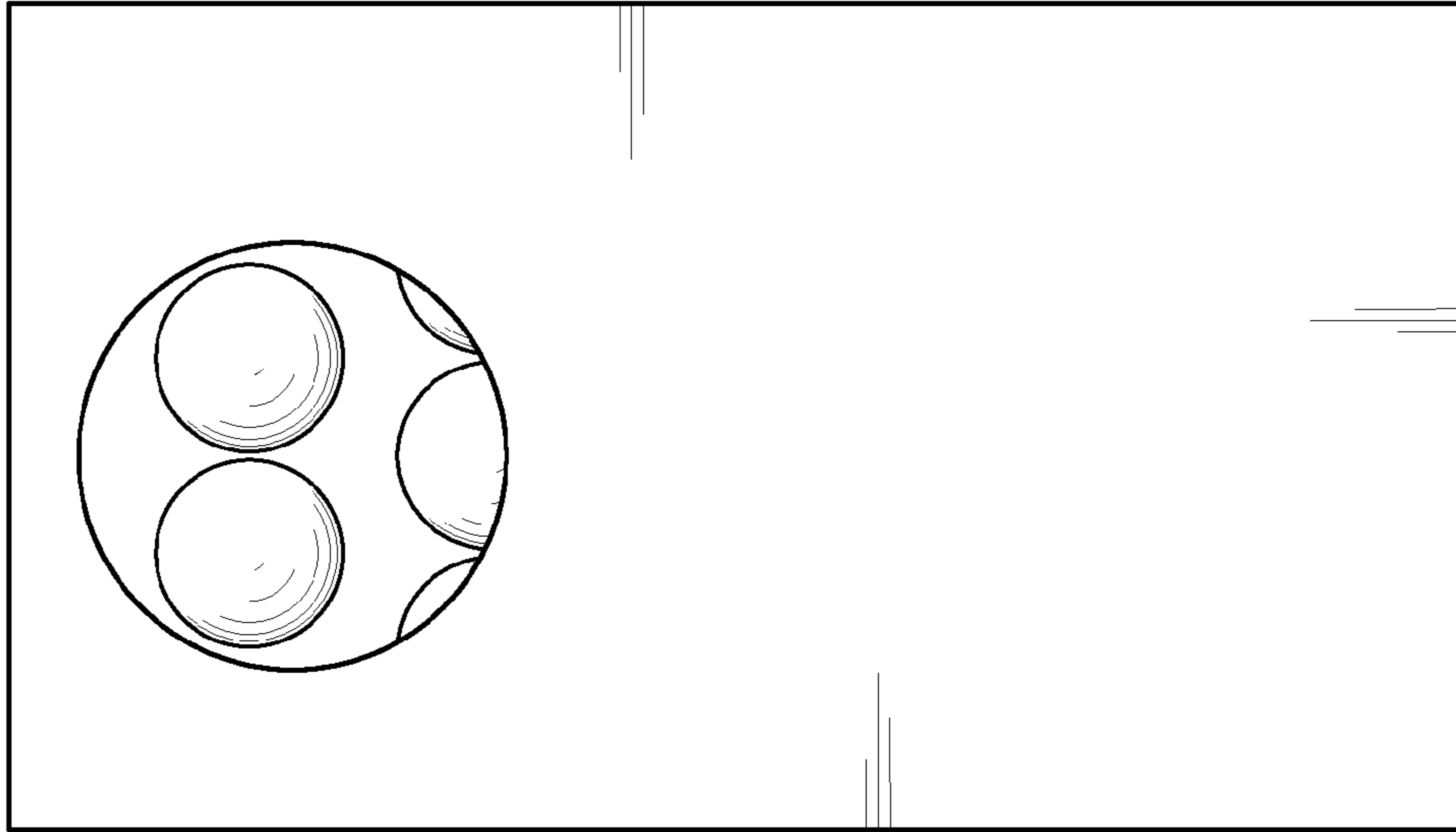


Fig. 9

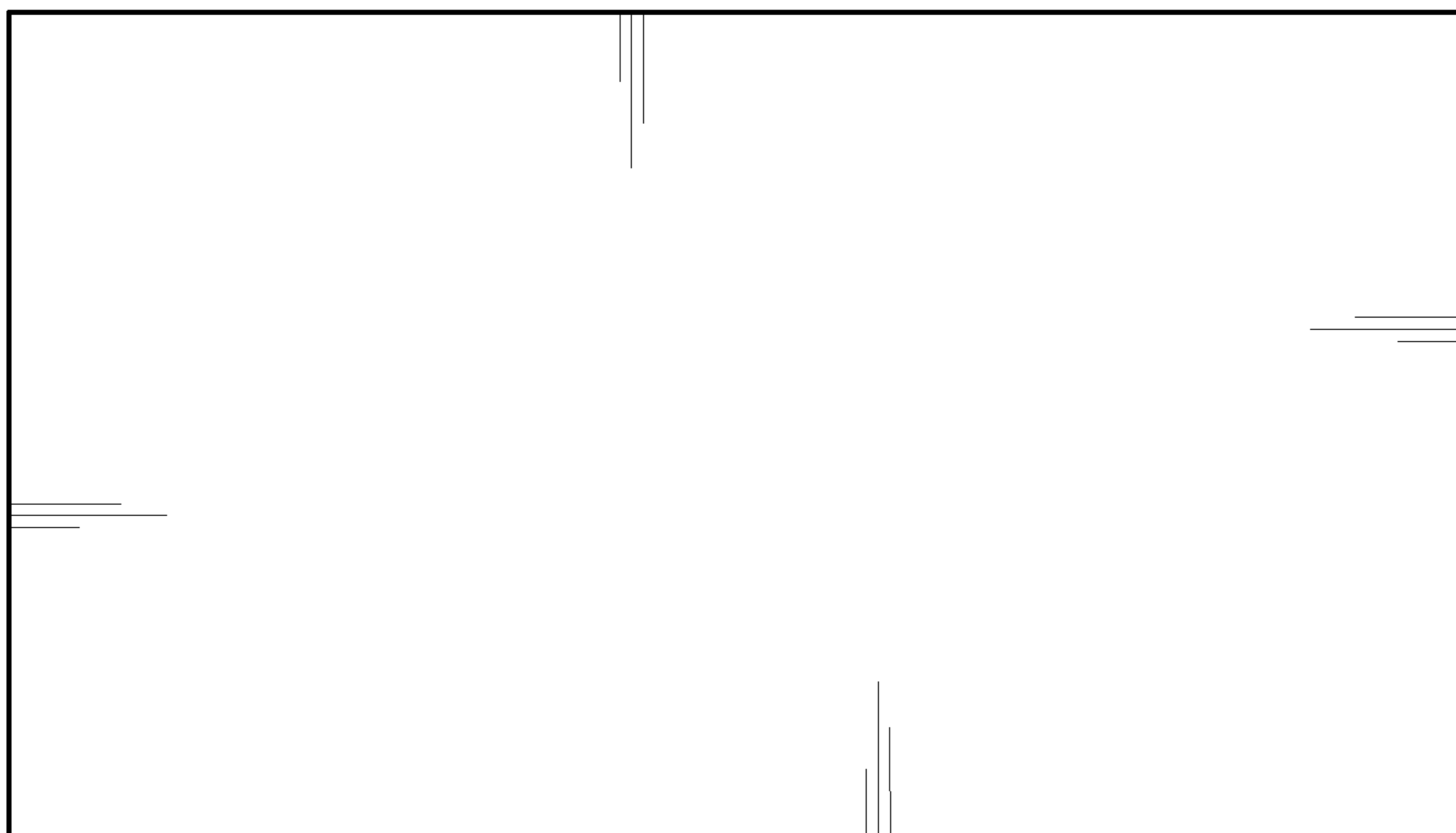


Fig. 10

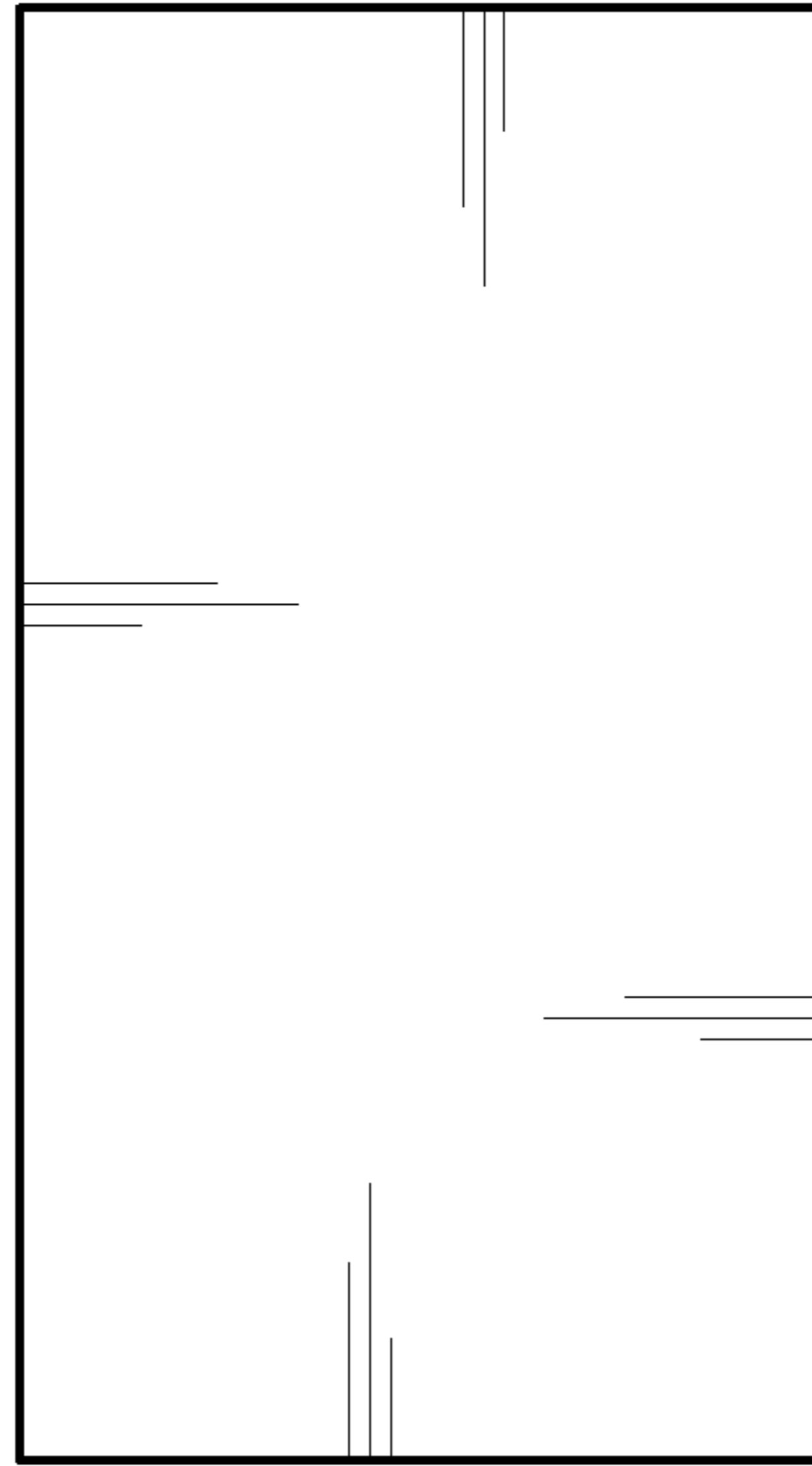


Fig. 11

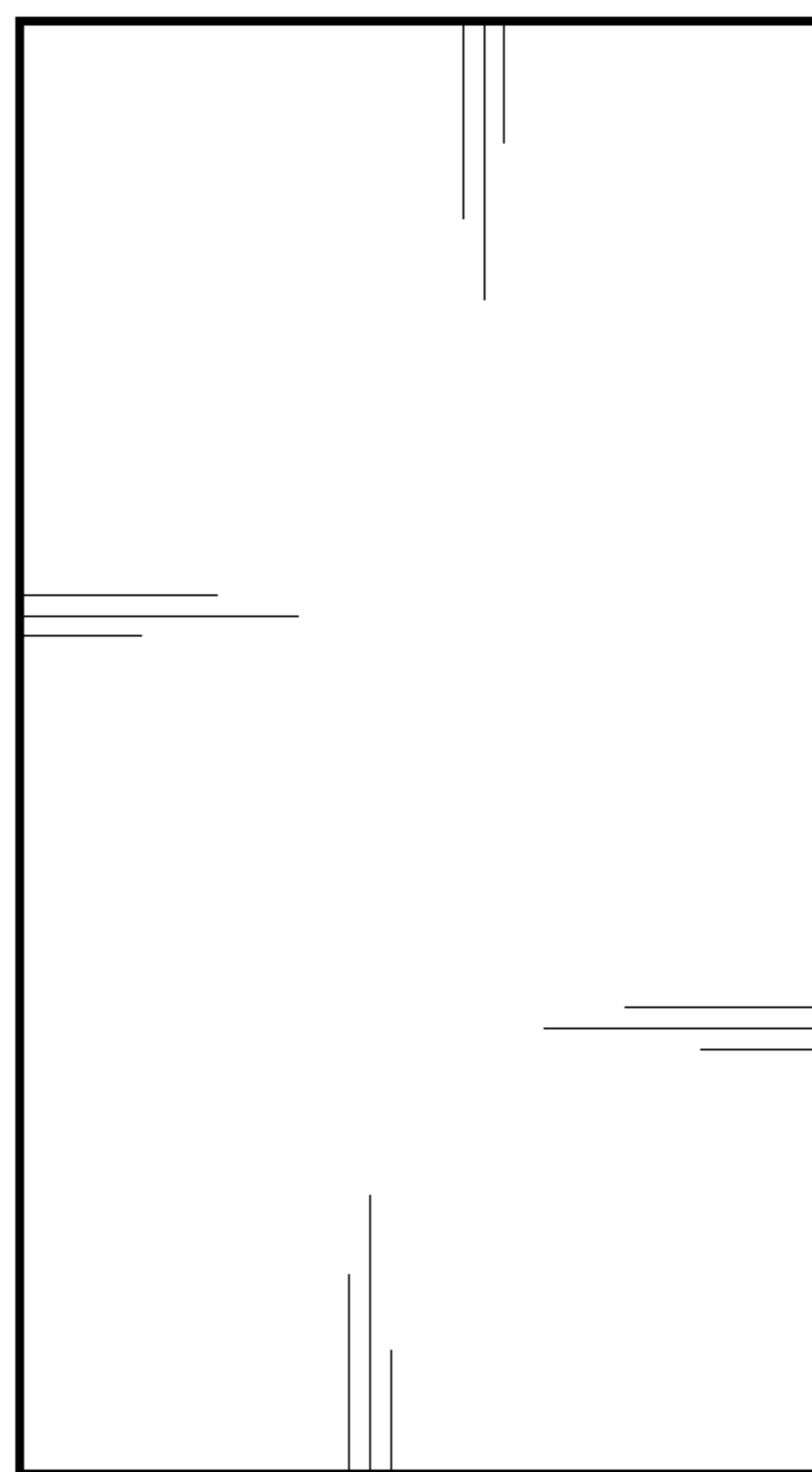


Fig. 12

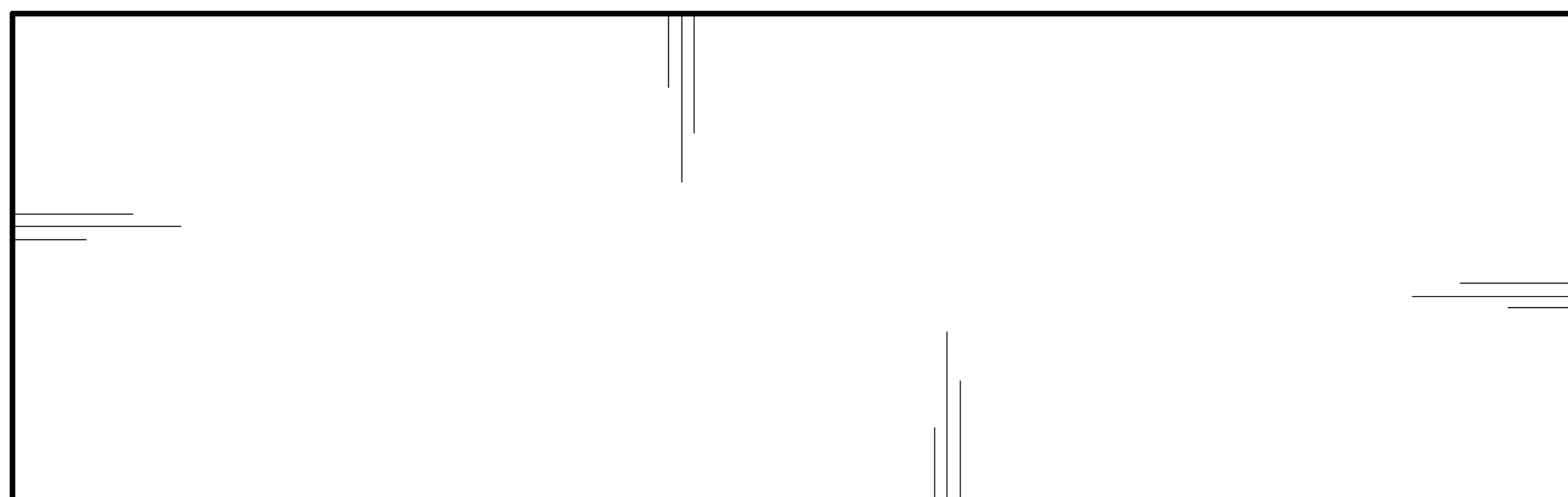


Fig. 13

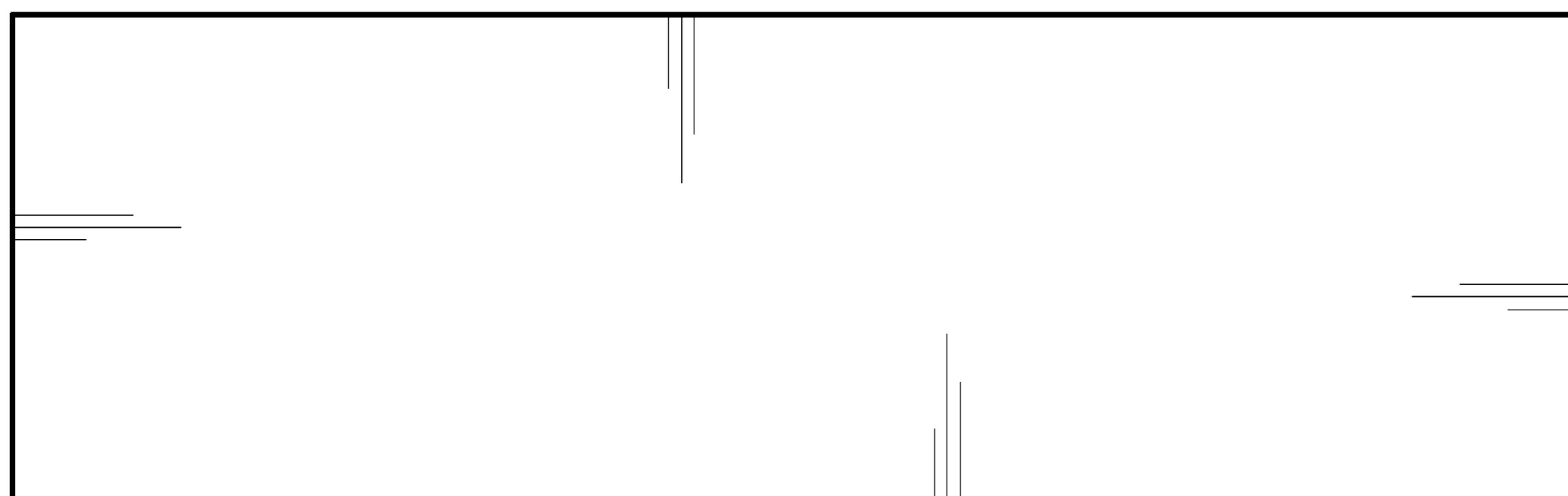


Fig. 14

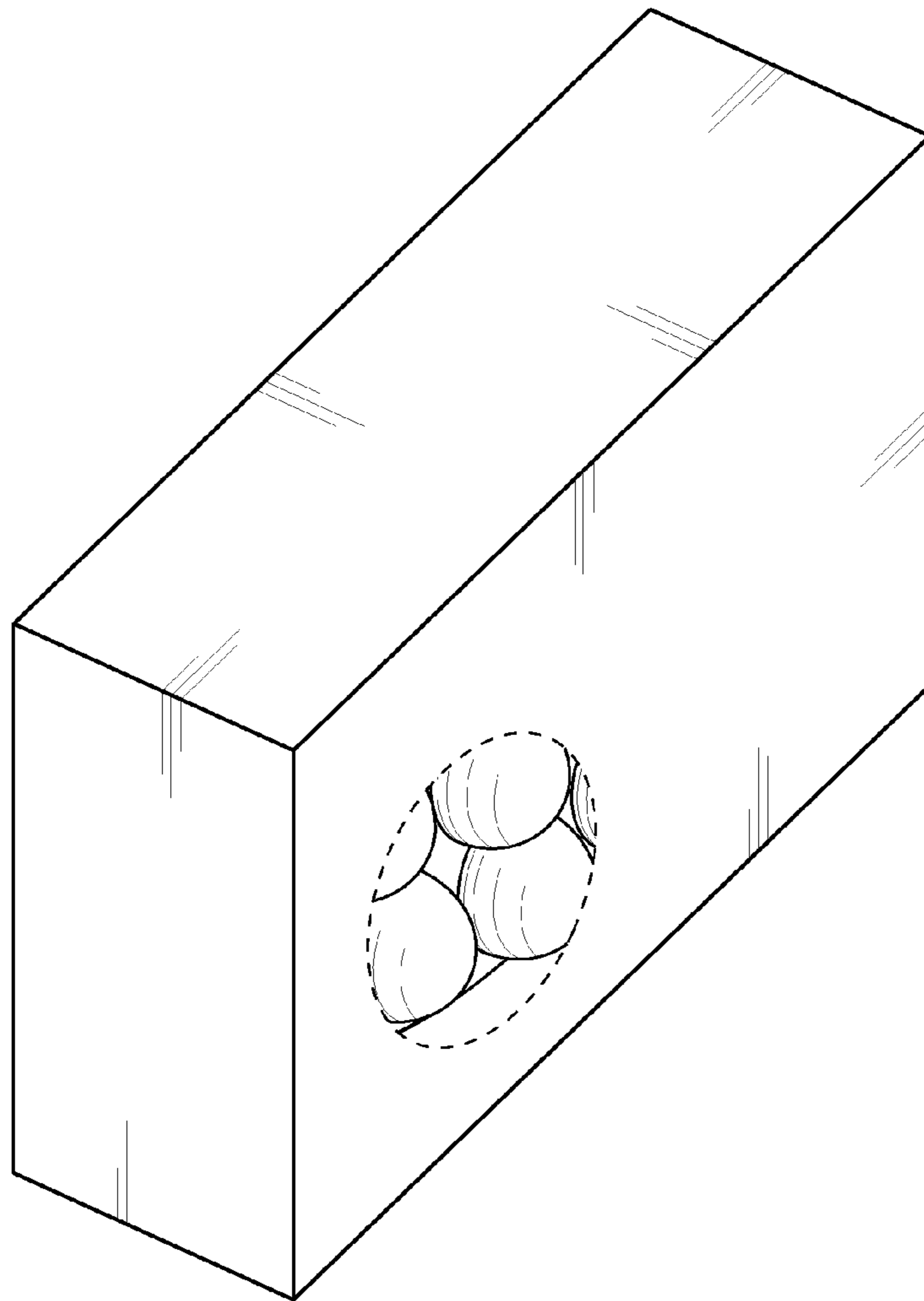


Fig. 15

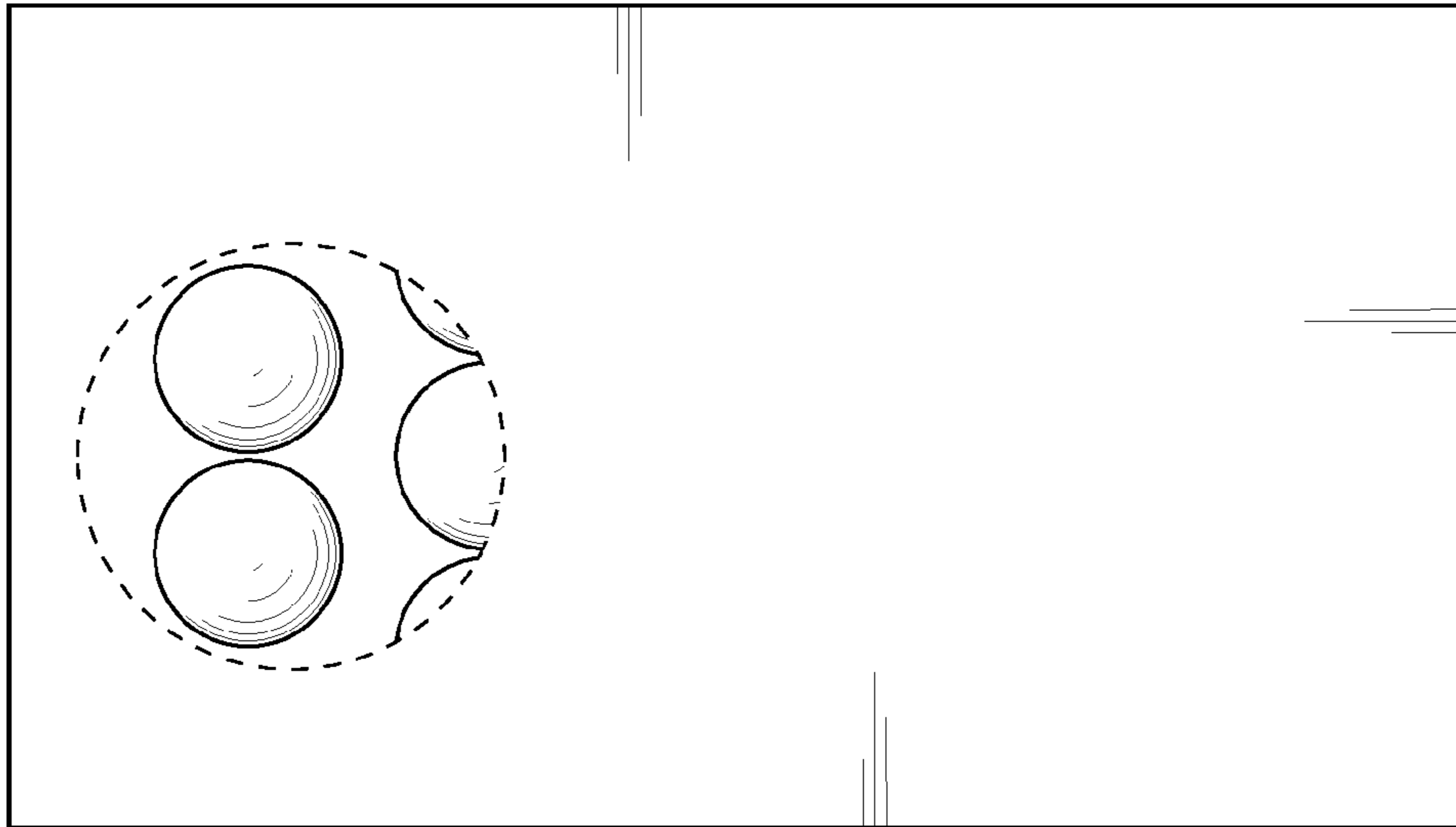


Fig. 16

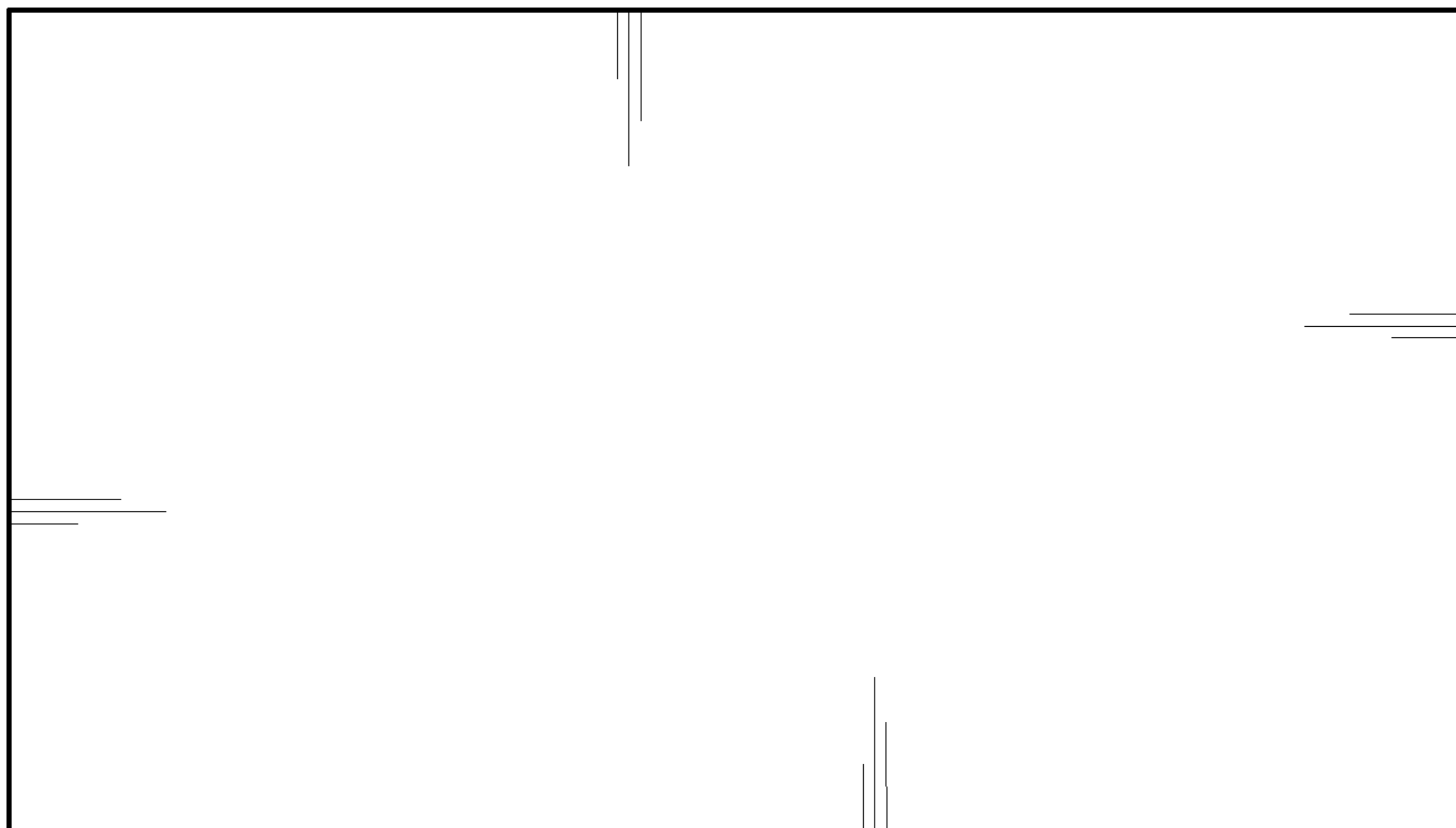


Fig. 17

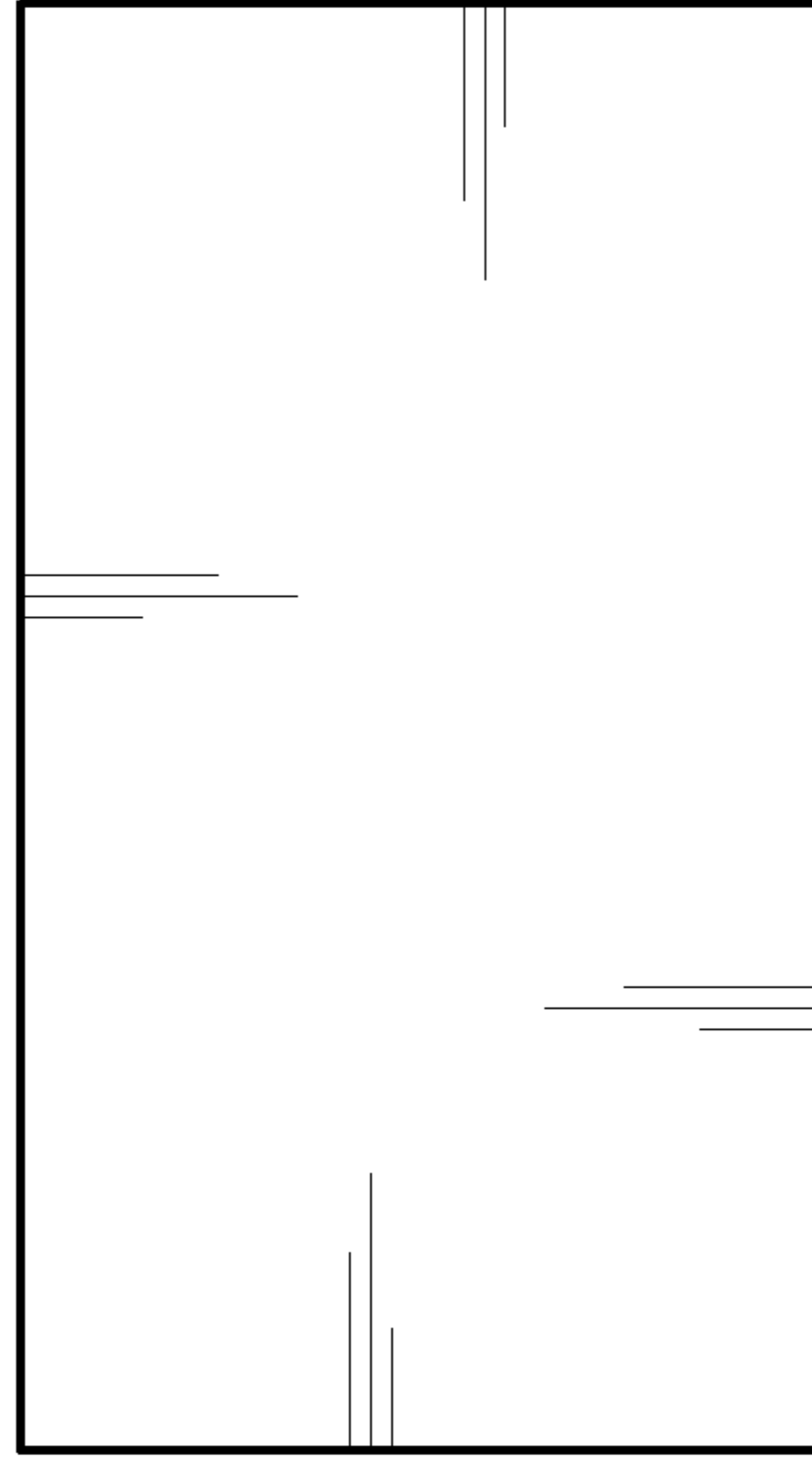


Fig. 18



Fig. 19

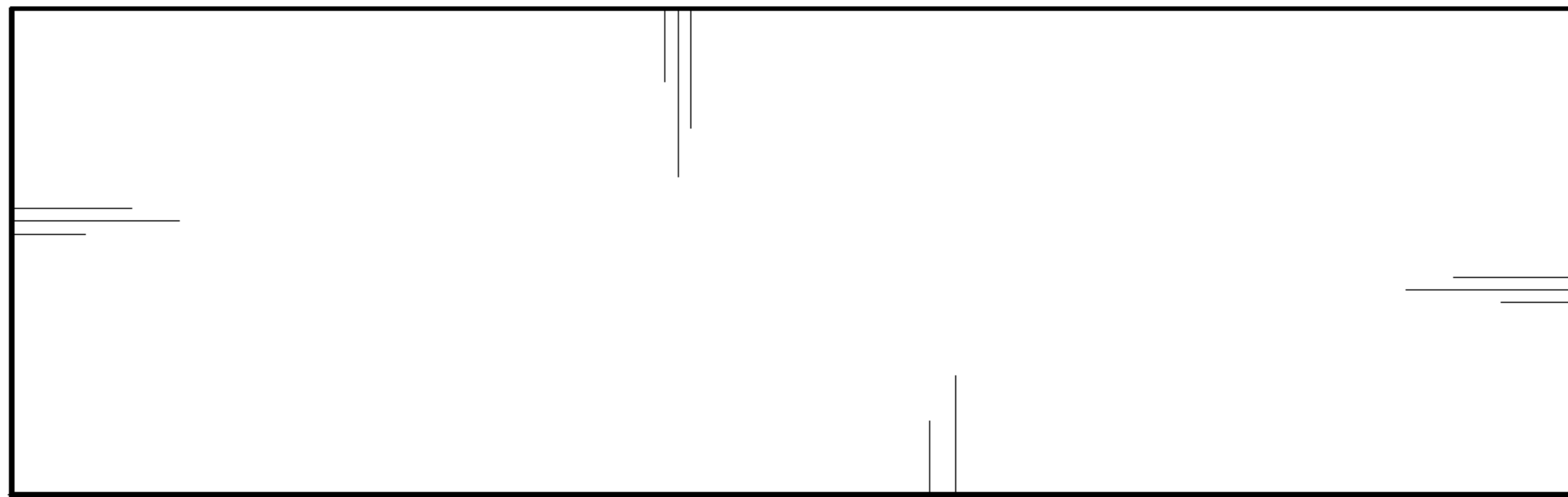


Fig. 20

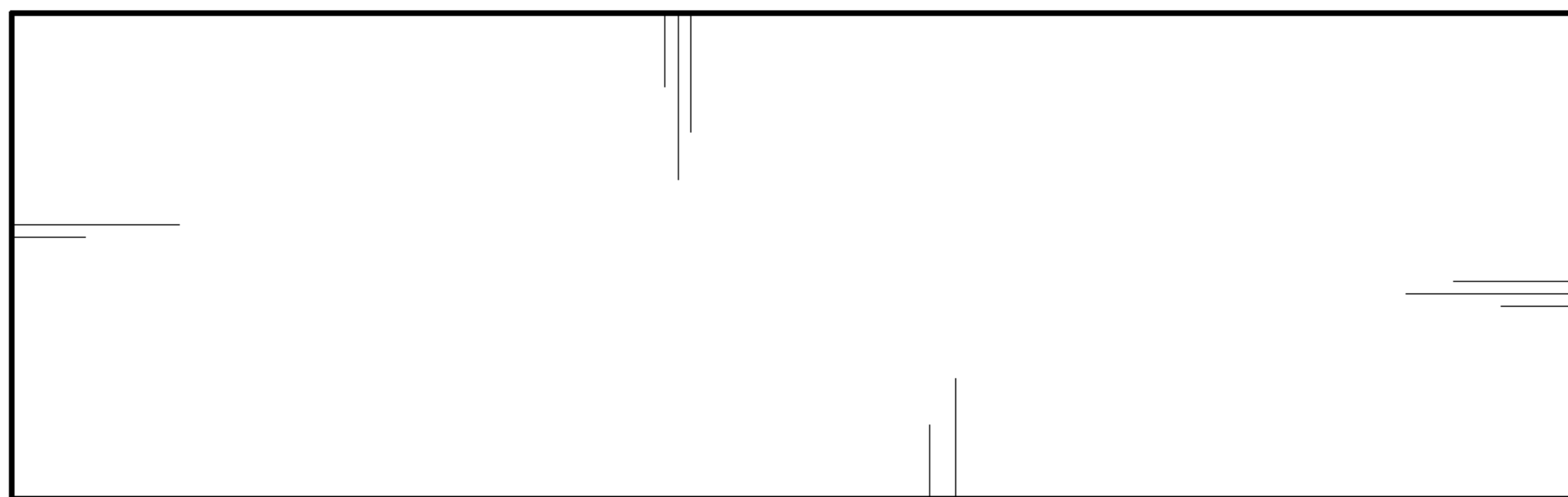


Fig. 21