



US00D671415S

(12) **United States Design Patent**  
**Enciso et al.**

(10) **Patent No.:** **US D671,415 S**

(45) **Date of Patent:** **\*\* Nov. 27, 2012**

(54) **BOTTLE**

(75) Inventors: **Neil Enciso**, Palatine, IL (US); **Nicole Green**, Barrington, IL (US); **Marc T. Wiescinski**, Chicago, IL (US); **Brent Lindberg**, Saint Charles, IL (US)

(73) Assignee: **Tropicana Products, Inc.**, Bradenton, FL (US)

(\*\*) Term: **14 Years**

(21) Appl. No.: **29/428,380**

(22) Filed: **Jul. 30, 2012**

**Related U.S. Application Data**

(62) Division of application No. 29/376,993, filed on Oct. 15, 2010, now Pat. No. Des. 666,915.

(51) **LOC (9) Cl.** ..... **09-01**

(52) **U.S. Cl.** ..... **D9/541; D9/542; D9/560; D9/563; D9/569; D9/574**

(58) **Field of Classification Search** ..... **D9/516, D9/530, 537-544, 546, 550, 552, 556, 560, D9/563, 569, 571, 574-575, 667; 215/381-385**  
See application file for complete search history.

(56) **References Cited**

**U.S. PATENT DOCUMENTS**

D10,407 S	1/1878	Atwater
D31,126 S	7/1899	Henius
D37,641 S	11/1905	Hitzl
D61,415 S	8/1922	Klein
D78,729 S	6/1929	Coster
D83,641 S	3/1931	Panopulo
D87,142 S	6/1932	Barbiers
D87,397 S	7/1932	Marshburn et al.
D95,888 S	6/1935	Adams
D100,560 S	7/1936	Harrison
D127,478 S	3/1940	Brown
D167,085 S	6/1952	Kaufer
D172,089 S	5/1954	Du Pree
3,043,461 A	7/1962	Glassco

D197,864 S	3/1964	Hartland
D200,442 S	2/1965	Lorenzen
D200,499 S	3/1965	Lorenzen
D204,707 S	5/1966	Abbott
D205,798 S	9/1966	Parcels
D205,802 S	9/1966	Pettengill
D208,116 S	7/1967	Landor
D208,953 S	10/1967	Belcher et al.
D209,102 S	10/1967	Linn
D213,421 S	3/1969	Leary
D217,129 S	4/1970	Beeby
D220,030 S	3/1971	Plummer
D220,866 S	6/1971	Weckman
D222,610 S	11/1971	Plummer
D225,155 S	11/1972	Bismarck

(Continued)

**FOREIGN PATENT DOCUMENTS**

CA 120024 3/2008

(Continued)

*Primary Examiner* — Carol P Rademaker

(74) *Attorney, Agent, or Firm* — Banner & Witcoff, Ltd.

(57) **CLAIM**

The ornamental design for a bottle, as shown and described.

**DESCRIPTION**

FIG. 1 is a top, front, right perspective view of a bottle showing our new design;

FIG. 2 is a front elevational view thereof;

FIG. 3 is a rear elevational view thereof;

FIG. 4 is a right side elevational view thereof;

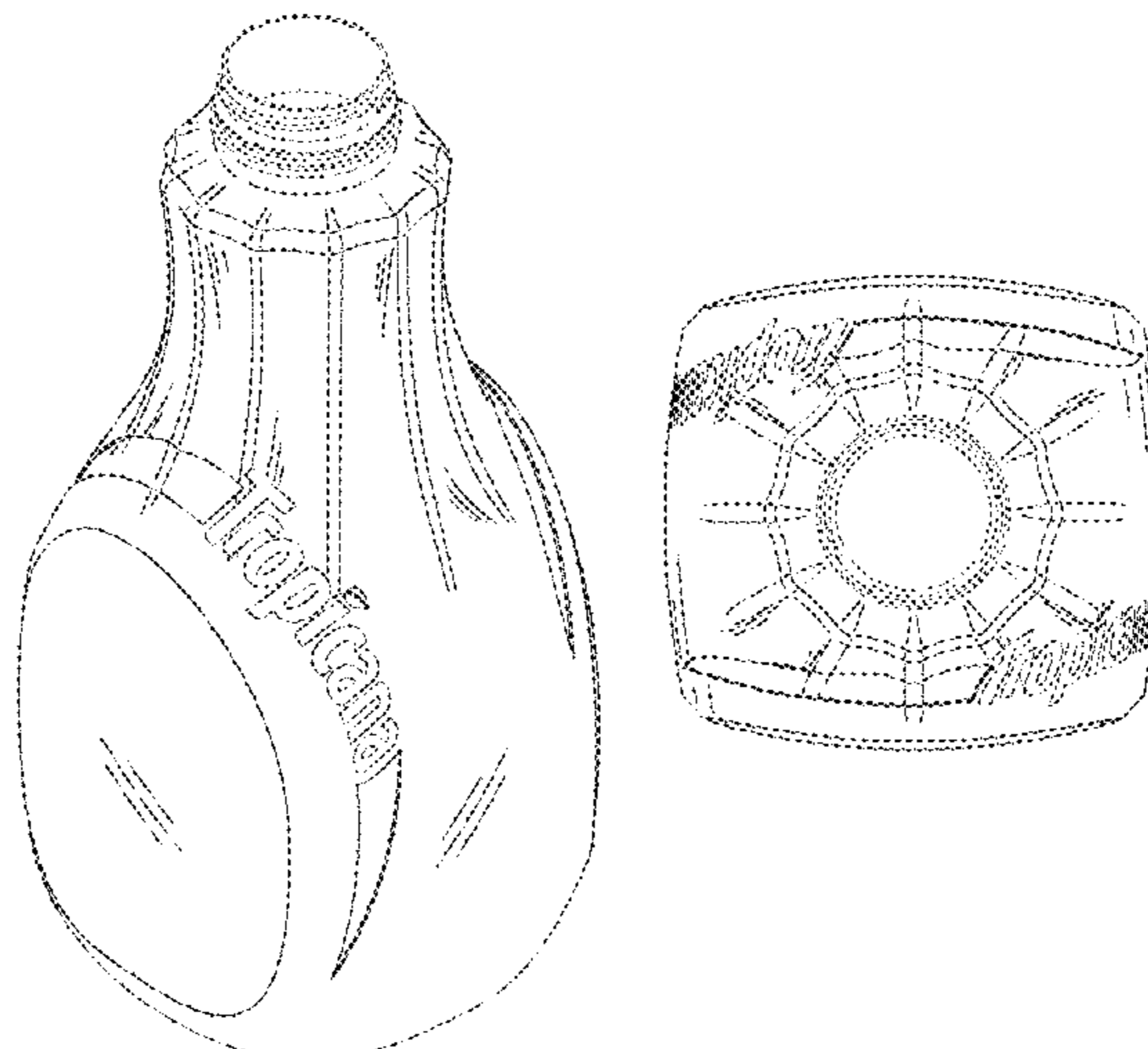
FIG. 5 is a left side elevational view thereof;

FIG. 6 is a top plan view thereof; and,

FIG. 7 is a bottom plan view thereof.

The dot-dash-dot-dash-dot-dash-type broken lines shown in the drawing views define the boundaries of the claimed design. The dash-dash-dash-type broken lines shown in the drawing views are included for the purpose of illustrating environmental structure and form no part of the claimed design.

**1 Claim, 6 Drawing Sheets**



# US D671,415 S

U.S. PATENT DOCUMENTS					
D226,552 S	3/1973	Smythe	6,997,336 B2	2/2006	Yourist et al.
D230,689 S	3/1974	Schweitzer	D517,416 S	3/2006	Borgerson
D233,828 S	12/1974	Leary	D523,344 S	6/2006	Toth et al.
D236,801 S	9/1975	Waring	D525,141 S	7/2006	Beard et al.
D237,777 S	11/1975	McDonald	D527,645 S	9/2006	Pedmo et al.
D238,555 S	1/1976	Blank	D531,510 S	11/2006	Kazuo et al.
D239,816 S	5/1976	Thomas	D532,308 S	11/2006	Davies et al.
D242,841 S	12/1976	Kretz	D533,074 S	12/2006	Mongeon et al.
D247,221 S	2/1978	Landor et al.	D536,619 S	2/2007	Heisner
D247,471 S	3/1978	Strand	D537,339 S	2/2007	Blasko et al.
D248,832 S	8/1978	Weckman	D538,662 S	3/2007	Goetz et al.
D249,121 S	8/1978	Strand	D539,158 S	3/2007	Miller et al.
D255,650 S	7/1980	Britt	D539,159 S	3/2007	Slat et al.
D258,802 S	4/1981	Beaver	D539,658 S	4/2007	Slat
D263,282 S	3/1982	Jacobson	D540,178 S	4/2007	Stewart
D265,058 S	6/1982	Ewry	D543,112 S *	5/2007	Bridgman et al. .... D9/516
D265,975 S	8/1982	Vaussanvin	D543,460 S	5/2007	Perry et al.
D270,711 S	9/1983	Weckman	D543,851 S	6/2007	Franic
D271,282 S	11/1983	Thrush	D545,211 S	6/2007	Armstrong et al.
D271,855 S	12/1983	Thrush	D546,130 S *	7/2007	Morales ..... D7/608
D282,894 S	3/1986	Watson et al.	D547,665 S	7/2007	Lepoitevin
D284,167 S	6/1986	Goettner	D548,092 S	8/2007	Klemm
D284,549 S	7/1986	Vaussanvin	D551,080 S	9/2007	Pedmo et al.
D289,979 S	5/1987	Crawford	D551,565 S *	9/2007	Wouters et al. .... D9/704
D304,550 S	11/1989	Demarest	D551,964 S	10/2007	Blasko et al.
D304,906 S	12/1989	Panella	D551,965 S	10/2007	Blasko et al.
D310,964 S	10/1990	Weckman	D553,988 S	10/2007	Perry et al.
5,037,684 A	8/1991	Dundas et al.	D554,997 S	11/2007	Perry et al.
D321,478 S	11/1991	Sassoli	D554,998 S	11/2007	Perry et al.
D325,751 S	4/1992	Futino	D555,001 S	11/2007	Perry et al.
D327,010 S	6/1992	Spiegel	D555,003 S	11/2007	Perry et al.
D329,817 S	9/1992	Best	D555,487 S	11/2007	Perry et al.
D340,646 S	10/1993	Jeanjean	D555,500 S	11/2007	Johnston et al.
D346,555 S	5/1994	Binder	D563,225 S *	3/2008	Mongeon et al. .... D9/516
D346,556 S	5/1994	Sirico et al.	D563,792 S	3/2008	Steiger et al.
D354,685 S	1/1995	Krishnakumar et al.	D565,422 S	4/2008	Cowan-Hughes et al.
D365,752 S	1/1996	Flanagan-Boos et al.	D568,170 S	5/2008	Prini
D366,214 S	1/1996	Cooper	D569,728 S *	5/2008	Floyd et al. .... D9/516
D375,900 S	11/1996	DeVore	D570,217 S	6/2008	Meillerais
D384,890 S	10/1997	Goldman	D573,031 S	7/2008	Hestehave
D387,671 S	12/1997	Panella	D576,497 S	9/2008	Ozer
D398,853 S	9/1998	Phillips	D577,593 S	9/2008	Hestehave
D401,157 S	11/1998	Gech et al.	D578,399 S	10/2008	Hestehave
D413,805 S	9/1999	Phillips	D578,401 S	10/2008	Perry et al.
D416,804 S	11/1999	Haas et al.	D578,892 S *	10/2008	Bridgman et al. .... D9/571 X
D419,887 S	2/2000	Dugan	D579,338 S	10/2008	Hestehave
D421,391 S	3/2000	Anderson et al.	D583,612 S	12/2008	Wu et al.
D422,915 S	4/2000	Hestehave et al.	D584,634 S	1/2009	Perez et al.
D425,793 S	5/2000	Walker	D584,955 S	1/2009	Hackl
D426,467 S	6/2000	Harrity et al.	D586,606 S	2/2009	Ma et al.
D426,468 S	6/2000	Harrity et al.	D588,021 S	3/2009	Ziegler et al.
D436,790 S	1/2001	Saltet	D589,802 S *	4/2009	Lablaine ..... D9/516
D447,955 S	9/2001	Beaver et al.	D591,156 S *	4/2009	George et al. .... D9/516
D449,539 S	10/2001	Lakatosh et al.	D591,608 S	5/2009	Marotti et al.
D456,272 S	4/2002	Sadeghi et al.	D594,341 S	6/2009	Casey et al.
D457,437 S	5/2002	Sadeghi et al.	D596,040 S	7/2009	Lepoitevin
D458,145 S	6/2002	Sadeghi et al.	D596,948 S	7/2009	Hackl
D460,695 S	7/2002	Sadeghi et al.	D600,127 S	9/2009	Kuzma et al.
D463,287 S	9/2002	Moore et al.	D600,131 S	9/2009	Perry et al.
D465,150 S	11/2002	Crawford et al.	D601,907 S	10/2009	Gainey et al.
D468,212 S	1/2003	Wasson et al.	D604,172 S	11/2009	Kuzma et al.
D478,289 S	8/2003	Dean et al.	D606,410 S	12/2009	Kissinger et al.
D480,315 S	10/2003	Sadeghi et al.	D610,010 S *	2/2010	Schwartz et al. .... D9/516
D481,951 S	11/2003	Scott, III	D612,234 S *	3/2010	Westemeyer ..... D9/434
D482,972 S	12/2003	Young et al.	D615,870 S	5/2010	Bourne
D486,739 S	2/2004	Taylor et al.	D617,195 S	6/2010	Williams
D488,060 S	4/2004	Yourist	D617,203 S	6/2010	Yourist
D489,218 S	5/2004	Fujii et al.	D621,715 S	8/2010	Schwartz et al.
D489,270 S	5/2004	Crawford	D623,528 S	9/2010	Brandt
D495,186 S	8/2004	Poupel et al.	D623,530 S	9/2010	Ungrady et al.
D498,145 S	11/2004	McLeish	D650,676 S *	12/2011	Schwartz et al. .... D9/516
D505,624 S	5/2005	Helps	D651,084 S *	12/2011	Eaton et al. .... D9/435
D506,674 S	6/2005	Sumiyoshi et al.	D653,086 S *	1/2012	Morales ..... D7/608
D509,435 S	9/2005	Rosson	D655,173 S	3/2012	Enciso et al.
D510,033 S	9/2005	McLeish	D655,174 S	3/2012	Enciso et al.
D512,643 S	12/2005	Busa et al.	D655,198 S *	3/2012	Finlay et al. .... D9/658
			D659,001 S	5/2012	Enciso et al.
			D659,006 S *	5/2012	Wiescinski et al. .... D9/542
			D659,542 S	5/2012	Enciso et al.

# US D671,415 S

Page 3

---

D661,993 S *	6/2012	Denham et al. ....	D9/530			
D664,857 S *	8/2012	Finlay et al. ....	D9/560			
2004/0104195 A1	6/2004	Yourist et al.		CA	124145	2/2009
2009/0065468 A1*	3/2009	Hata et al. ....	215/383			

\* cited by examiner

## FOREIGN PATENT DOCUMENTS

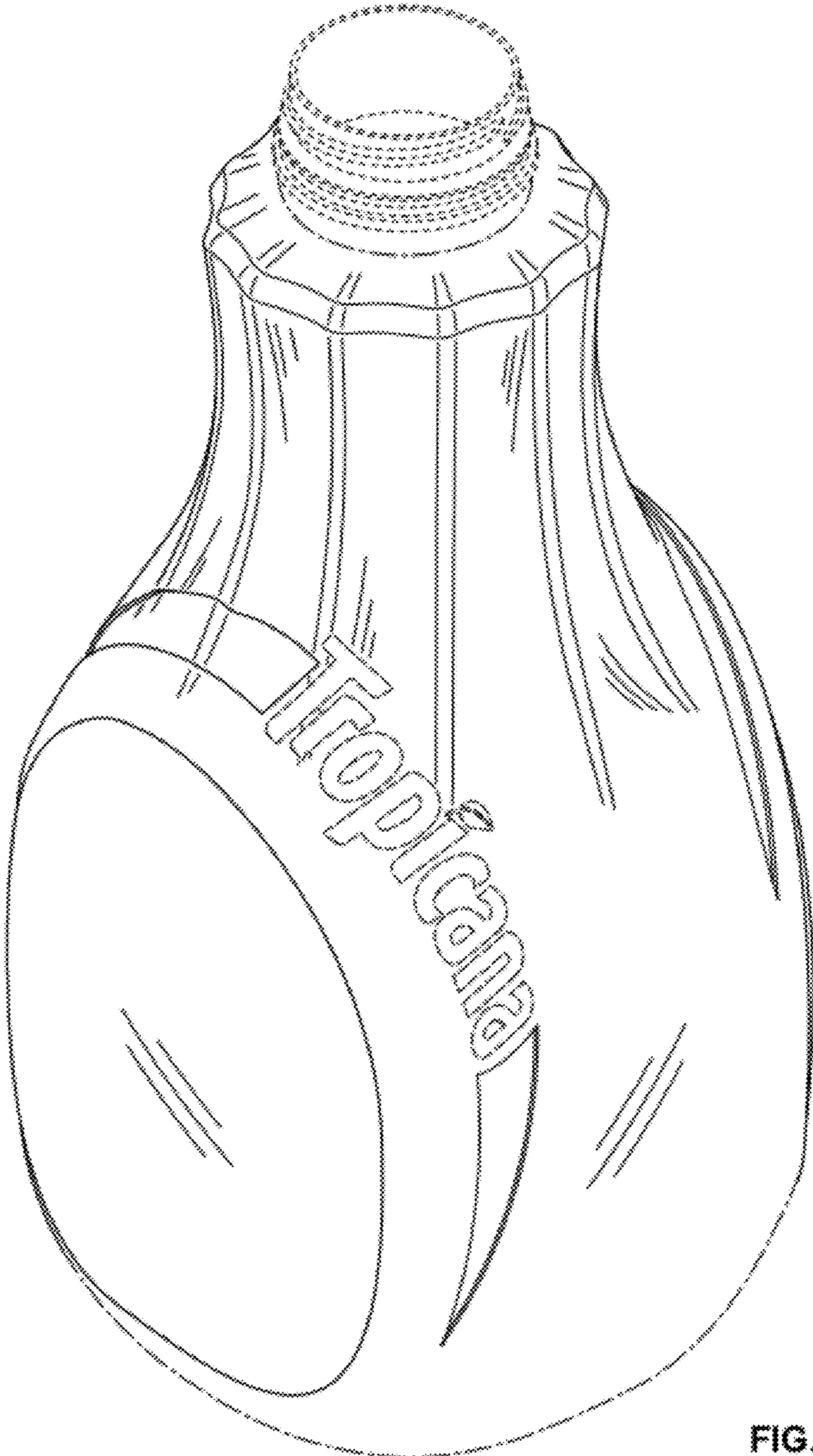


FIG. 1

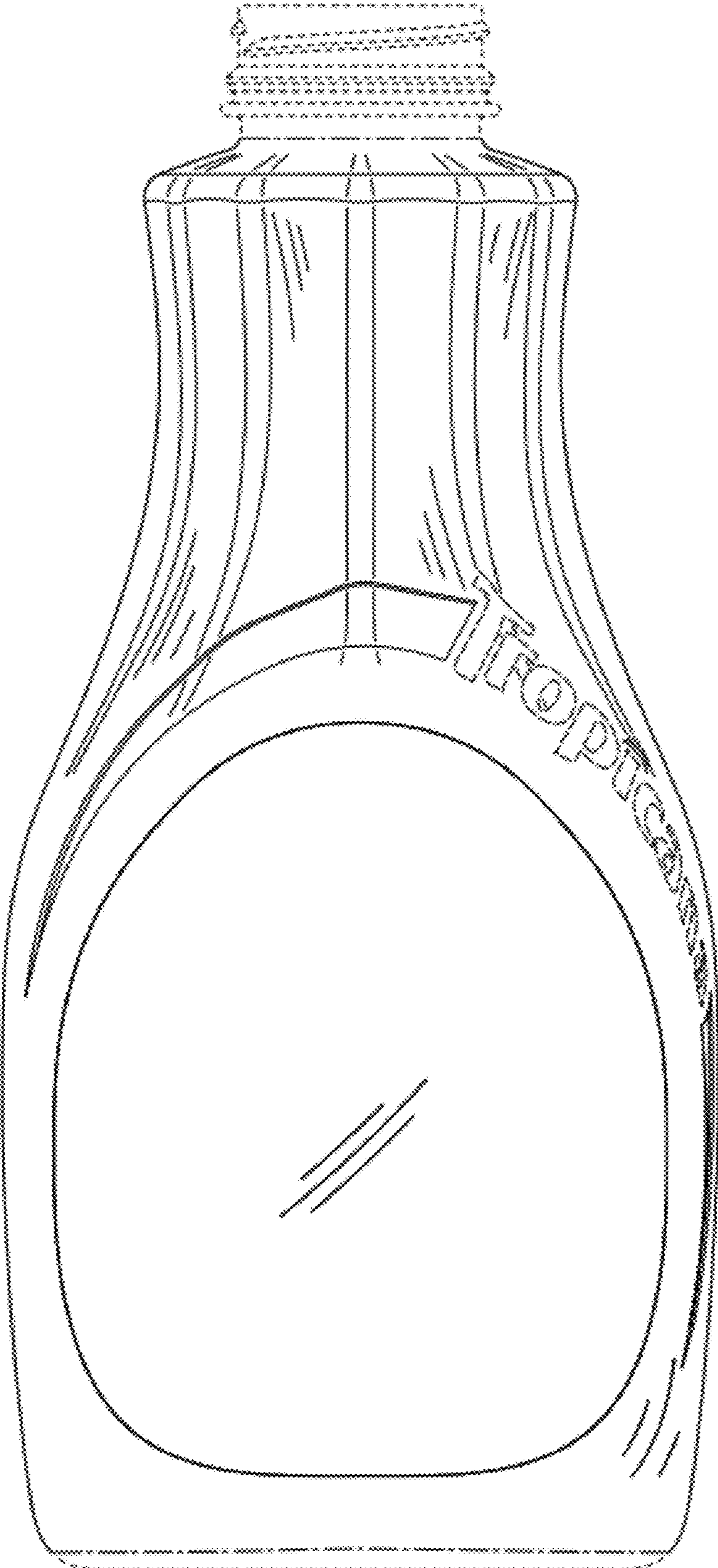


FIG. 2

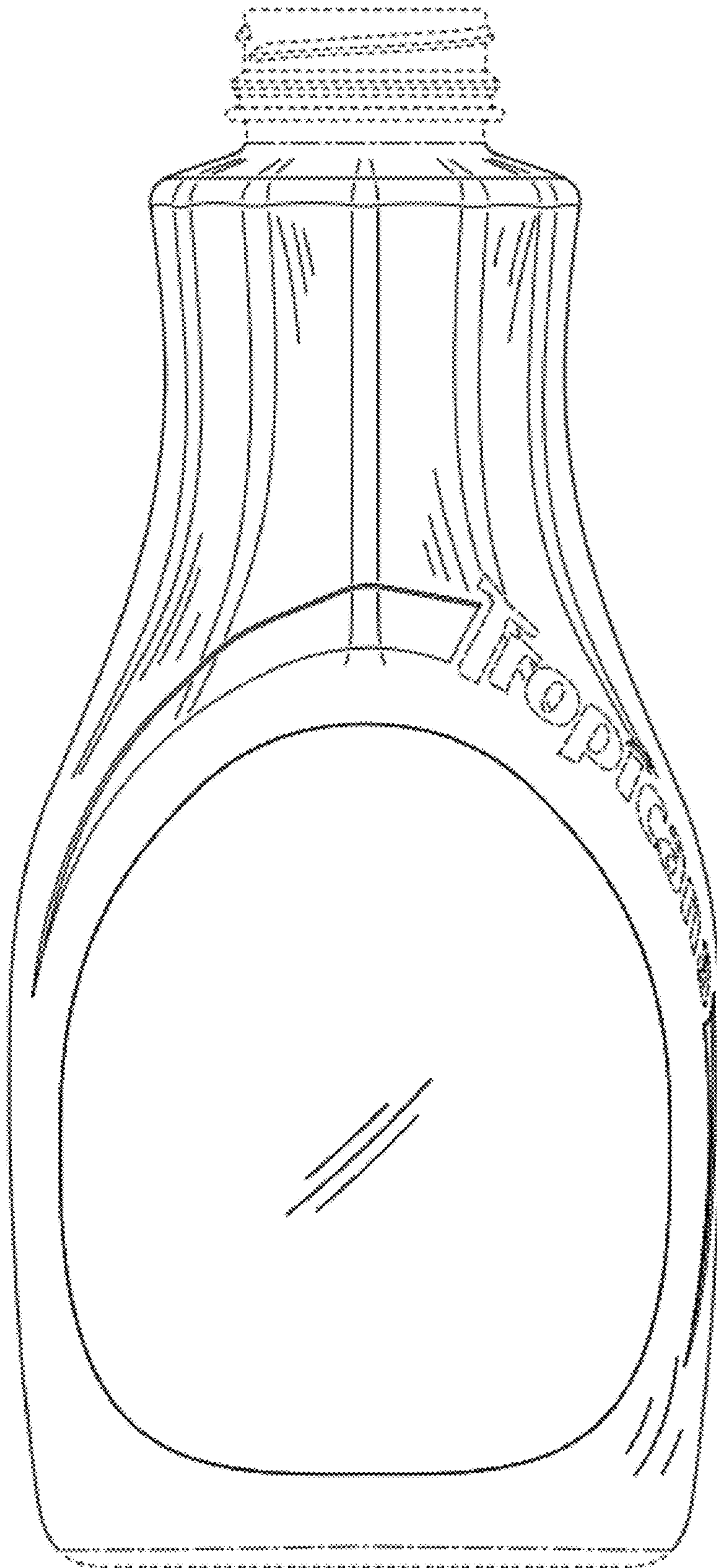


FIG. 3



FIG. 4

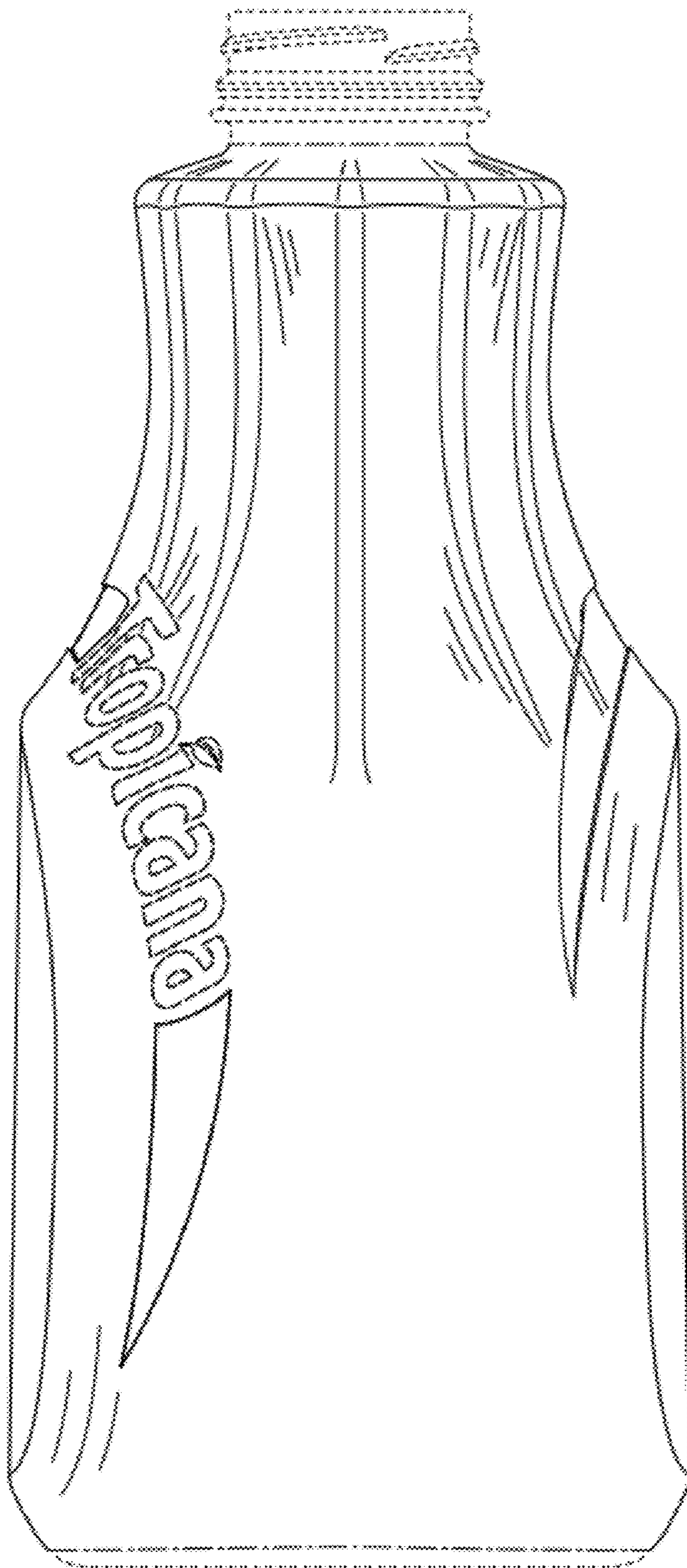


FIG. 5



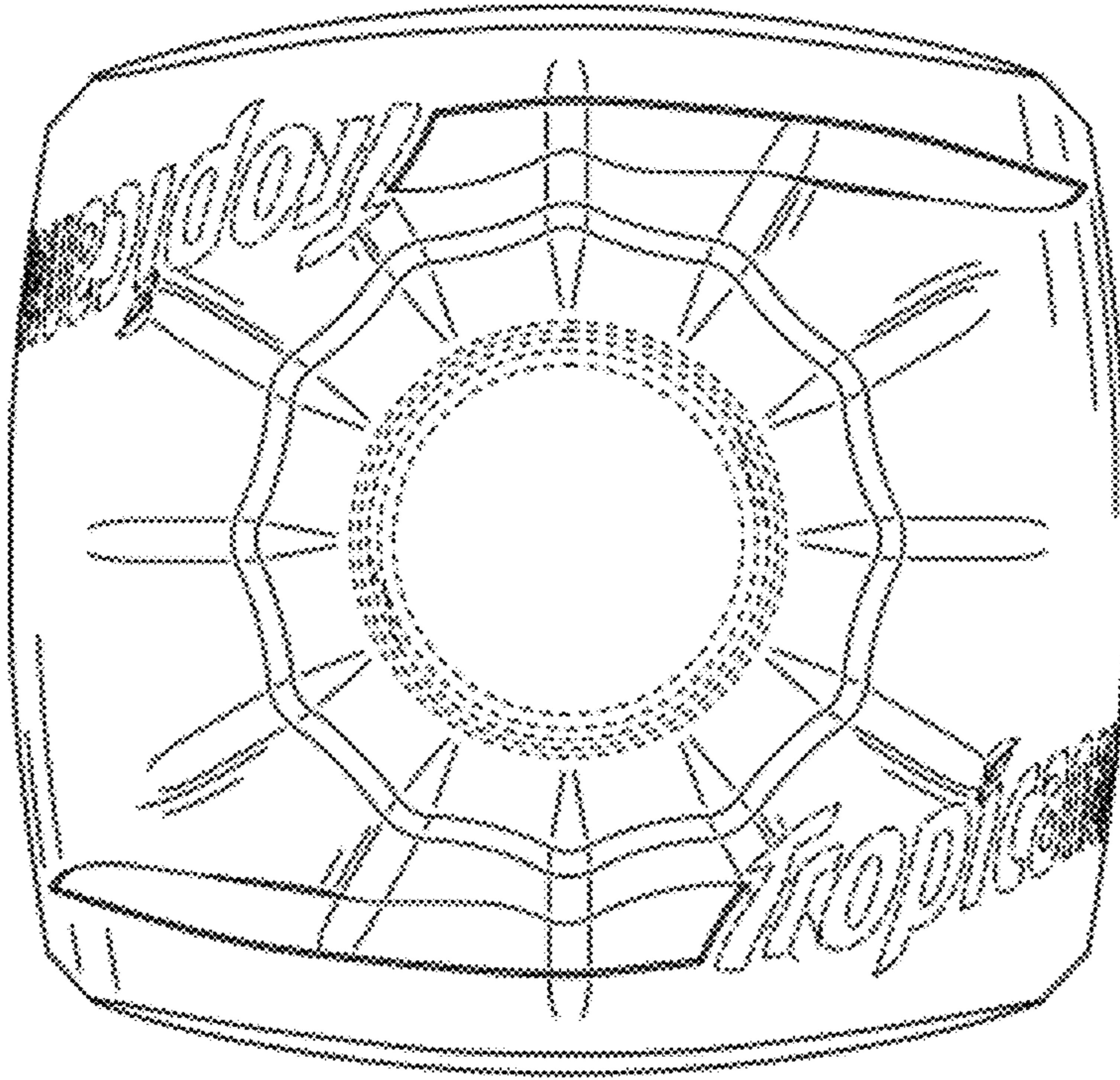


FIG. 6

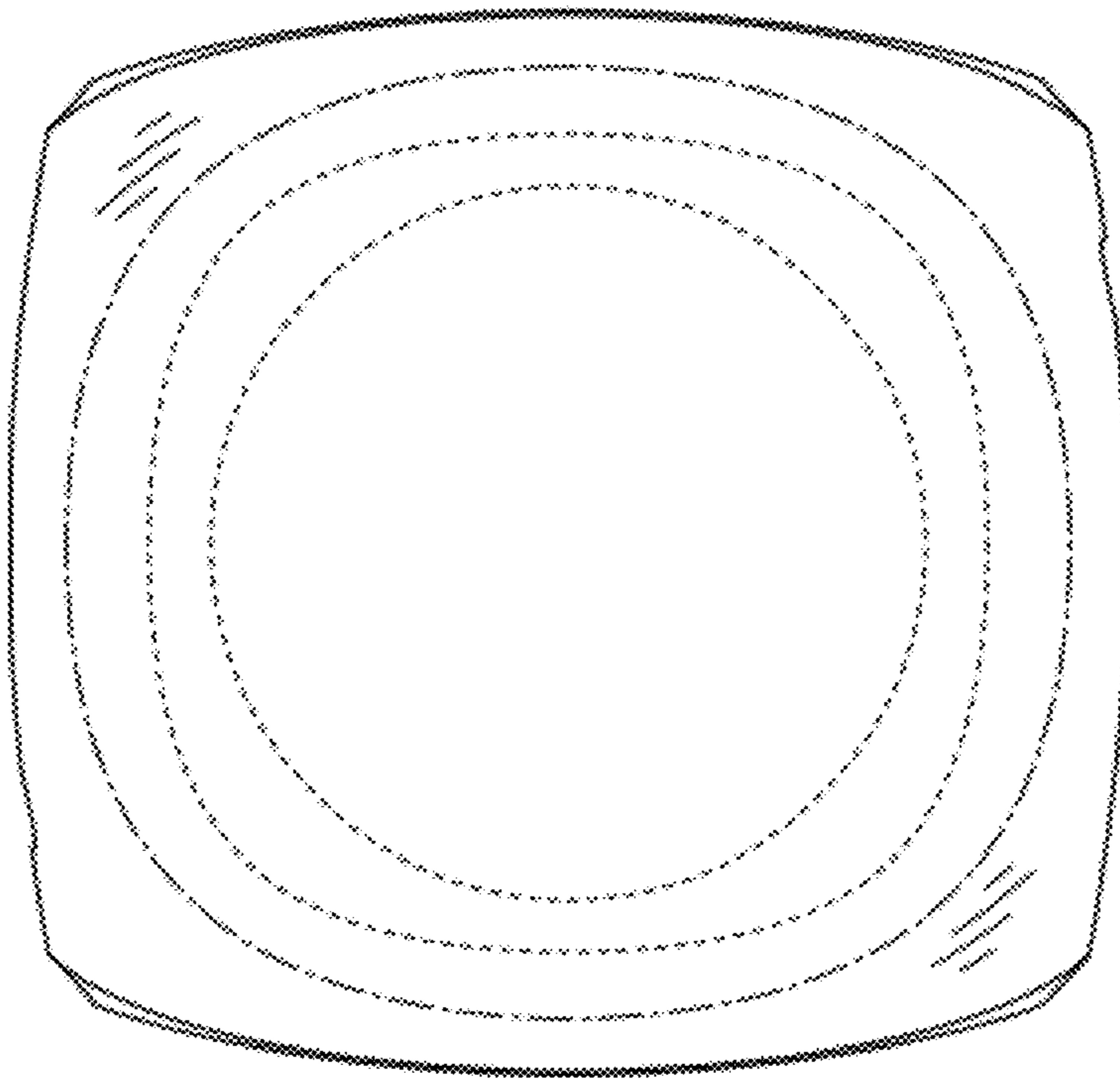


FIG. 7