



US00D671410S

(12) **United States Design Patent**  
**Asakawa**

(10) **Patent No.:** **US D671,410 S**

(45) **Date of Patent:** **\*\* Nov. 27, 2012**

(54) **PACKAGING CONTAINER**

(75) Inventor: **Akemi Asakawa**, Tokyo (JP)

(73) Assignee: **Kose Corporation**, Tokyo (JP)

(\*\*) Term: **14 Years**

(21) Appl. No.: **29/405,401**

(22) Filed: **Nov. 2, 2011**

(30) **Foreign Application Priority Data**

Aug. 18, 2011 (JP) ..... 2011-018793

(51) **LOC (9) Cl.** ..... **09-01**

(52) **U.S. Cl.** ..... **D9/519; D9/545; D9/546; D9/556**

(58) **Field of Classification Search** ..... D9/500,  
D9/502-505, 516, 519, 544-546, 549, 558,  
D9/575, 559, 682, 686-694, 552, 556, 571,  
D9/573; D7/300, 598; D19/93; D28/91.1;  
215/379, 381-382; 220/660, 662, 669-673,  
220/675

See application file for complete search history.

(56) **References Cited**

**U.S. PATENT DOCUMENTS**

D73,278 S \* 8/1927 Brewster ..... D9/661  
D87,302 S \* 7/1932 Fuerst ..... D9/556  
D92,185 S \* 5/1934 Lindemann ..... D9/556

D211,079 S \* 5/1968 Du Pree ..... D7/300  
D230,954 S \* 3/1974 Gregoriette ..... D9/504  
D249,121 S \* 8/1978 Strand ..... D9/556  
D271,855 S \* 12/1983 Thrush ..... D9/520  
D338,157 S \* 8/1993 Desgrippes ..... D9/663  
D416,806 S \* 11/1999 Zimmer et al. .... D9/552  
D596,489 S \* 7/2009 Weiss ..... D9/519

\* cited by examiner

*Primary Examiner* — Dana L Meyrow

(74) *Attorney, Agent, or Firm* — Bacon & Thomas PLLC

(57) **CLAIM**

The ornamental design for packaging container, as shown and described.

**DESCRIPTION**

FIG. 1 is an upper perspective view of my design for packaging container;

FIG. 2 is a front elevation view thereof, with the section lines not forming part of the design;

FIG. 3 is a top plan view thereof;

FIG. 4 is a bottom view thereof;

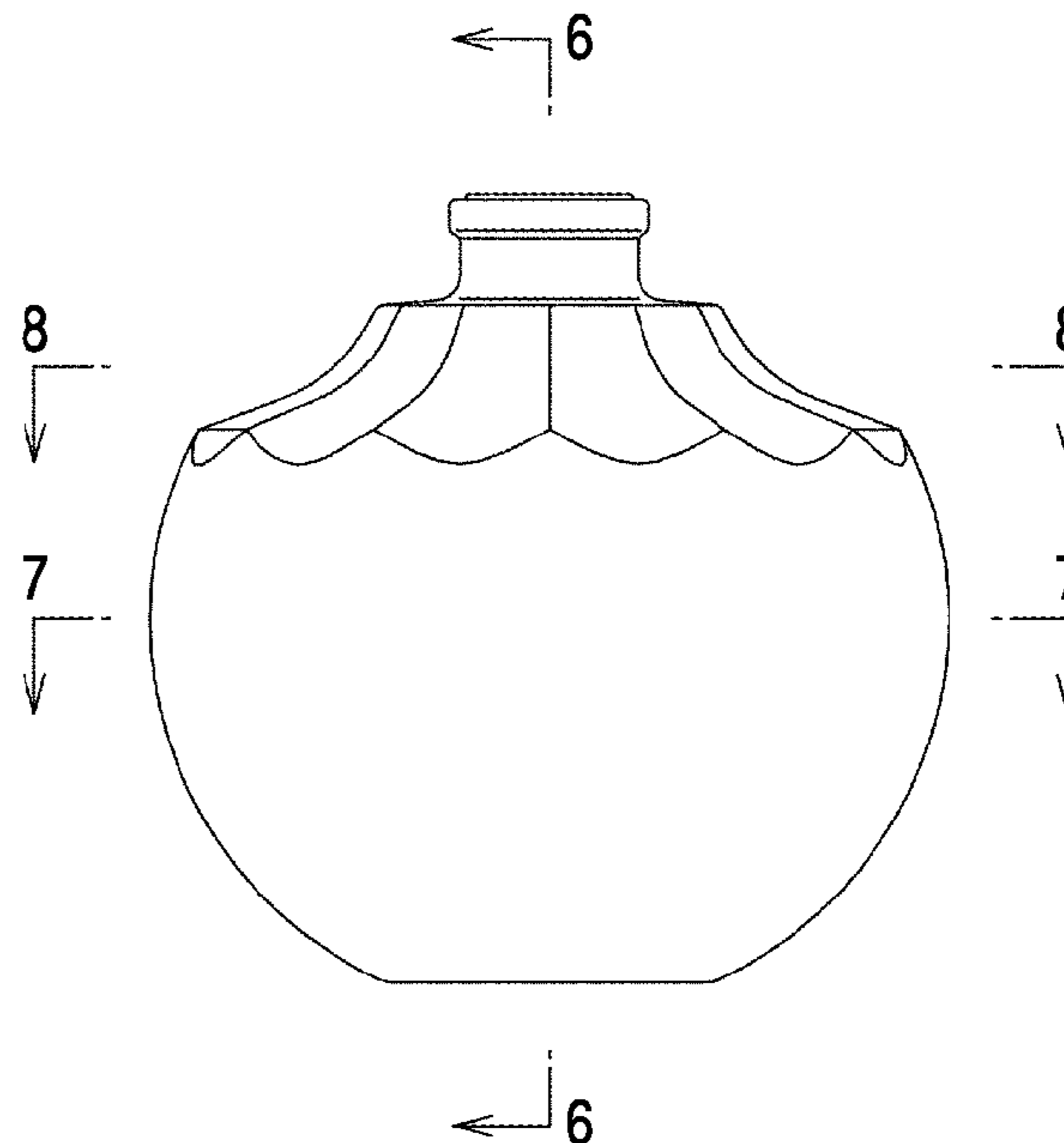
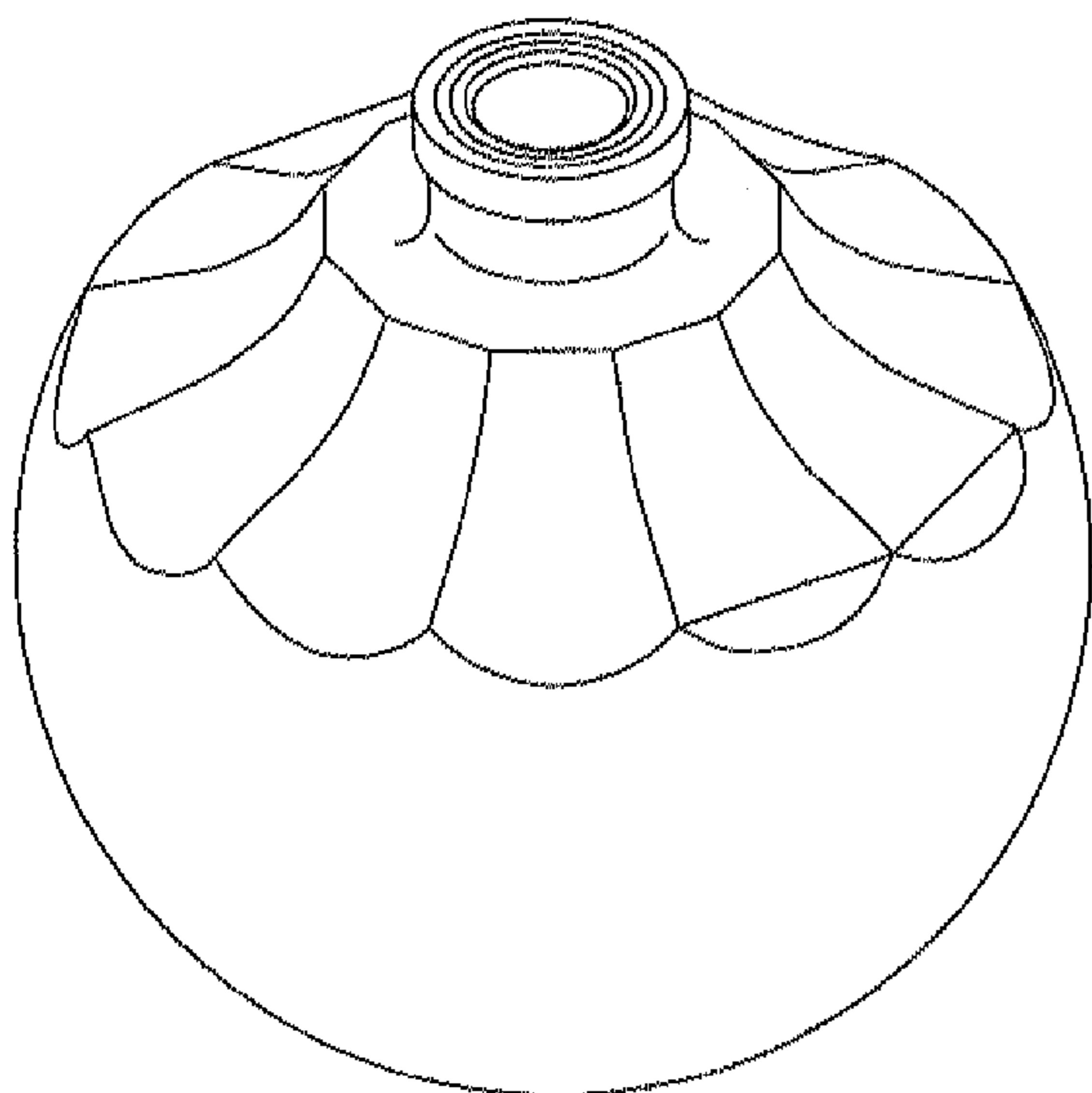
FIG. 5 is a right side view thereof, the left side being a mirror image thereof;

FIG. 6 is a cross-section view taken along line 6-6 of FIG. 2;

FIG. 7 is a cross-section view taken along line 7-7 of FIG. 2; and,

FIG. 8 is a cross-section view taken along line 8-8 of FIG. 2.

**1 Claim, 8 Drawing Sheets**



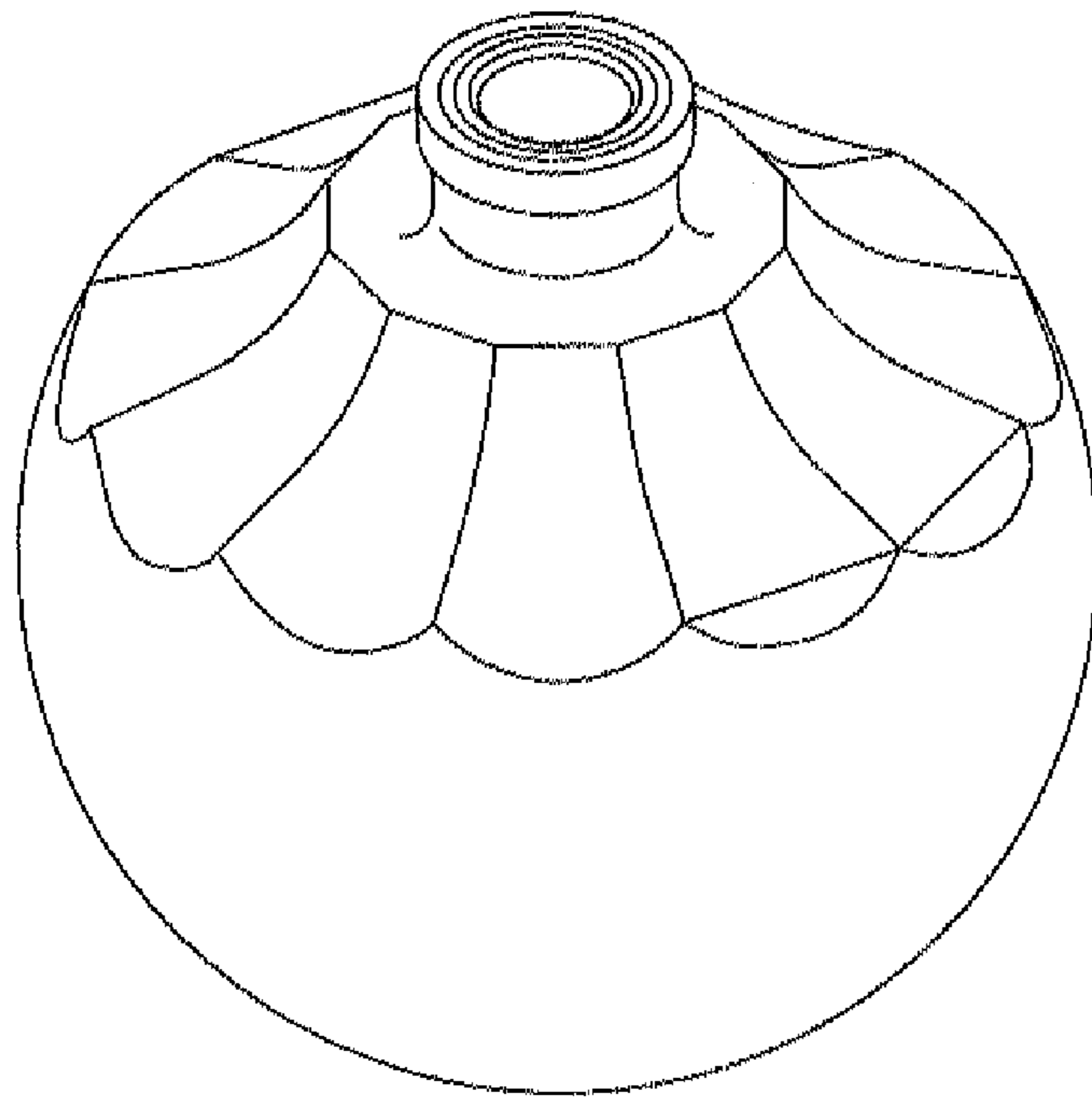


FIG. 1

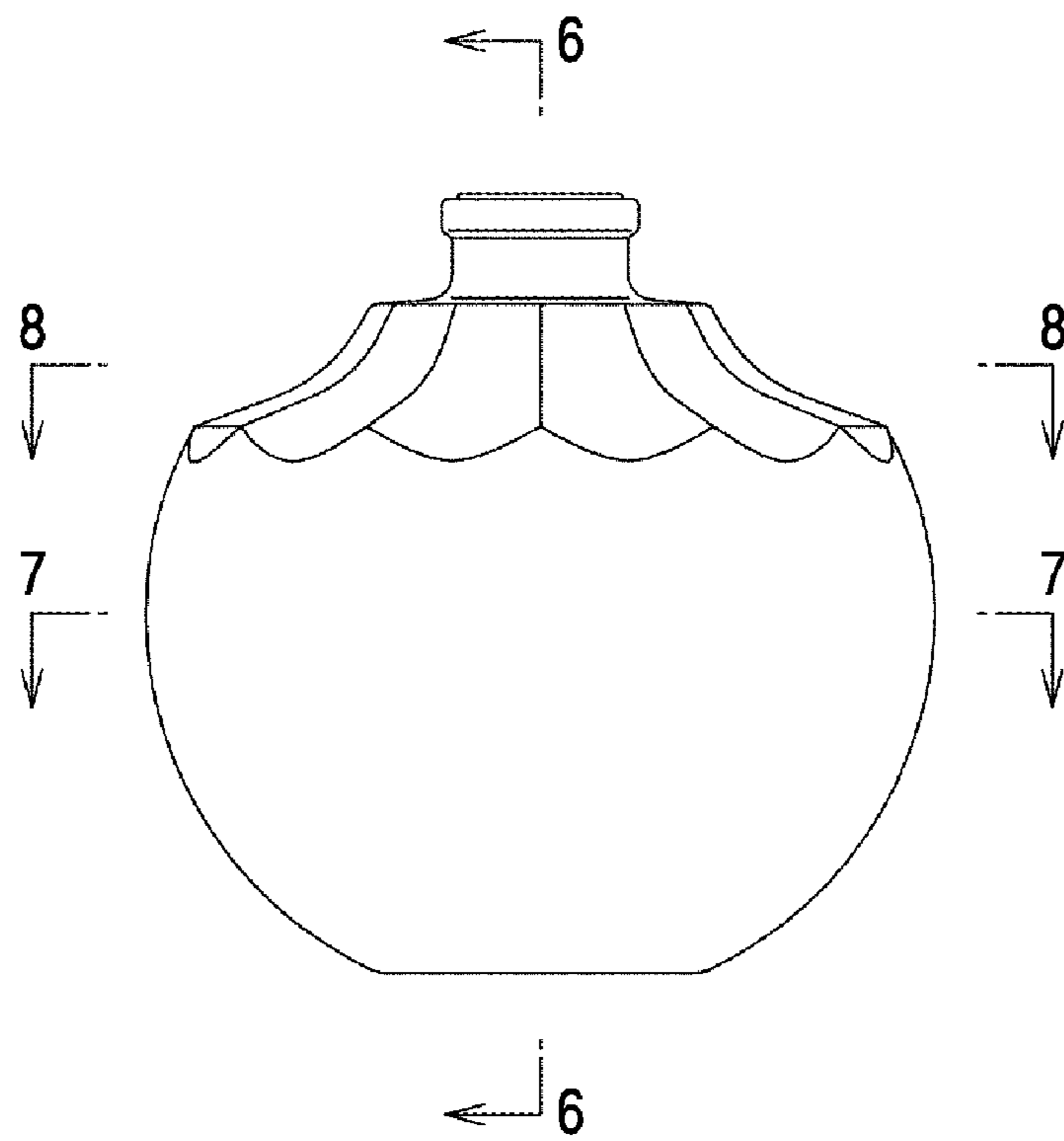


FIG. 2

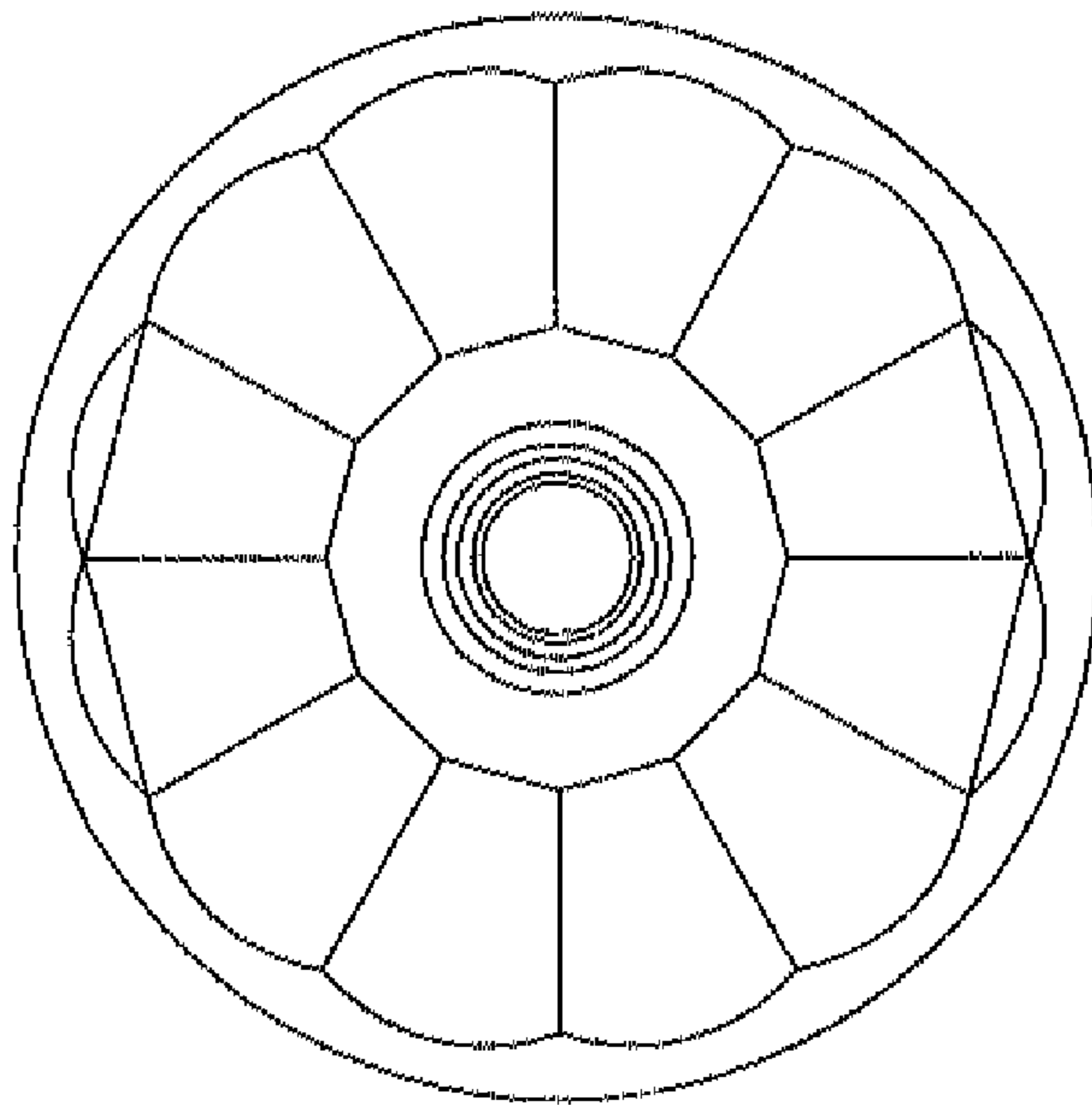


FIG. 3

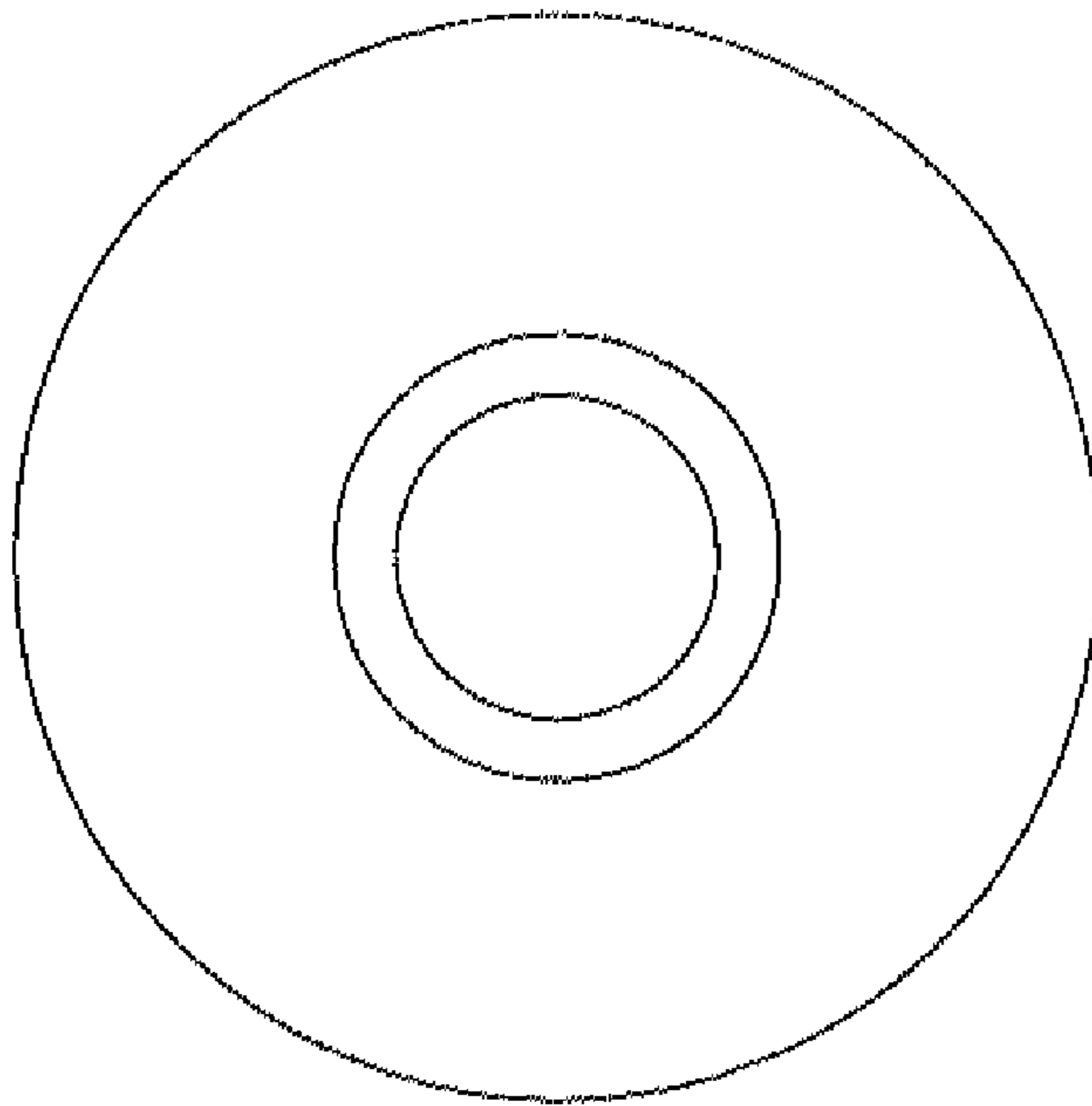


FIG. 4

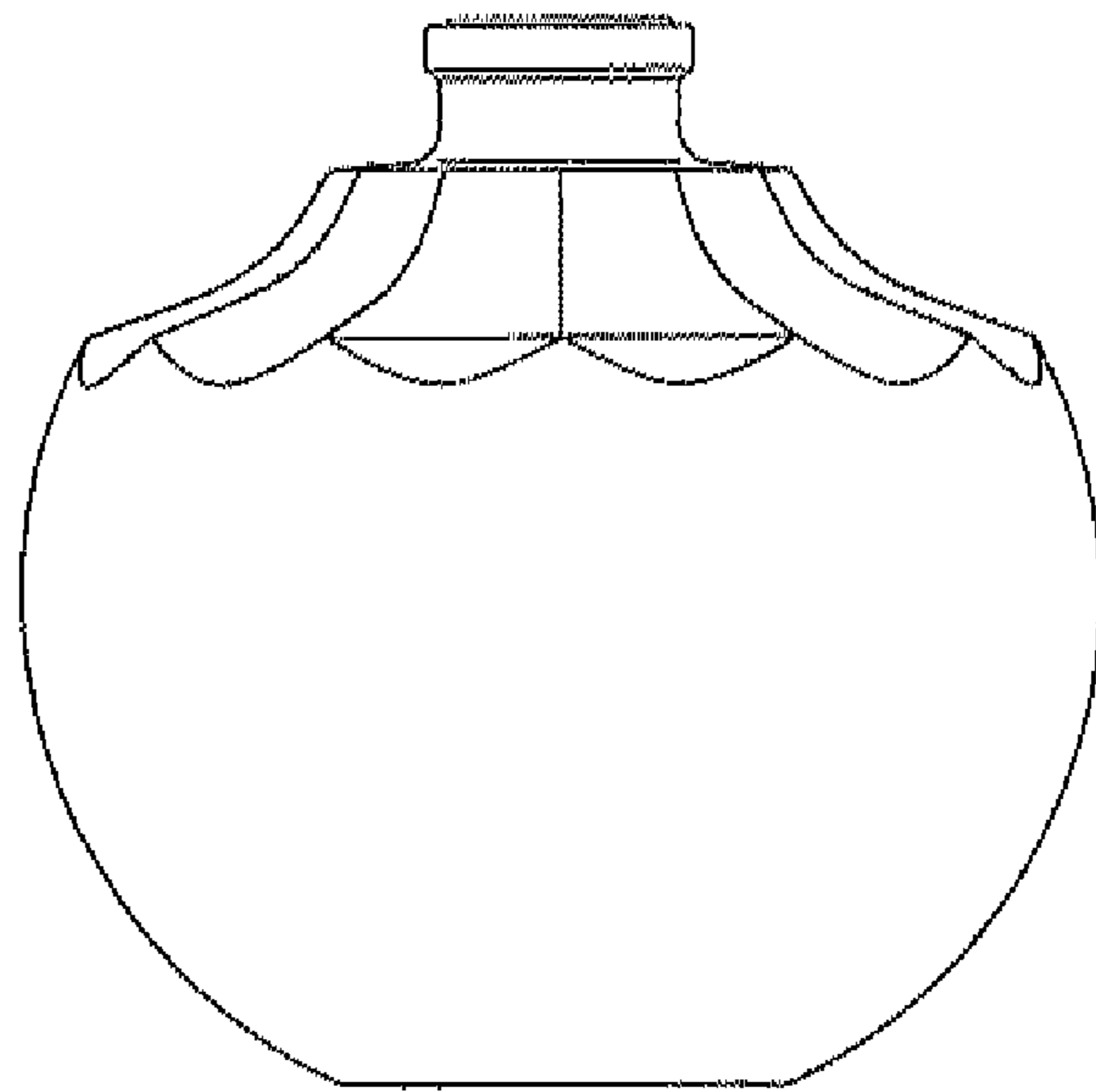


FIG. 5

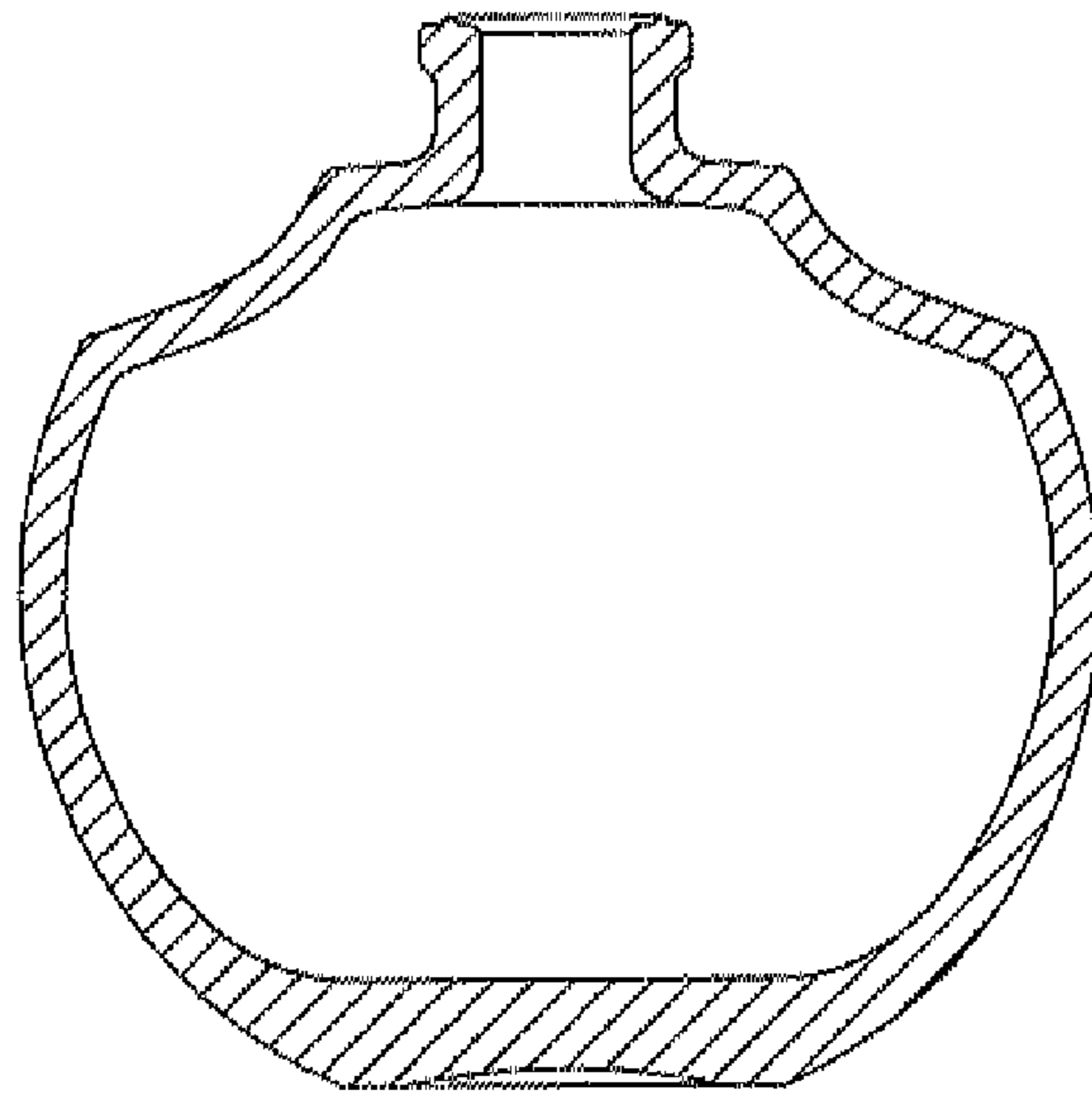


FIG. 6

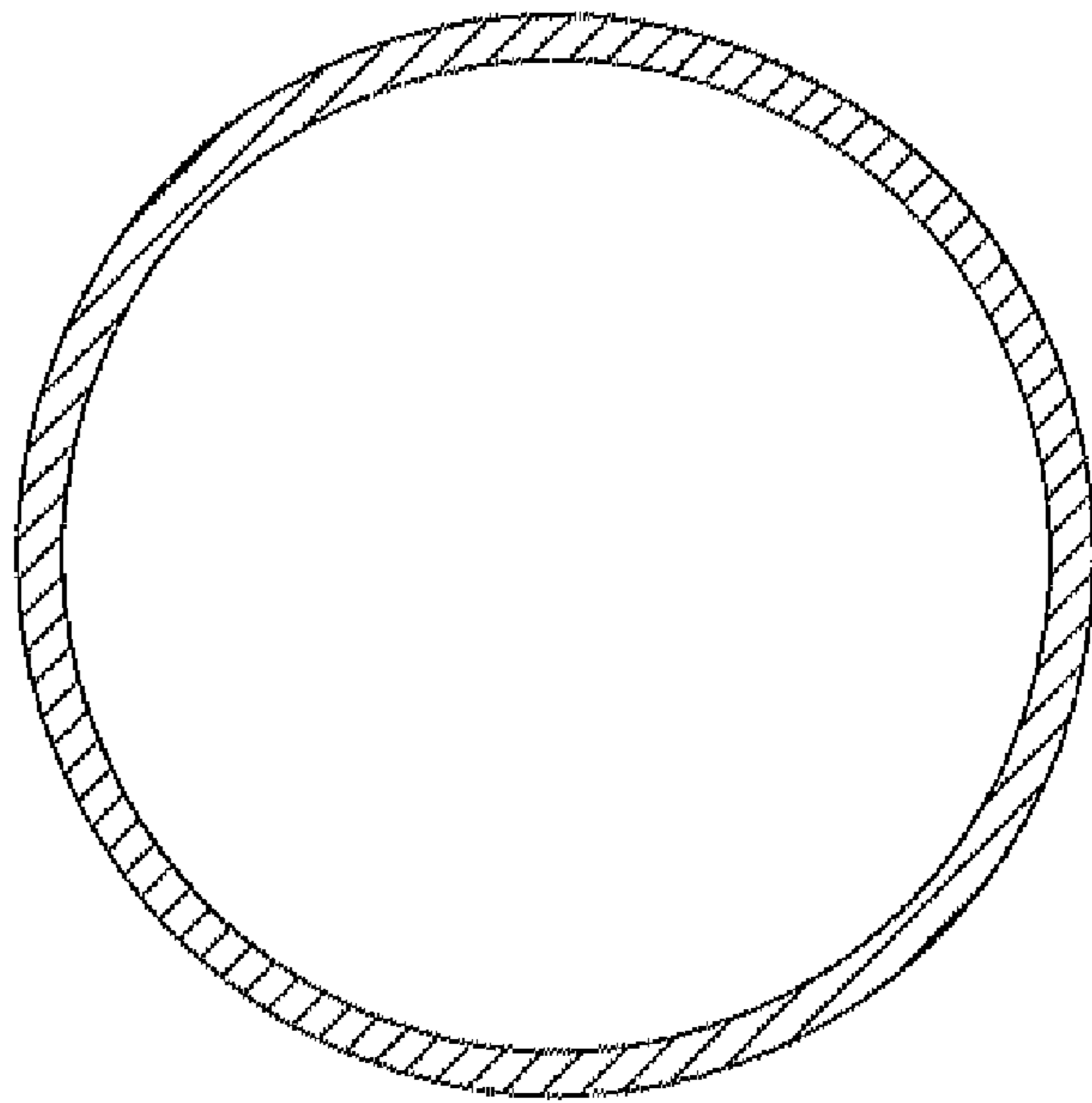


FIG. 7



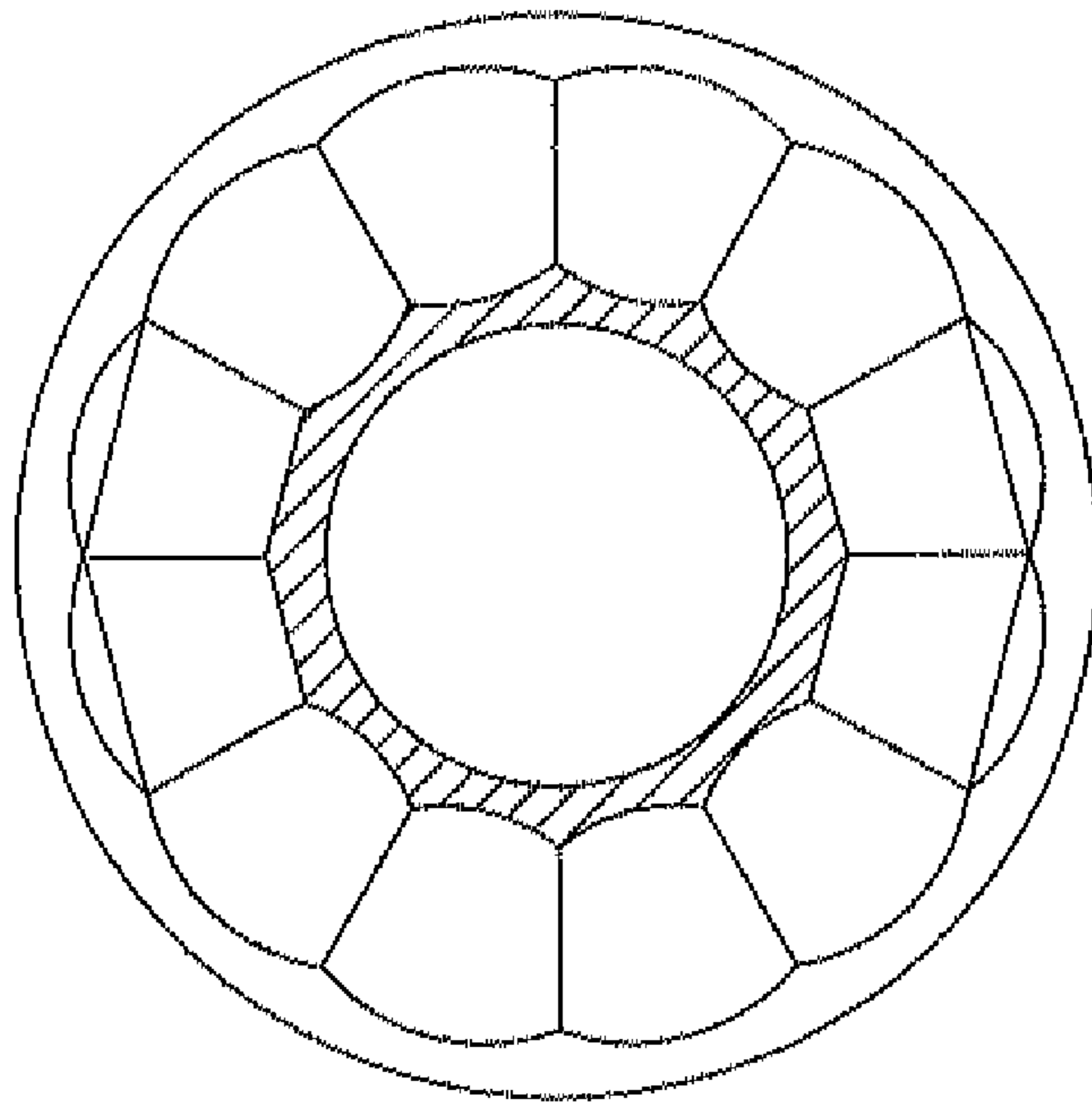


FIG. 8