



US00D671407S

(12) **United States Design Patent**
Fay

(10) **Patent No.:** **US D671,407 S**

(45) **Date of Patent:** **** Nov. 27, 2012**

(54) **REMOVABLE GRIP FOR SHOPPING BAG HANDLES**

D401,505 S * 11/1998 Michael et al. D9/434
D436,036 S * 1/2001 Manseau et al. D9/434
D566,546 S * 4/2008 Williamson D9/434

(76) Inventor: **Peter Fay**, Costa Mesa, CA (US)

* cited by examiner

(**) Term: **14 Years**

Primary Examiner — Susan Bennett Hattan

Assistant Examiner — Barbara B Lohr

(21) Appl. No.: **29/391,775**

(74) *Attorney, Agent, or Firm* — Klein, O'Neil & Singh, LLP

(22) Filed: **May 12, 2011**

(51) **LOC (9) Cl.** **09-07**

(52) **U.S. Cl.** **D9/434**

(58) **Field of Classification Search** D9/434,
D9/435, 443, 455, 456, 499; 53/403, 408,
53/432, 434; 215/40, 43, 44, 45, 46; D8/300,
D8/306, 316, 336, 342, 349, 356; 294/137,
294/171, 294; D7/622; D3/202

See application file for complete search history.

(57) **CLAIM**

The ornamental design for a removable grip for shopping bag handles, as shown and described.

DESCRIPTION

FIG. 1 is a perspective view of the top, left side, and front of a removable grip for shopping bag handles in accordance with my new design;

FIG. 2 is a top plan view of the removable grip shown in FIG. 1;

FIG. 3 is an elevational view of the front of the removable grip shown in FIG. 1, the rear being identical thereto;

FIG. 4 is an elevational view of the left side of the removable grip shown in FIG. 1, the right side being identical thereto; and,

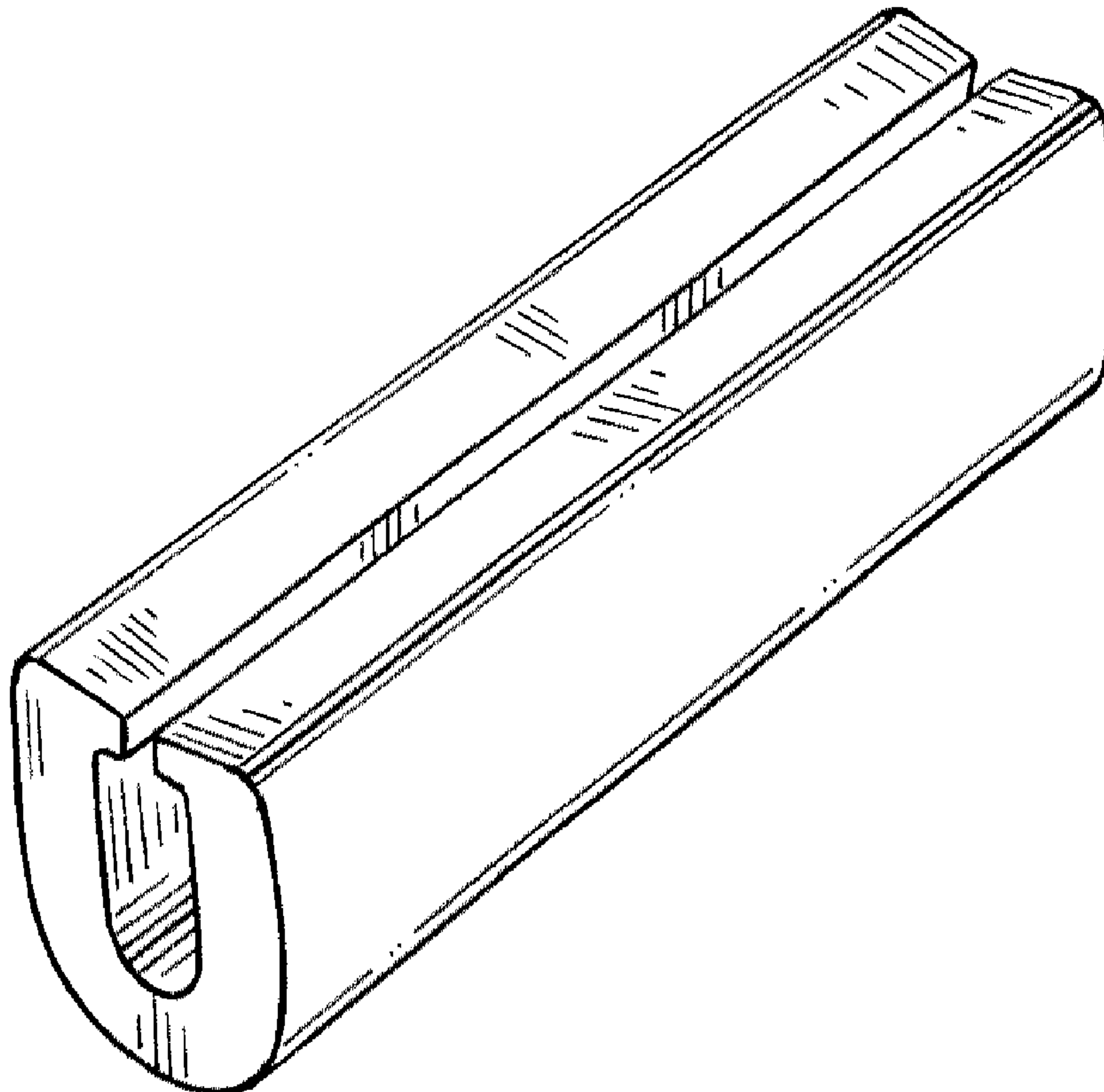
FIG. 5 is a bottom plan view of the removable grip shown in FIG. 1.

(56) **References Cited**

U.S. PATENT DOCUMENTS

D305,297	S	*	1/1990	O'Neill	D9/434
D325,156	S	*	4/1992	Sweeny	D9/434
D325,509	S	*	4/1992	Cameron	D9/434
D328,187	S	*	7/1992	Saurette	D9/434
5,364,148	A	*	11/1994	Bartocci	294/171
D367,817	S	*	3/1996	Halpin et al.	D9/434
D372,865	S	*	8/1996	Stowell et al.	D9/434
5,601,327	A	*	2/1997	Cho	294/171

1 Claim, 1 Drawing Sheet



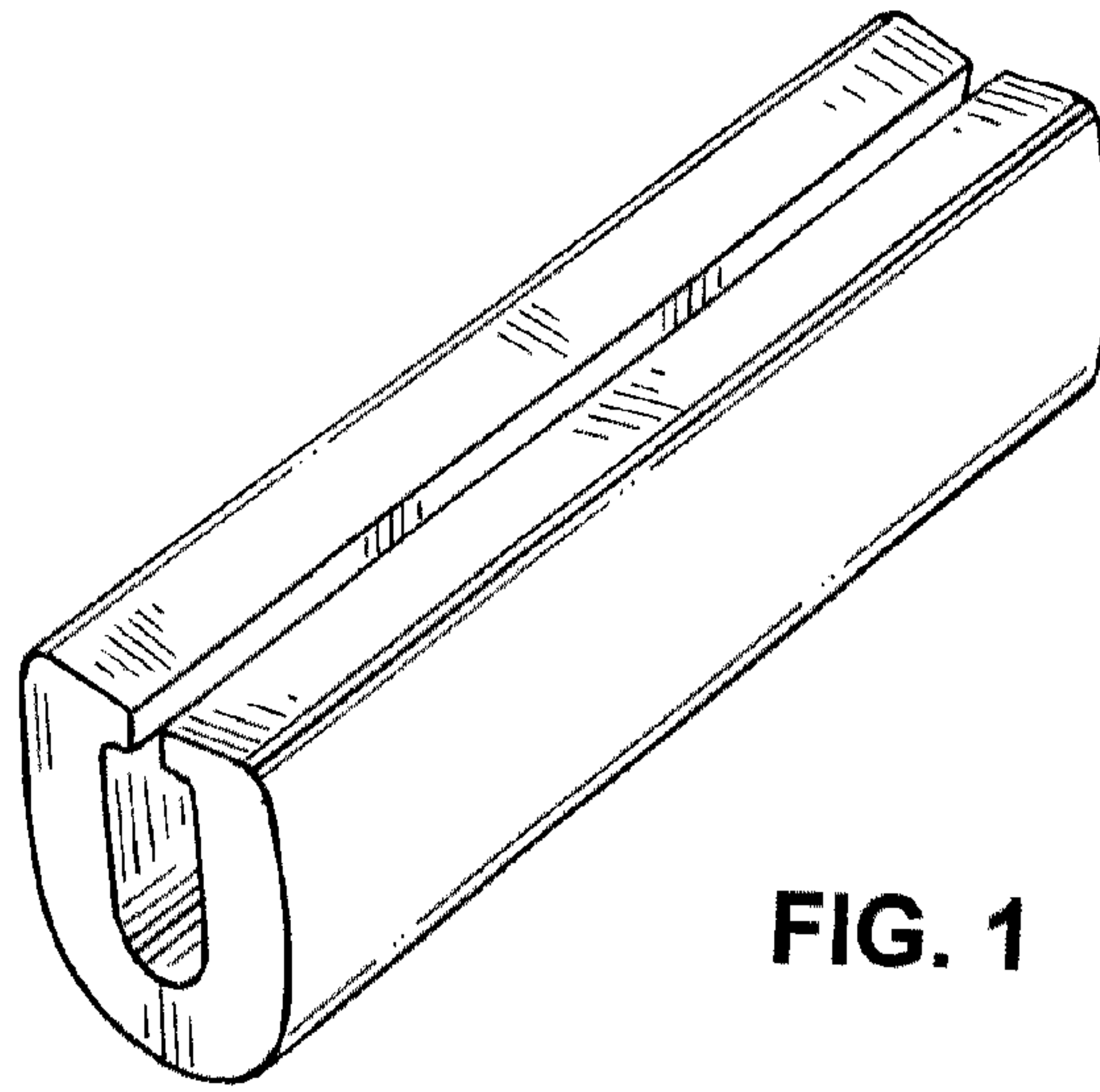


FIG. 1

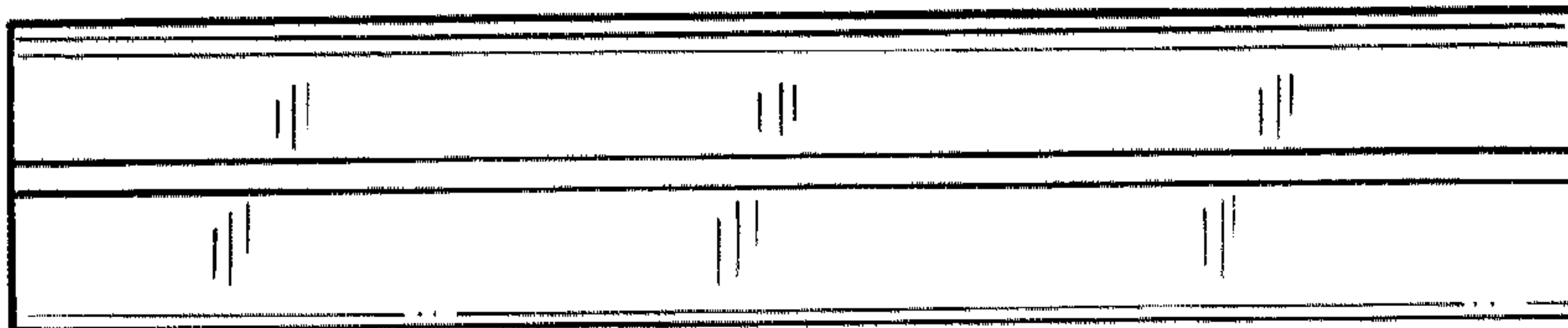


FIG. 2

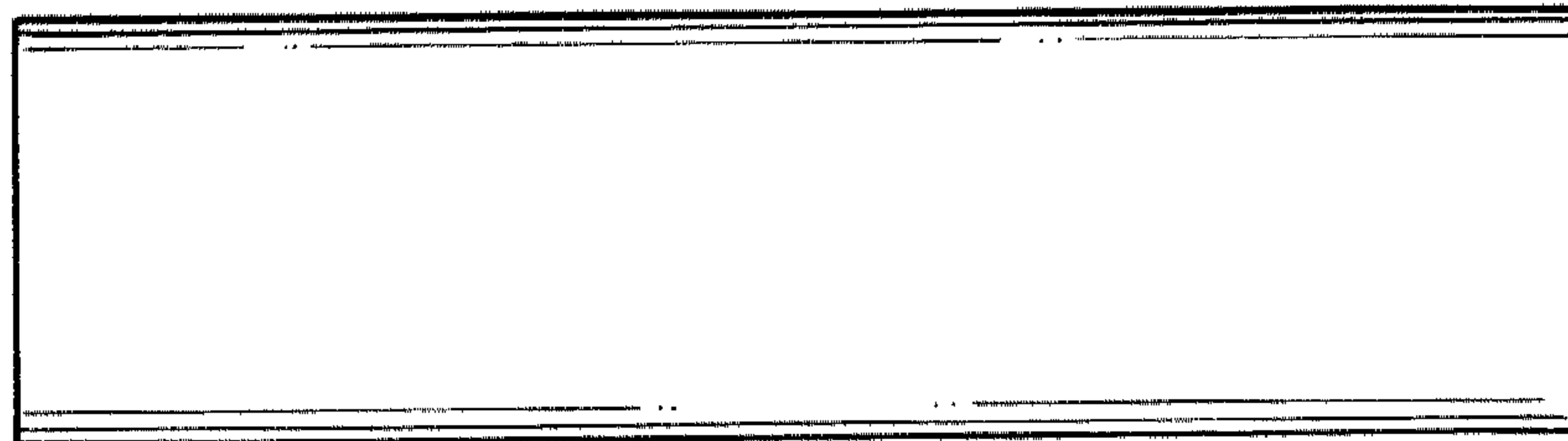


FIG. 3

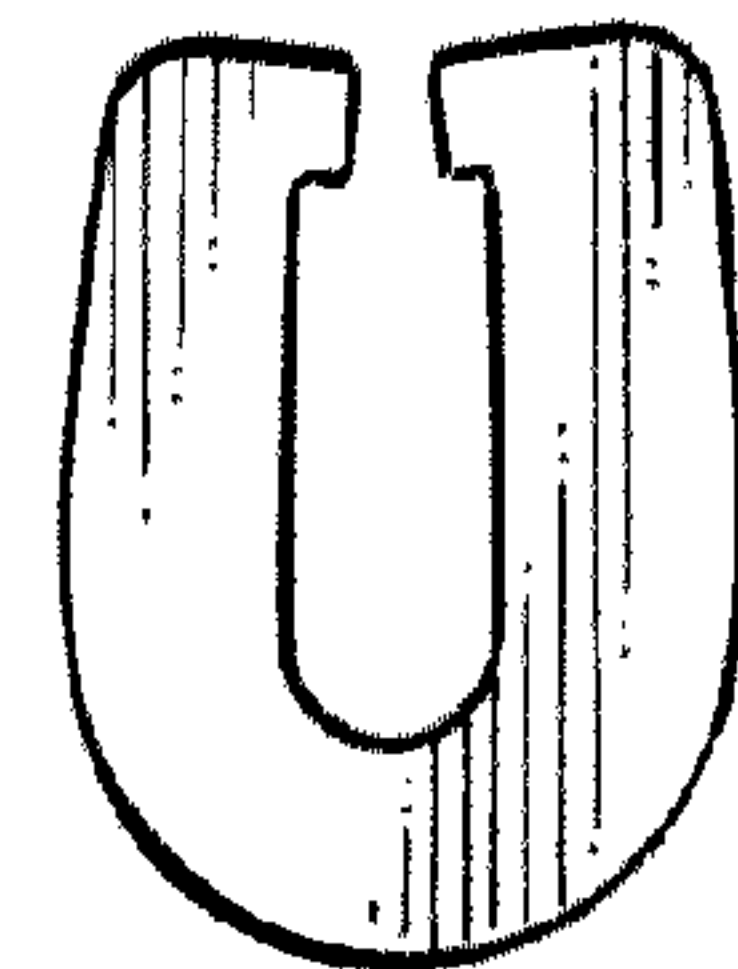


FIG. 4

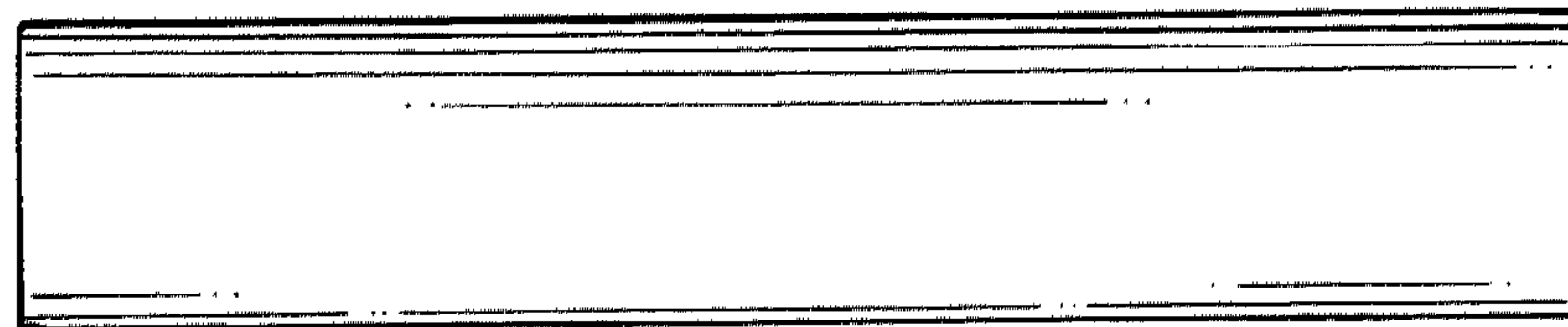


FIG. 5