



US00D671406S

(12) **United States Design Patent**
Sawicki et al.

(10) **Patent No.:** **US D671,406 S**
(45) **Date of Patent:** **** Nov. 27, 2012**

(54) **SAFETY DEVICE FOR A CONTAINER**

(75) Inventors: **Craig R. Sawicki**, Roselle, IL (US);
Michael D. Murphy, Evergreen Park, IL (US)

(73) Assignee: **TricorBraun, Inc.**, Oak Brook, IL (US)

(**) Term: **14 Years**

(21) Appl. No.: **29/391,320**

(22) Filed: **May 6, 2011**

(51) **LOC (9) Cl.** **09-07**

(52) **U.S. Cl.** **D9/434**

(58) **Field of Classification Search** D9/434,
D9/435, 438, 439, 448, 454, 686-693; D7/398,
D7/401.1, 510, 511, 590-597, 679; 241/168,
241/169, 169.1; 229/906.1; D19/43, 57
See application file for complete search history.

(56) **References Cited**

U.S. PATENT DOCUMENTS

D595,570 S * 7/2009 Moretti D9/434
D600,115 S * 9/2009 Trayser D9/434
D601,018 S * 9/2009 Trayser D9/434

D633,387 S * 3/2011 Gatto D9/454
D658,980 S * 5/2012 Chapin D9/434
D661,982 S * 6/2012 Sanders D9/434

* cited by examiner

Primary Examiner — Susan Bennett Hattan

Assistant Examiner — Barbara B Lohr

(74) *Attorney, Agent, or Firm* — H. Frederick Rusche;
Husch Blackwell LLP

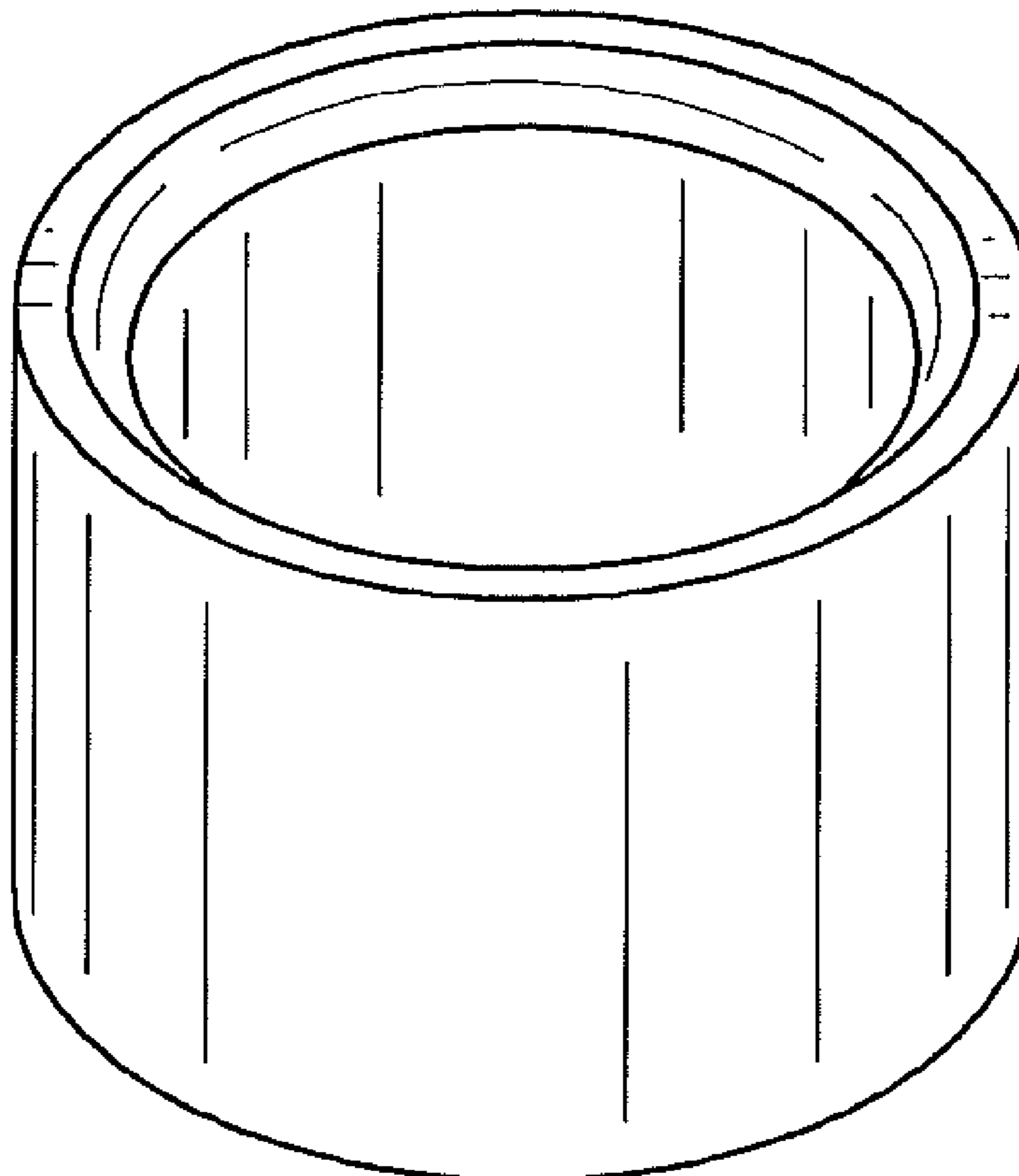
(57) **CLAIM**

We claim the ornamental design for a safety device for a container, as shown and described.

DESCRIPTION

FIG. 1 is a perspective view of a safety device for a container showing our new design;
FIG. 2 is a front view thereof;
FIG. 3 is a rear view thereof;
FIG. 4 is a left side view thereof;
FIG. 5 is a right side view thereof;
FIG. 6 is a top view thereof;
FIG. 7 is a bottom view thereof; and,
FIG. 8 is a cross-sectional view taken along the line 8-8 in FIG. 6.

1 Claim, 2 Drawing Sheets



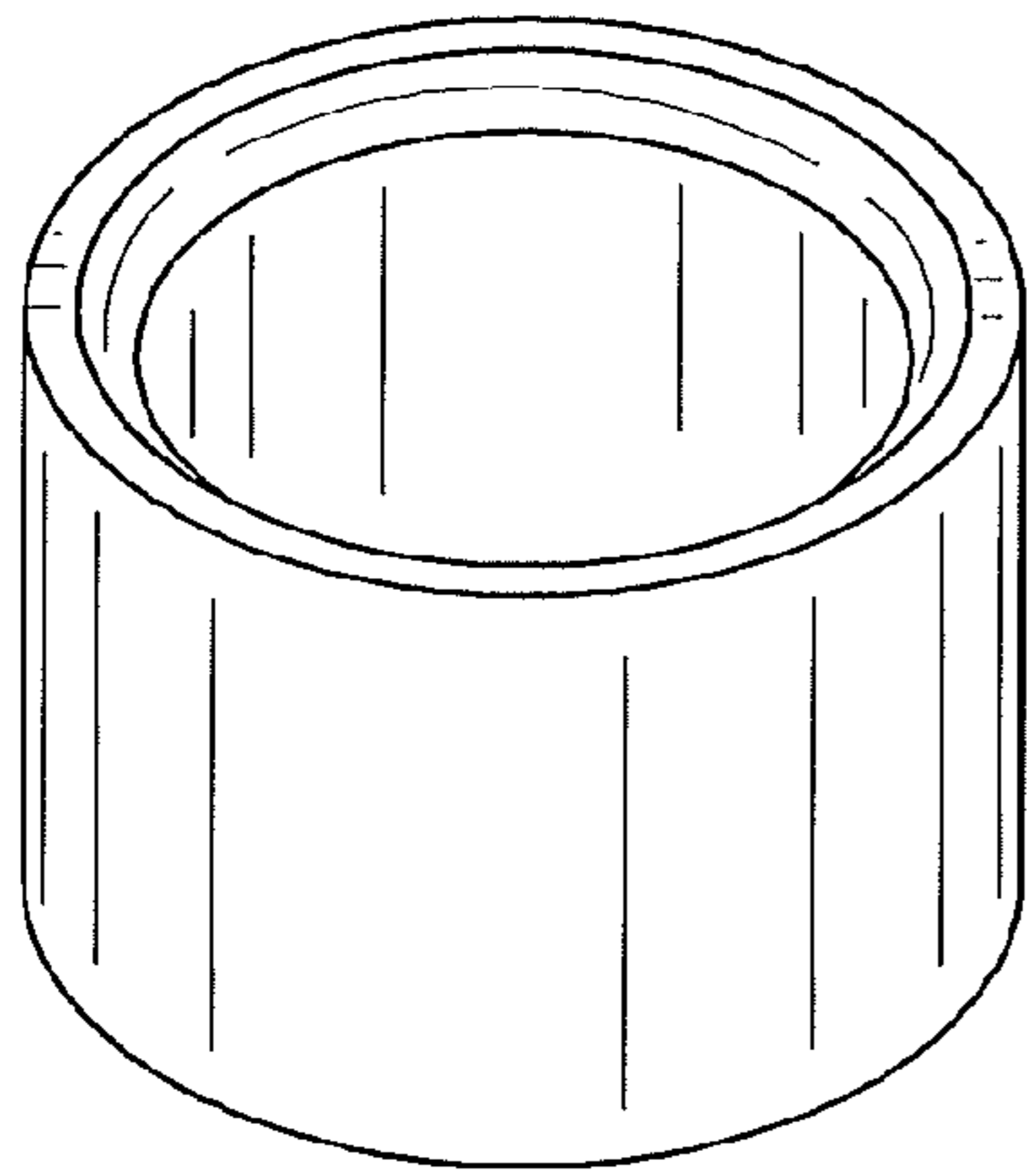


FIG. 1

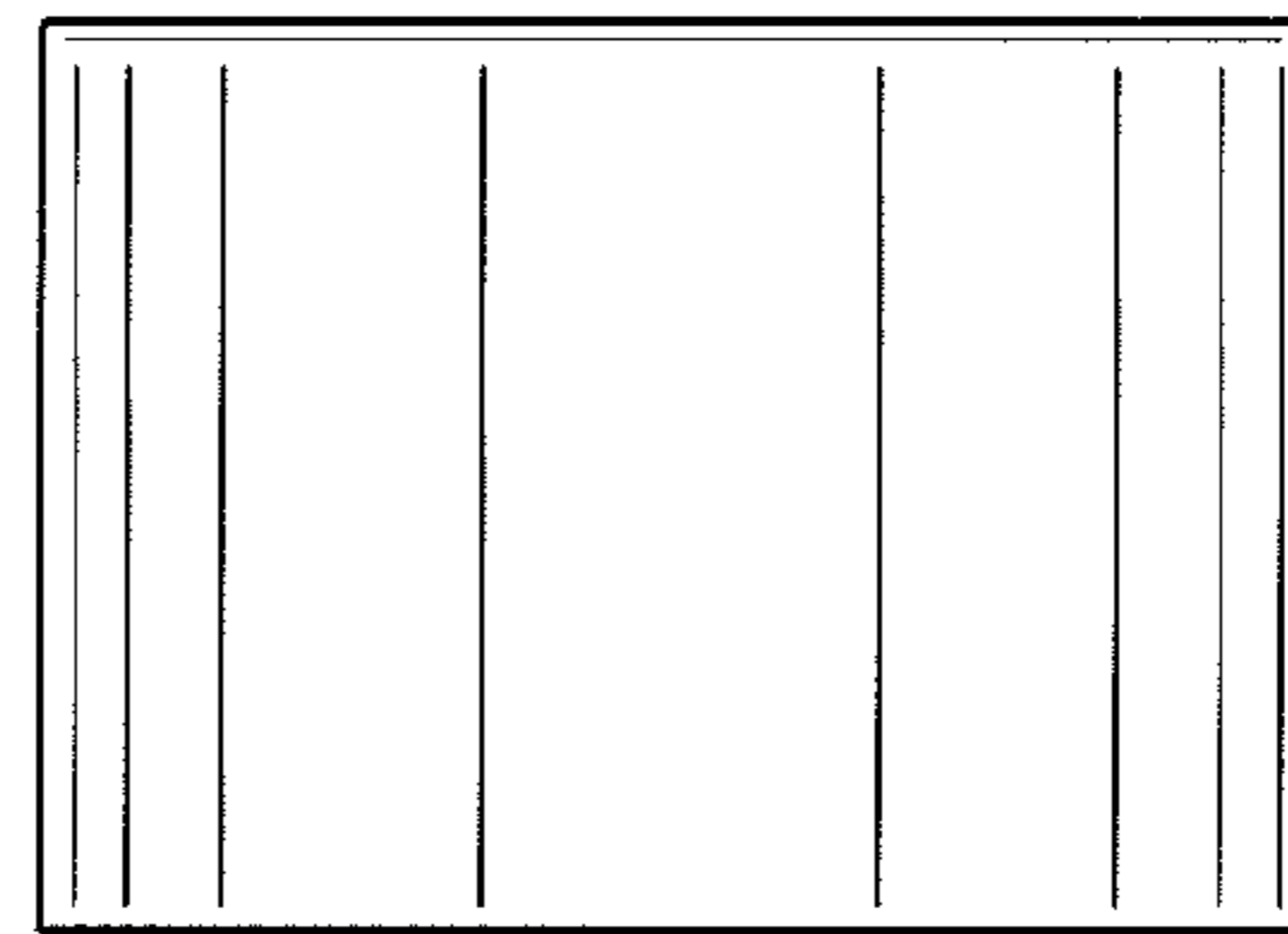


FIG. 2

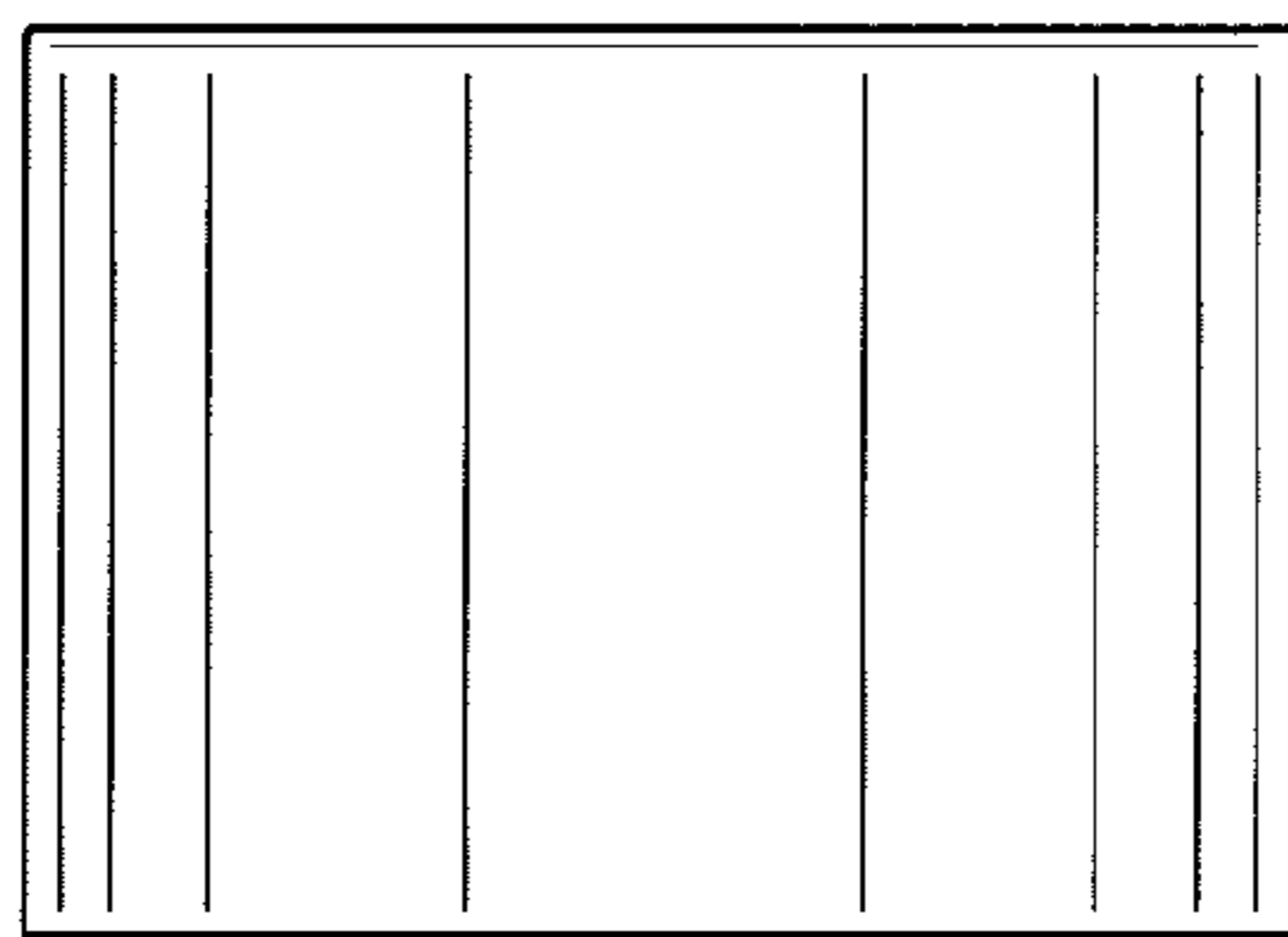


FIG. 3

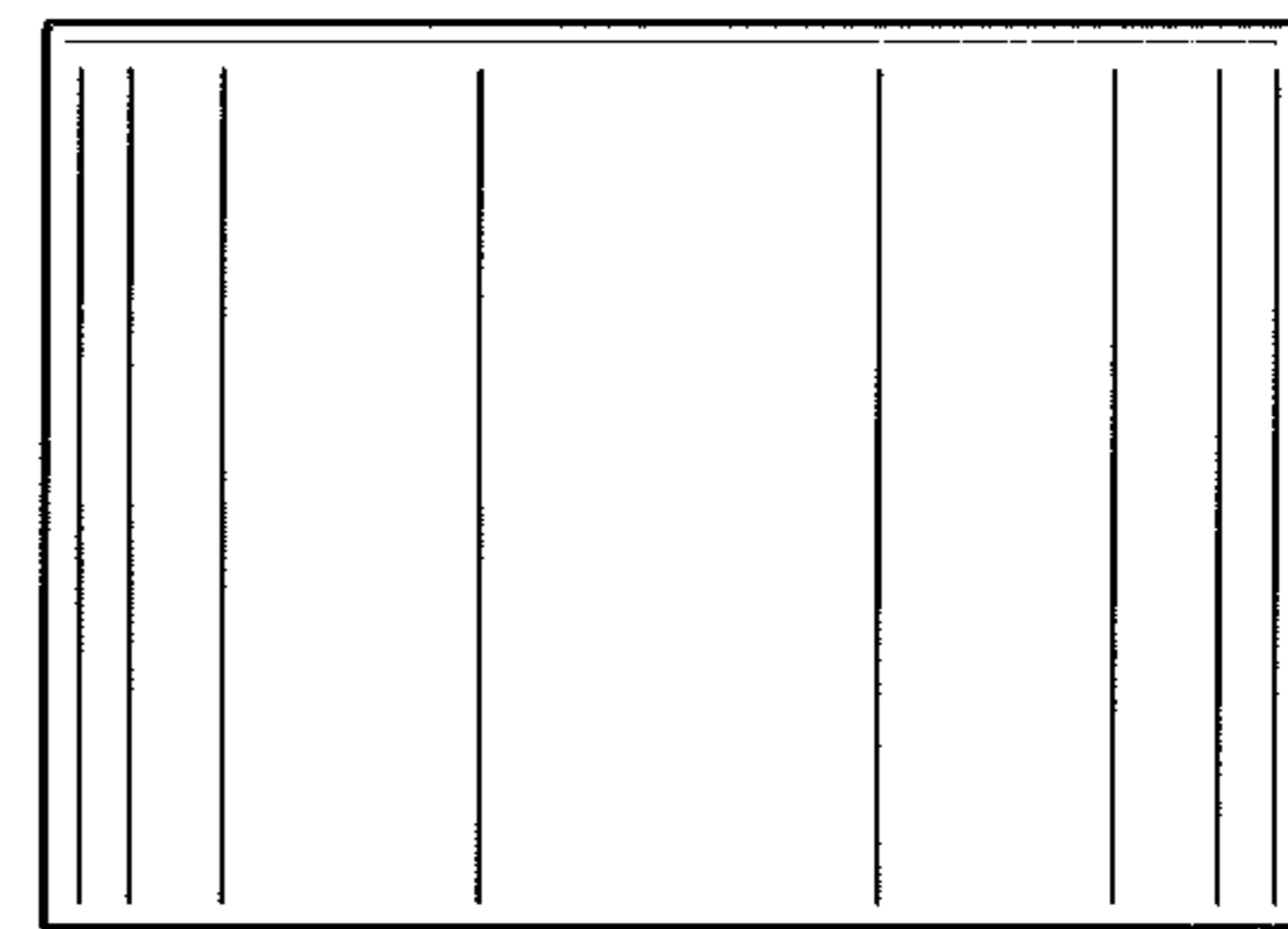


FIG. 4

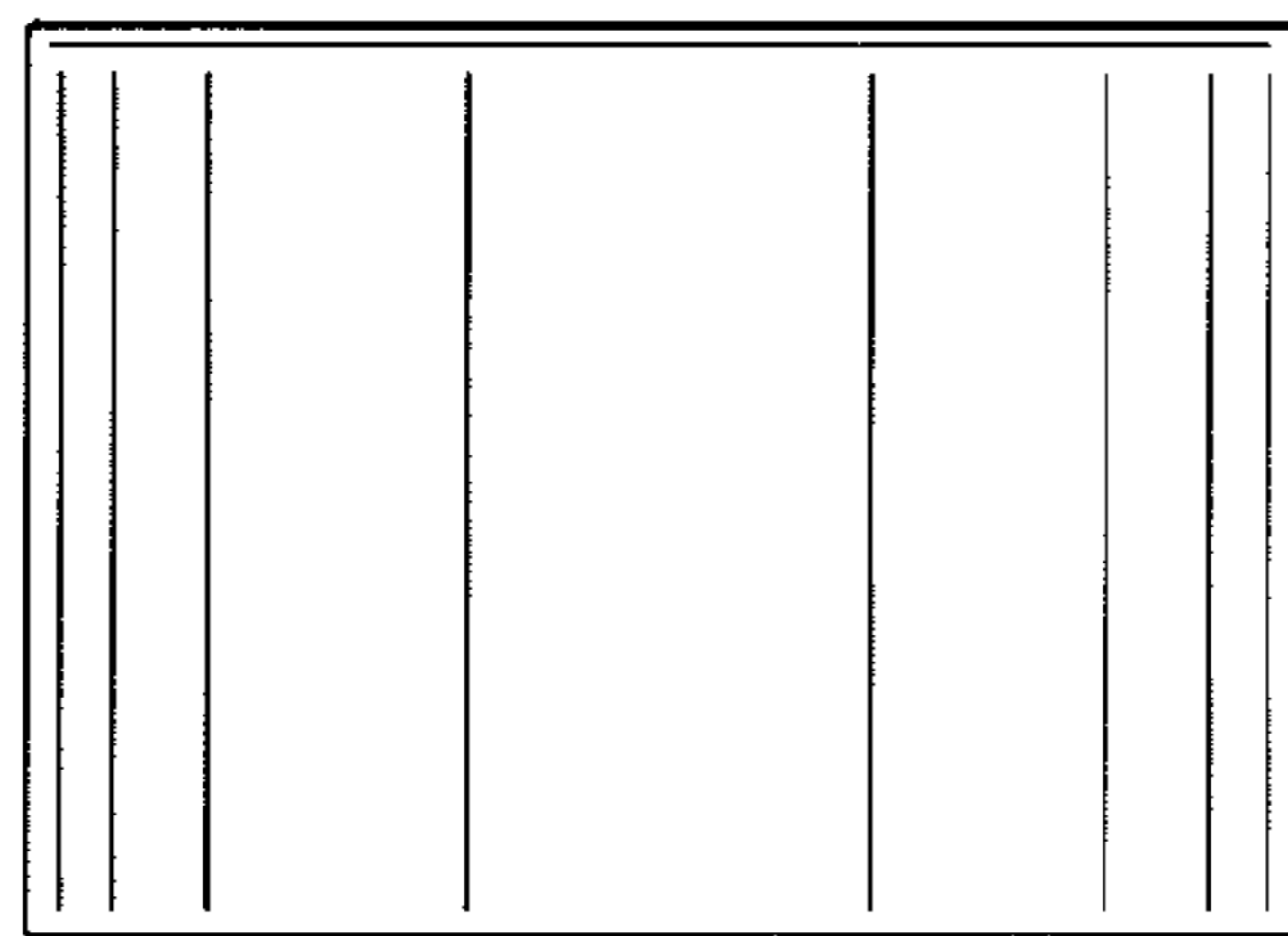


FIG. 5

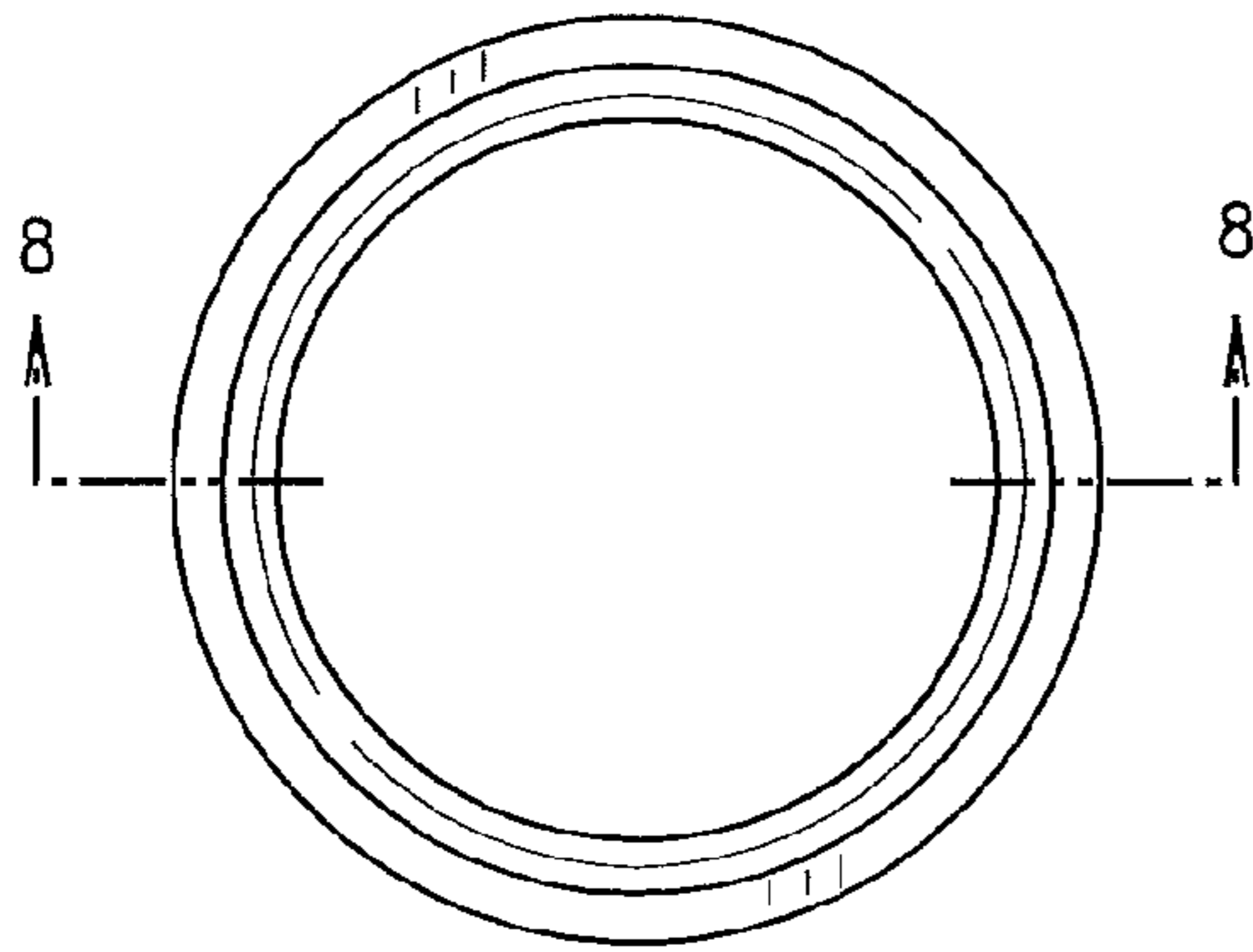


FIG. 6

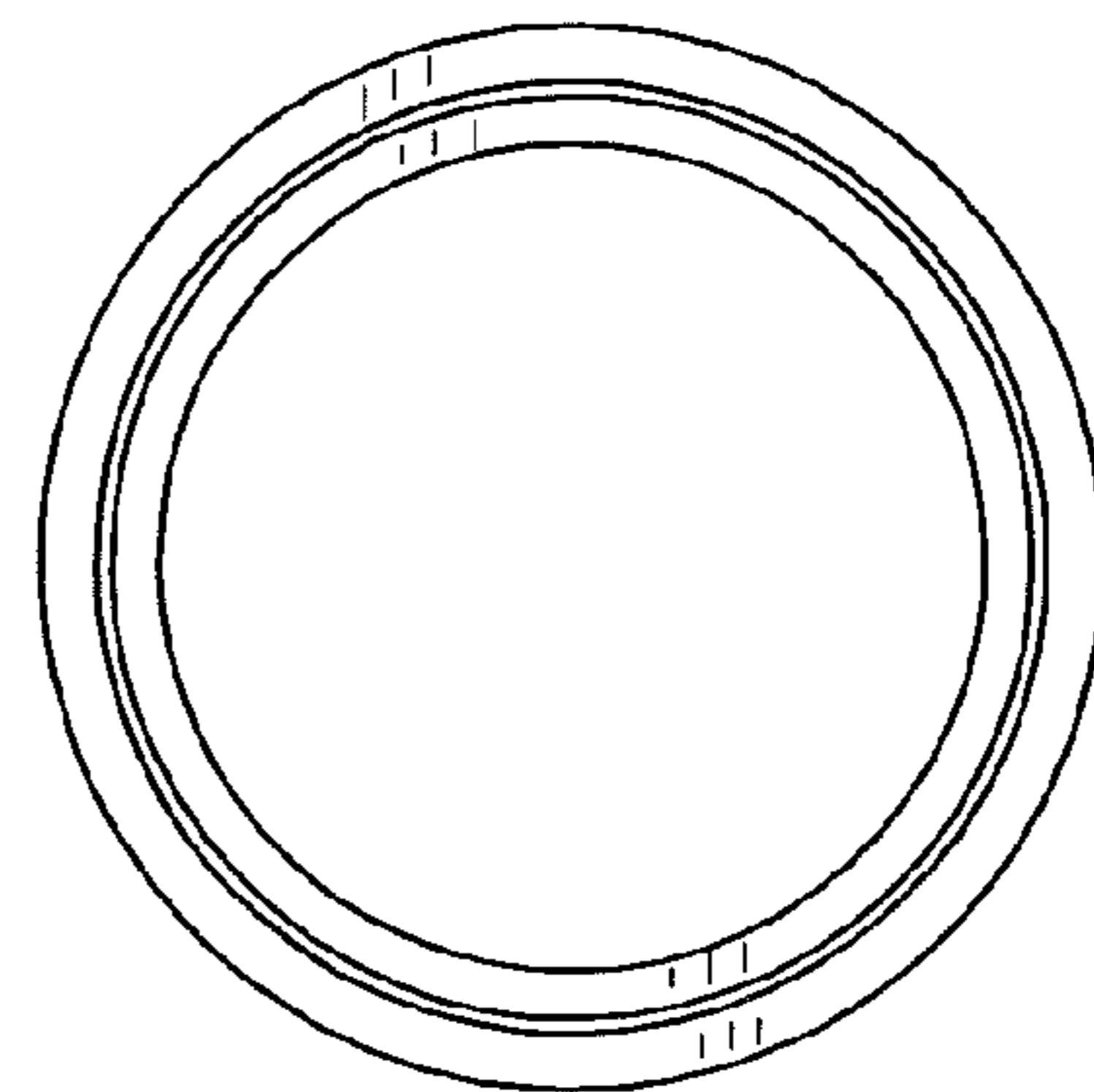


FIG. 7

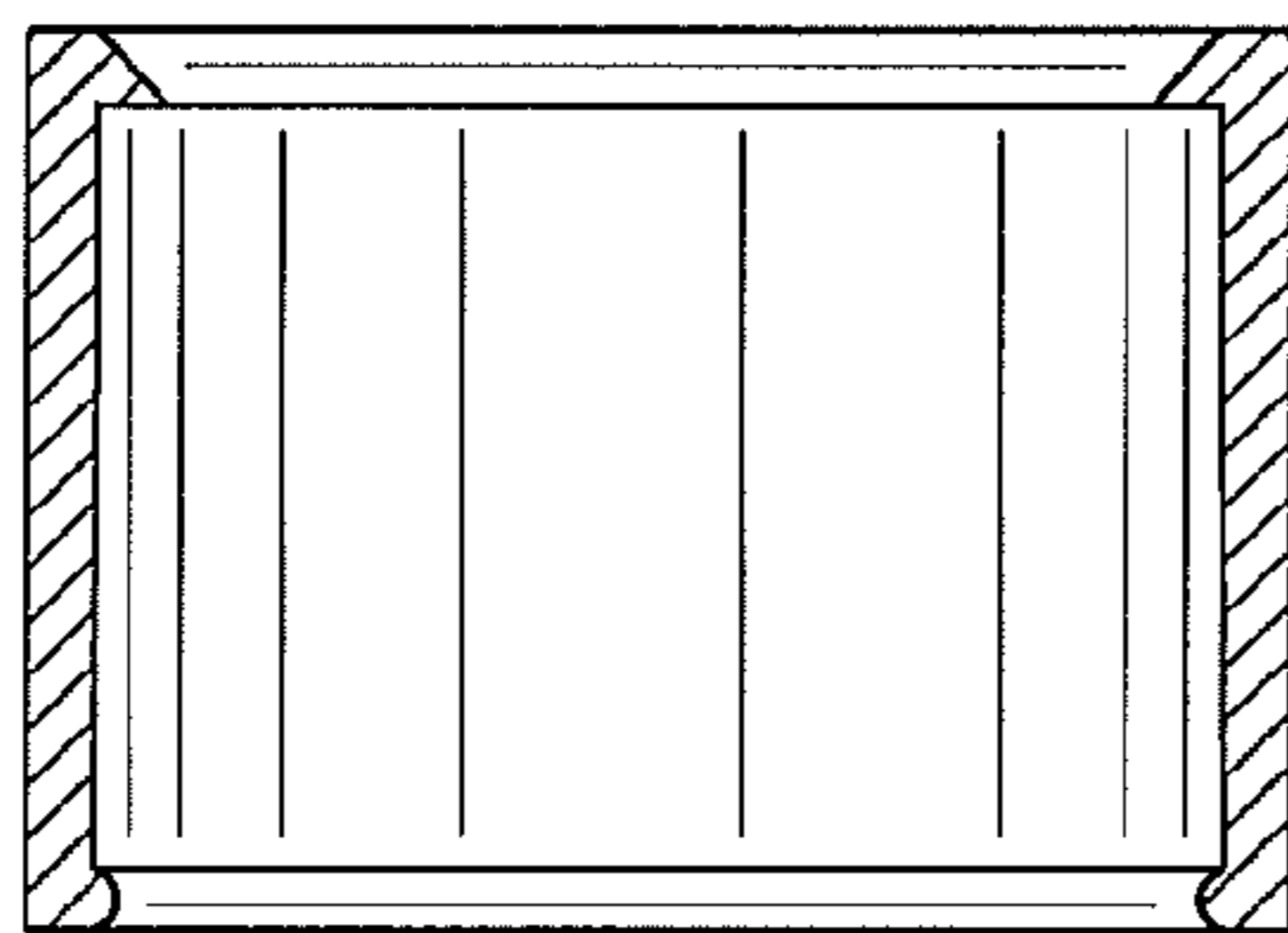


FIG. 8