



US00D671404S

(12) **United States Design Patent**
Thomason

(10) **Patent No.:** **US D671,404 S**
(45) **Date of Patent:** **** Nov. 27, 2012**

- (54) **BOX**
- (75) Inventor: **Scott R. Thomason**, Macedonia, OH (US)
- (73) Assignee: **Sunless, Inc.**, Macedonia, OH (US)
- (**) Term: **14 Years**
- (21) Appl. No.: **29/401,781**
- (22) Filed: **Sep. 15, 2011**

5,176,313 A * 1/1993 Curry et al. 229/125.15
 5,201,462 A * 4/1993 Sada et al. 229/125.15
 5,799,818 A 9/1998 Ringer
 6,290,124 B2 * 9/2001 Andrews et al. 229/117.27
 (Continued)

FOREIGN PATENT DOCUMENTS

DE 3802793 A1 8/1989
 (Continued)

OTHER PUBLICATIONS

Written Opinion of the Authorized Searching Authority (Corresponding Application: PCT/US09/56541); Korean Intellectual Property Office; Authorized Officer Chang Soo Han; Issued Apr. 19, 2010; (4 pages).

(Continued)

Primary Examiner — Thomas Johannes
 (74) *Attorney, Agent, or Firm* — Benesch, Friedlander, Coplan & Aronoff LLP

Related U.S. Application Data

- (63) Continuation of application No. 12/412,880, filed on Mar. 27, 2009.
- (51) **LOC (9) Cl.** **09-03**
- (52) **U.S. Cl.** **D9/431**
- (58) **Field of Classification Search** D9/430–433, D9/414, 418, 420–424, 499; D3/272; 206/267, 206/269, 270, 273, 299, 476, 494, 527, 784, 206/737, 740, 822; 229/100, 101, 101.3, 229/106, 108–112, 114–117, 117.05–117.09, 229/117.24–117.26, 162, 164, 87.01, 87.06, 229/800, 221, 222, 227, 902, 939, 941, 942; D7/392, 397; 220/229, 260, 62, 890
 See application file for complete search history.

(57) **CLAIM**
 What is claimed is the ornamental design for a box, as shown and described.

DESCRIPTION

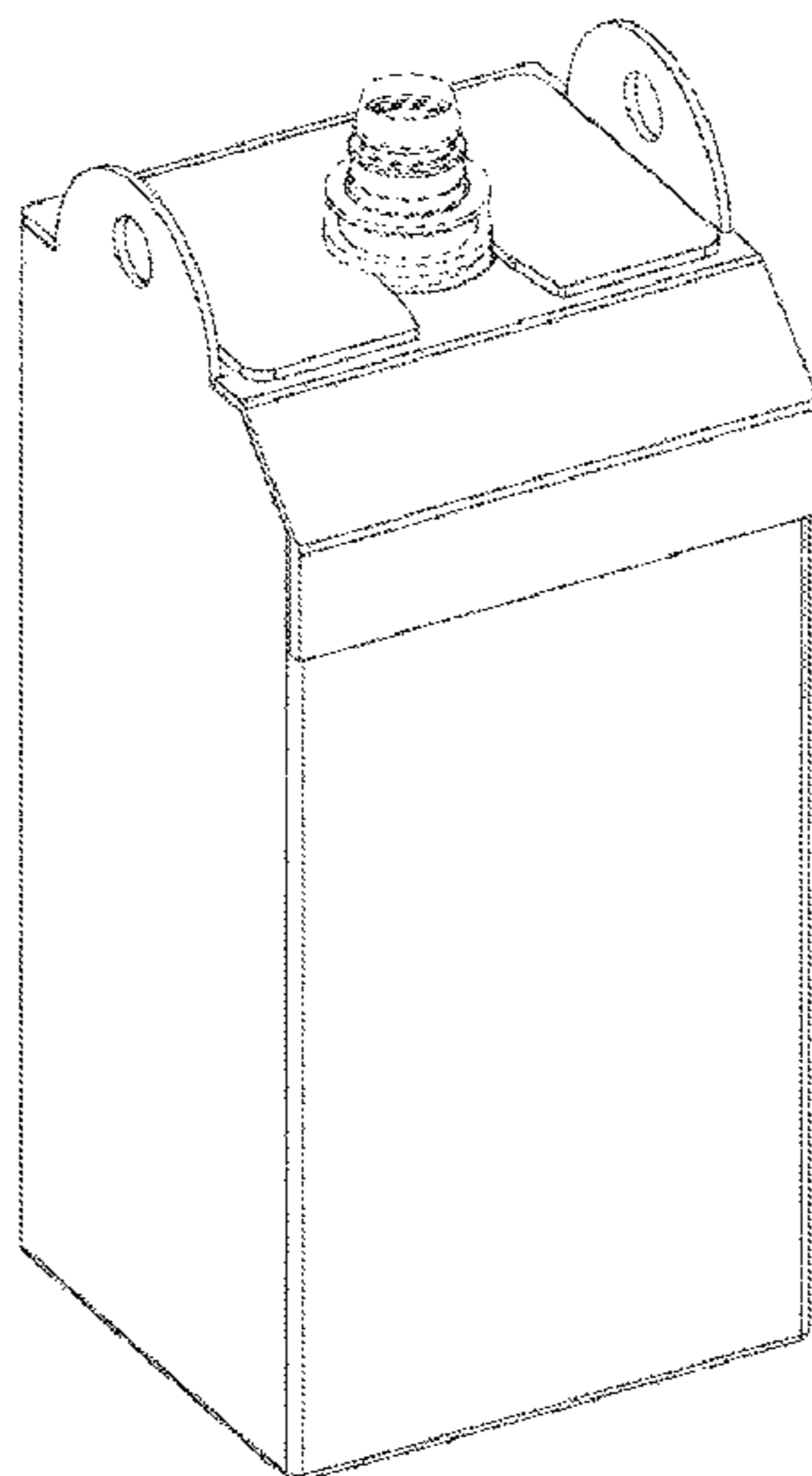
FIG. 1 is a front perspective view of a box showing my new design;
 FIG. 2 is a rear perspective view thereof;
 FIG. 3 is a rear perspective view thereof in an open position; and,
 FIG. 4 is a front perspective view thereof with the clip removed therefrom.
 The components in broken lines depict environmental subject matter only and form no part of the claimed design. The bottom view is omitted, because it is flat and devoid of surface ornamentation.

(56) **References Cited**

U.S. PATENT DOCUMENTS

- 2,954,901 A * 10/1960 Winstead 222/183
- 3,054,549 A * 9/1962 Humphrey 229/117.3
- 3,160,326 A * 12/1964 Sturdevant et al. 222/183
- 3,233,817 A * 2/1966 Casady 229/117.3
- 3,696,969 A 10/1972 De Van et al.
- 4,572,422 A * 2/1986 Heuberger et al. 229/117.3
- 4,836,418 A 6/1989 Dinslage
- 4,934,654 A 6/1990 Linnemann
- 5,048,691 A * 9/1991 Heuberger et al. 229/117.3
- 5,054,644 A 10/1991 Greenslade
- 5,082,145 A 1/1992 McDonald

1 Claim, 3 Drawing Sheets



US D671,404 S

Page 2

U.S. PATENT DOCUMENTS

D456,710 S * 5/2002 Persson D9/431
6,637,623 B2 10/2003 Muise et al.
D575,637 S * 8/2008 Adams D9/753
7,571,835 B2 8/2009 Hill et al.
7,681,783 B2 * 3/2010 Stephenson 229/117.3
7,690,555 B2 * 4/2010 Churvis et al. 229/117.13
D617,635 S * 6/2010 Gould D9/431
D625,600 S * 10/2010 Hill D9/431
8,186,569 B2 * 5/2012 Kelly 229/117.16
2001/0004994 A1 6/2001 Andrews et al.
2002/0047040 A1 * 4/2002 Andrews et al. 229/112
2005/0211754 A1 9/2005 Fulcher
2006/0180643 A1 8/2006 Stephenson
2006/0202005 A1 * 9/2006 Andrews et al. 229/117.3
2008/0041882 A1 2/2008 Lips
2008/0135577 A1 6/2008 Erb
2009/0084834 A1 * 4/2009 Duyst 229/117.3
2009/0114311 A1 5/2009 McDowell
2011/0253774 A1 * 10/2011 Hill et al. 229/117.3

FOREIGN PATENT DOCUMENTS

EP 06007339 4/2007
GB 1161713 A 8/1969
JP 2002225941 A 8/2002

JP 2002255240 9/2002
WO 2007112752 10/2007
WO 2007133952 11/2007

OTHER PUBLICATIONS

International Search Report from Corresponding Application: PCT/US09/56541; Korean Intellectual Property Office Searching Authority; Authorized Officer Chang Soo Han; Issued Apr. 22, 2010; (3 pages).

International Search Report from Corresponding Application: PCT/US2007/068117; European Patent Office; Authorized Officer Appelt, Lothar; Issued Sep. 18, 2007; (3 pages).

International Search Report from Corresponding Application: PCT/DK2007/000167; European Patent Office; Authorized Officer Mueller, Claus; Issued Aug. 21, 2007; (3 pages).

Office Action from Corresponding Application: U.S. Appl. No. 12/412,880; U.S. Patent and Trademark Office; Dated Oct. 24, 2011; (17 pages).

* cited by examiner

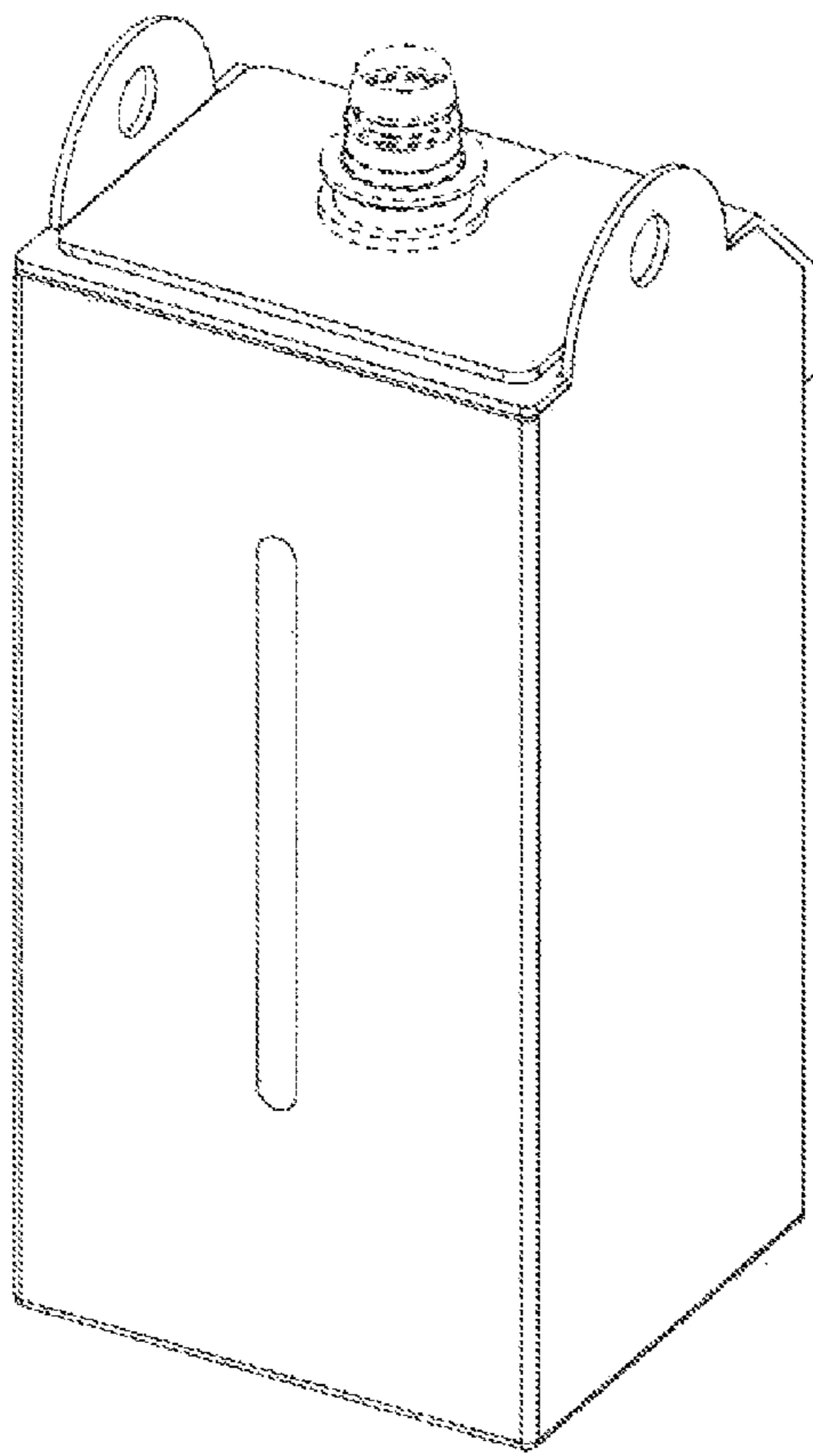


Fig. 1

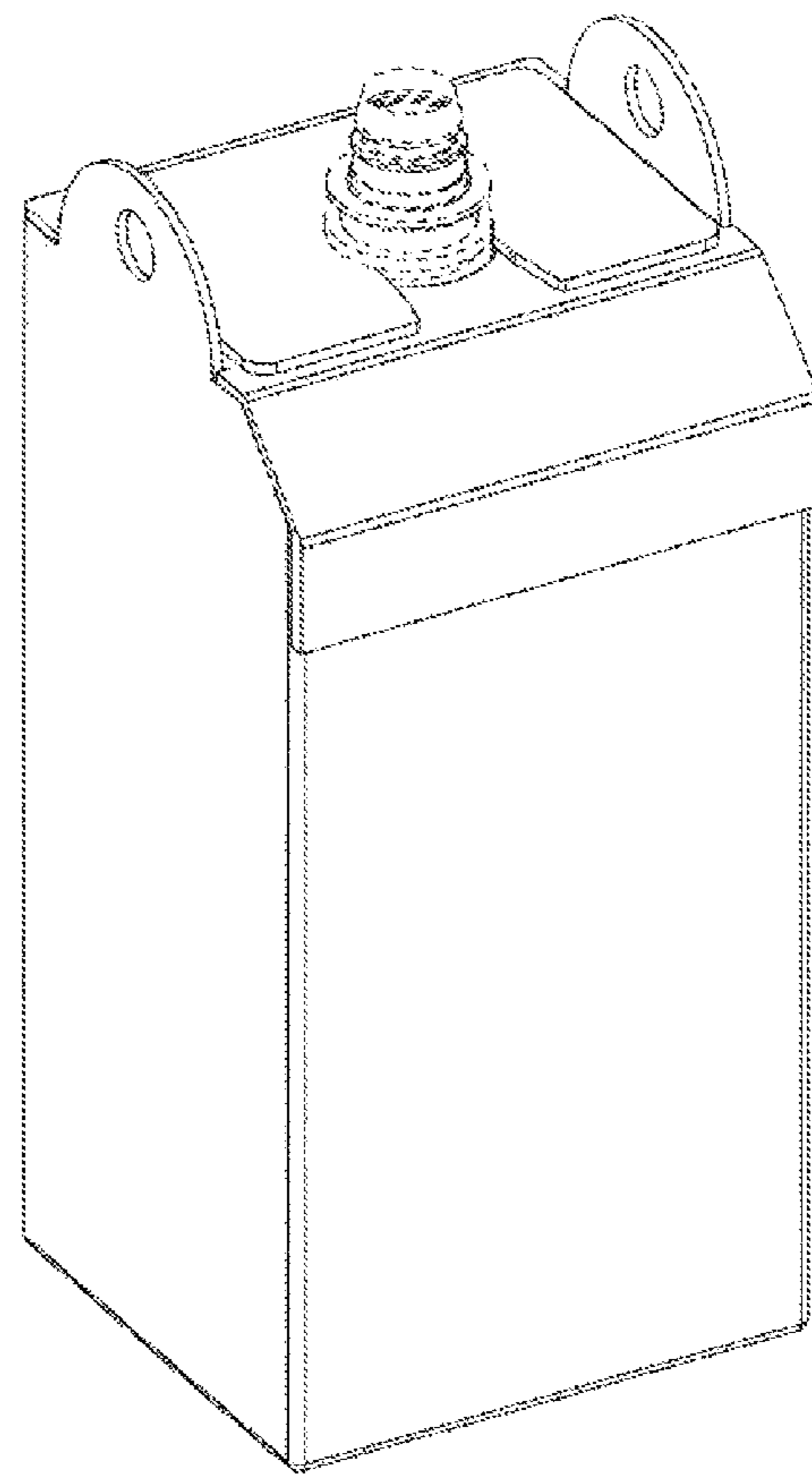


Fig. 2

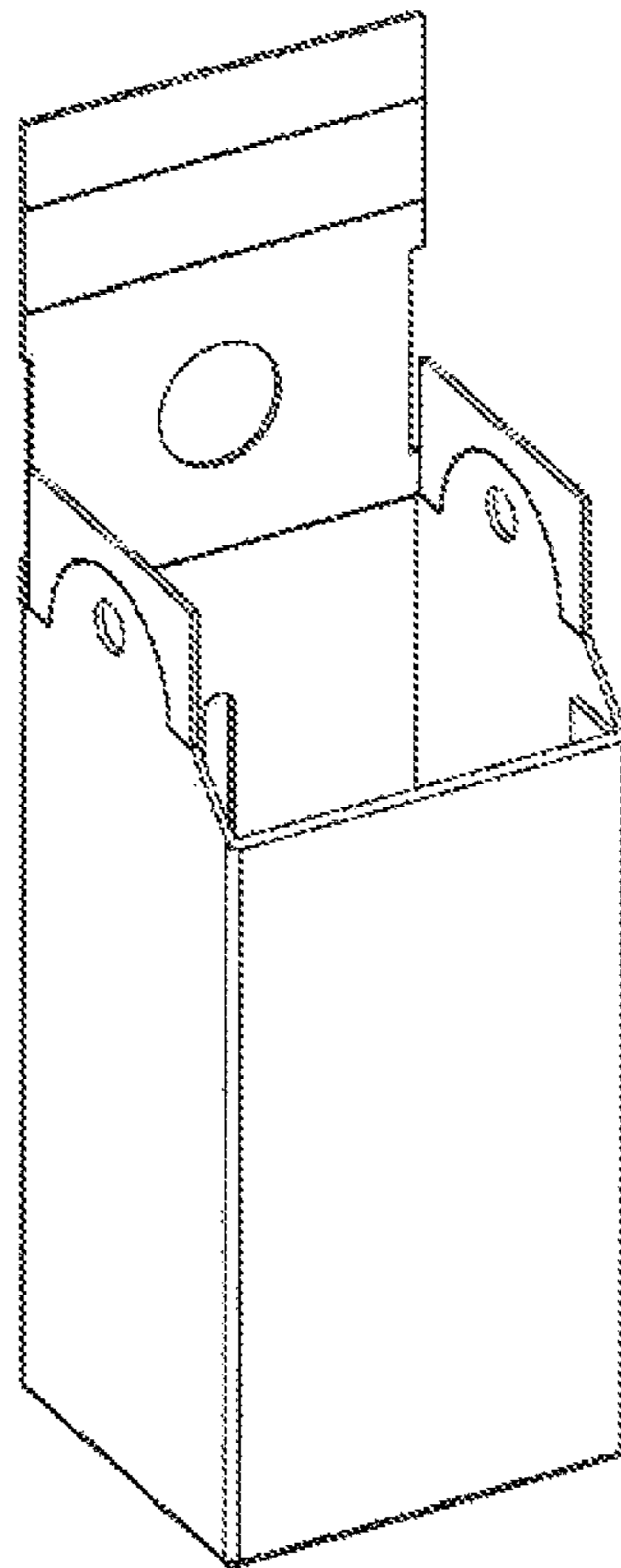
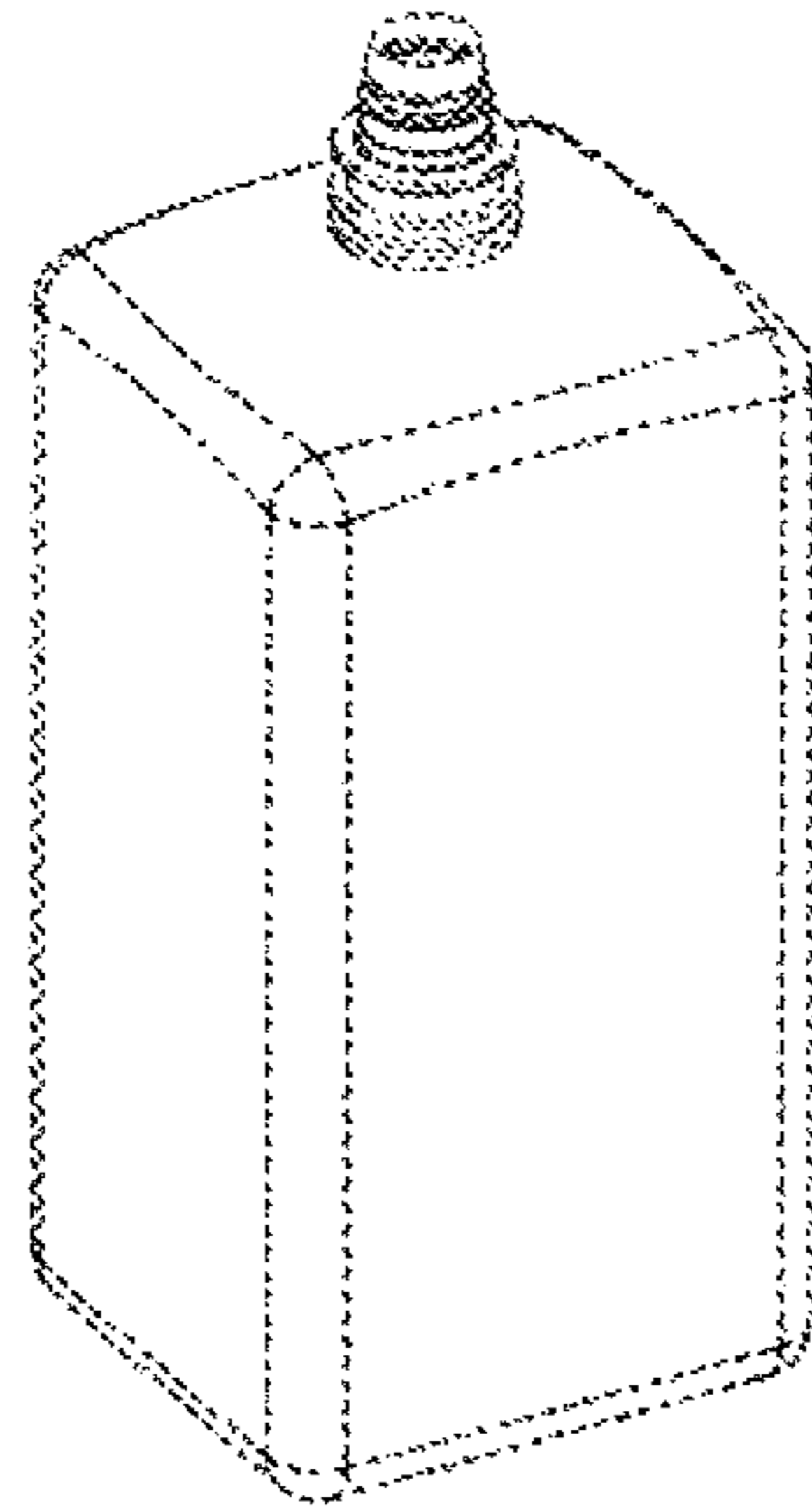


Fig. 3

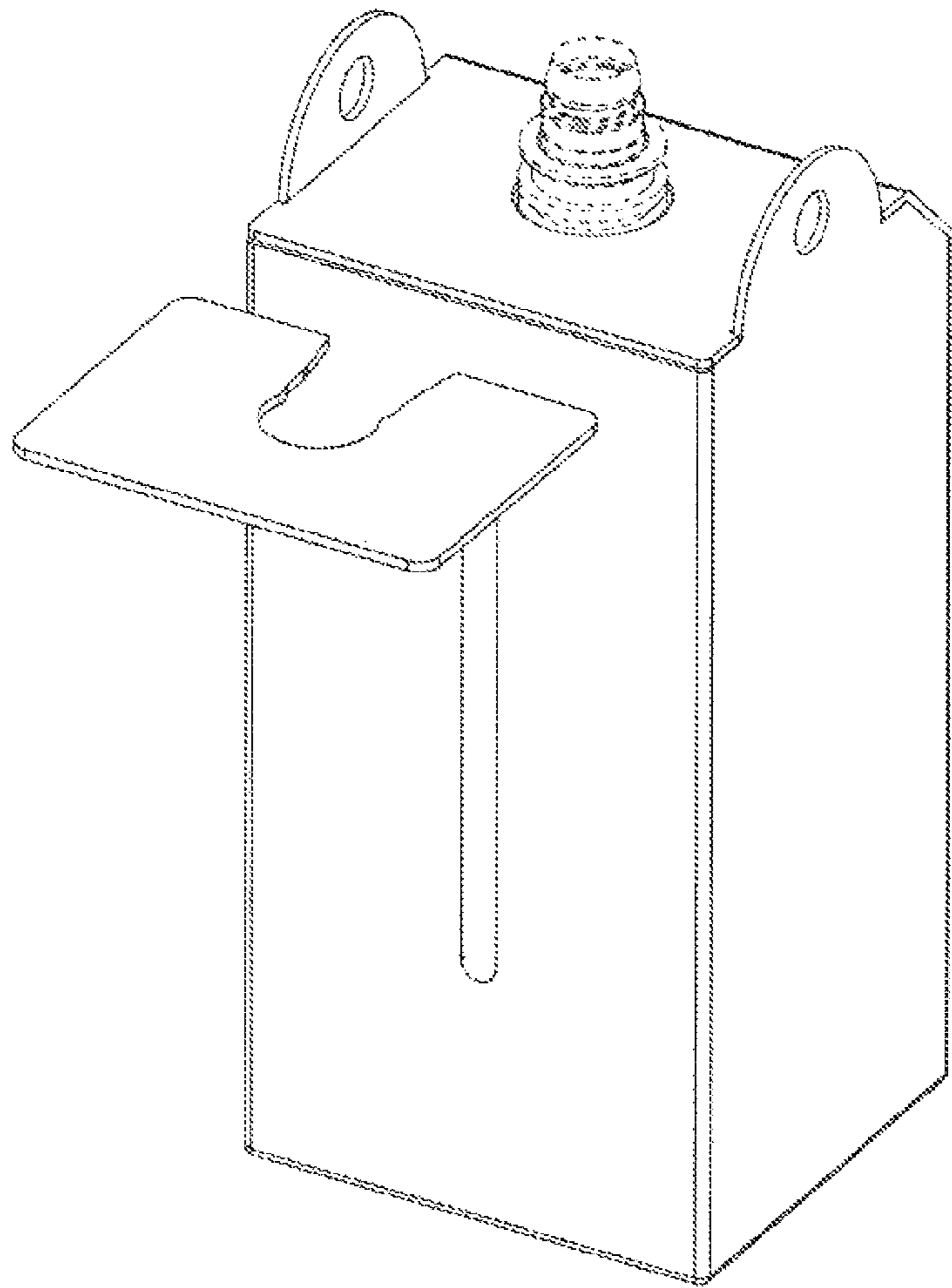


Fig. 4