

US00D671403S

(12) **United States Design Patent**
Ronan et al.

(10) **Patent No.:** **US D671,403 S**

(45) **Date of Patent:** **** Nov. 27, 2012**

- (54) **FRUIT PACKAGING CONTAINER**
- (75) Inventors: **Douglas Ronan**, Aptos, CA (US); **Steve Skotzke**, Santa Cruz, CA (US)
- (73) Assignee: **Driscoll Strawberry Associates, Inc.**, Watsonville, CA (US)

7,832,585	B2	11/2010	Sambrailo	
D640,547	S *	6/2011	Guillemin et al. D9/428
8,011,566	B2 *	9/2011	Robertson et al. 229/125.13
2005/0218150	A1	10/2005	Cadiente	
2006/0032859	A1	2/2006	Cadiente	
2007/0007293	A1	1/2007	Sambrailo	
2009/0230177	A1 *	9/2009	Robertson et al. 229/123.3
2010/0155267	A1	6/2010	Cadiente	

- (**) Term: **14 Years**
- (21) Appl. No.: **29/396,004**

- (22) Filed: **Jun. 23, 2011**
 - (51) **LOC (9) Cl.** **09-03**
 - (52) **U.S. Cl.** **D9/427; D9/423; D9/428**
 - (58) **Field of Classification Search** D9/423, D9/424, 425, 427, 428, 430, 431, 761; D7/538, D7/549, 550.1, 601-603, 605, 629; 220/23.4, 220/23.6, 266, 281, 315, 318, 500, 659, 669, 220/674, 675, 696, 752, 760, 790, 793, DIG. 12, 220/FOR. 117; 229/105, 117.09, 117.26, 229/189, 406, 407, 902, 905, 915.1; 206/499, 206/508, 557; D3/276
- See application file for complete search history.

(56) **References Cited**

U.S. PATENT DOCUMENTS

4,753,351	A *	6/1988	Guillin 206/520
5,638,978	A	6/1997	Cadiente	
5,738,890	A	4/1998	Cadiente	
5,989,606	A	11/1999	Sambrailo	
6,007,854	A	12/1999	Cadiente	
6,074,676	A	6/2000	Cadiente	
D473,137	S	4/2003	Cadiente	
D483,664	S	12/2003	Cadiente	
D489,254	S *	5/2004	Kocis et al. D9/425
6,962,263	B2	11/2005	Cadiente	
D512,633	S	12/2005	Sambrailo	
D514,932	S	2/2006	Sambrailo	
7,100,788	B2	9/2006	Cadiente	
D556,569	S *	12/2007	Stein et al. D9/428
7,413,094	B2	8/2008	Cadiente	
7,441,672	B2	10/2008	Cadiente	
7,472,799	B2	1/2009	Cadiente	
7,703,628	B2	4/2010	Cadiente	
D620,790	S *	8/2010	Lovett D9/425

OTHER PUBLICATIONS

- Cal Harvest (Mar. 2008) Produce Business, p. 100 "Kiwifruit".
- Coast Produce (Aug. 2009) Produce Business, p. 22 "Snacking Line".
- DEFOR (2008) The Packer, pp. inside cover and p. 5 "Industry leaders Count on the DEFOR Retail-ready Packaging System for Innovation and Value".
- Live Gourmet (Mar. 2008) Produce Business, pp. 98-99 "Hydroponically Grown Living Butter Lettuce".
- Maxim Clamshell Ad (Mar. 2008) Produce Business, p. 148 "The Clean Smooth Clamshell".

(Continued)

Primary Examiner — Thomas Johannes
(74) *Attorney, Agent, or Firm* — Swanson & Bratschun, L.L.C.

(57) **CLAIM**

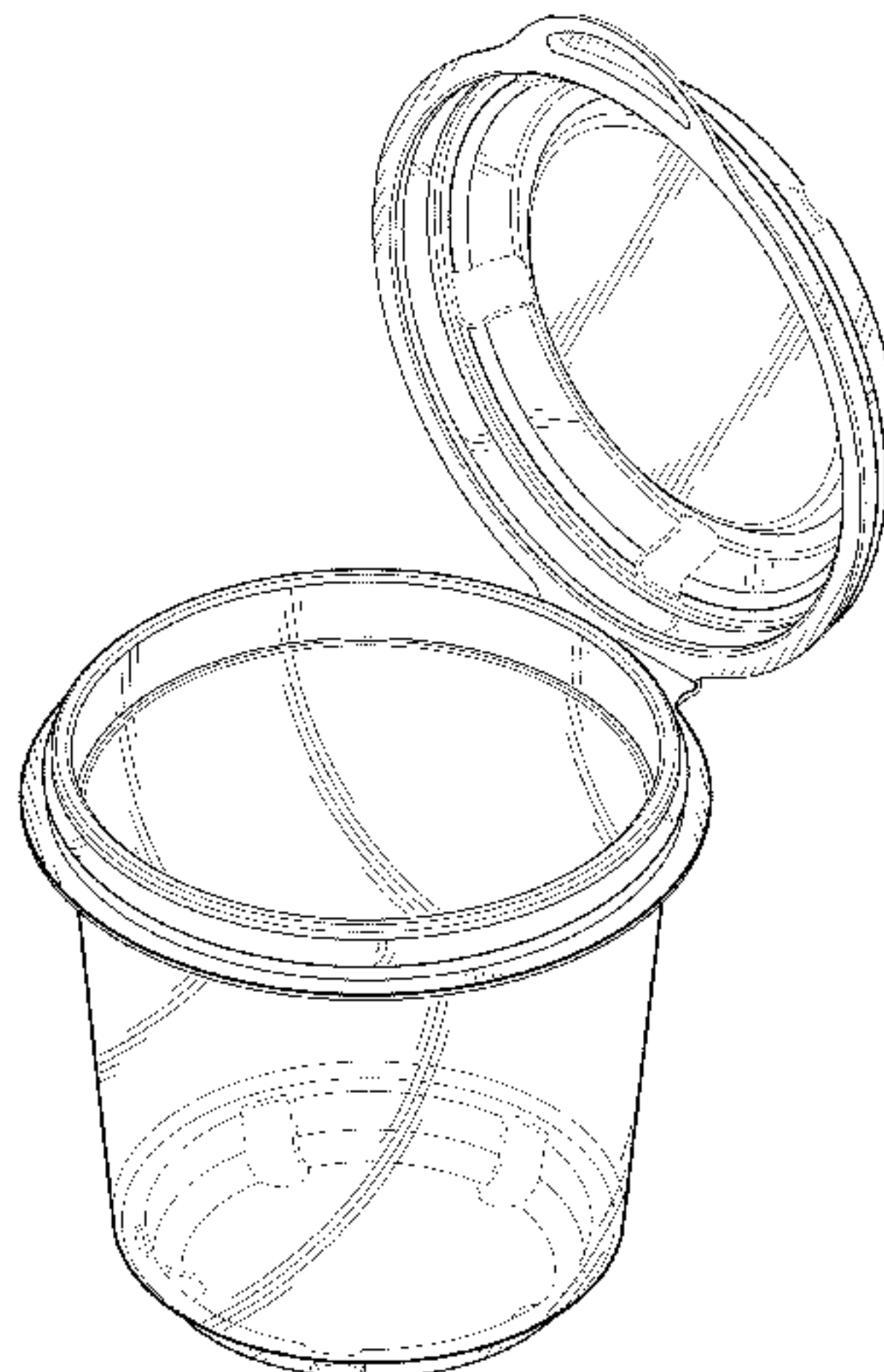
The ornamental design for a fruit packaging container, as shown and described.

DESCRIPTION

FIG. 1 is a top front left perspective view of a fruit packaging container showing our new design;
 FIG. 2 is a left side elevation (right side is a mirror image) thereof;
 FIG. 3 is a front elevation view thereof;
 FIG. 4 is a rear elevation view thereof;
 FIG. 5 is a top plan view thereof;
 FIG. 6 is a bottom plan view thereof; and,
 FIG. 7 is a perspective view thereof.

The broken lines showing portions of the design in all figures is included for the purpose of illustrating environment and unclaimed features and forms not part of the claimed design.

1 Claim, 4 Drawing Sheets



OTHER PUBLICATIONS

Naturipe Farms (Jan. 2007) Produce Merchandising, pp. 2-3 "Berries for Health".

Pacific AgPak Ad (Sep. 2004) Grocery Headquarters, pp. 46-47 "Clamshells".

Sunrise Growers Ad (Apr. 2009) Grocery Headquarters, "Hand-Picked Fresh".

SuperFresh Growers (Mar. 2008) Produce Business, pp. 74-75 "Cherries".

Z&S Fresh (Mar. 2008) Produce Business, pp. 126-127 "Salsa Kits".

* cited by examiner

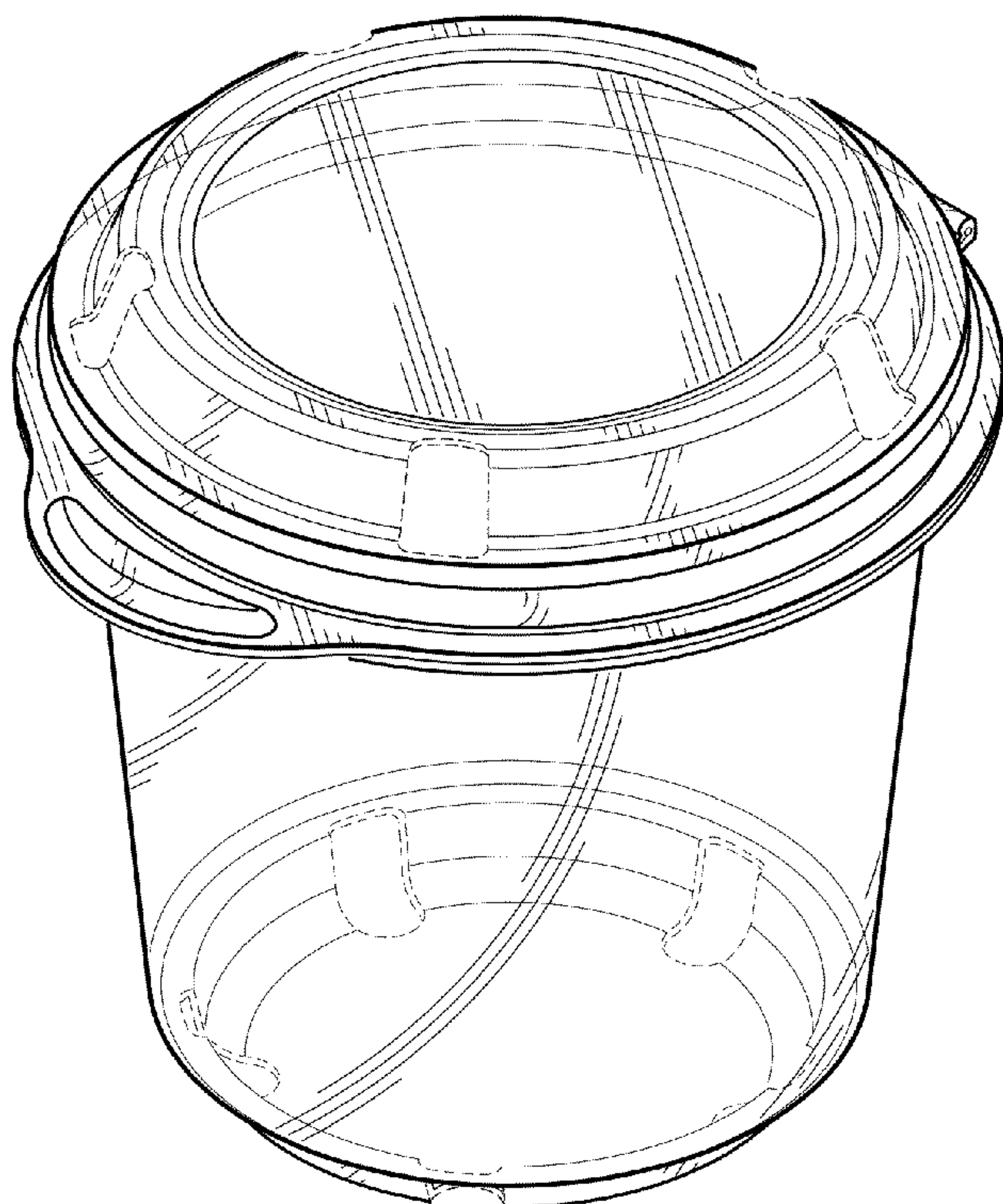


FIG. 1

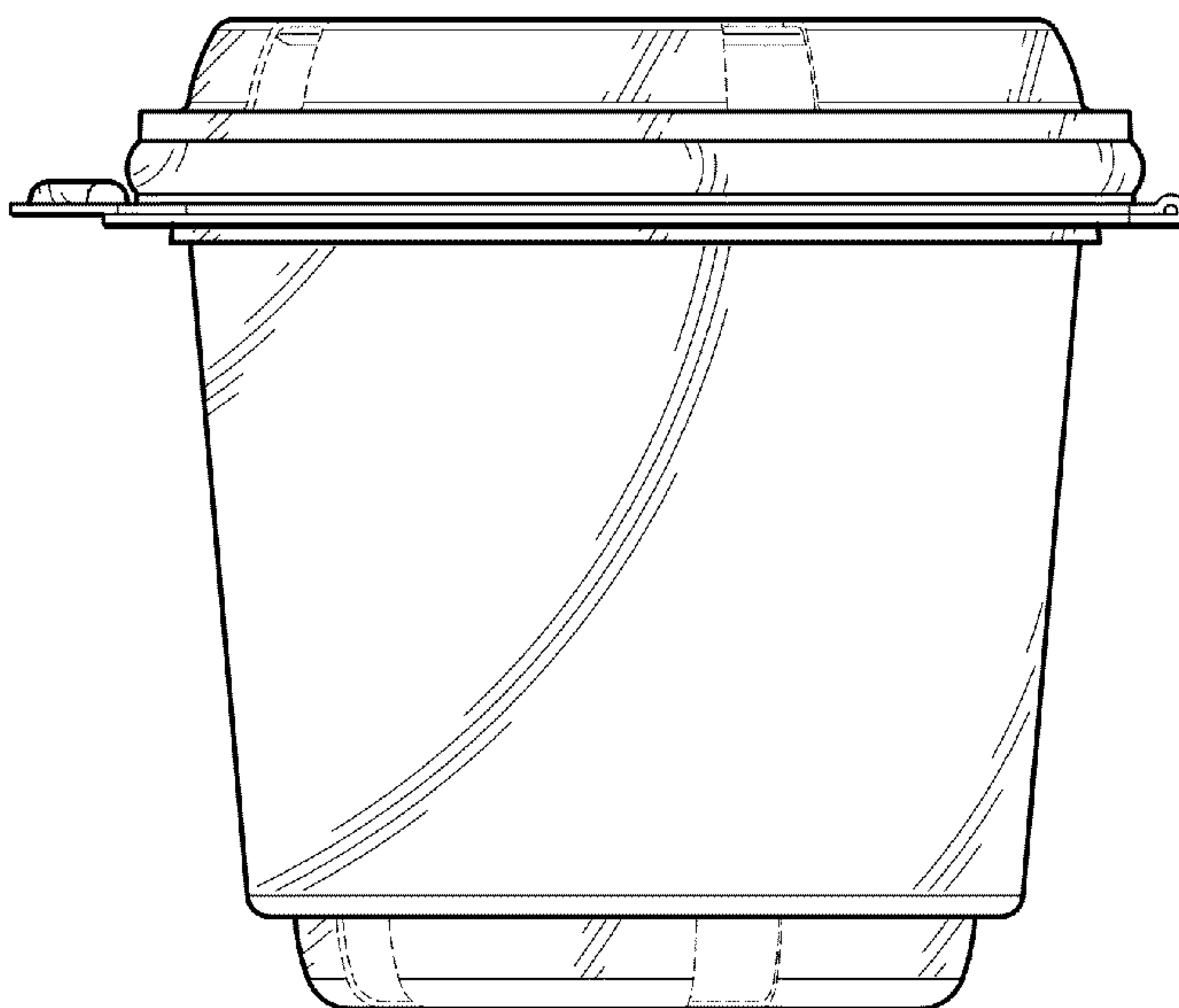


FIG. 2

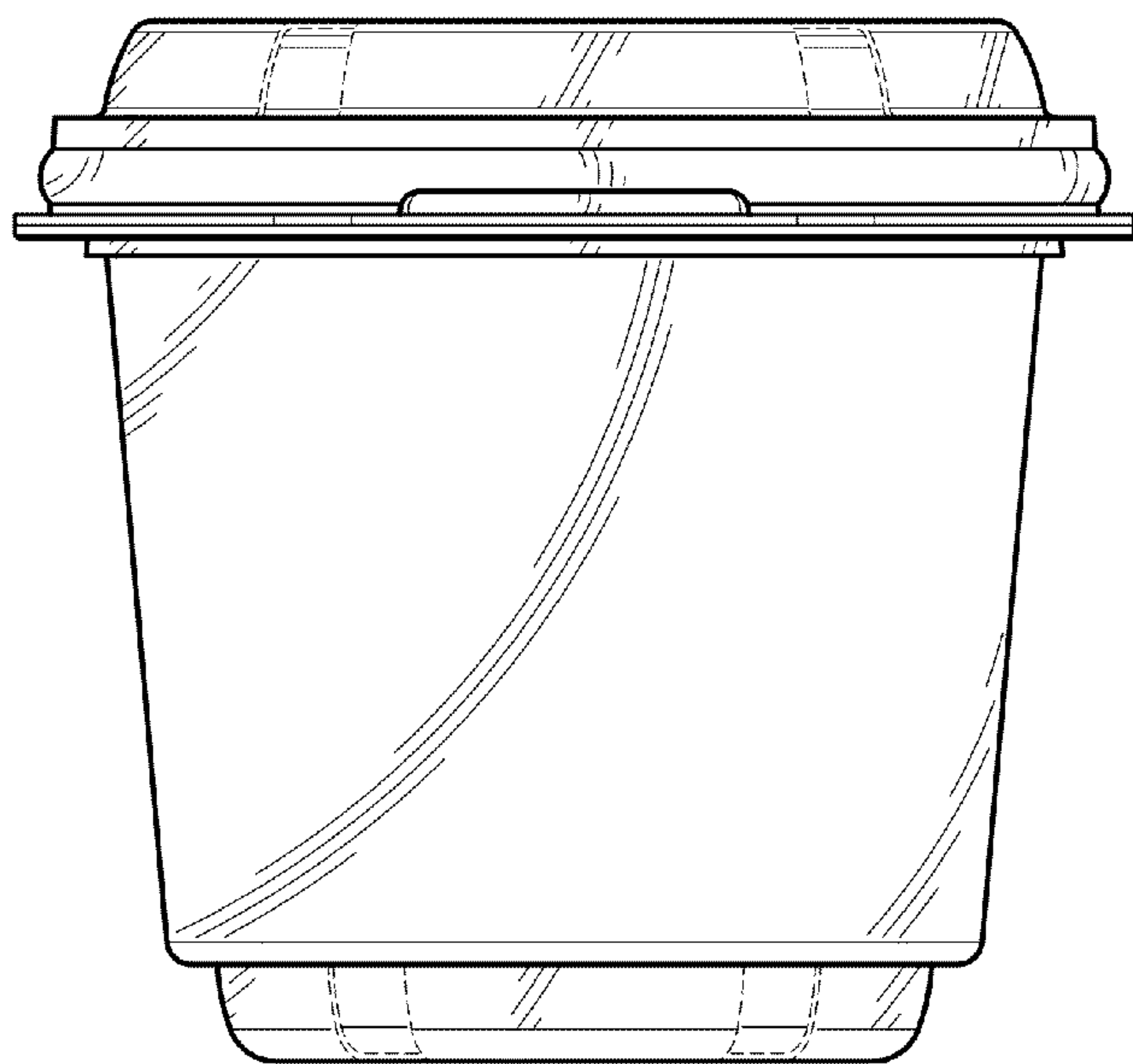


FIG. 3

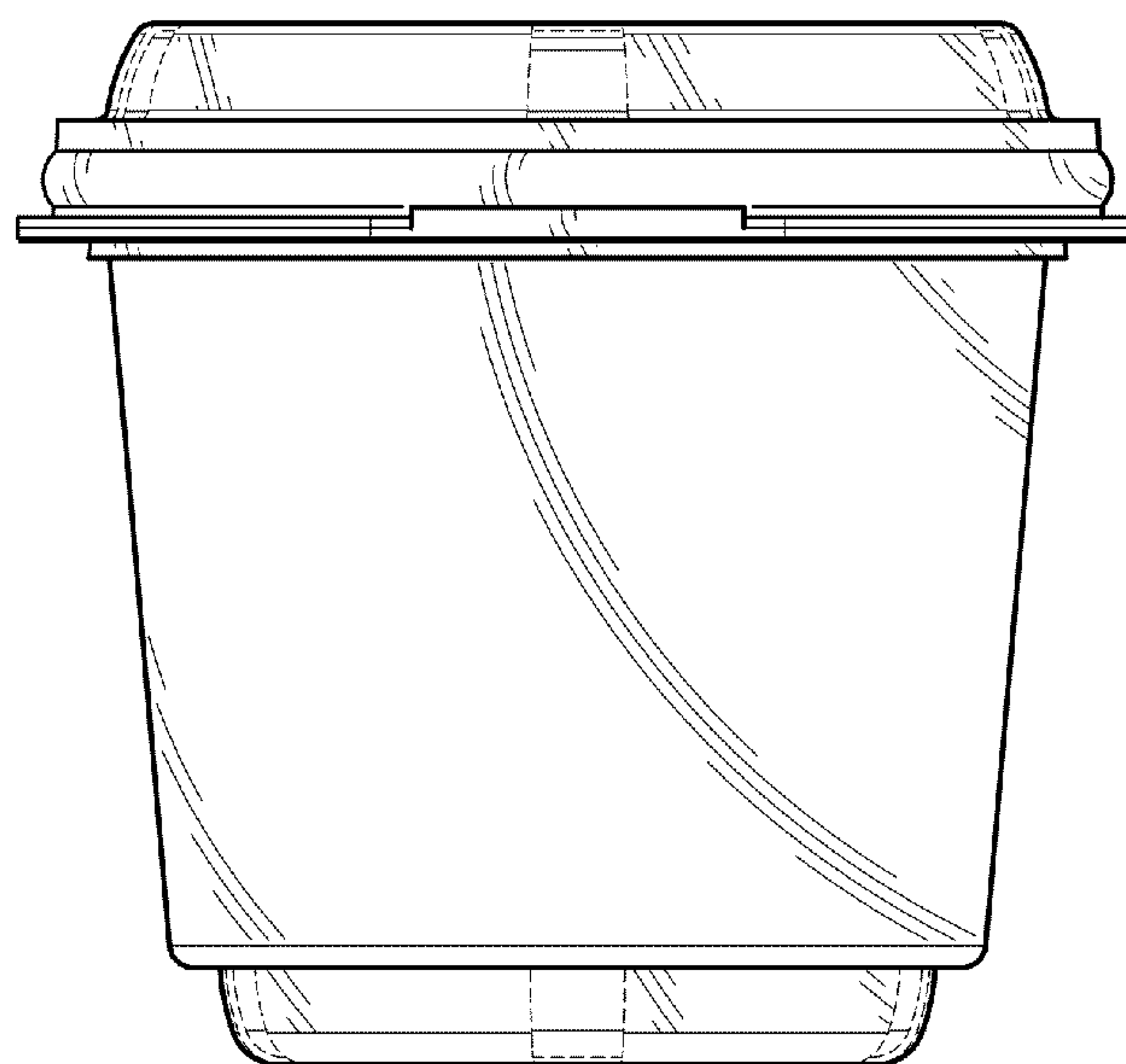


FIG. 4

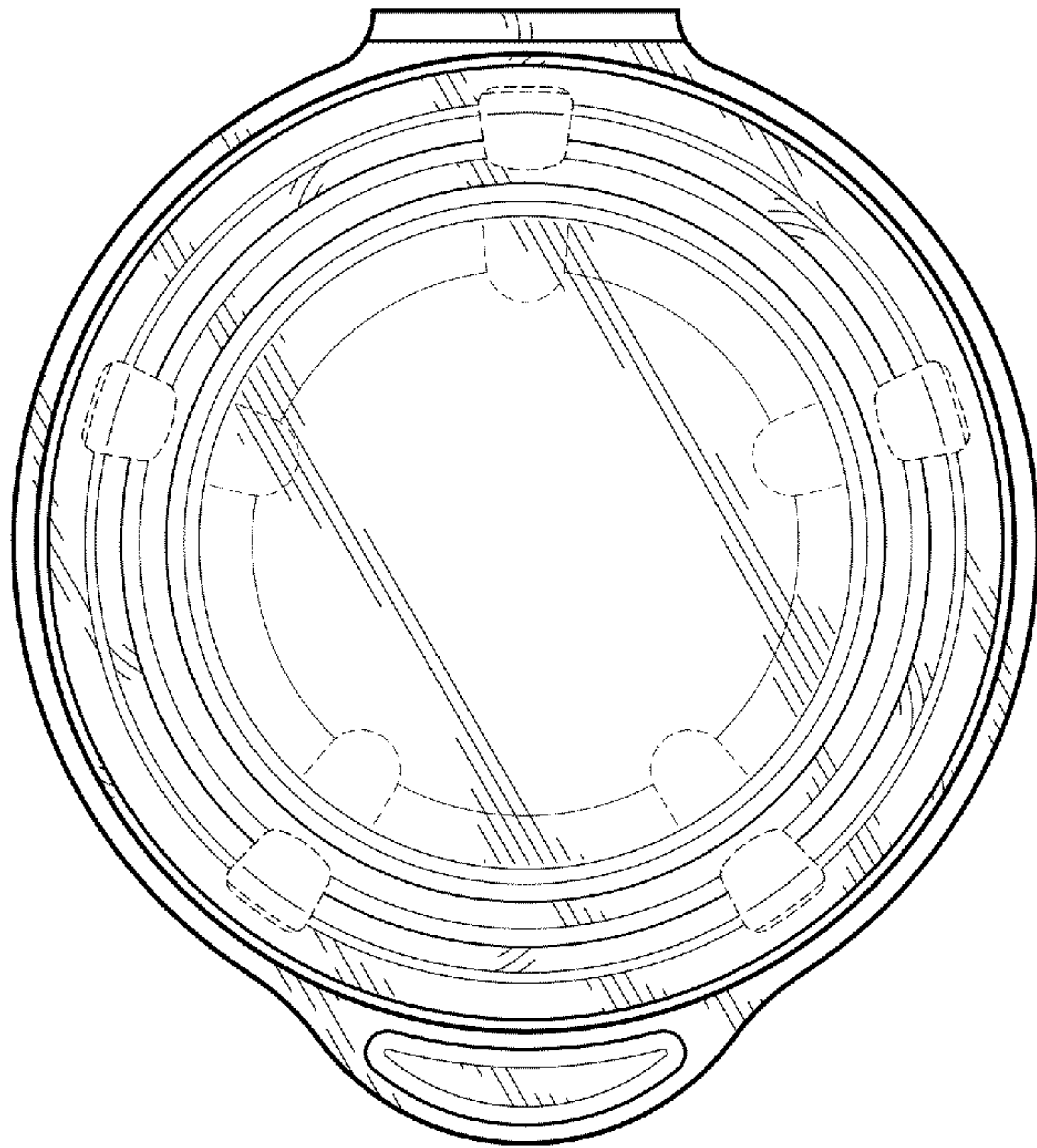


FIG. 5

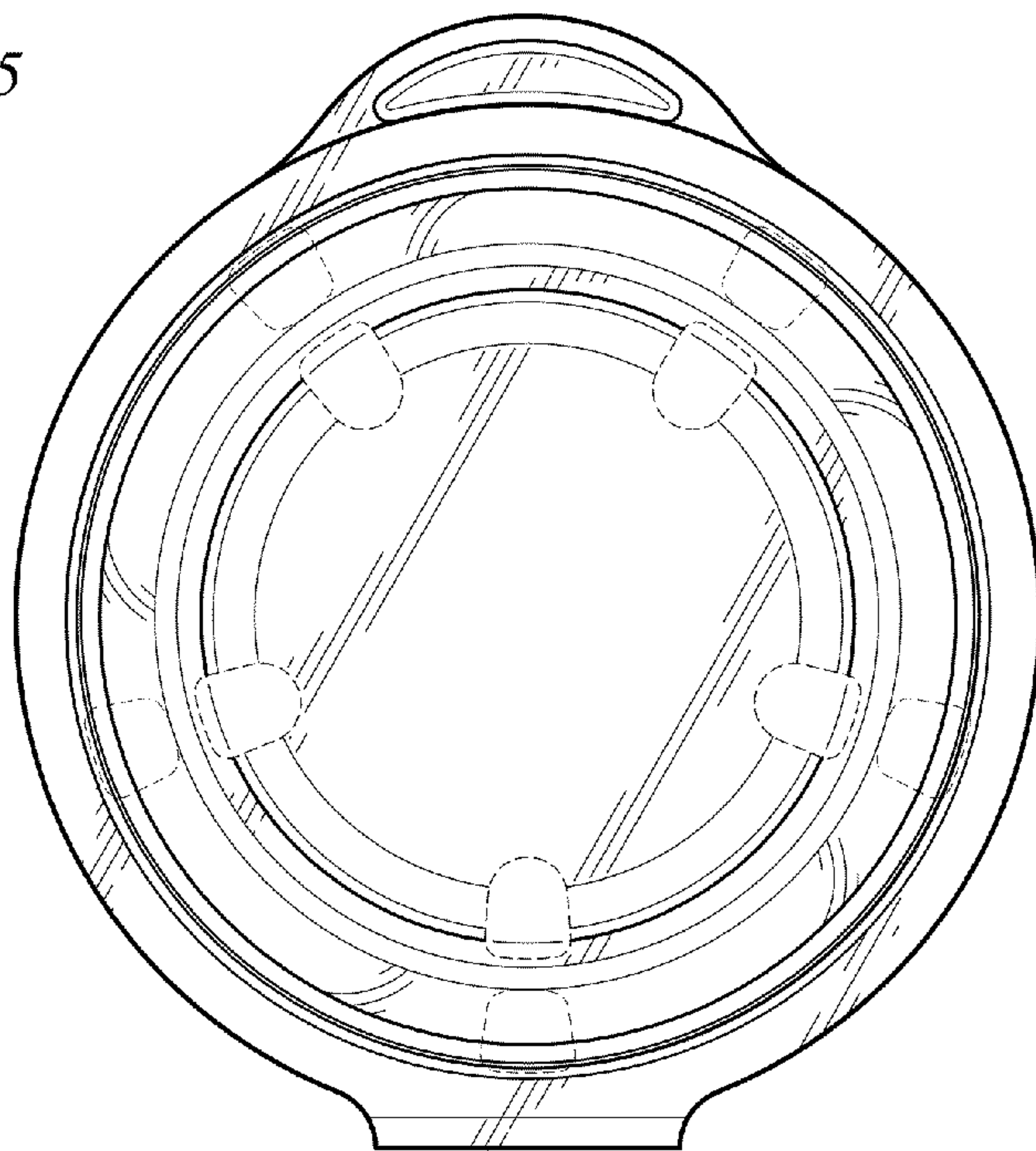


FIG. 6

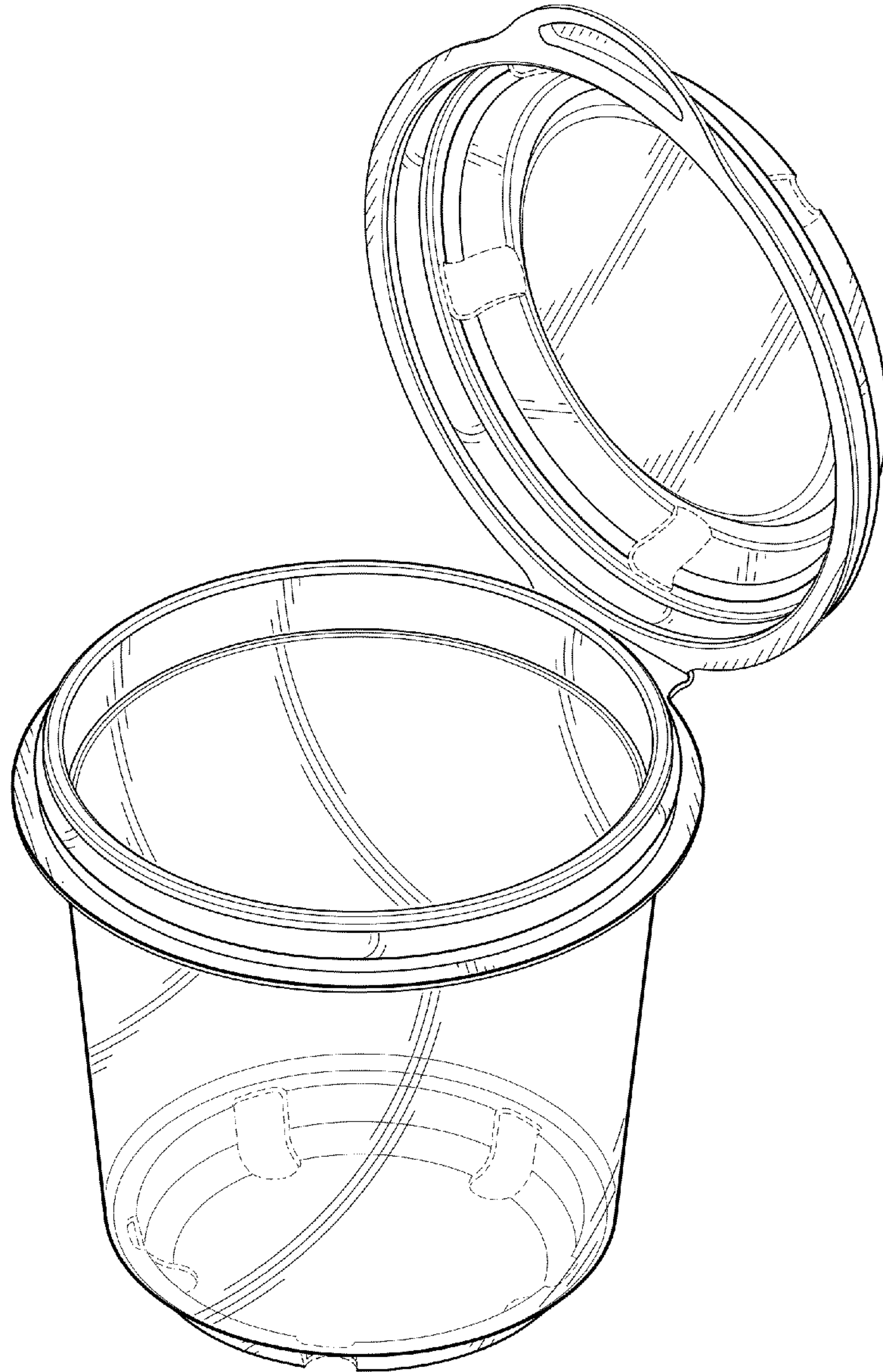


FIG. 7