



US00D671402S

(12) **United States Design Patent**
Charles

(10) **Patent No.:** **US D671,402 S**

(45) **Date of Patent:** **** Nov. 27, 2012**

(54) **PRODUCT PACKAGING**

(76) Inventor: **Lawrence Charles**, Los Angeles, CA
(US)

(**) Term: **14 Years**

(21) Appl. No.: **29/388,553**

(22) Filed: **Mar. 30, 2011**

(51) **LOC (9) Cl.** **09-03**

(52) **U.S. Cl.** **D9/423**

(58) **Field of Classification Search** D9/337,
D9/414, 419, 421, 423, 432, 433, 701, 707,
D9/711, 715, 737, 499; 220/500, 520, 62,
220/668, 670; 206/213.1, 214, 216, 218,
206/223, 256, 258, 306, 443, 525.1, 527;
229/100, 102, 103.11, 120.02, 120.24, 122,
229/125.37, 124, 164.2, 800; D27/185-192
See application file for complete search history.

(56) **References Cited**

U.S. PATENT DOCUMENTS

1,871,706	A *	8/1932	Krebs	206/45.29
3,246,740	A *	4/1966	Reynolds	206/362
3,313,407	A *	4/1967	Palm, Jr.	206/526
D315,297	S *	3/1991	Campbell	D9/721
5,036,982	A	8/1991	Aston		
D345,101	S *	3/1994	Abrams	D9/423
5,358,116	A *	10/1994	Brintazzoli	206/485
D438,101	S *	2/2001	Koster	D9/721
D490,705	S *	6/2004	Olsson	D9/432
D505,600	S	5/2005	Woody		
D589,363	S *	3/2009	Vandecasteele et al.	D9/721
D606,855	S	12/2009	Jo et al.		
D617,635	S	6/2010	Gould		

D629,296	S	12/2010	De Muynck		
D638,307	S *	5/2011	Rossi et al.	D9/721
D651,097	S *	12/2011	Charles	D9/721

* cited by examiner

Primary Examiner — Thomas Johannes

(74) *Attorney, Agent, or Firm* — DLA Piper LLP (US)

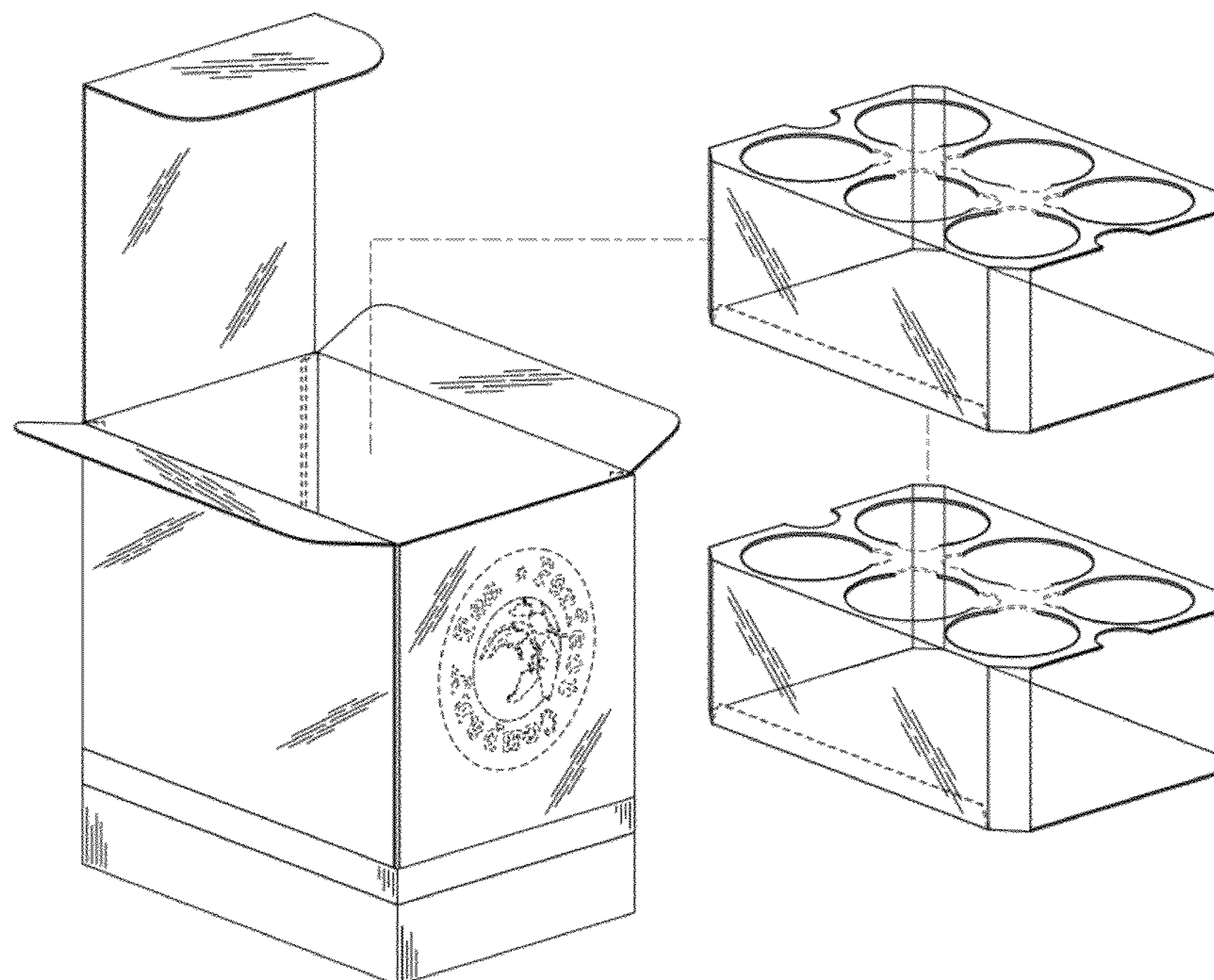
(57) **CLAIM**

The ornamental design for product packaging, substantially as shown and described.

DESCRIPTION

FIG. 1 is a perspective view of product packaging showing our new design;
 FIG. 2 is a perspective view thereof with the lid of the product packaging open exposing a product tray inside of the product packaging;
 FIG. 3 is a perspective view thereof with the lid of the product packaging open and two product trays (depicted without environmental structure) removed from the interior of the product packaging;
 FIG. 4 is a front elevation view thereof;
 FIG. 5 is a rear elevation view thereof;
 FIG. 6 is a top plan view thereof;
 FIG. 7 is a bottom plan view thereof;
 FIG. 8 is a right elevation view thereof; and,
 FIG. 9 is a left elevation view thereof.
 The broken lines show unclaimed subject matter only and form no part of the claimed design.
 The special dot-dash broken lines in FIGS. 2 and 3 signify the spatial relationship of the parts of the design.

1 Claim, 9 Drawing Sheets



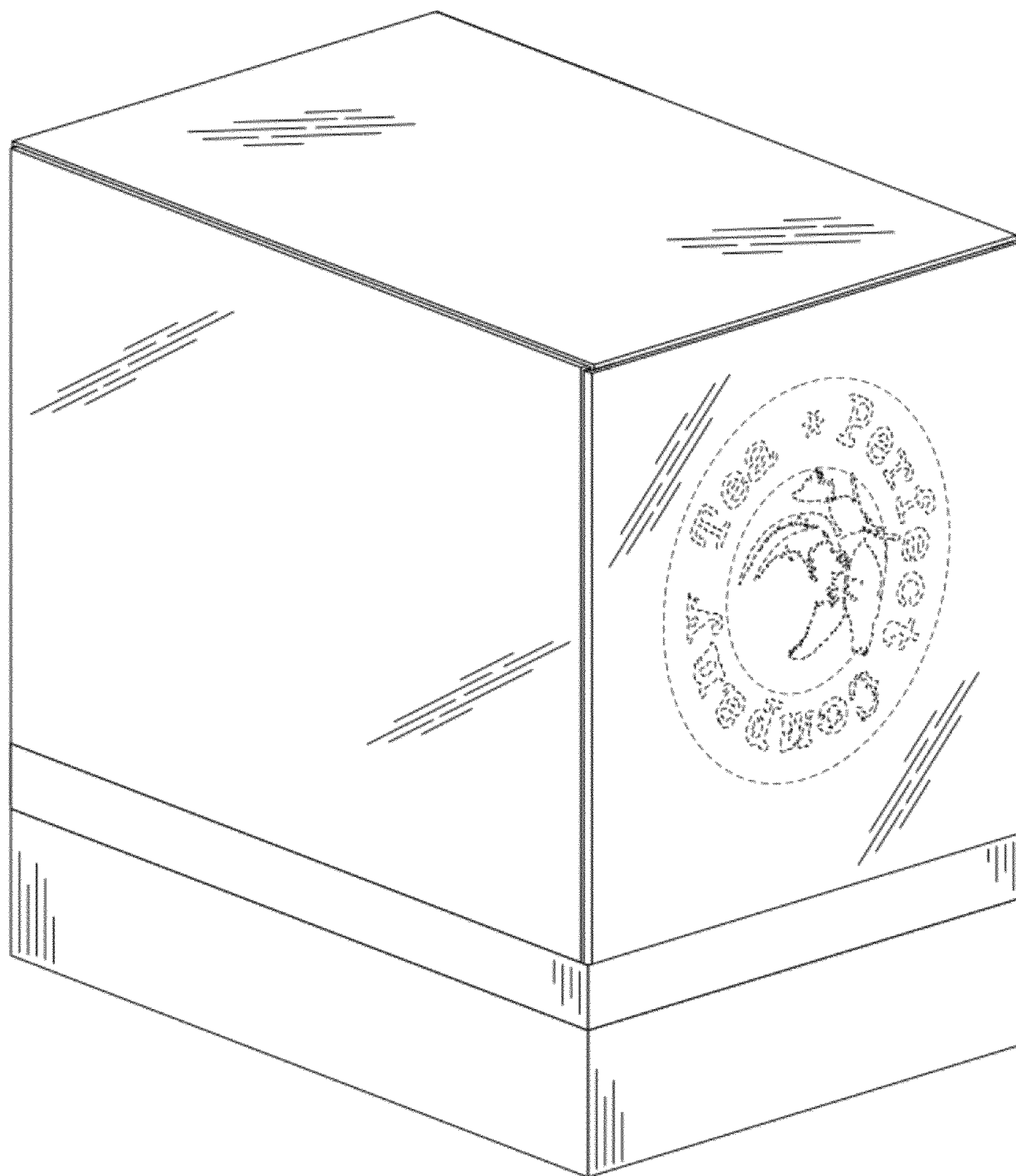


FIG. 1

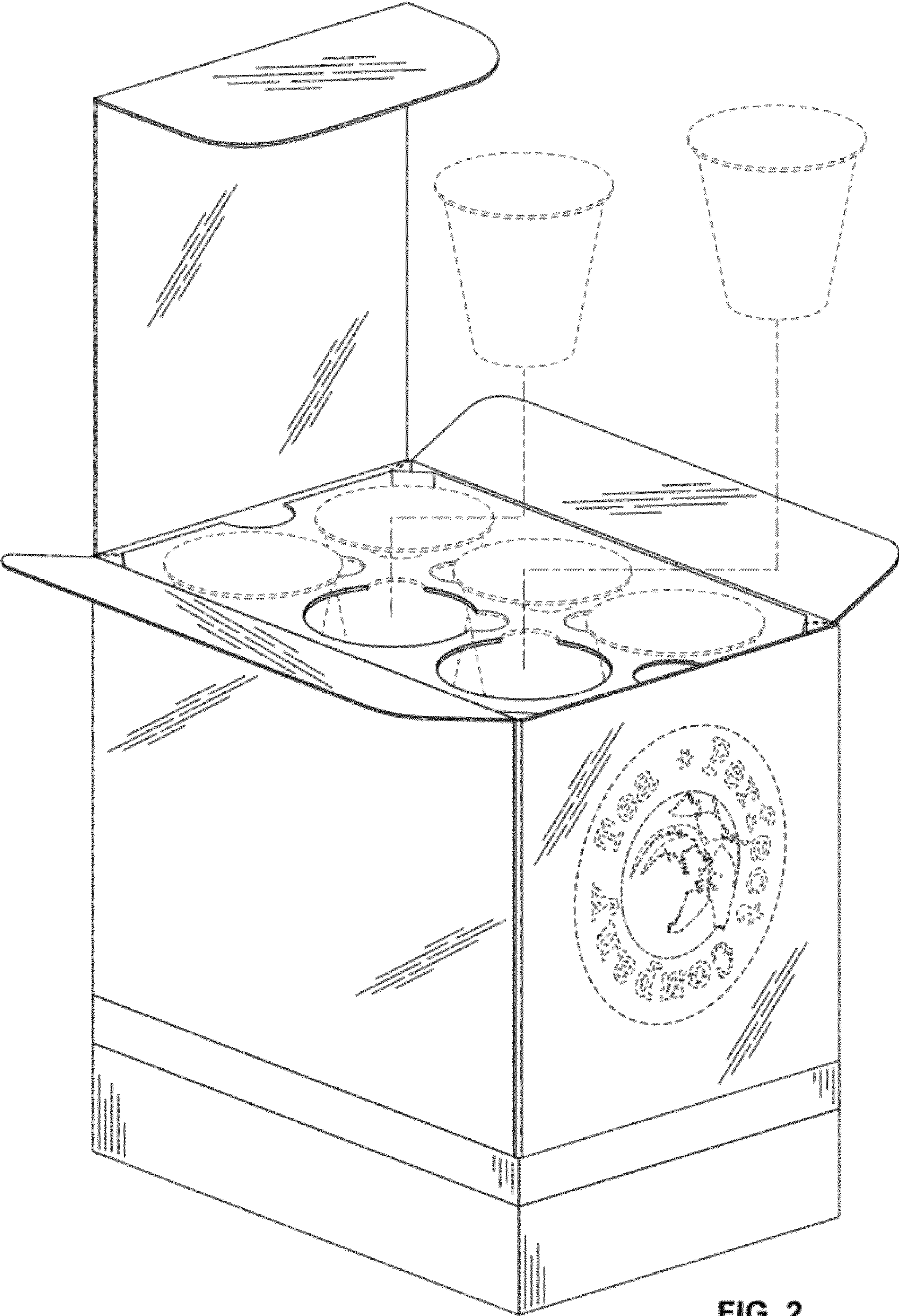


FIG. 2

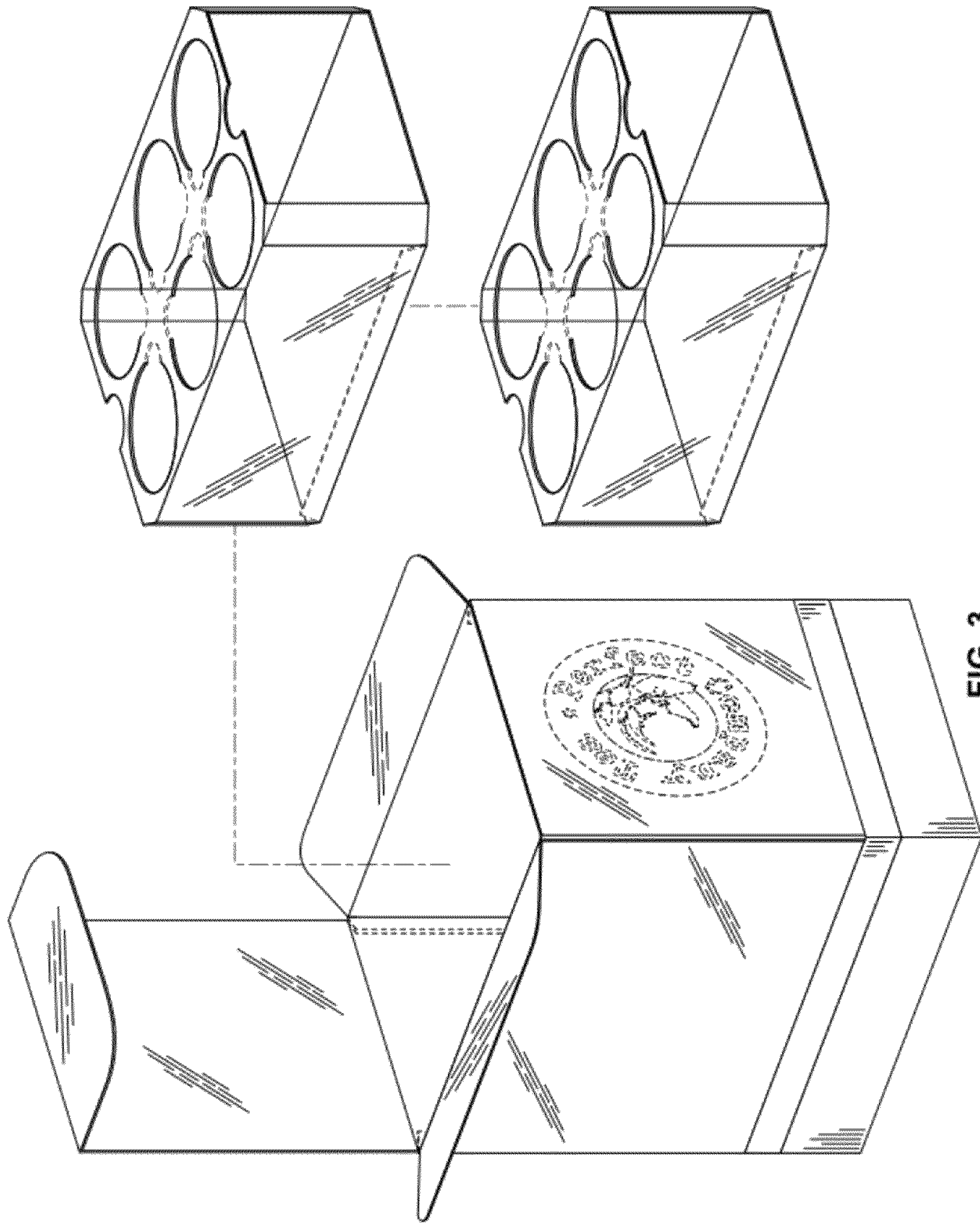


FIG. 3

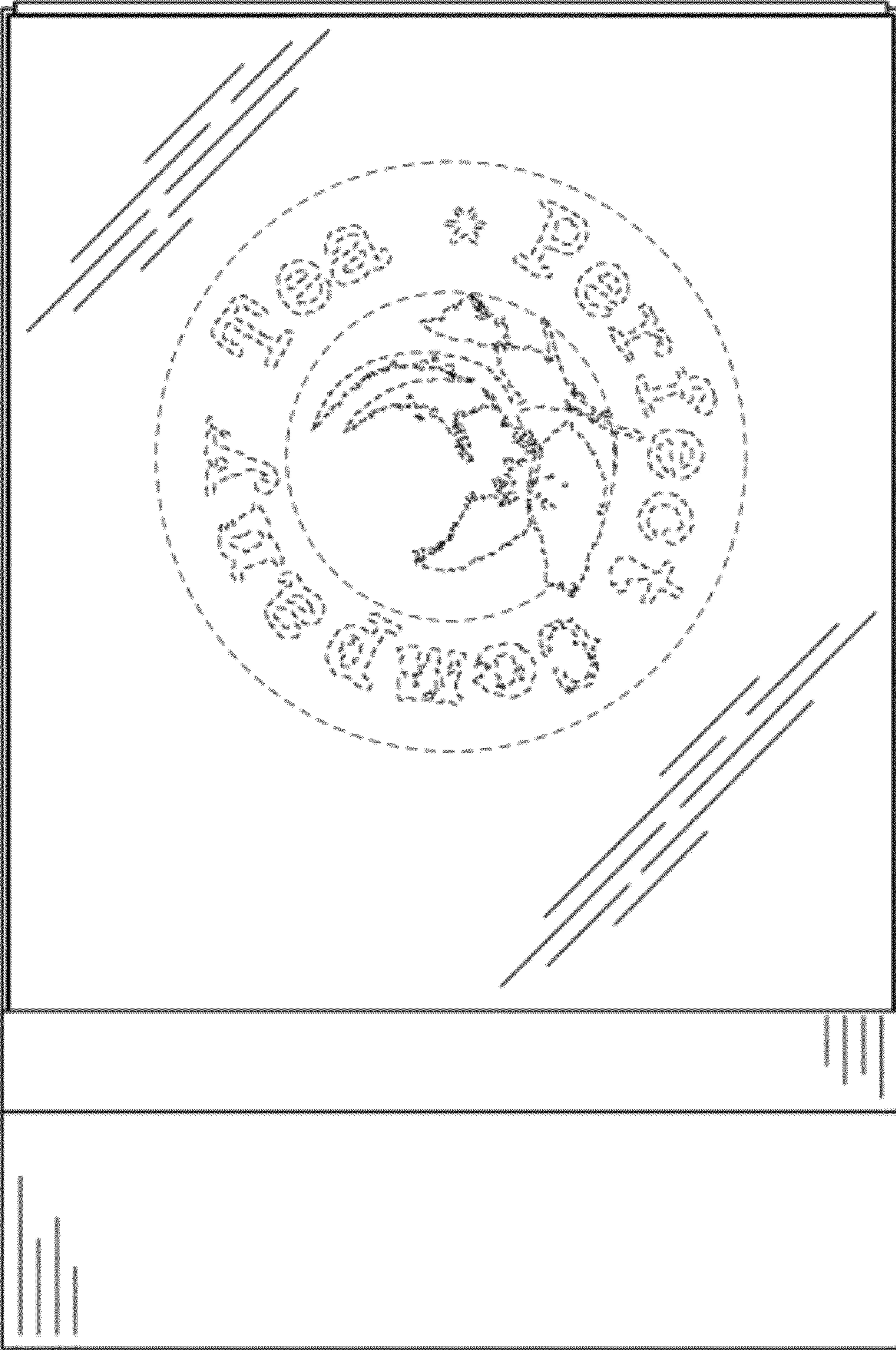


FIG. 4

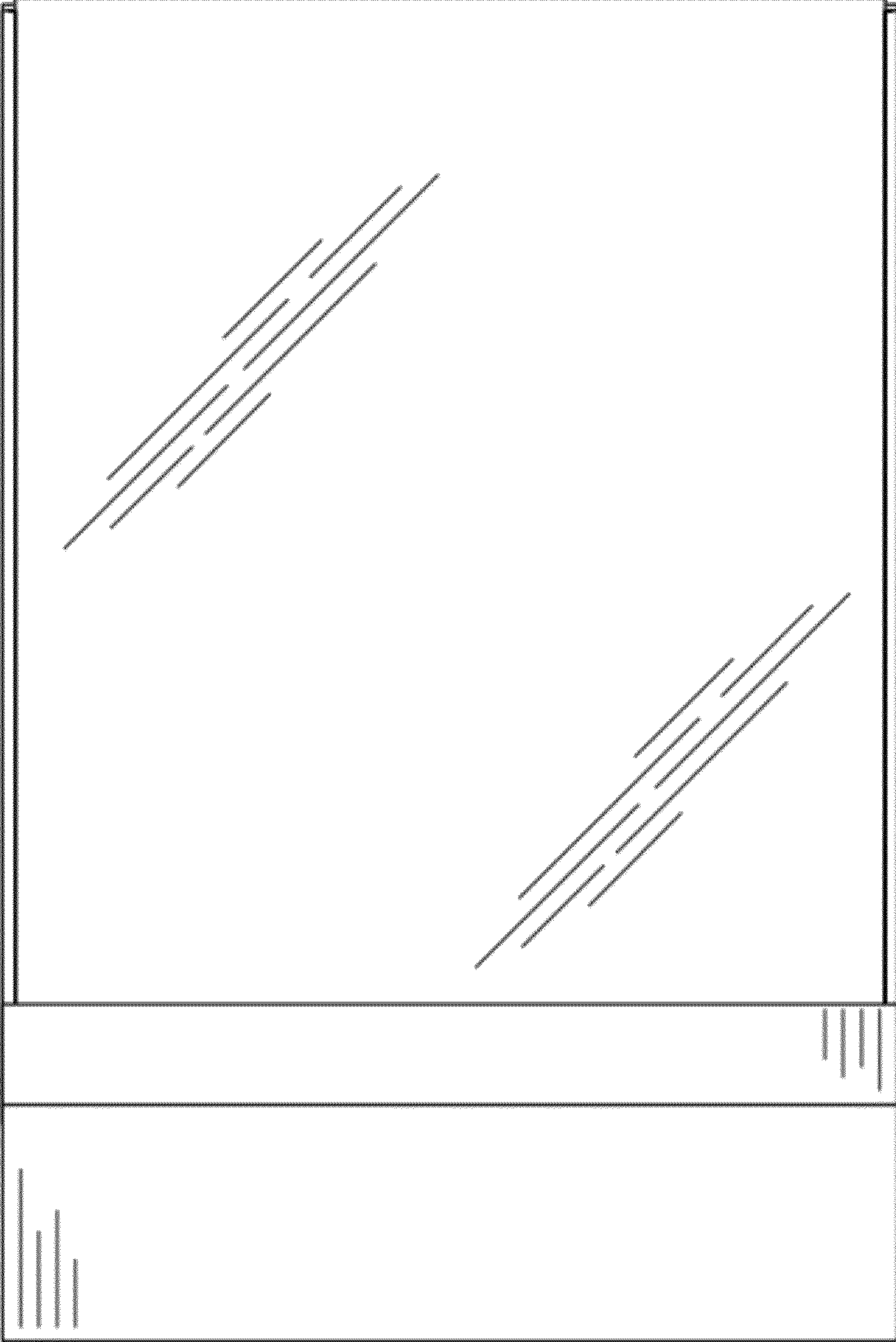


FIG. 5

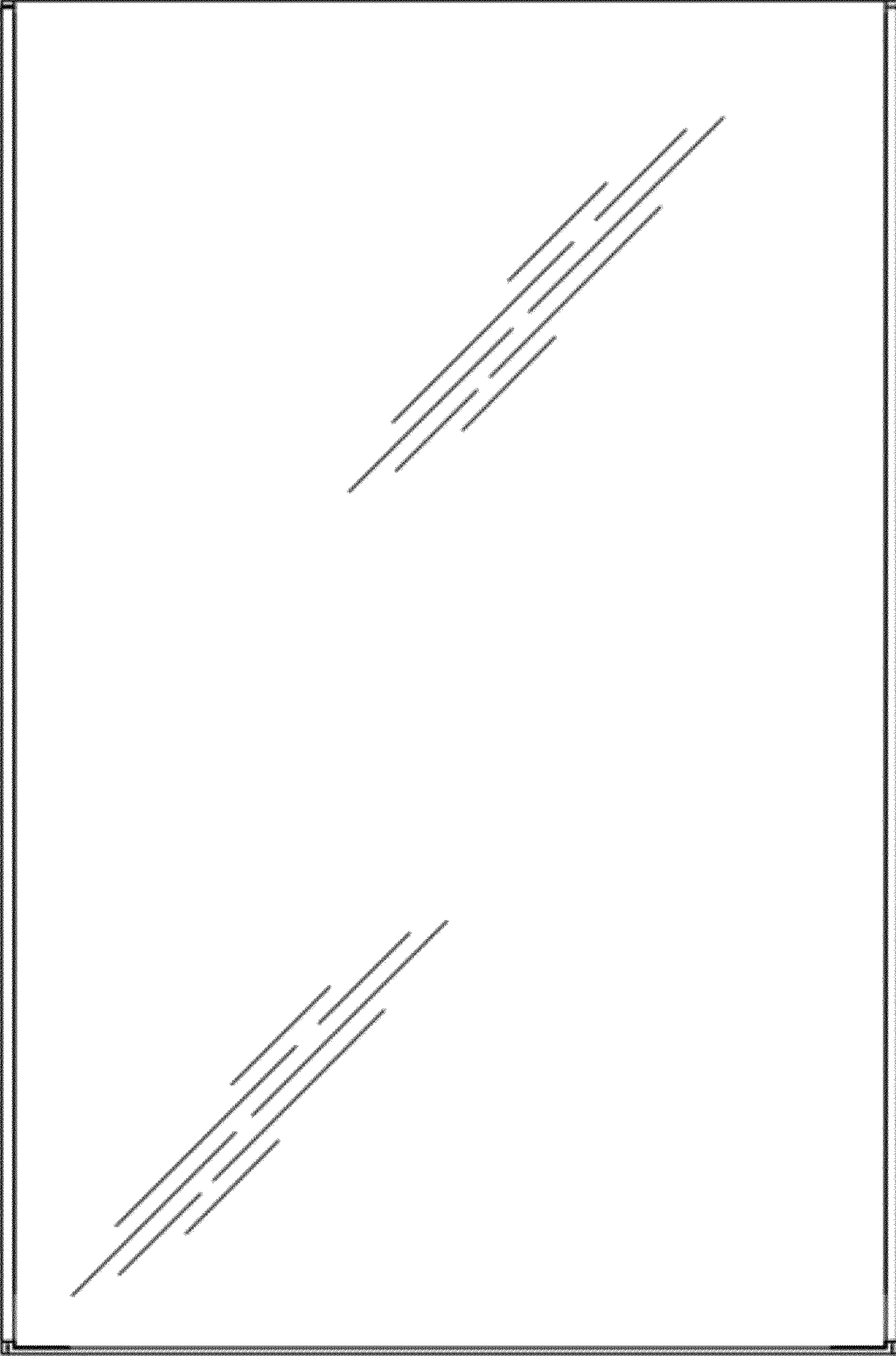


FIG. 6

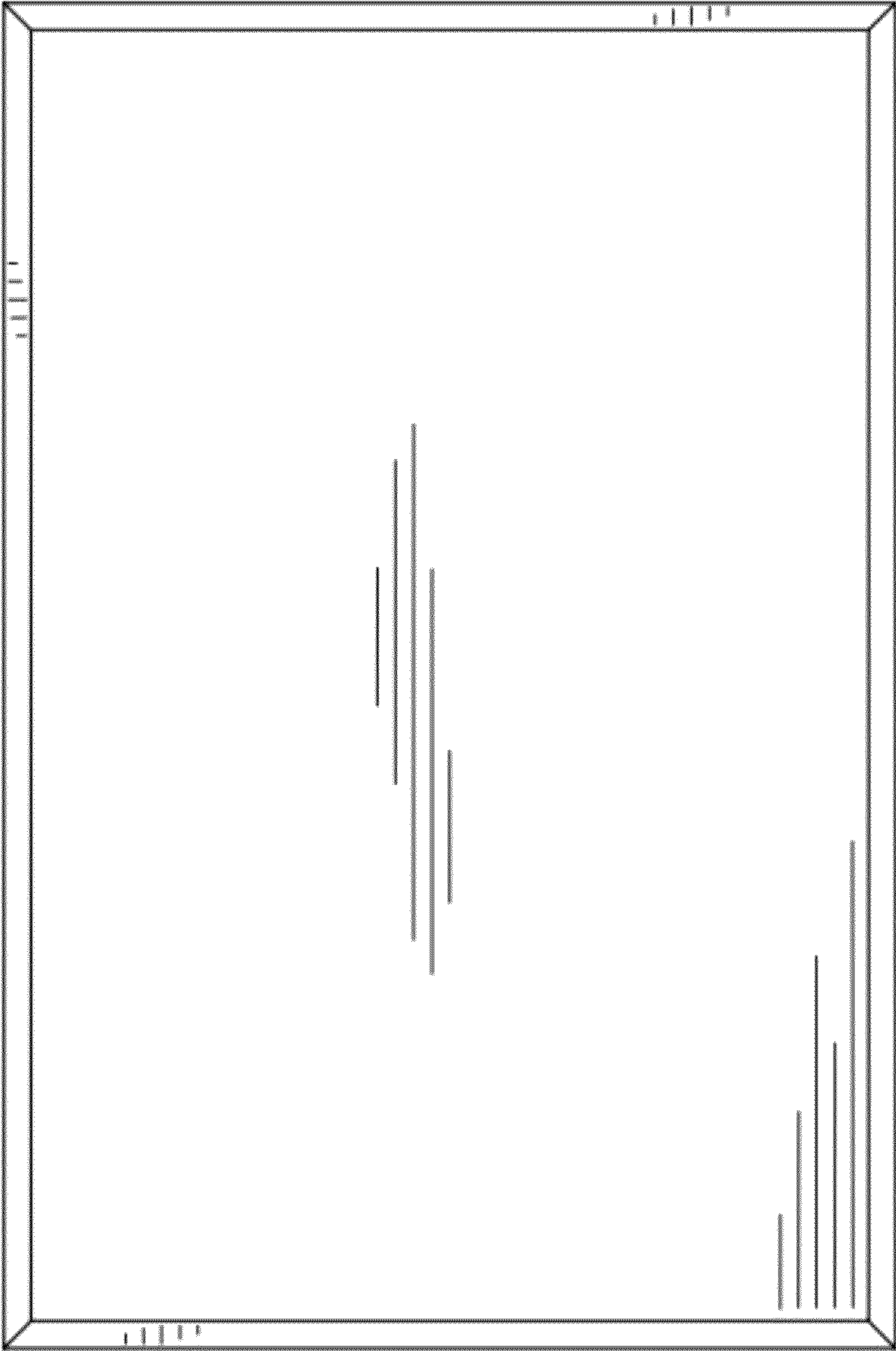


FIG. 7

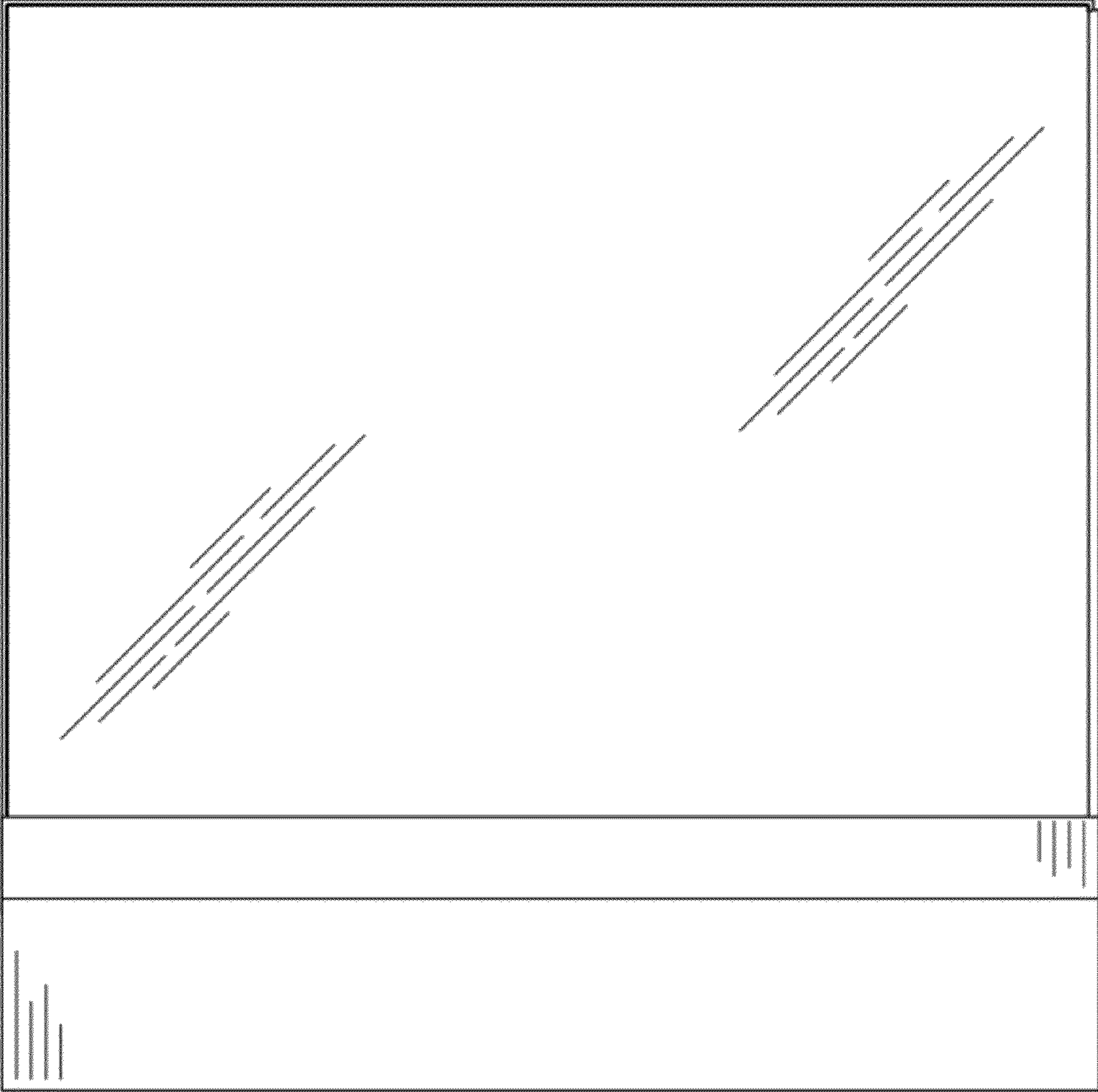


FIG. 8

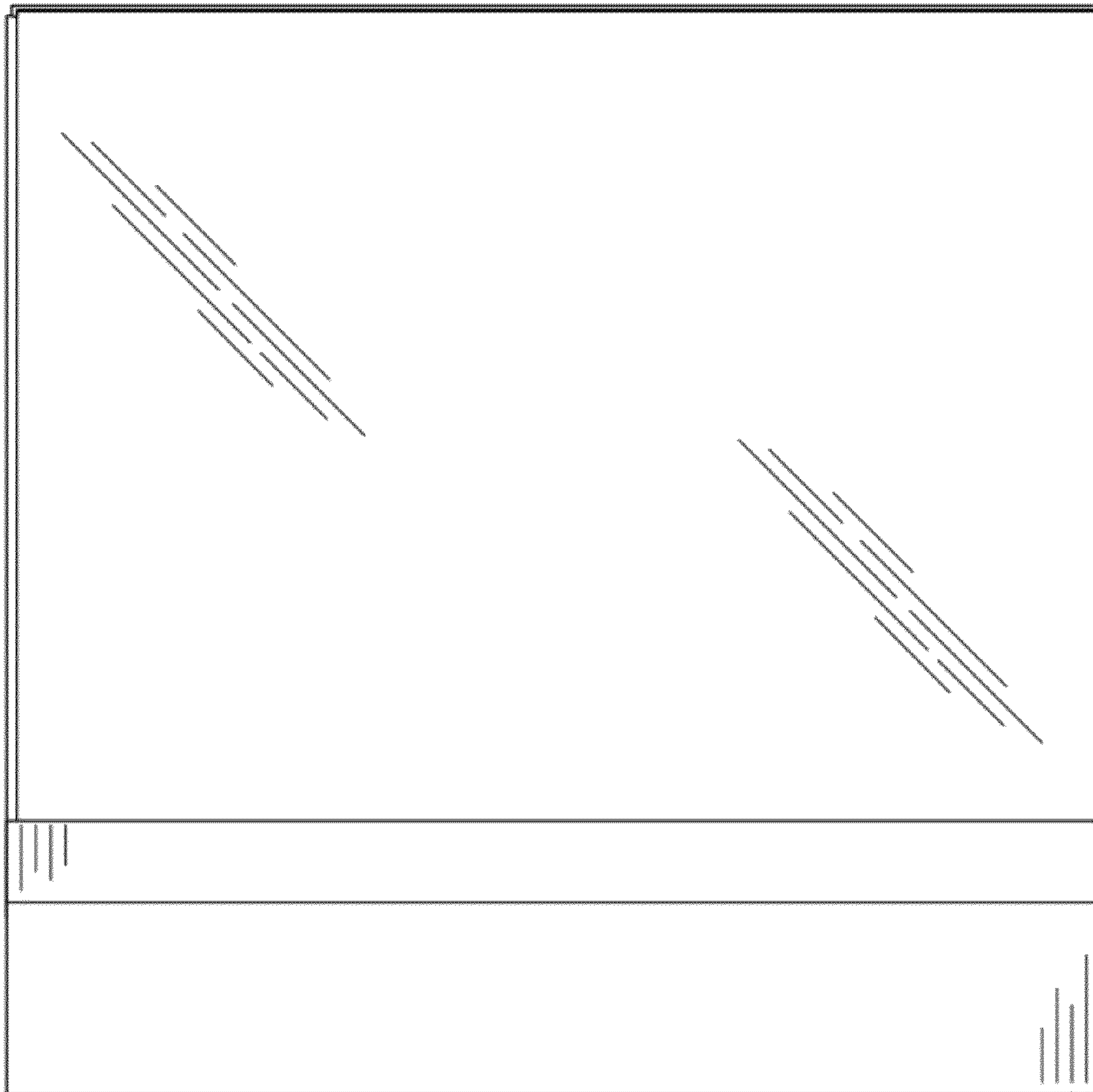


FIG. 9