



US00D671400S

(12) **United States Design Patent**  
**Armstrong et al.**

(10) **Patent No.:** **US D671,400 S**

(45) **Date of Patent:** **\*\* Nov. 27, 2012**

(54) **PACKAGING**

(75) Inventors: **Mark Armstrong**, Gwynedd (GB); **Dale Mark Nicholls**, Mitchum (GB); **Terry Xu**, Shanghai (CN); **Johnny Xu**, Shanghai (CN); **Ronald Menno Victor Wienia**, Shanghai (CN)

(73) Assignee: **Koninklijke Philips Electronics N.V.**, Eindhoven (NL)

(\*\*) Term: **14 Years**

(21) Appl. No.: **29/396,577**

(22) Filed: **Jul. 1, 2011**

(30) **Foreign Application Priority Data**

Jan. 4, 2011 (EM) ..... 001801176-0003

(51) **LOC (9) Cl.** ..... **09-03**

(52) **U.S. Cl.** ..... **D9/415**

(58) **Field of Classification Search** ..... D9/715,  
D9/718, 721, 722, 737, 414-436; 206/461-471,  
206/278, 292, 722-728, 349-383, 457, 459.5,  
206/775-783, 806, 822

See application file for complete search history.

(56) **References Cited**

**U.S. PATENT DOCUMENTS**

D180,763 S \* 8/1957 Bond et al. .... D9/415  
3,066,790 A \* 12/1962 Armbruster ..... 206/305  
D207,805 S \* 5/1967 Nowak ..... D9/418  
D212,076 S \* 8/1968 Katz ..... D9/457  
D231,201 S \* 4/1974 Bonfitto ..... D9/418  
4,191,289 A \* 3/1980 Austin ..... 206/780  
D278,596 S \* 4/1985 Ceraulo ..... D9/759

D298,607 S \* 11/1988 Didia ..... D9/415  
D313,753 S \* 1/1991 Nagasaka ..... D9/415  
D413,512 S \* 9/1999 Pryde et al. .... D9/415  
D466,405 S \* 12/2002 Lee ..... D9/415  
D541,145 S \* 4/2007 Copp ..... D9/415  
D618,539 S \* 6/2010 Ruth ..... D9/415

**FOREIGN PATENT DOCUMENTS**

EM 000188248-0002 \* 9/2004  
EM 000764642-0008 \* 8/2007  
EM 001204036-0001 \* 4/2010  
EM 001732041-0006 \* 7/2010  
WO D063149-005 \* 3/2003  
WO D066517-001 \* 7/2005  
WO D068364-001 \* 12/2006

\* cited by examiner

*Primary Examiner* — Catherine Tuttle

(57) **CLAIM**

The ornamental design for a packaging, as shown and described.

**DESCRIPTION**

FIG. 1 is a perspective view of the packaging showing our new design.

FIG. 2 is a front elevational view thereof;

FIG. 3 is a rear elevational view thereof;

FIG. 4 is a right side elevational view thereof;

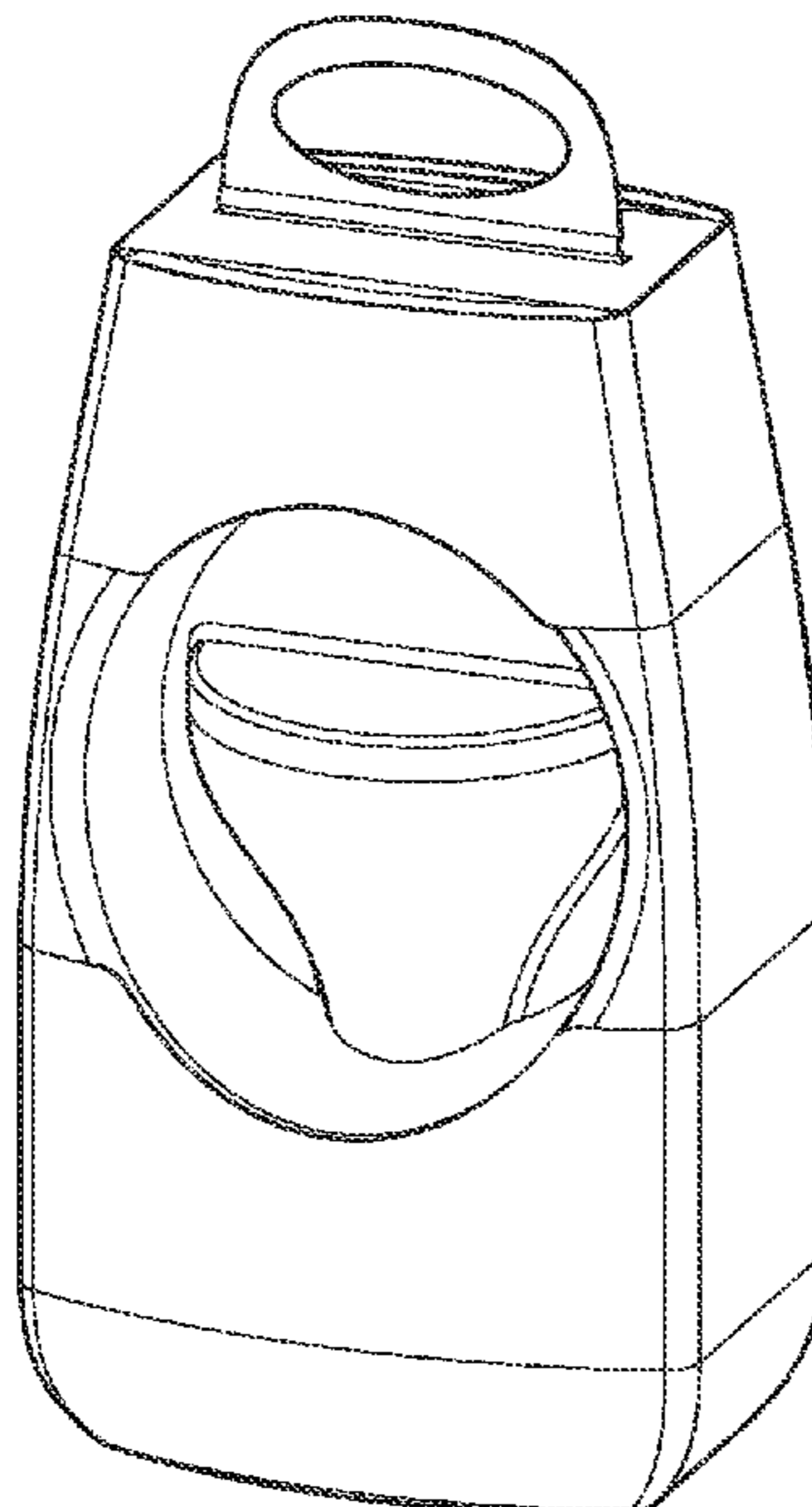
FIG. 5 is a left side elevational view thereof;

FIG. 6 is a top plan view thereof; and,

FIG. 7 is a bottom plan view thereof.

The broken lines shown in FIG. 7 are included for the purpose of illustrating a portion of the packaging that forms no part of the claimed design.

**1 Claim, 4 Drawing Sheets**



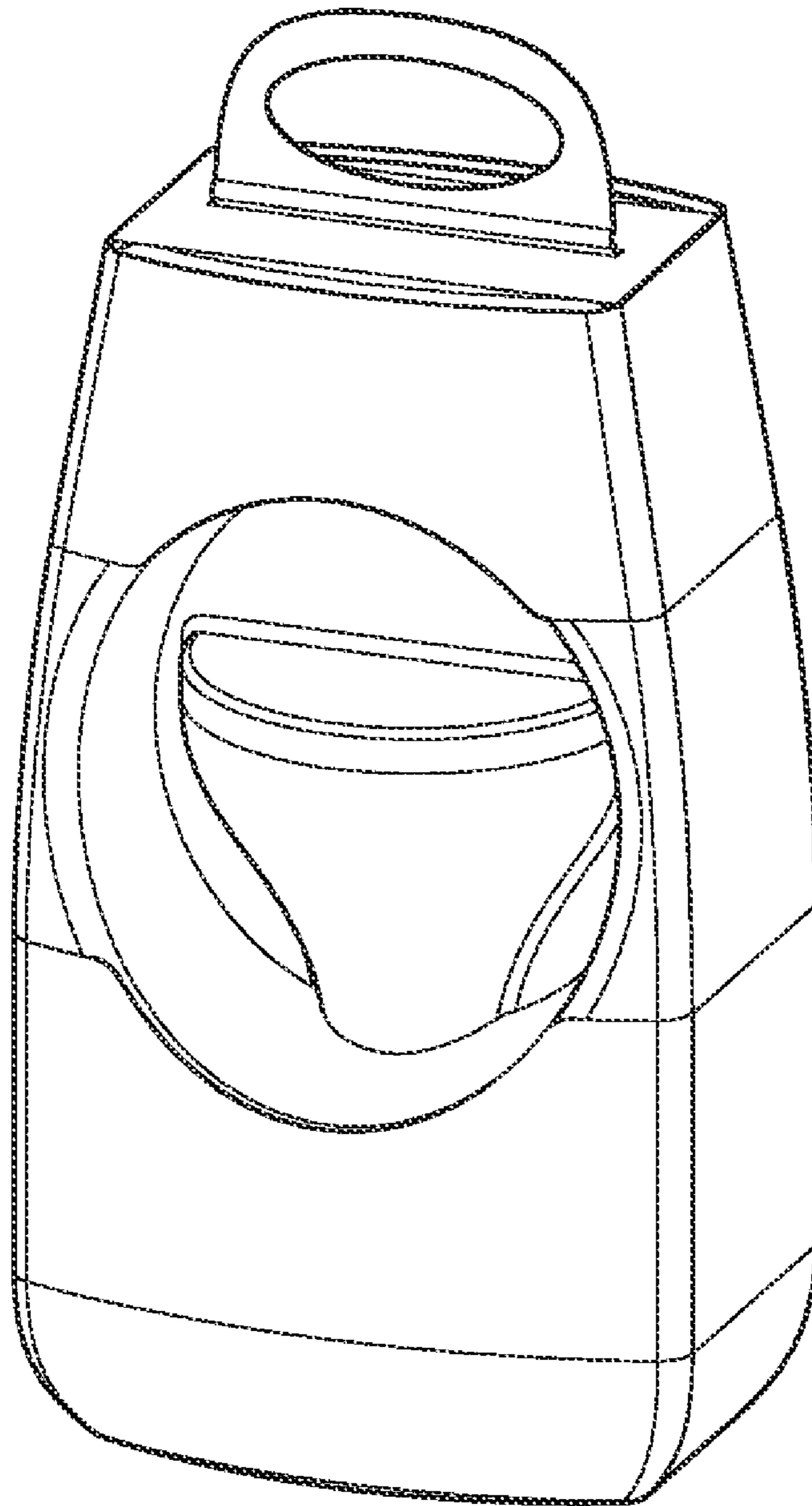


FIG. 1

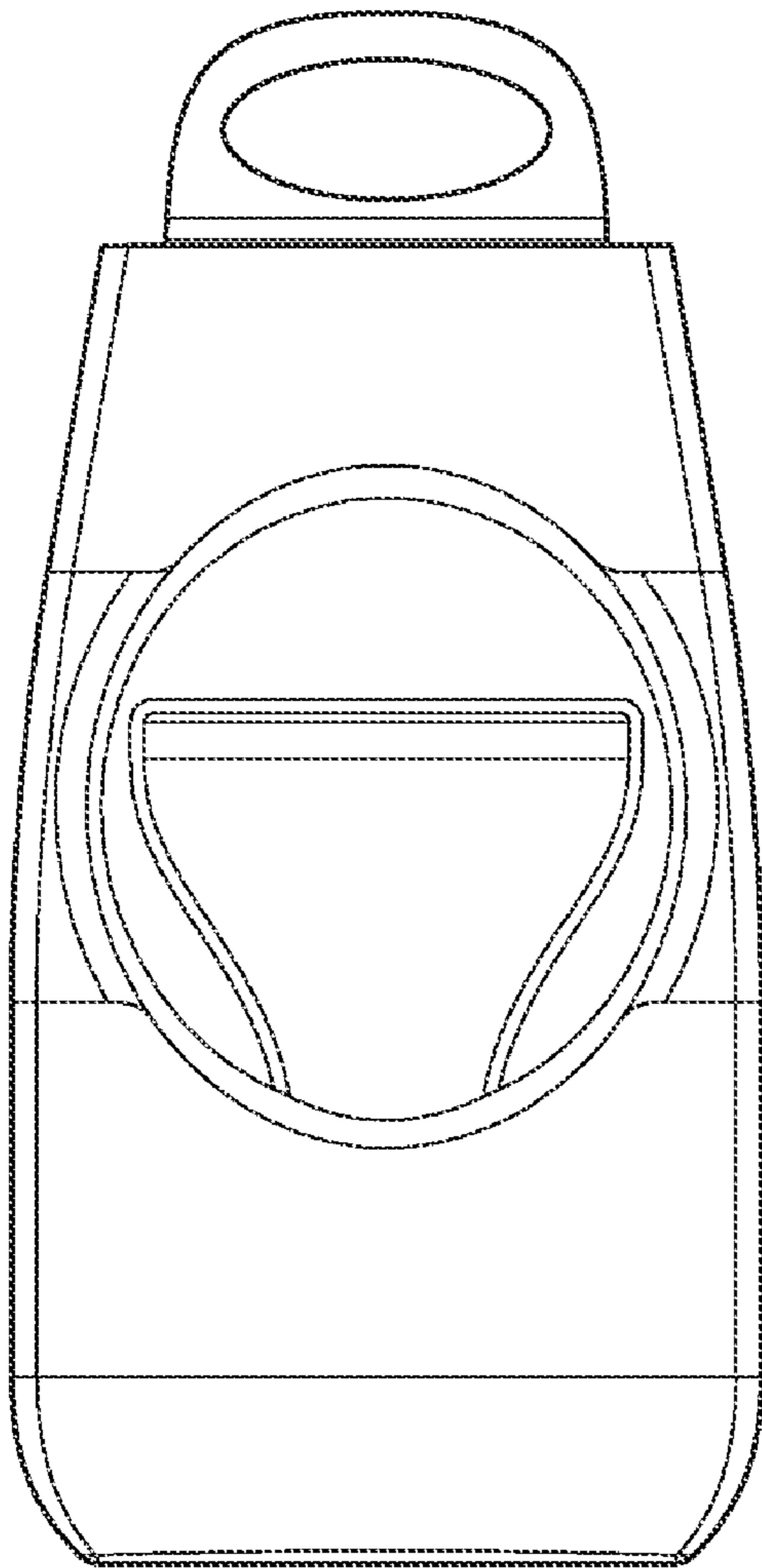


FIG. 2

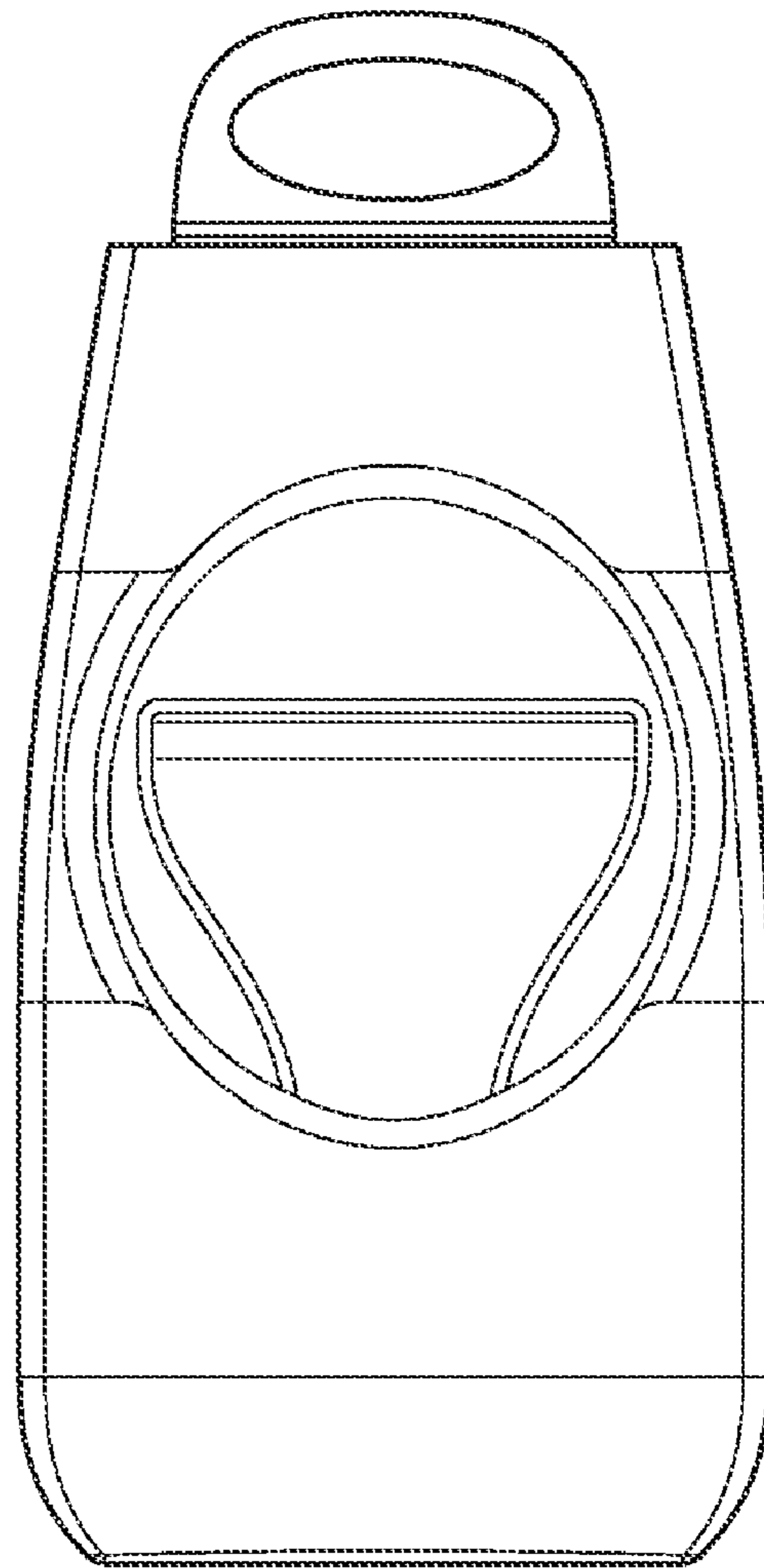


FIG. 3

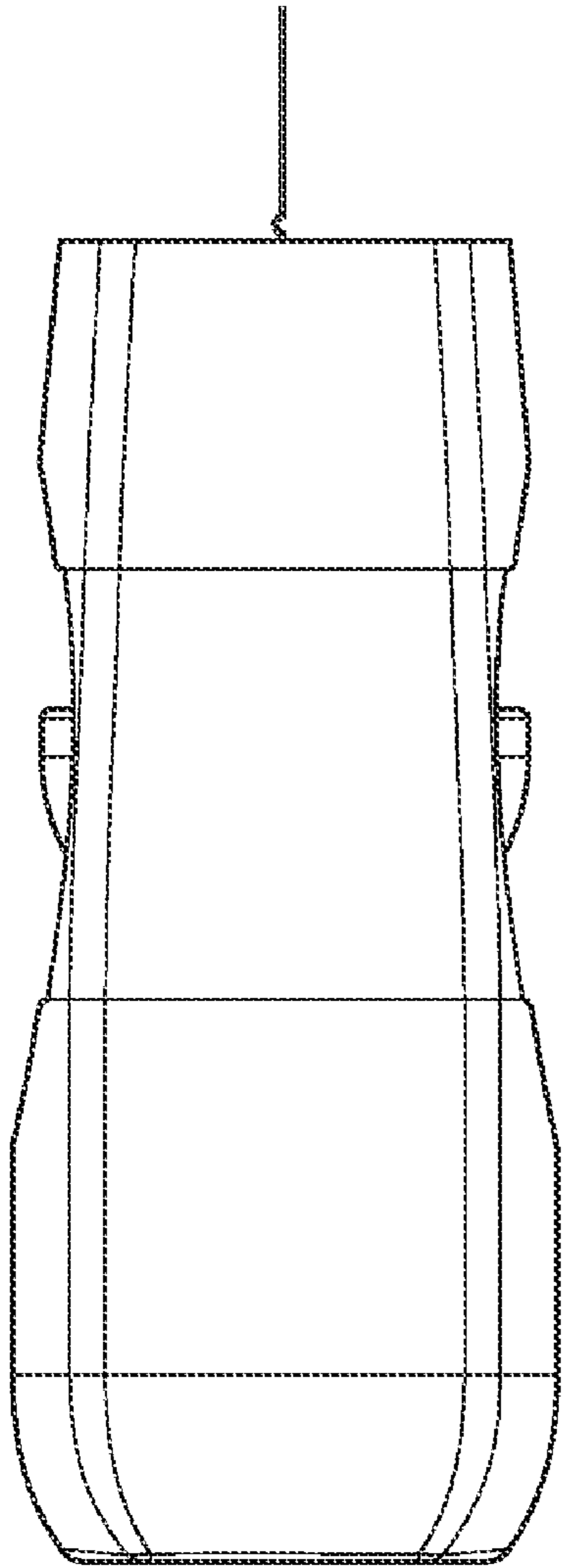


FIG. 4

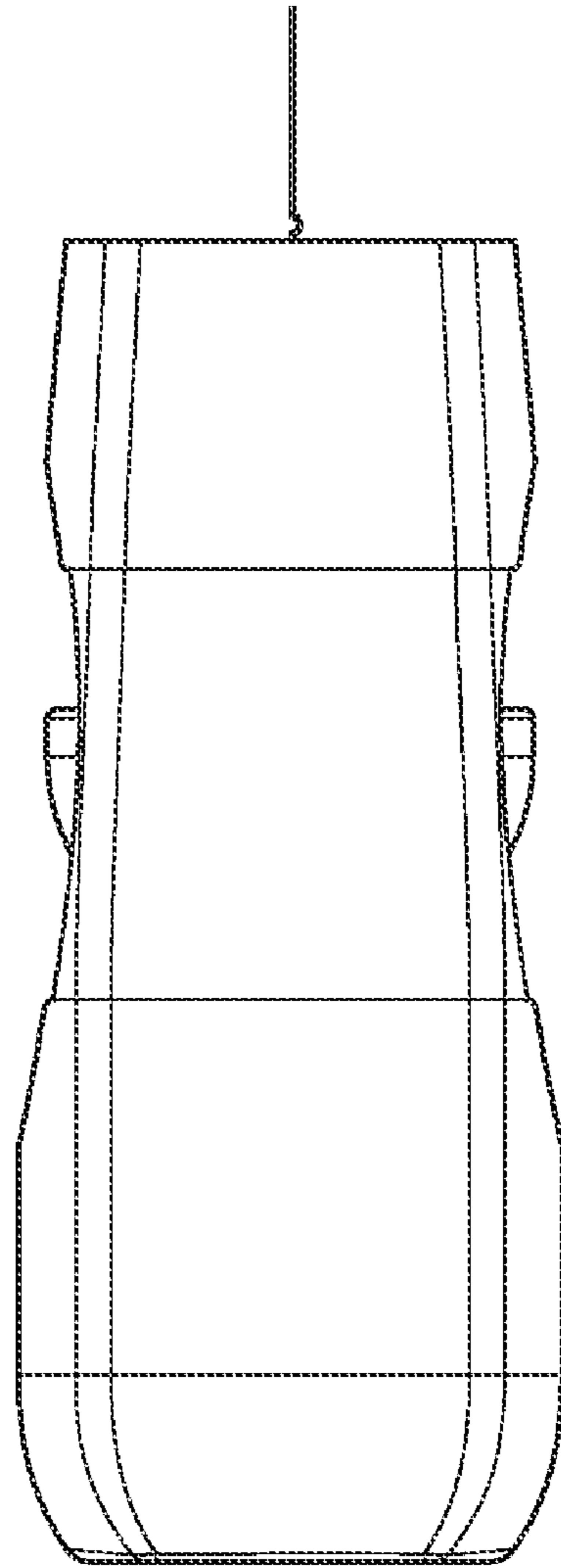


FIG. 5

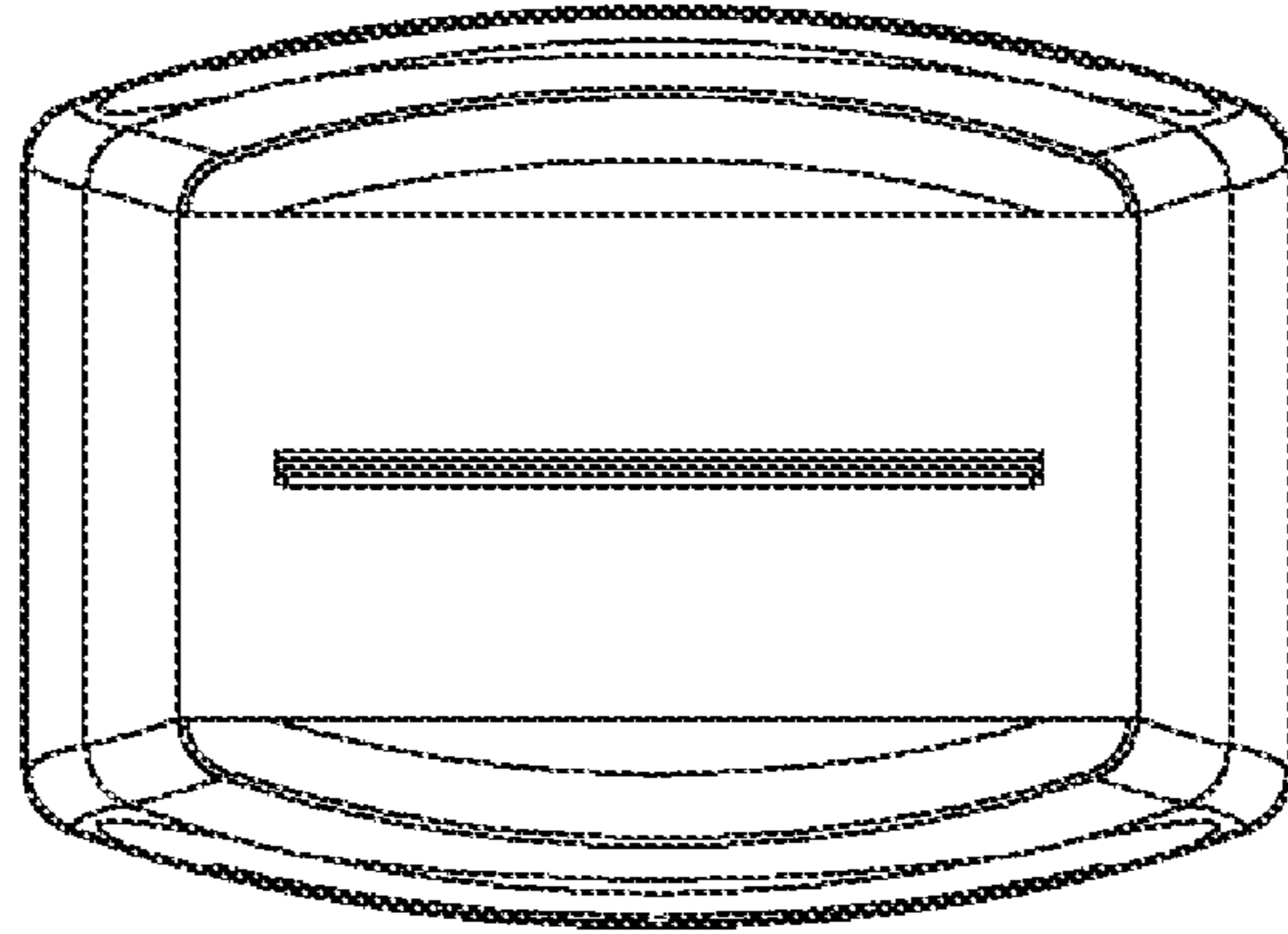


FIG. 6

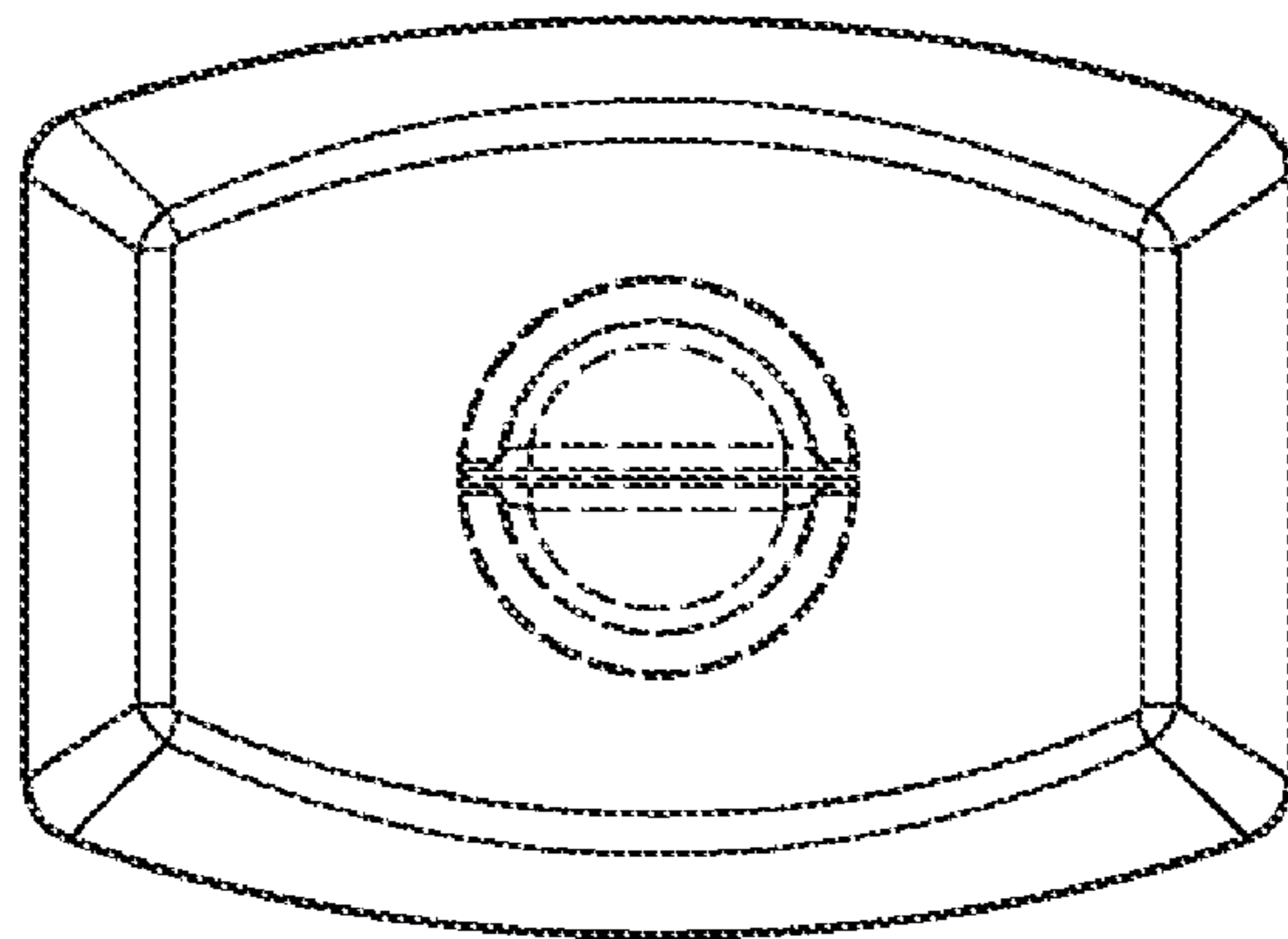


FIG. 7