



US00D671399S

(12) **United States Design Patent**
Armstrong et al.

(10) **Patent No.:** **US D671,399 S**

(45) **Date of Patent:** **** Nov. 27, 2012**

(54) **PACKAGING**

(75) Inventors: **Mark Armstrong**, Gwynedd (GB); **Dale Mark Nicholls**, Mitchum (GB); **Terry Xu**, Shanghai (CN); **Johnny Xu**, Shanghai (CN); **Ronald Menno Victor Wienia**, Shanghai (CN)

(73) Assignee: **Koninklijke Philips Electronics N.V.**, Eindhoven (NL)

(**) Term: **14 Years**

(21) Appl. No.: **29/396,576**

(22) Filed: **Jul. 1, 2011**

(30) **Foreign Application Priority Data**

Jan. 4, 2011 (EM) 001801176-0002

(51) **LOC (9) Cl.** **09-03**

(52) **U.S. Cl.** **D9/415**

(58) **Field of Classification Search** D9/715,
D9/718, 721, 722, 737, 414-436; 206/461-471,
206/278, 292, 722-728, 349-383, 457, 459.5,
206/775-783, 806, 822
See application file for complete search history.

(56) **References Cited**

U.S. PATENT DOCUMENTS

D180,763 S * 8/1957 Bond et al. D9/415
3,066,790 A * 12/1962 Armbruster 206/305
D207,805 S * 5/1967 Nowak D9/418
D212,076 S * 8/1968 Katz D9/457
D231,201 S * 4/1974 Bonfitto D9/418
4,191,289 A * 3/1980 Austin 206/780
D278,596 S * 4/1985 Ceraulo D9/759

D298,607 S * 11/1988 Didia D9/415
D313,753 S * 1/1991 Nagasaka D9/415
D413,512 S * 9/1999 Pryde et al. D9/415
D466,405 S * 12/2002 Lee D9/415
D541,145 S * 4/2007 Copp D9/415
D618,539 S * 6/2010 Ruth D9/415

FOREIGN PATENT DOCUMENTS

EM 000188248-0002 * 9/2004
EM 000764642-0008 * 8/2007
EM 001204036-0001 * 4/2010
EM 001732041-0006 * 7/2010
WO D063149-005 * 3/2003
WO D066517-001 * 7/2005
WO D068364-001 * 12/2006

* cited by examiner

Primary Examiner — Catherine Tuttle

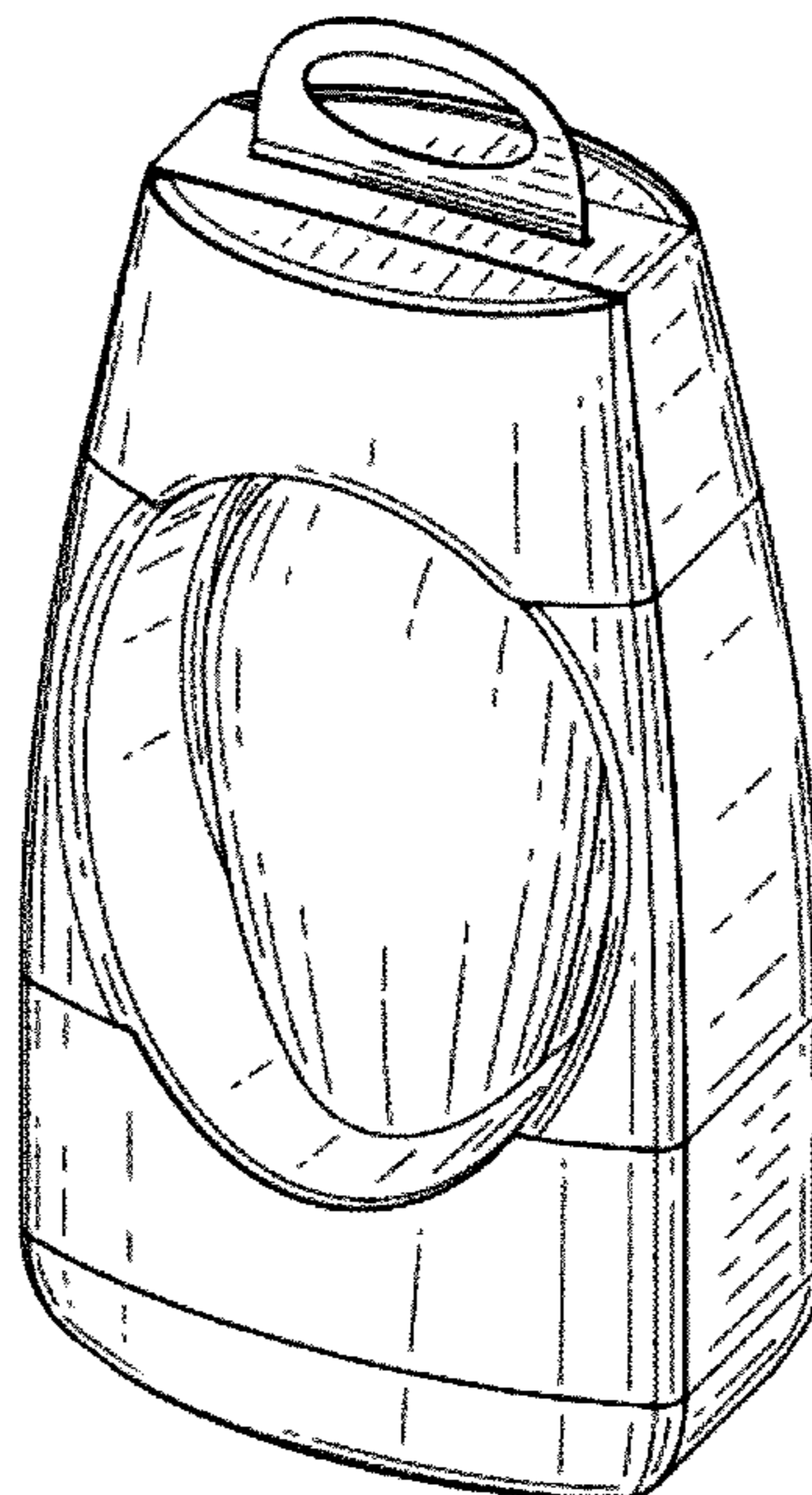
(57) **CLAIM**

The ornamental design for a packaging, as shown and described.

DESCRIPTION

FIG. 1 is a perspective view of the packaging showing our new design;
FIG. 2 is a front elevational view thereof;
FIG. 3 is a rear elevational view thereof;
FIG. 4 is a right side elevational view thereof;
FIG. 5 is a left side elevational view thereof;
FIG. 6 is a top plan view thereof; and,
FIG. 7 is a bottom plan view thereof.
The broken lines shown in FIG. 7 are included for the purpose of illustrating a portion of the packaging that forms no part of the claimed design.

1 Claim, 6 Drawing Sheets



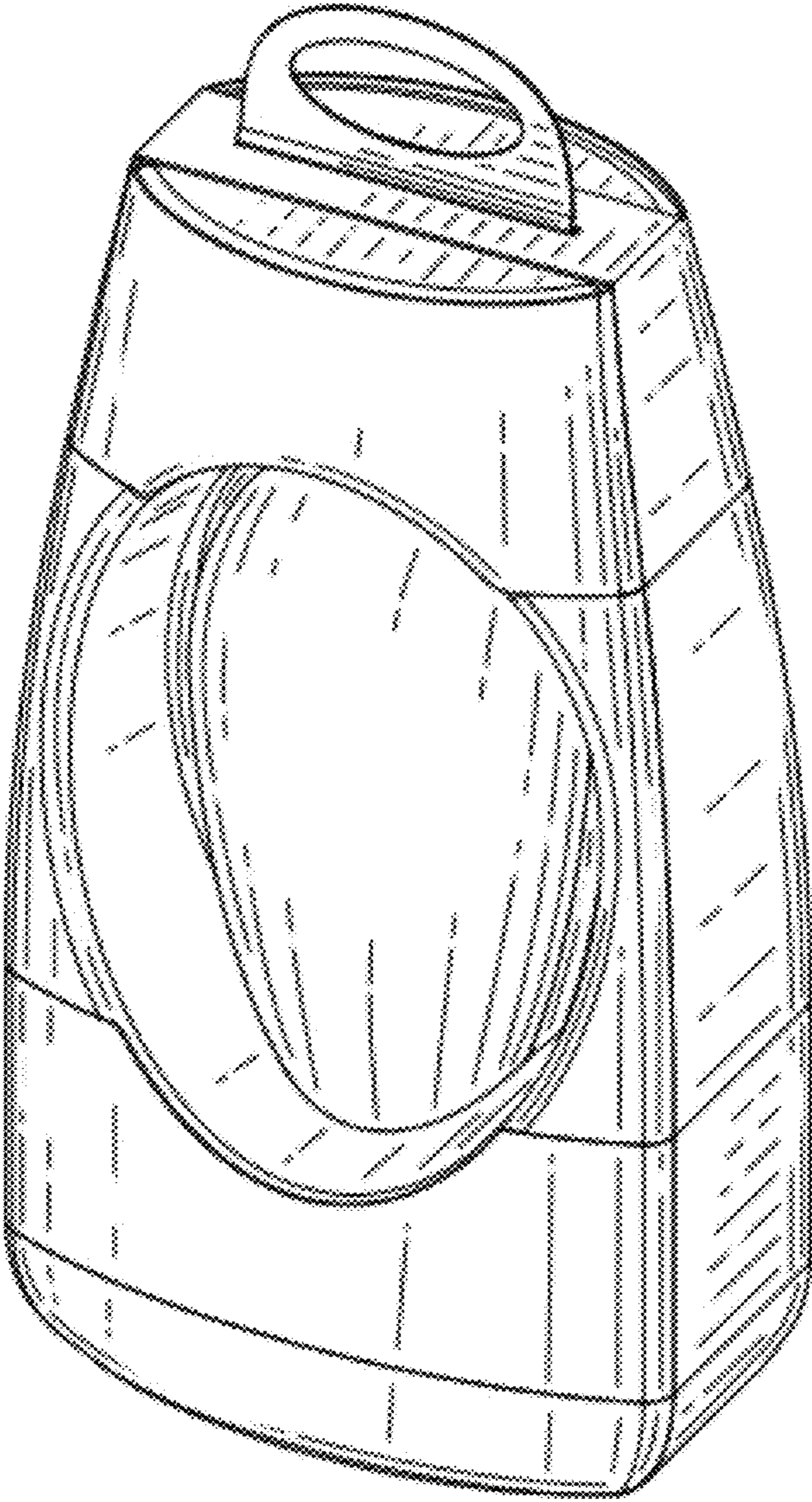


FIG. 1

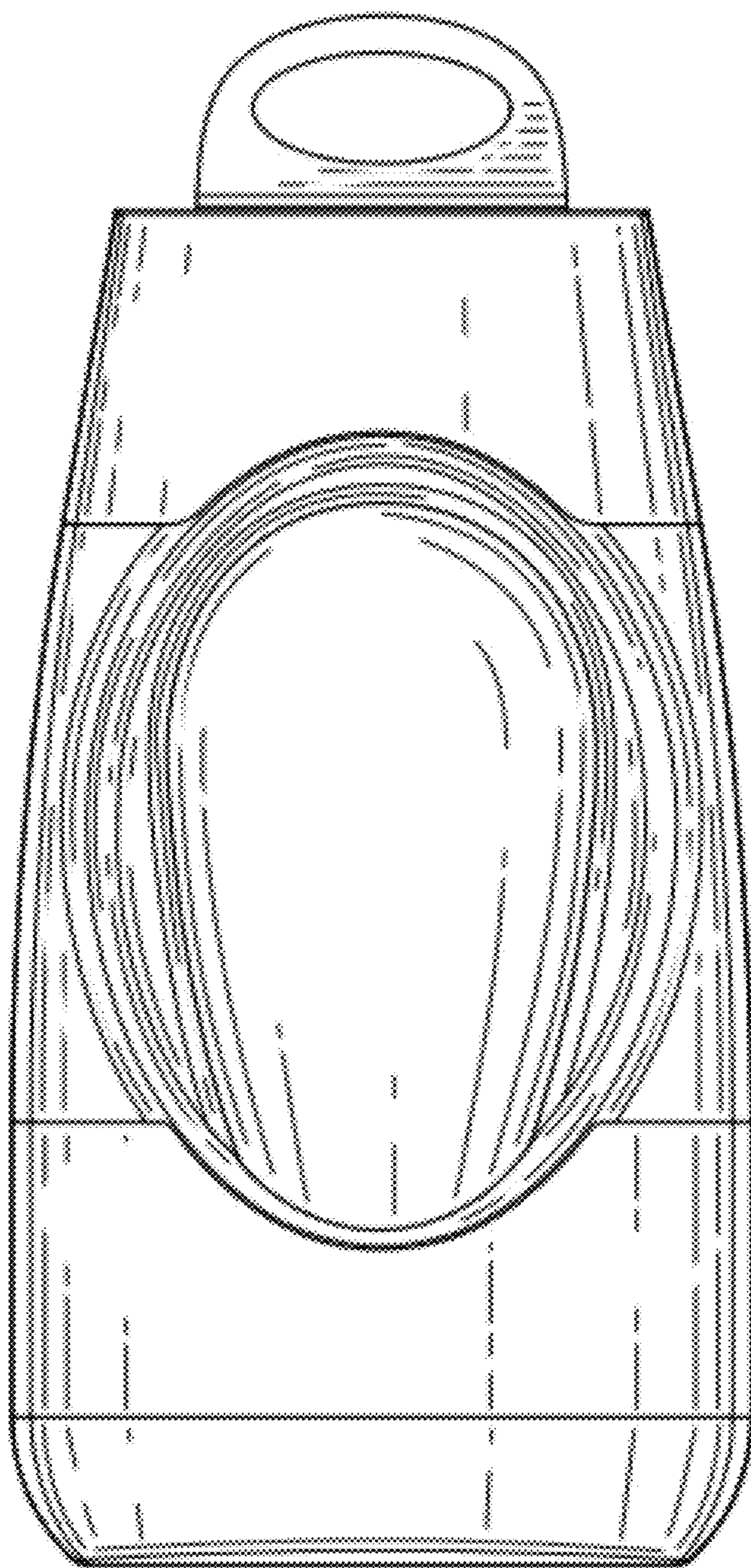


FIG. 2

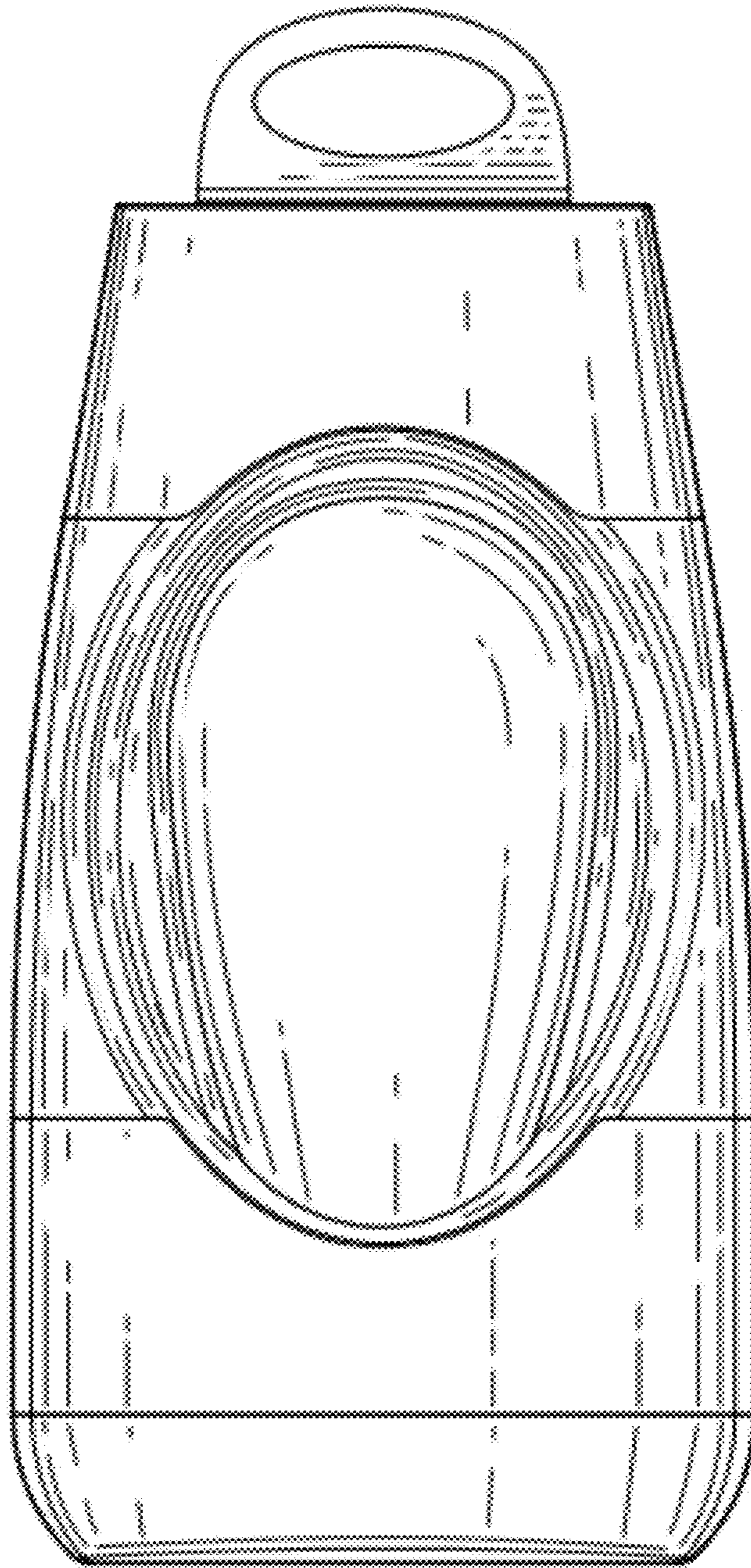


FIG. 3

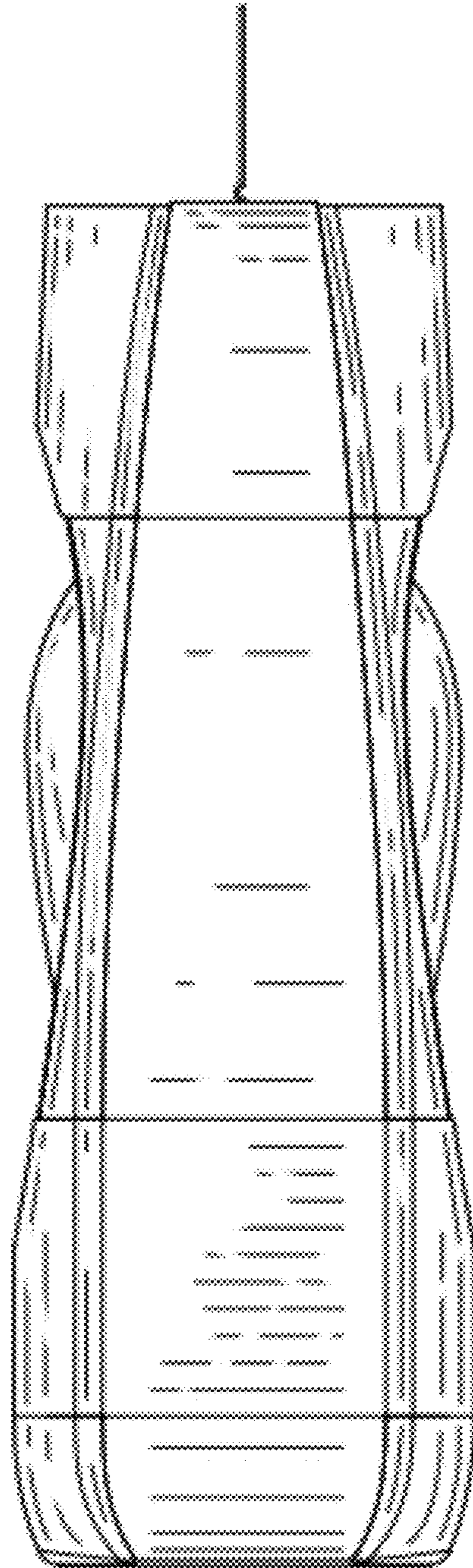


FIG. 4

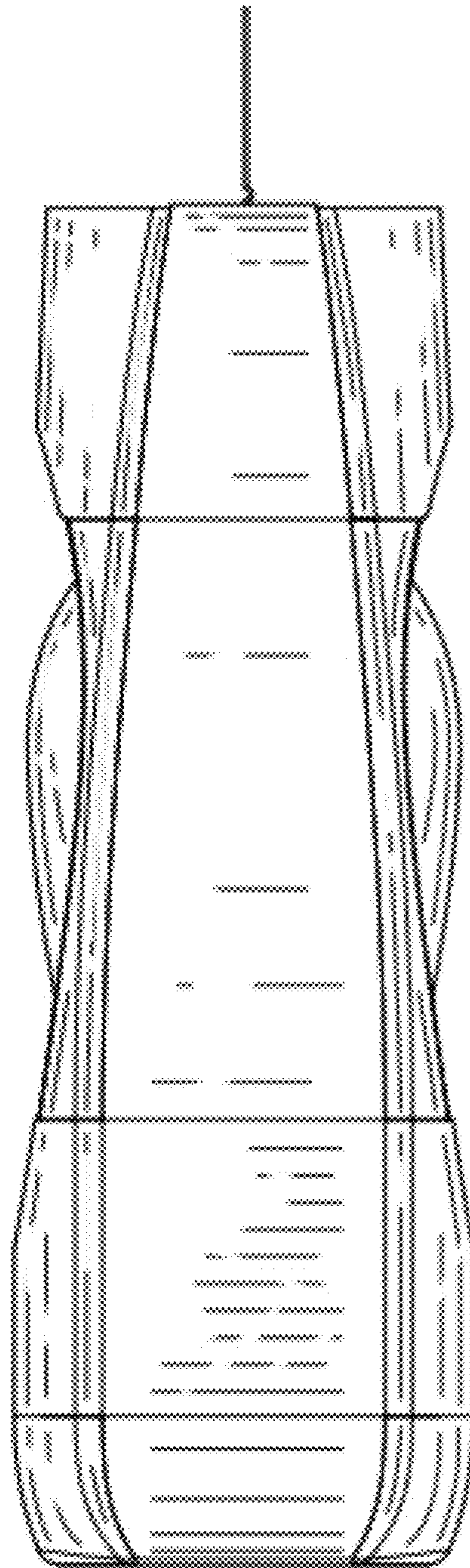


FIG. 5

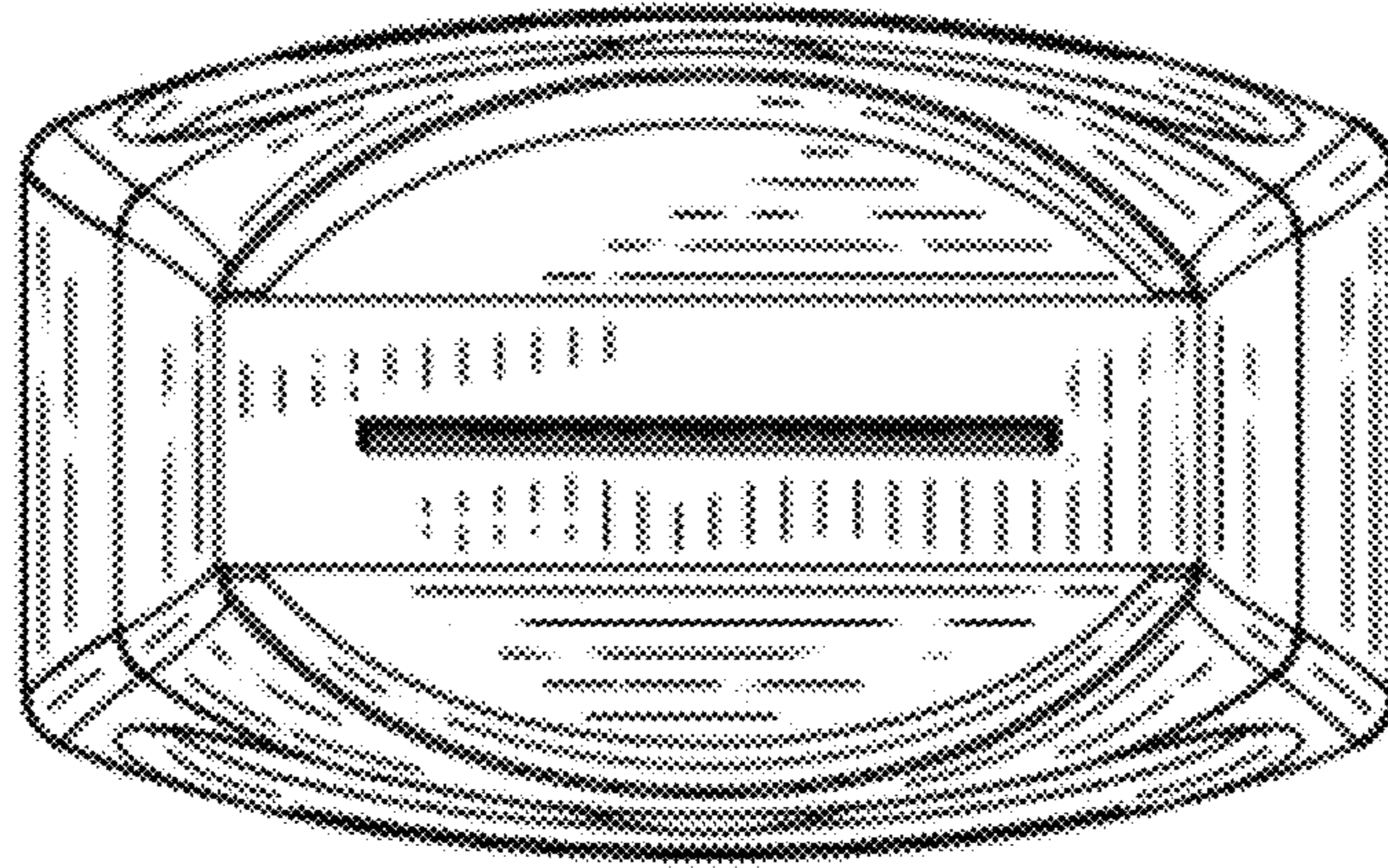


FIG. 6

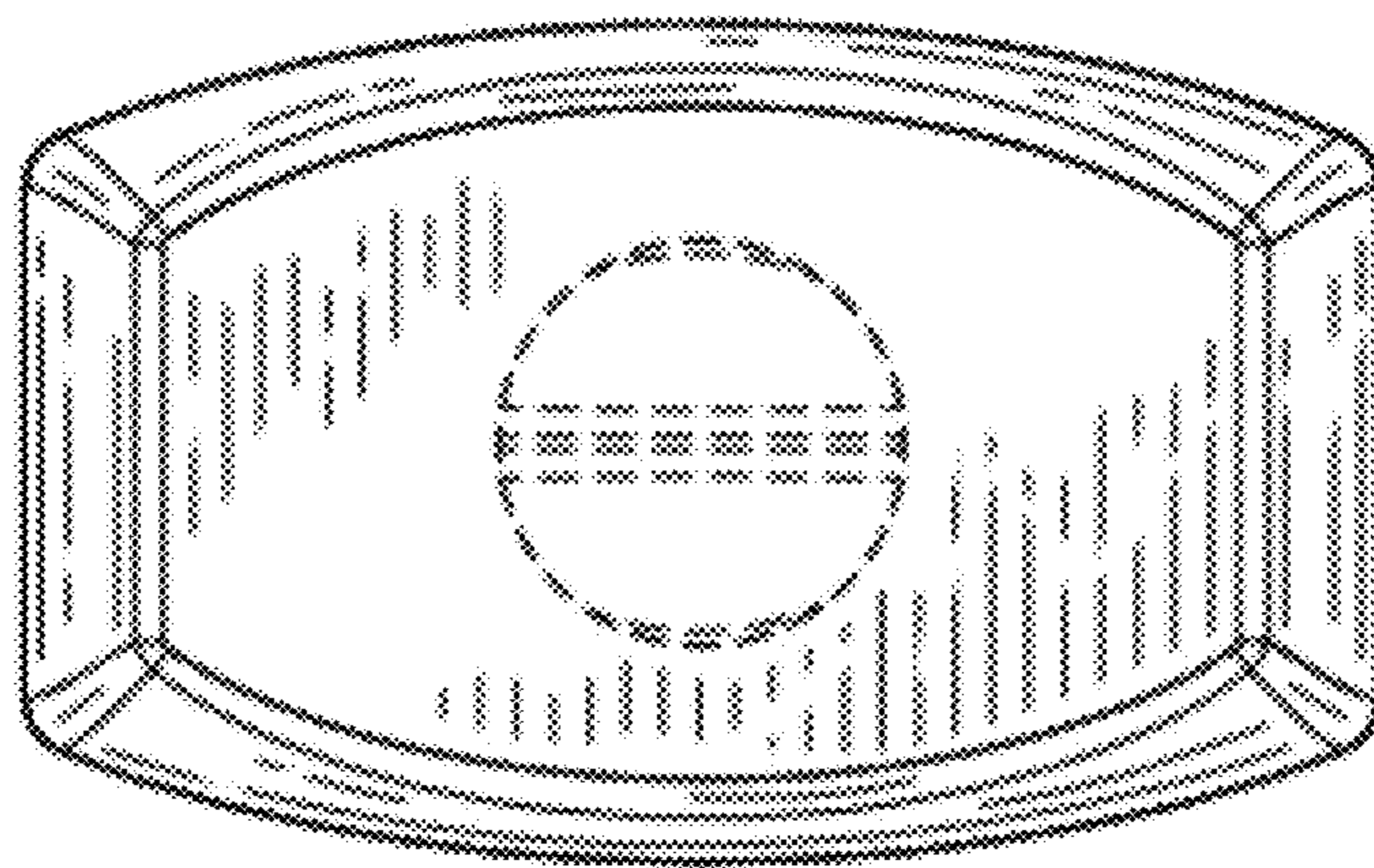


FIG. 7