



US00D671397S

(12) **United States Design Patent**  
**McLaughlin**

(10) **Patent No.:** **US D671,397 S**

(45) **Date of Patent:** **\*\* Nov. 27, 2012**

(54) **FENCE POST ANCHORING STRUCTURE**

*Primary Examiner* — Sheryl Lane

(74) *Attorney, Agent, or Firm* — Loyal McKinley Hanson

(76) Inventor: **Michael Herbert McLaughlin,**  
Temecula, CA (US)

(57) **CLAIM**

I claim the ornamental design for a fence post anchoring structure, as shown and described.

(\*\*) Term: **14 Years**

(21) Appl. No.: **29/415,296**

**DESCRIPTION**

(22) Filed: **Mar. 9, 2012**

(51) **LOC (9) Cl.** ..... **08-08**

(52) **U.S. Cl.** ..... **D8/388; D25/133**

(58) **Field of Classification Search** ..... D8/388,  
D8/349, 354; 52/155, 165, 153; 248/545,  
248/530, 156, 87; D19/65; D25/131, 133

See application file for complete search history.

FIG. 1 of the drawings is a perspective view showing the front, right side, and top of a fence post anchoring structure embodying the design of my invention;  
FIG. 2 is a right side elevation view of the fence post anchoring structure;  
FIG. 3 is a front elevation view;  
FIG. 4 is a left side elevation view;  
FIG. 5 is a back elevation view;  
FIG. 6 is a top plan view; and,  
FIG. 7 is a bottom plan view.

The fence post anchoring structure is the combination of a hollow square tube affixed atop a spike component for anchoring a vinyl fence post in a vertically extending hole drilled into a concrete pad, footing, or other concrete structure.

The characteristic feature of the design resides in an upstanding hollow square tube affixed atop a flat square plate to which is welded a pointed square-cross-section rod in a position such that the rod extends through a central opening in the plate, perpendicular to top and bottom surfaces of the plate.

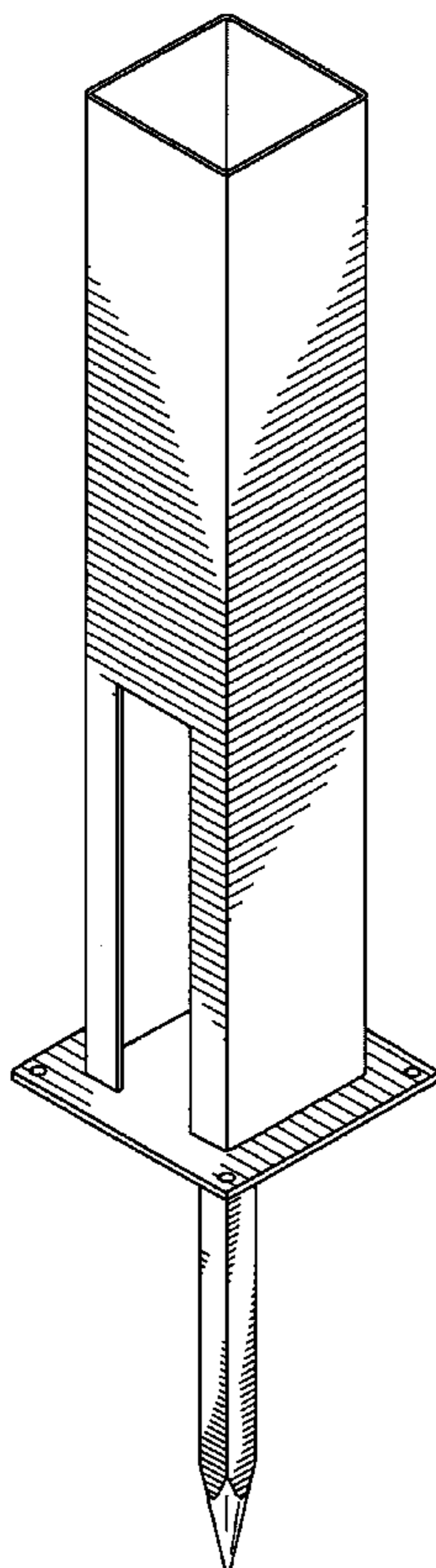
(56) **References Cited**

**U.S. PATENT DOCUMENTS**

94,195	A *	8/1869	Fisher	.....	52/153
396,624	A *	1/1889	Thomas	.....	52/165
427,815	A *	5/1890	Wolf	.....	52/165
3,305,985	A *	2/1967	Dean	.....	52/155
4,455,795	A *	6/1984	Cole	.....	52/155
D287,460	S *	12/1986	MacKarvich	.....	D8/388
D409,663	S *	5/1999	Wagner et al.	.....	D19/65
D604,588	S *	11/2009	Charette	.....	D8/349
D610,717	S *	2/2010	Lin	.....	D25/133
D610,718	S *	2/2010	Ringus et al.	.....	D25/133
7,730,675	B2 *	6/2010	Hill	.....	52/153

\* cited by examiner

**1 Claim, 3 Drawing Sheets**



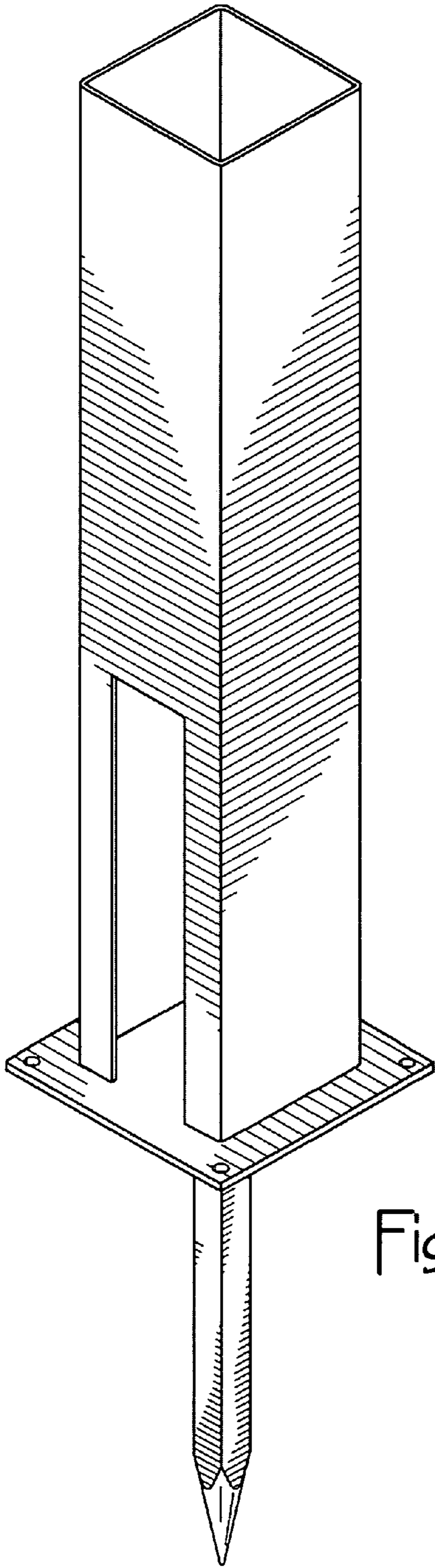
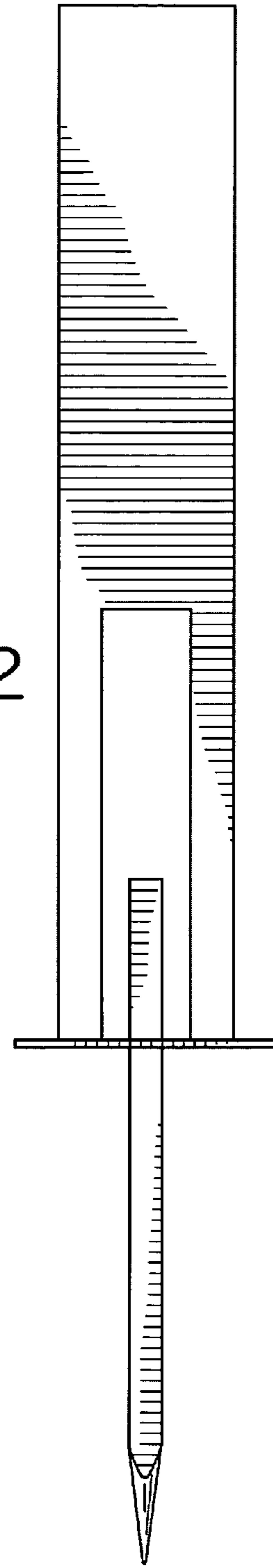


Fig. 1

Fig. 2



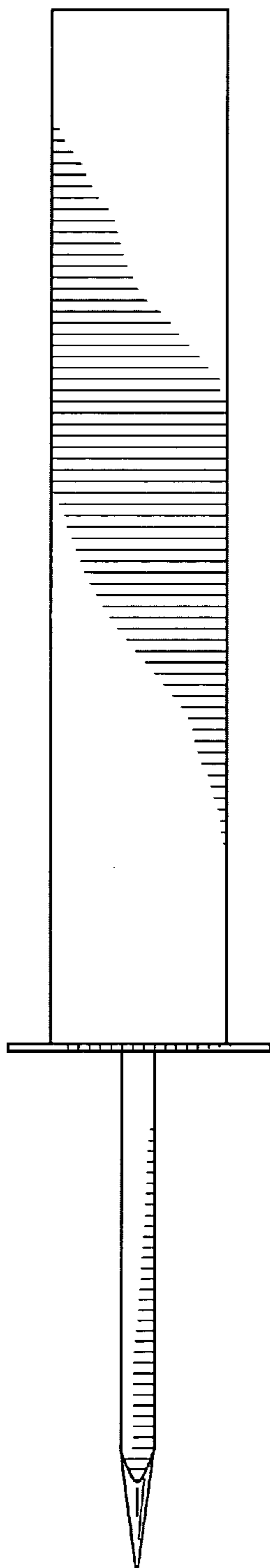


Fig. 3

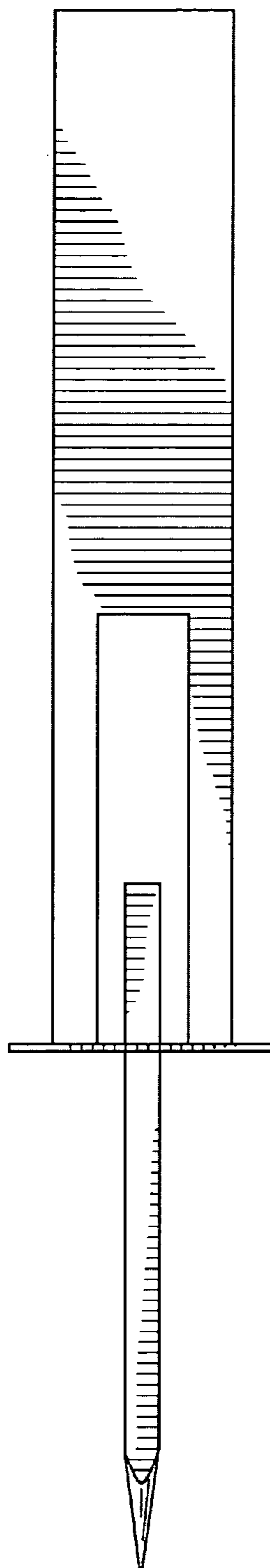


Fig. 4

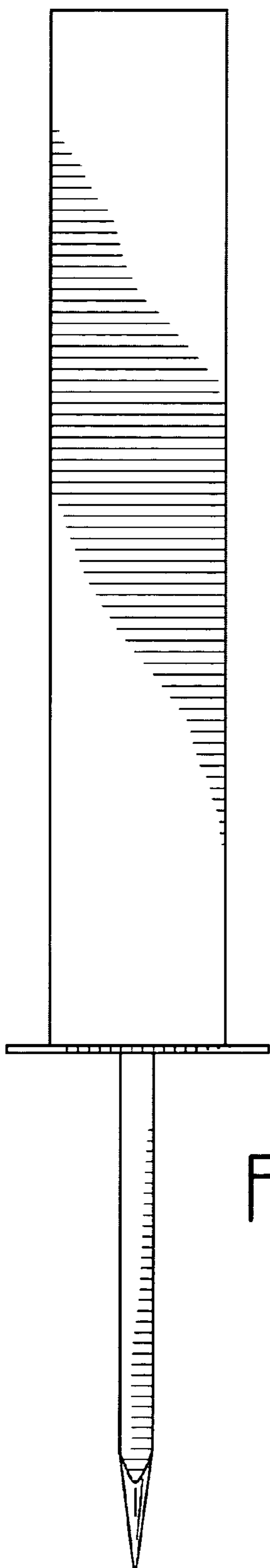


Fig. 5

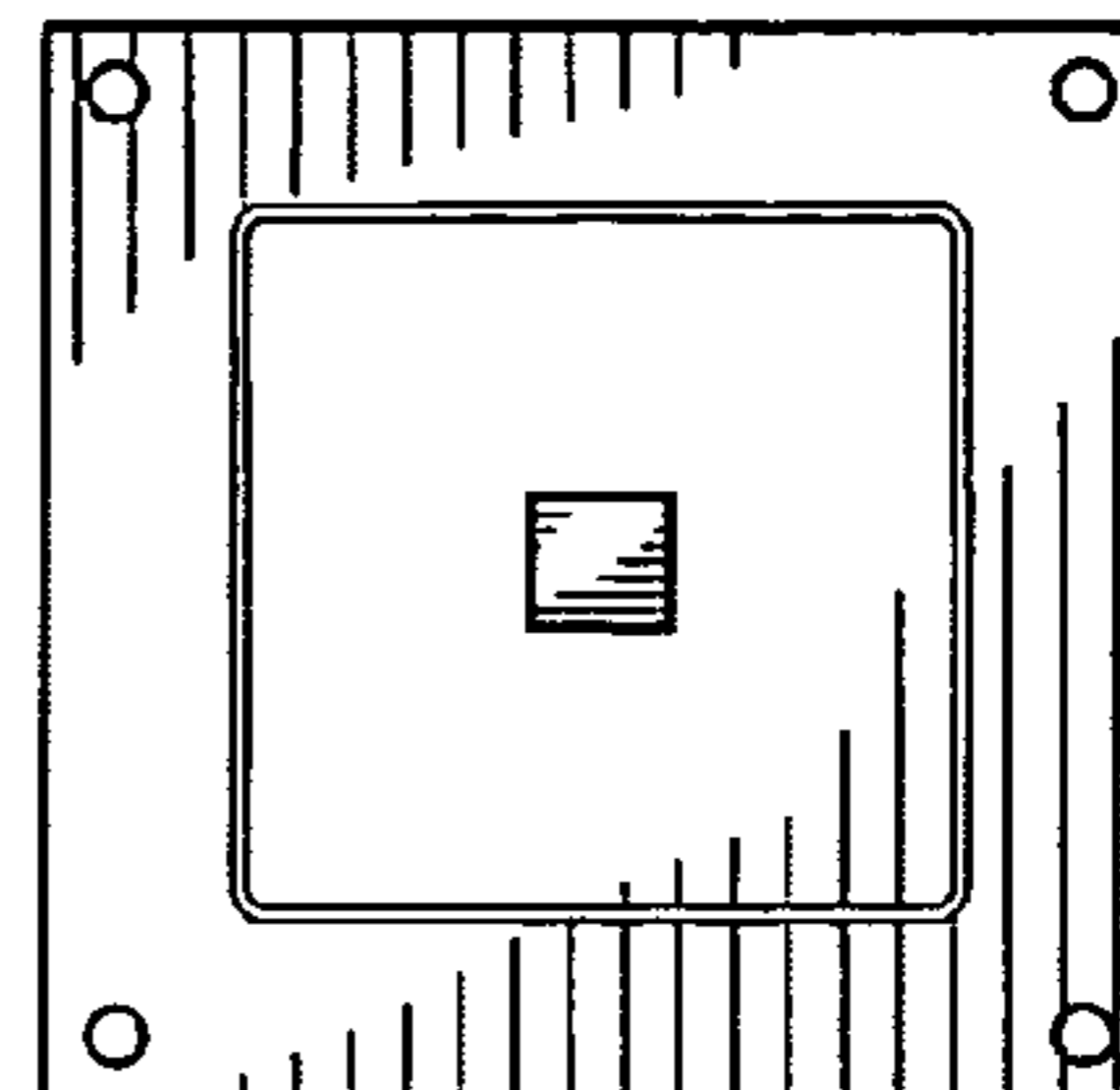


Fig. 6

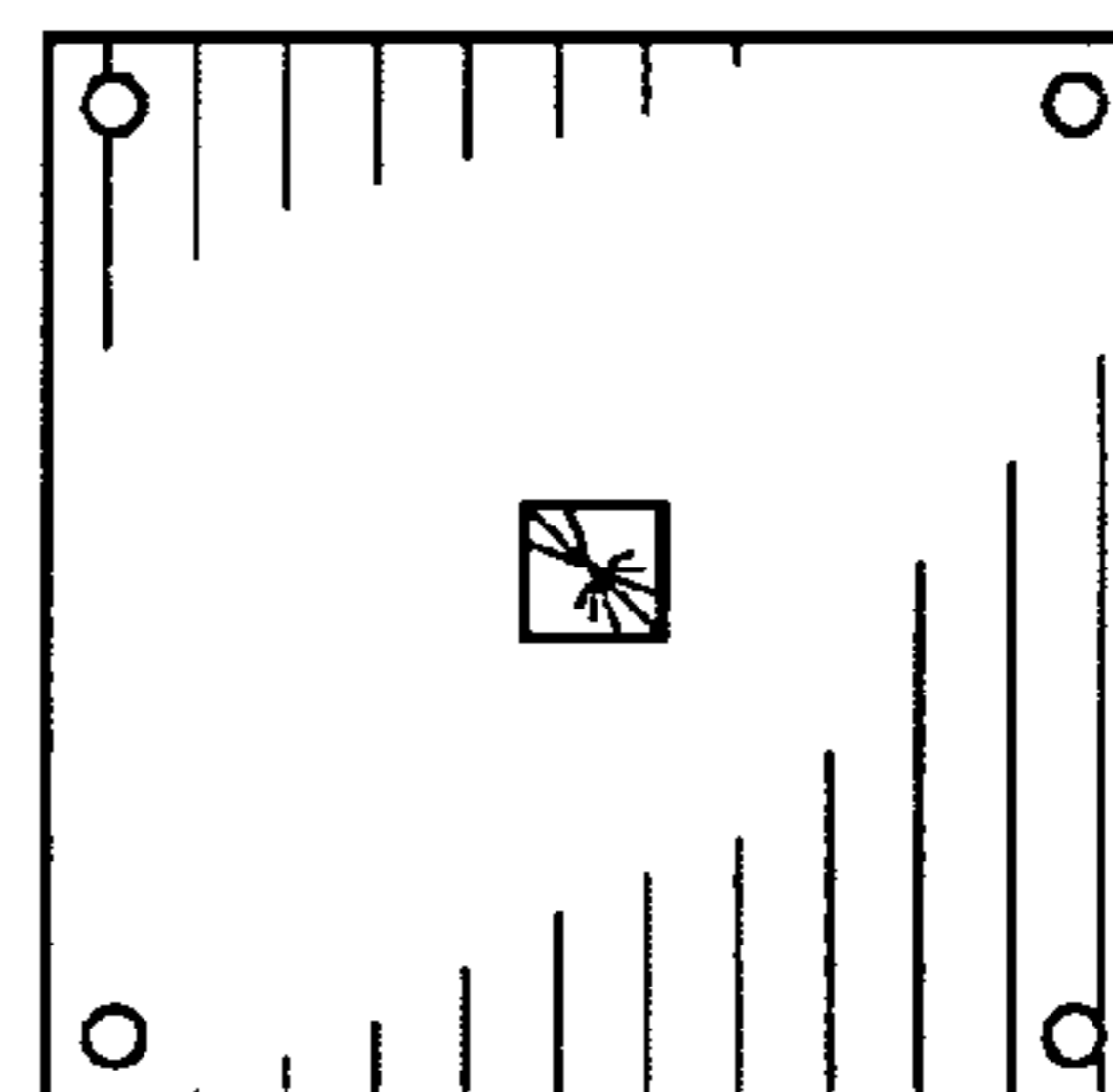


Fig. 7