



US00D671394S

(12) **United States Design Patent**  
**Derry**

(10) **Patent No.:** **US D671,394 S**

(45) **Date of Patent:** **\*\* Nov. 27, 2012**

(54) **CENTER MOUNT FOR POLE ARM**

(75) **Inventor:** **Bradley A. Derry**, Easton, PA (US)

(73) **Assignee:** **Innovative Office Products, Inc.**,  
Easton, PA (US)

(\*\*) **Term:** **14 Years**

(21) **Appl. No.:** **29/403,940**

(22) **Filed:** **Oct. 13, 2011**

(51) **LOC (9) Cl.** ..... **08-05**

(52) **U.S. Cl.** ..... **D8/373**

(58) **Field of Classification Search** ..... 24/592.11,  
24/599.1, 588.1, 601.5, 601, 599.9, 598.1,  
24/452, 599.6, 129 R, 600.9, 16 R; D8/356,  
D8/354, 349, 372, 367, 382, 395, 396, 373;  
63/8, 7, 12, 15, 1.14; D12/317; D6/323;  
248/301, 302, 303, 304, 175, 63, 67.5, 74.4,  
248/68.1, 65, 49; 402/35; 114/218, 114;  
294/137, 158, 82.19; 410/101; 182/3; D11/210;  
D3/207; 446/124; 439/257; 174/40 R, 64,  
174/72 A

See application file for complete search history.

(56) **References Cited**

**U.S. PATENT DOCUMENTS**

D270,516 S \* 9/1983 Achille ..... D8/354  
6,382,488 B1 \* 5/2002 Hancock ..... 224/547

D492,893 S \* 7/2004 Oddsen et al. .... D8/373  
D515,910 S \* 2/2006 Gates et al. .... D8/354  
D522,348 S \* 6/2006 Hansen ..... D8/354  
7,100,808 B2 \* 9/2006 Hancock et al. .... 224/547  
7,825,337 B2 \* 11/2010 Young, IV ..... 174/72 A  
7,874,533 B1 \* 1/2011 Gates et al. .... 248/205.1  
D659,520 S \* 5/2012 Stock ..... D8/373  
2001/0032747 A1 \* 10/2001 DePoy et al. .... 180/314  
2005/0269465 A1 \* 12/2005 Carnevali ..... 248/219.4

\* cited by examiner

*Primary Examiner* — Cynthia Underwood

(74) *Attorney, Agent, or Firm* — Design IP

(57) **CLAIM**

The ornamental design for a center mount for pole arm, as shown and described.

**DESCRIPTION**

FIG. 1 is a perspective view of a center mount for pole arm showing my new design;

FIG. 2 is a front view thereof;

FIG. 3 is a rear view thereof;

FIG. 4 is a left side view thereof;

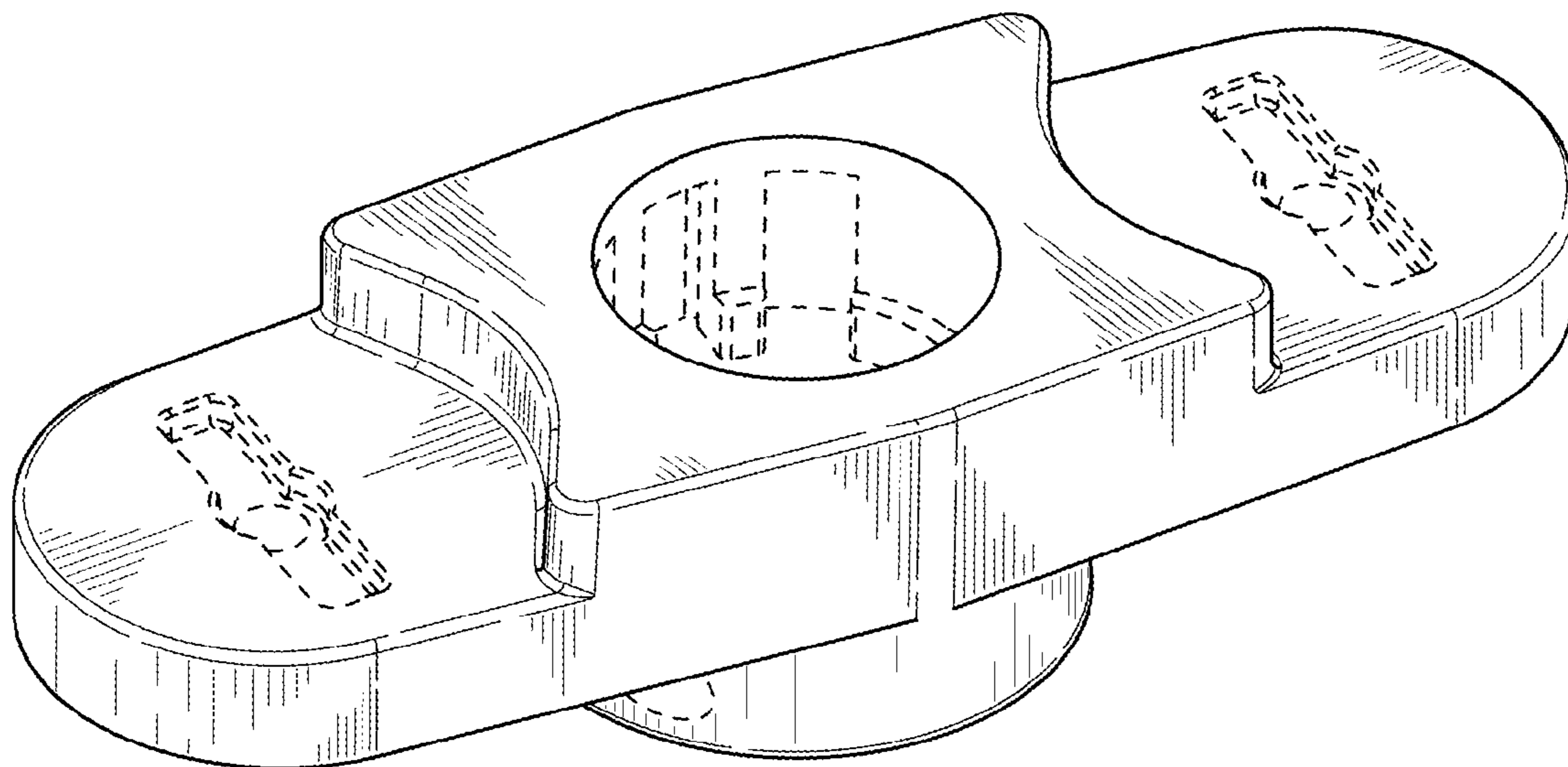
FIG. 5 is a right side view thereof;

FIG. 6 is a top view thereof; and,

FIG. 7 is a bottom view thereof.

The dashed lines shown in FIGS. 1-7 are included for the purpose of illustrating environmental subject matter only and form no part of the claimed design.

**1 Claim, 2 Drawing Sheets**



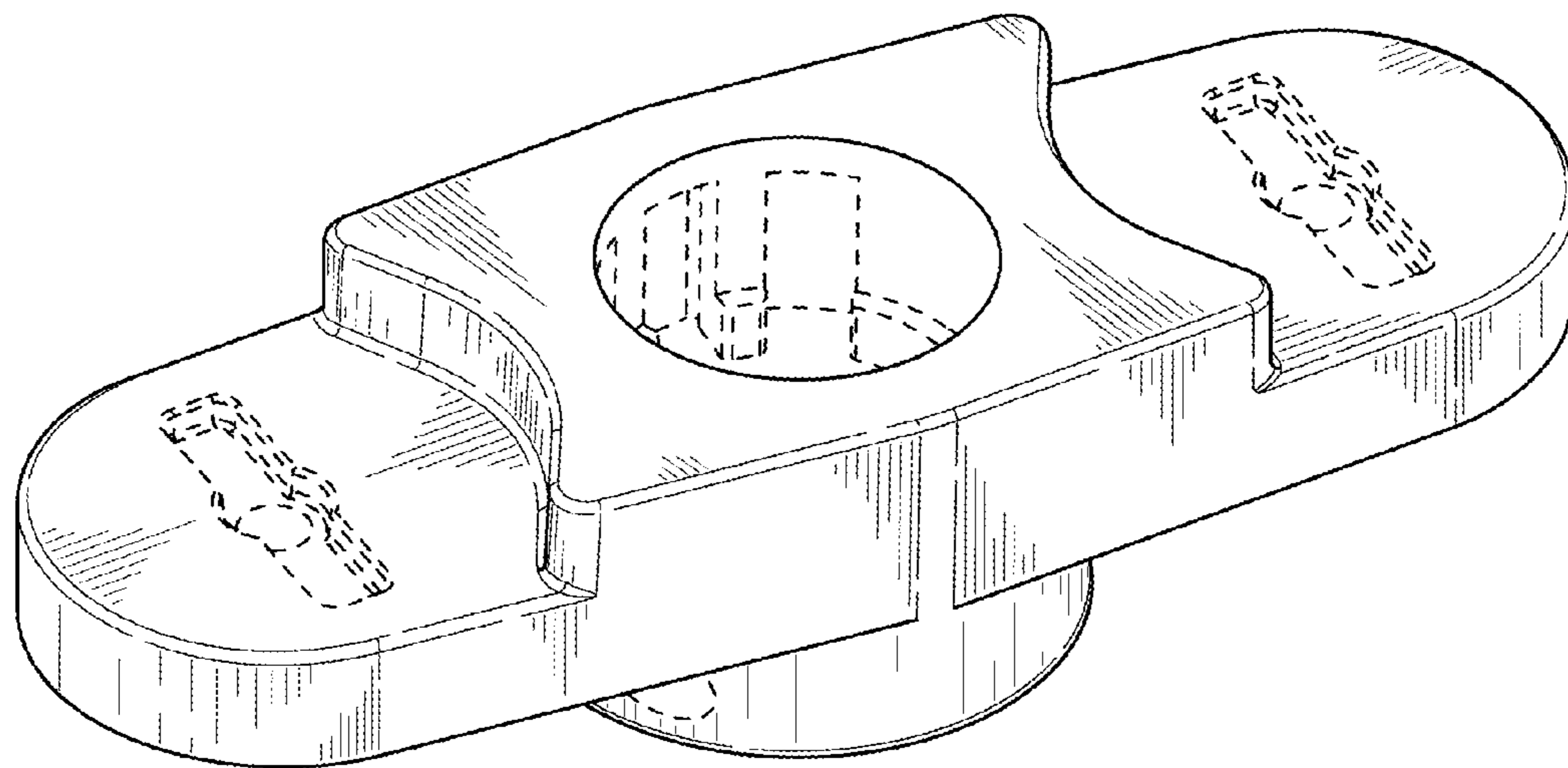


FIG. 1

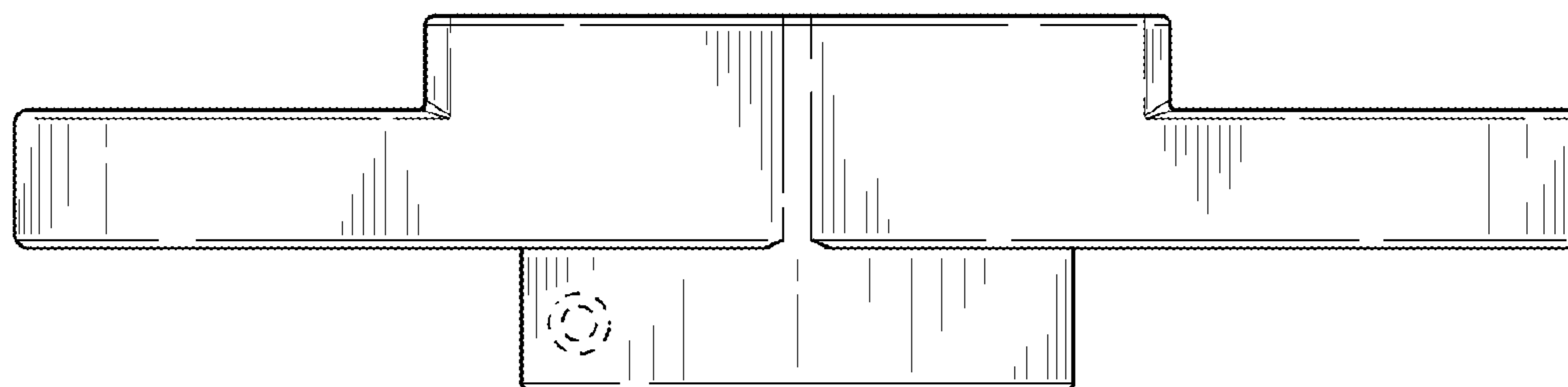


FIG. 2

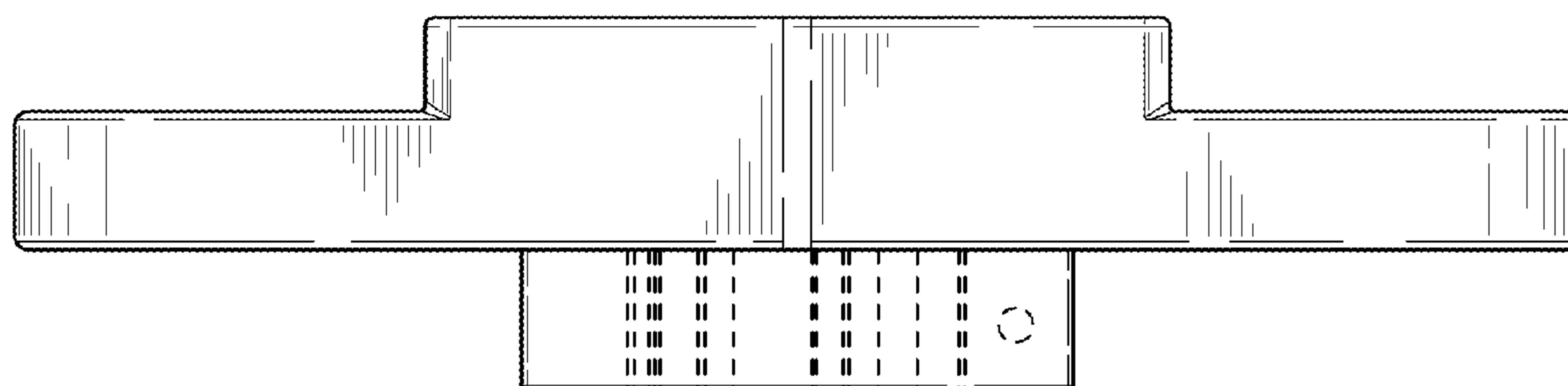


FIG. 3

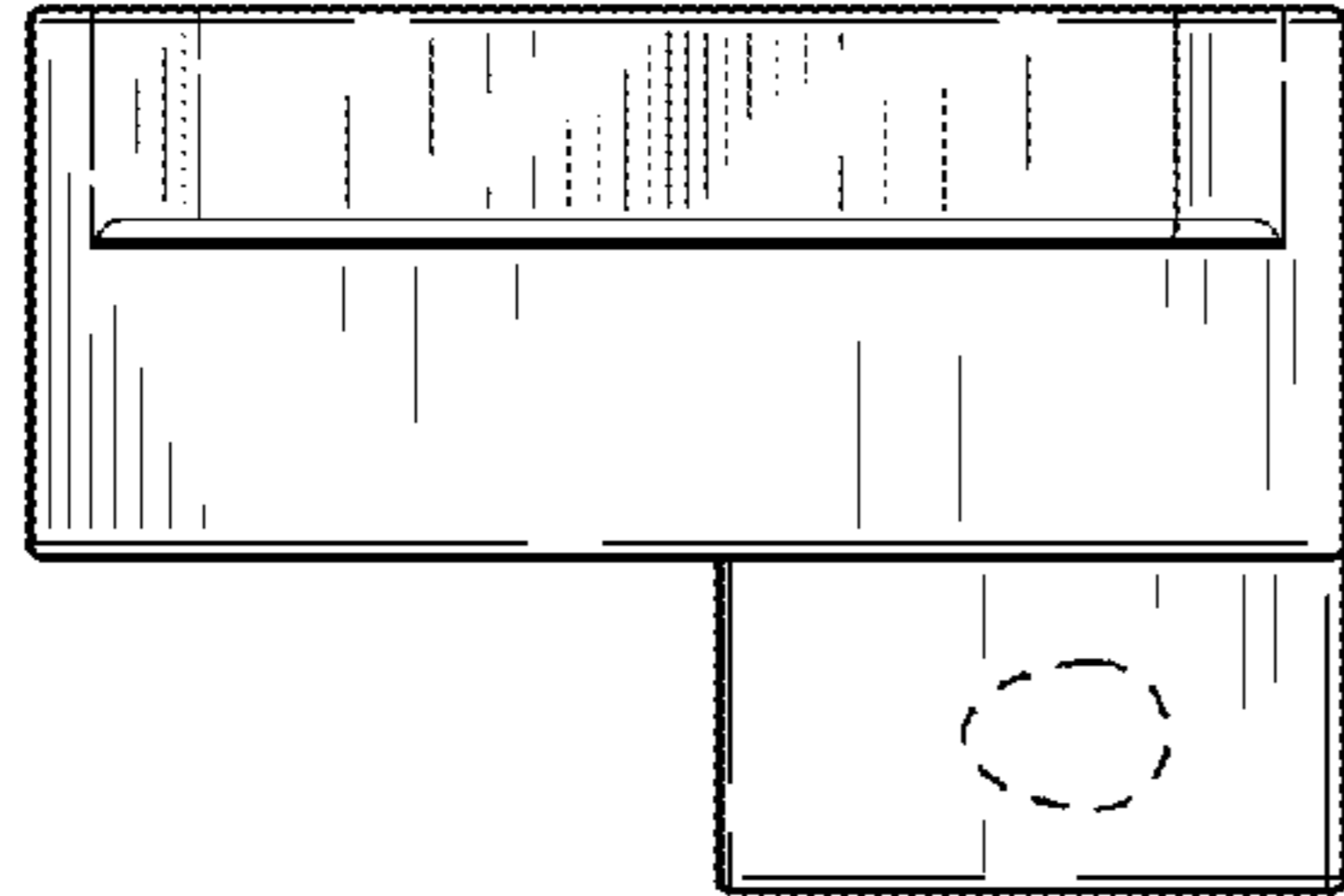


FIG. 4

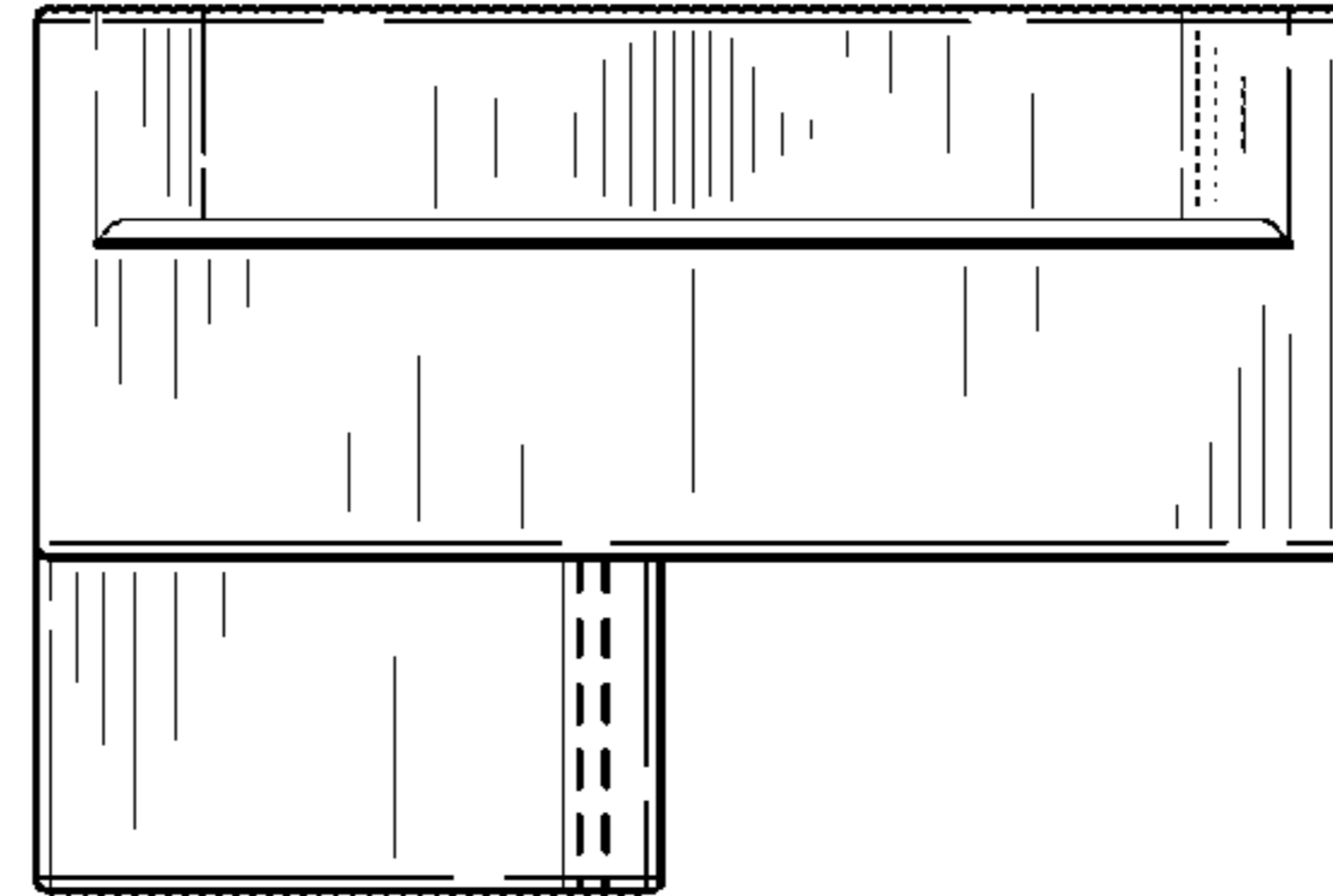


FIG. 5

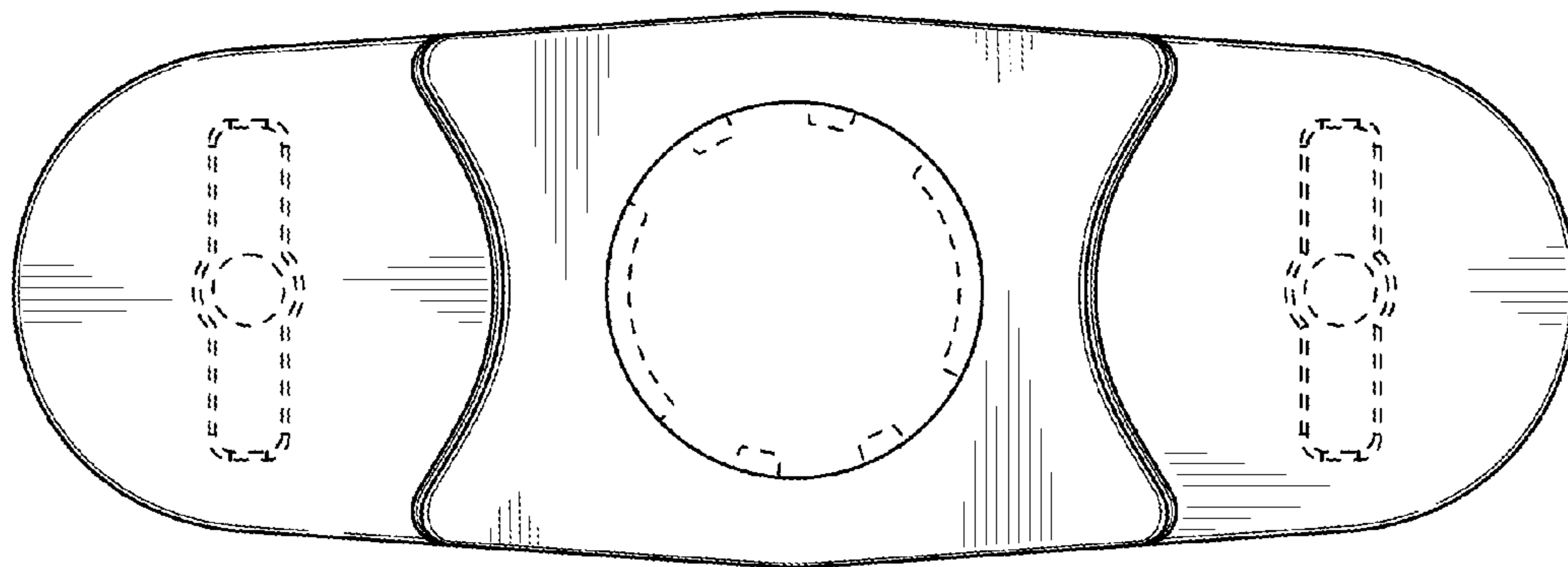


FIG. 6

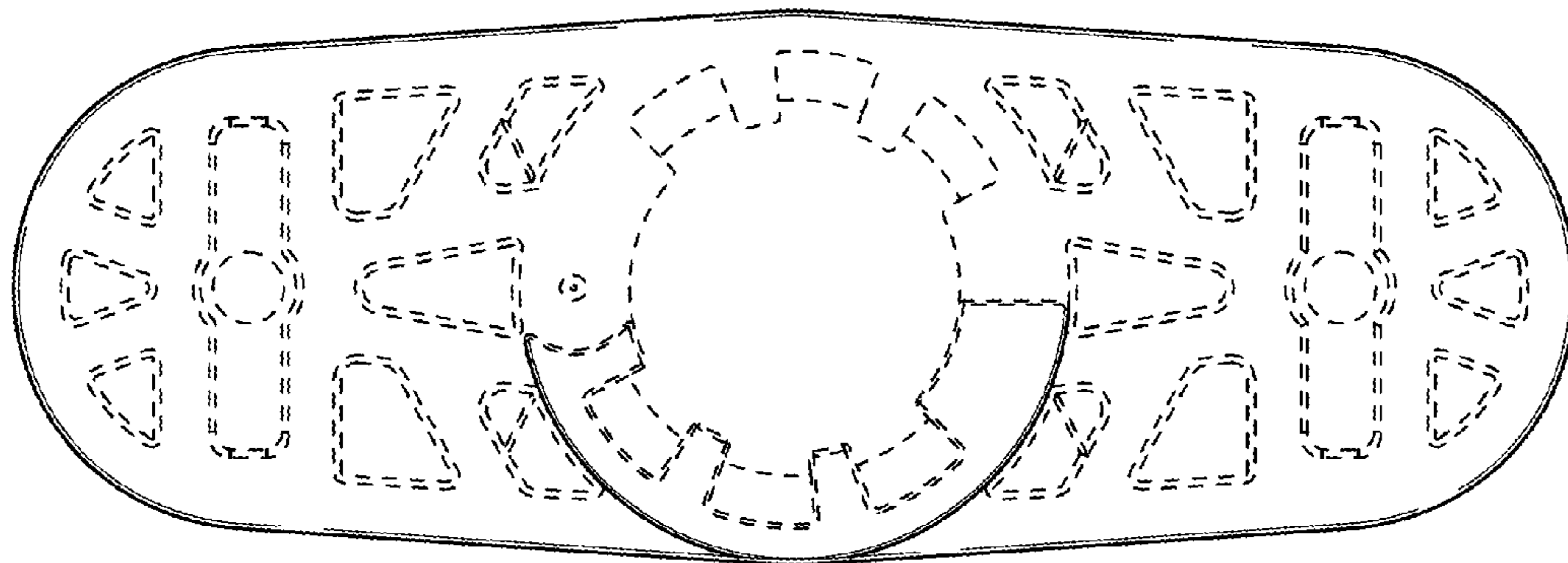


FIG. 7