



US00D671393S

(12) **United States Design Patent**
Shea

(10) **Patent No.:** **US D671,393 S**

(45) **Date of Patent:** **** Nov. 27, 2012**

(54) **WIRE BRACKET**

(76) Inventor: **Thomas M. Shea**, Troy, MI (US)

(**) Term: **14 Years**

(21) Appl. No.: **29/383,154**

(22) Filed: **Jan. 13, 2011**

(51) **LOC (9) Cl.** **08-05**

(52) **U.S. Cl.** **D8/363; D8/373**

(58) **Field of Classification Search** D8/363,
D8/370-373, 381, 367; D6/566, 567, 552,
D6/553; 211/57.1, 59.1, 85.31, 54.1, 181.1,
211/182, 87.01; 241/245; 248/99, 220.31,
248/220.41, 220.43, 551, 221.11, 235, 302
See application file for complete search history.

(56) **References Cited**

U.S. PATENT DOCUMENTS

D75,598	S	*	6/1928	Priest	D8/363
2,614,701	A	*	10/1952	Mapson	211/87.01
3,216,584	A	*	11/1965	Sedo	248/220.41
3,409,260	A	*	11/1968	Bleed	248/220.22
3,724,792	A	*	4/1973	Thalenfeld	248/220.41
D242,407	S	*	11/1976	Enckler	D8/373
4,008,871	A	*	2/1977	Rex	248/205.3
D244,512	S	*	5/1977	Edwards	D12/115
D248,730	S	*	8/1978	Blann	D8/363
D249,460	S	*	9/1978	Bleed	D8/373
D265,053	S	*	6/1982	Aerne	D8/370
4,526,335	A	*	7/1985	Garfinkle	248/220.31
5,259,220	A	*	11/1993	Fredrickson	70/14

D348,165	S	*	6/1994	Walaski	D6/556
D435,436	S	*	12/2000	Lay et al.	D8/370
D461,082	S	*	8/2002	Snell	D6/522
D465,372	S	*	11/2002	Shea	D6/567
D536,242	S	*	2/2007	DeBiasio, Jr.	D8/370
D543,442	S		5/2007	Shea		

OTHER PUBLICATIONS

Product Brochure, T. M. Shea Products, "Ideas for Space Ideas for Sales 3D in-Store Marketing and Merchandising Solutions", Troy, Michigan, 2009, front and back covers, pp. 46, 58, 65.

* cited by examiner

Primary Examiner — Robert M Spear

Assistant Examiner — Rashida C McCoy

(74) *Attorney, Agent, or Firm* — Harness, Dickey & Pierce, P.L.C.

(57) **CLAIM**

The ornamental design for a wire bracket, as shown and described.

DESCRIPTION

FIG. 1 is a perspective view of a first wire bracket showing my design;

FIG. 2 is a left side view thereof;

FIG. 3 is a right side view thereof;

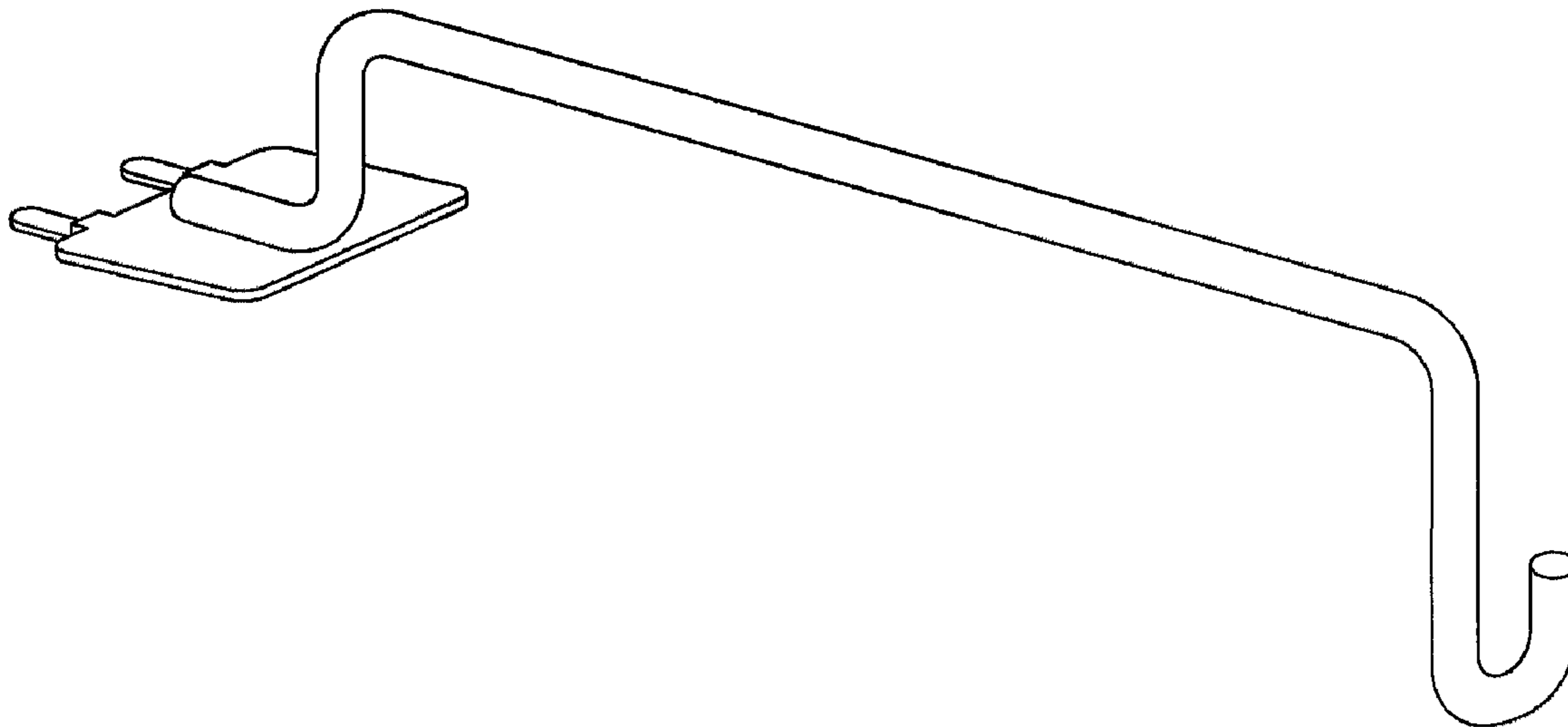
FIG. 4 is a front view thereof;

FIG. 5 is a rear view thereof;

FIG. 6 is a top view thereof; and,

FIG. 7 is a bottom view thereof.

1 Claim, 2 Drawing Sheets



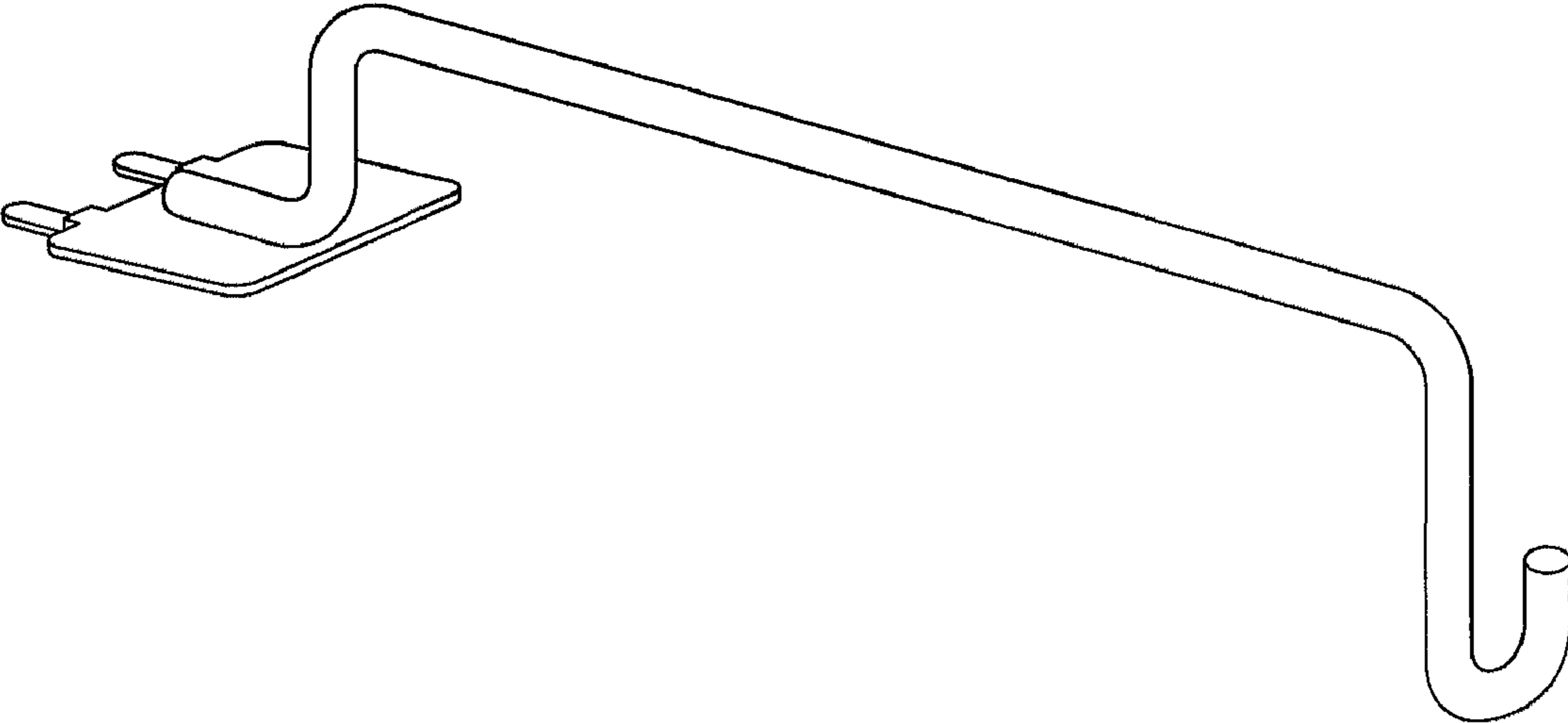


Fig-1

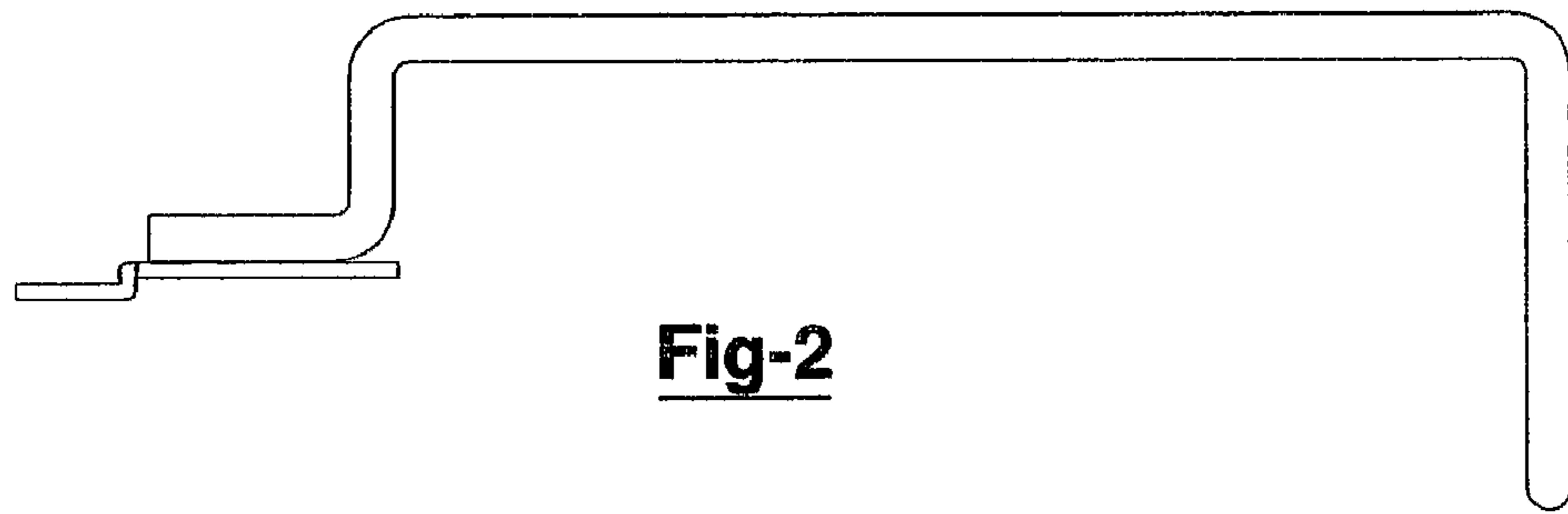


Fig-2

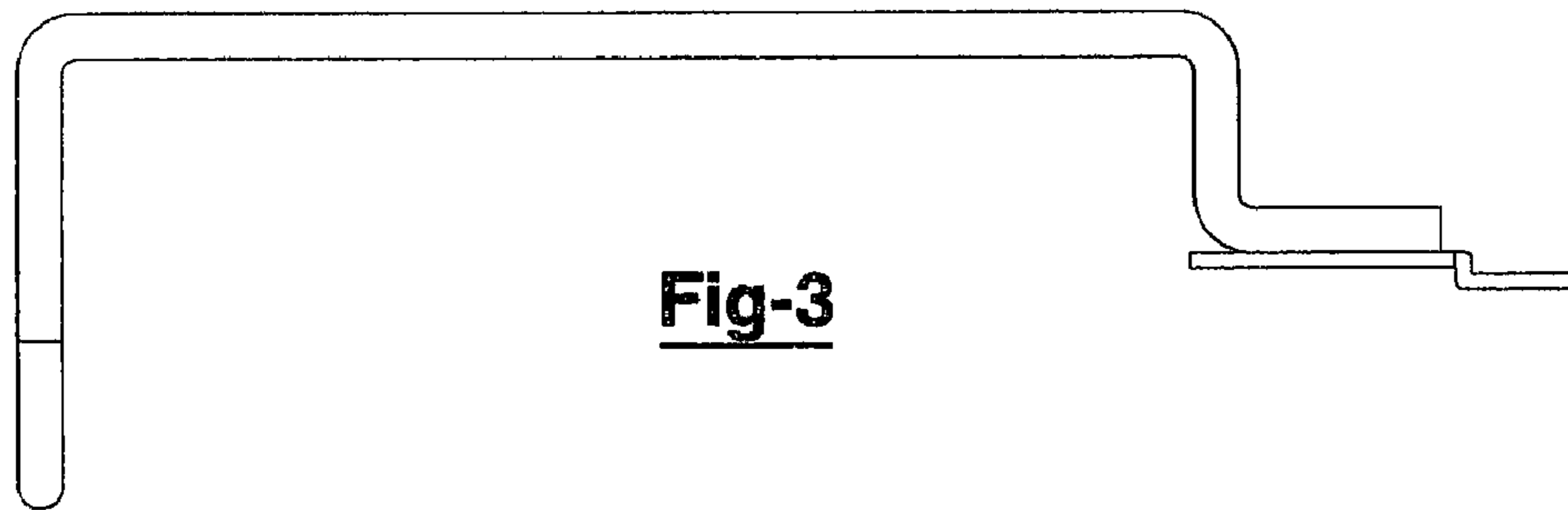


Fig-3

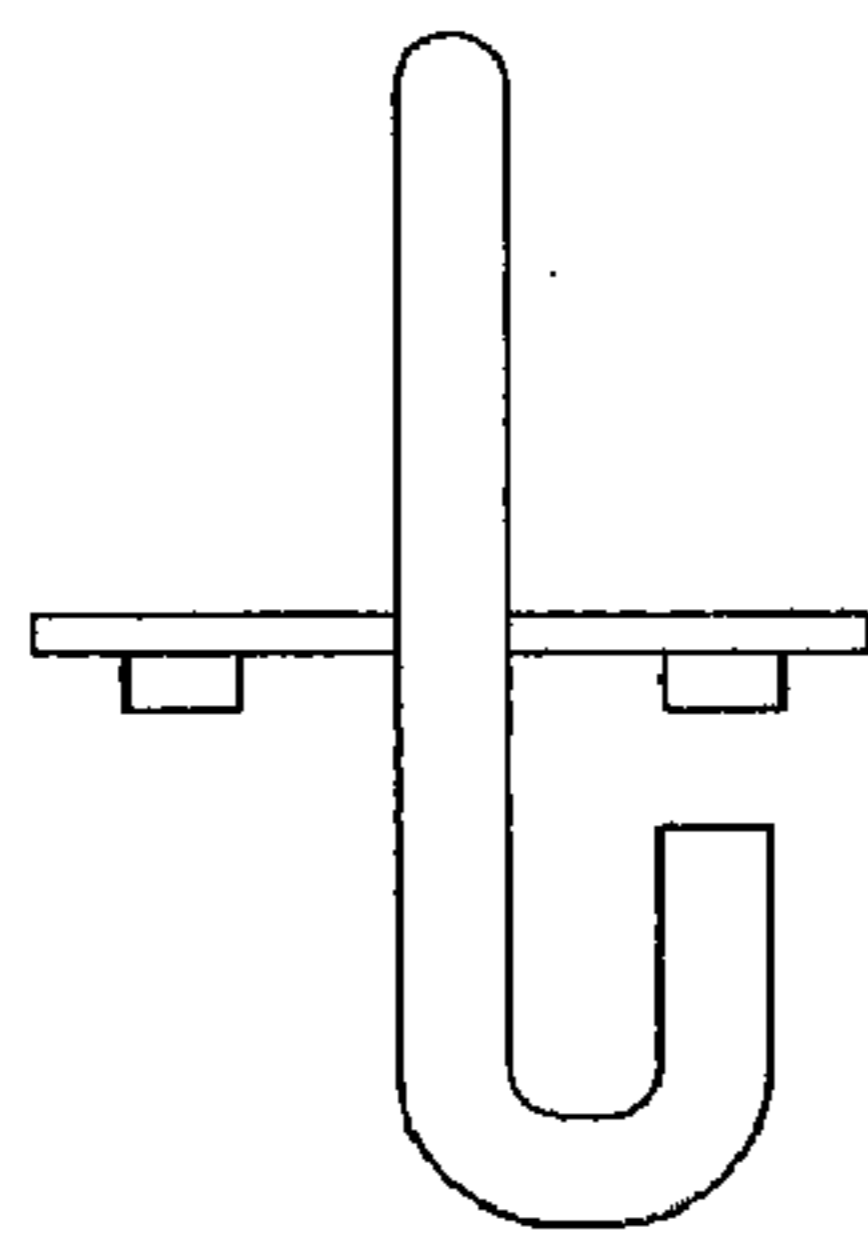


Fig-4

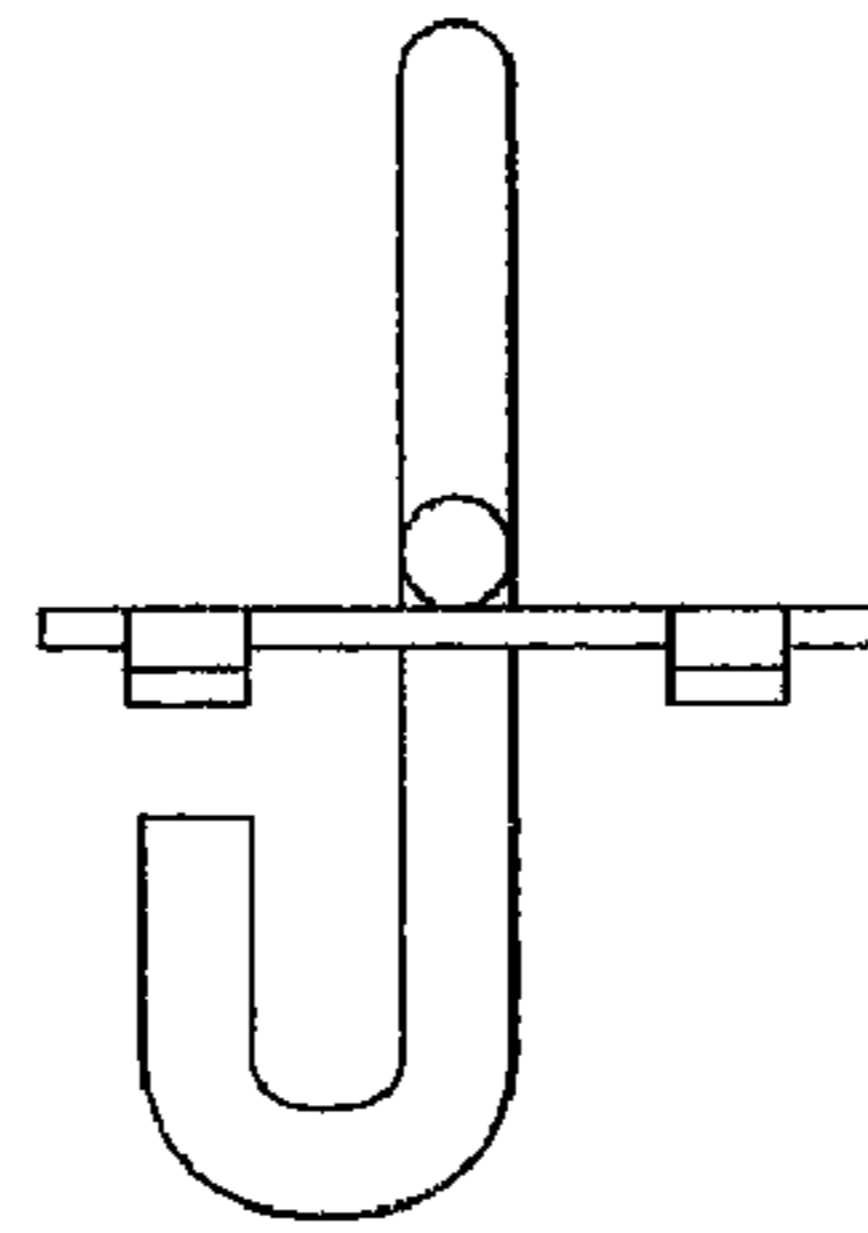


Fig-5

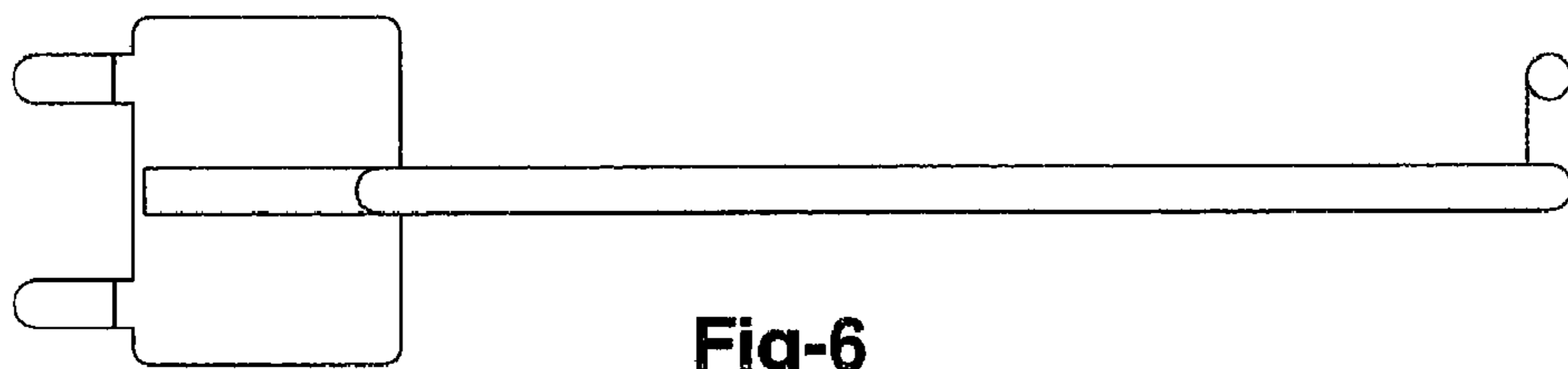


Fig-6

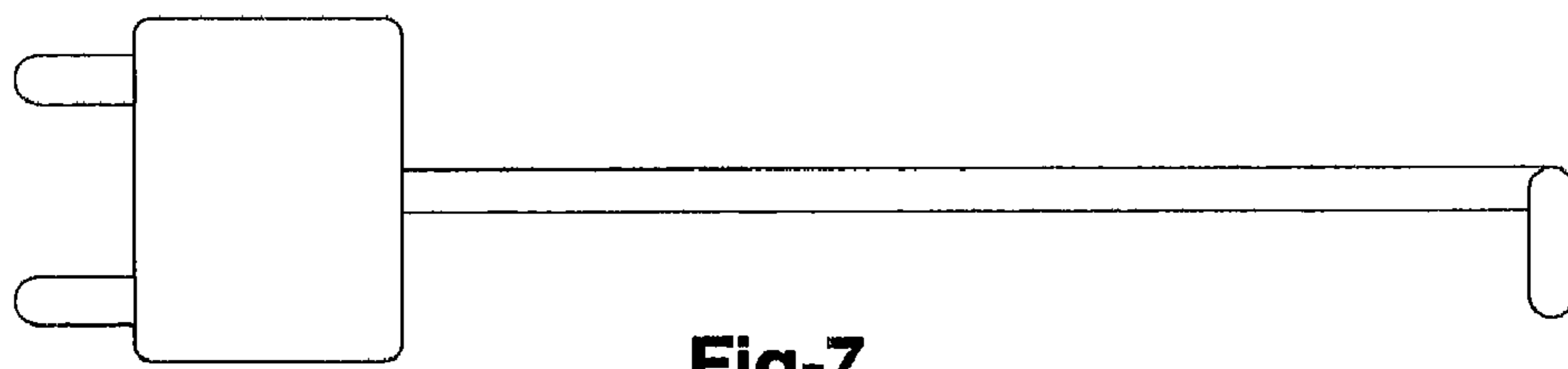


Fig-7