

US00D671391S

(12) **United States Design Patent**  
**Komeno et al.**

(10) **Patent No.:** **US D671,391 S**  
(45) **Date of Patent:** **\*\* Nov. 27, 2012**

(54) **CLIP**

(75) Inventors: **Jun Komeno**, Okazaki (JP); **Takahiro Sugiyama**, Anjo (JP); **Toshio Iwahara**, Okazaki (JP)

(73) Assignee: **Daiwa Kasei Kogyo Kabushiki Kaisha**, Aichi-ken (JP)

(\*\*) Term: **14 Years**

(21) Appl. No.: **29/411,901**

(22) Filed: **Jan. 27, 2012**

(30) **Foreign Application Priority Data**

Jul. 27, 2011 (JP) ..... 2011-017237  
Jul. 27, 2011 (JP) ..... 2011-017238  
Jul. 27, 2011 (JP) ..... 2011-017239

(51) **LOC (9) Cl.** ..... **08-05**

(52) **U.S. Cl.** ..... **D8/356**

(58) **Field of Classification Search** ..... D8/367,  
D8/356, 371, 373, 354, 355, 349, 395, 394,  
D8/382, 499; D6/323; D3/24; 248/215,  
248/301, 339, 349.1; 160/349.2; 24/265 H,  
24/265 R, 599.1, 599.8, 113 R, 573.5, 297,  
24/453; 294/82.18; 29/525.1, 45.3; 223/106;  
D14/432, 140, 217; 411/508

See application file for complete search history.

(56) **References Cited**

**U.S. PATENT DOCUMENTS**

2,069,691 A \* 2/1937 Wilson et al. .... 24/27  
D194,869 S \* 3/1963 Stall ..... D8/373  
D329,194 S \* 9/1992 Gillooly ..... D8/356  
5,207,403 A \* 5/1993 Penniman ..... 248/215  
D421,709 S \* 3/2000 Haslem et al. .... D8/354  
6,074,150 A \* 6/2000 Shinozaki et al. .... 411/508  
6,317,937 B1 \* 11/2001 Ishihara et al. .... 24/297  
D473,448 S \* 4/2003 Wu et al. .... D8/356

D479,378 S \* 9/2003 Simpson ..... D34/35  
6,718,599 B2 \* 4/2004 Dickinson et al. .... 24/295  
D494,452 S \* 8/2004 Sheldon et al. .... D8/367  
7,120,971 B2 \* 10/2006 Osterland et al. .... 24/295  
D538,137 S \* 3/2007 Dukes ..... D8/356  
D556,021 S \* 11/2007 Sexton ..... D8/356  
D570,203 S \* 6/2008 Shiimoto ..... D8/395  
D572,129 S \* 7/2008 Keays ..... D8/395  
7,475,934 B2 \* 1/2009 Sato et al. .... 296/146.7  
7,496,994 B1 \* 3/2009 Headley ..... 24/303  
D647,389 S \* 10/2011 Gracia ..... D8/367  
D658,974 S \* 5/2012 Komeno ..... D8/356  
2002/0194710 A1 \* 12/2002 Dickinson et al. .... 24/295  
2004/0083582 A1 \* 5/2004 Dickinson et al. .... 24/295

(Continued)

**FOREIGN PATENT DOCUMENTS**

JP D1303197 5/2007

(Continued)

*Primary Examiner* — Cynthia Underwood

(74) *Attorney, Agent, or Firm* — Dennison, Schultz & MacDonald

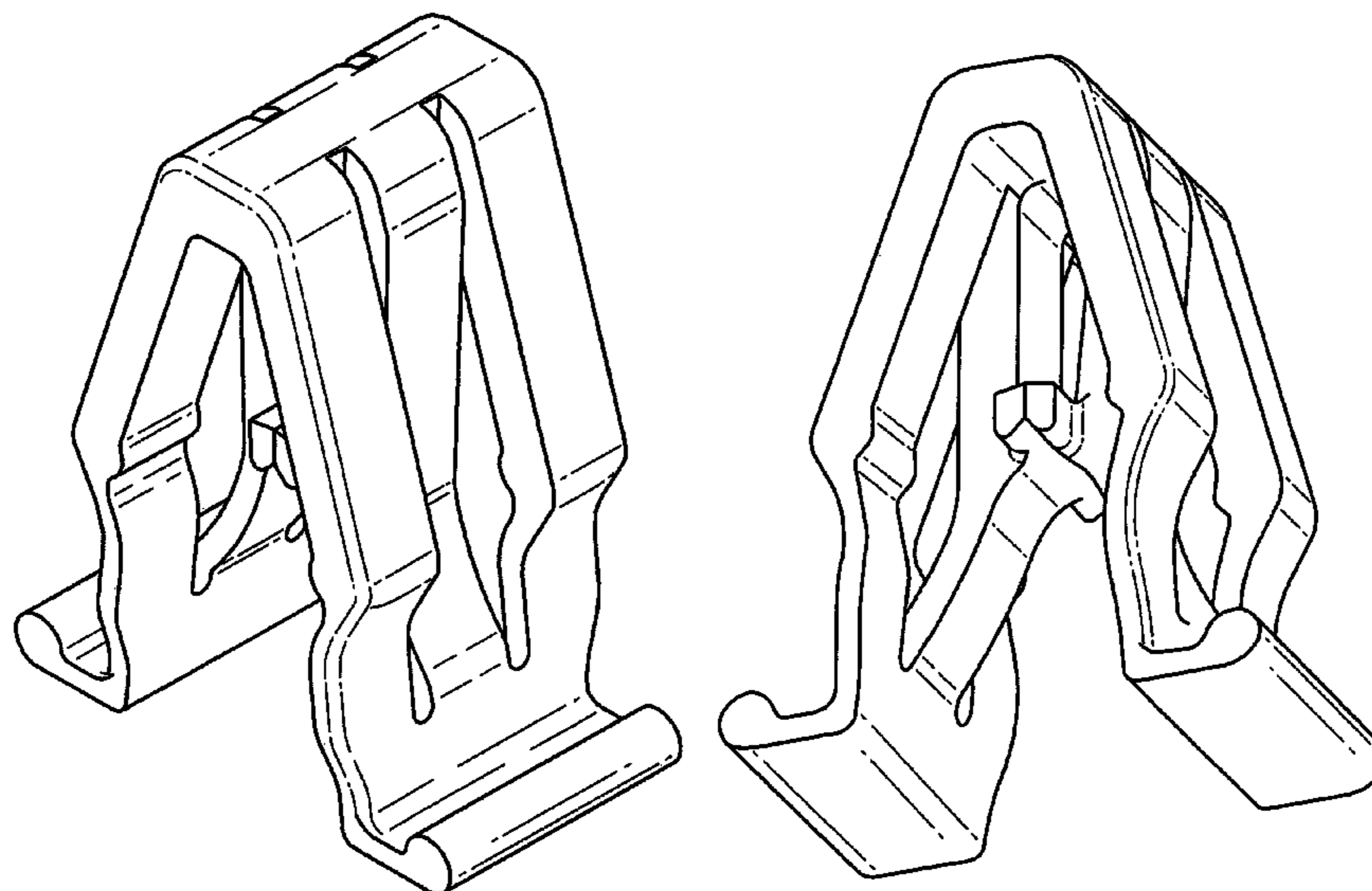
(57) **CLAIM**

The ornamental design for a clip, as shown and described.

**DESCRIPTION**

FIG. 1 is a perspective view viewed from top side of a clip showing our new design;  
FIG. 2 is a perspective view viewed from bottom side thereof;  
FIG. 3 is a front elevation view thereof;  
FIG. 4 is a right side elevation view thereof;  
FIG. 5 is a top plan view thereof;  
FIG. 6 is a bottom plan view thereof;  
FIG. 7 is a sectional view taken along line 7-7 in FIG. 3;  
FIG. 8 is a sectional view taken along line 8-8 in FIG. 4; and,  
FIG. 9 is a reference view showing the state of use.  
The broken lines shown in the drawings represent unclaimed portions of the clip and form no part of the claimed design.

**1 Claim, 9 Drawing Sheets**



# US D671,391 S

Page 2

---

## U.S. PATENT DOCUMENTS

2004/0096272 A1\* 5/2004 Dickinson et al. .... 403/397  
2005/0076602 A1\* 4/2005 Routhier ..... 52/698  
2005/0105987 A1\* 5/2005 Giugliano et al. .... 411/508  
2005/0217082 A1\* 10/2005 Vassiliou ..... 24/294

## FOREIGN PATENT DOCUMENTS

JP D1359892 4/2009

\* cited by examiner

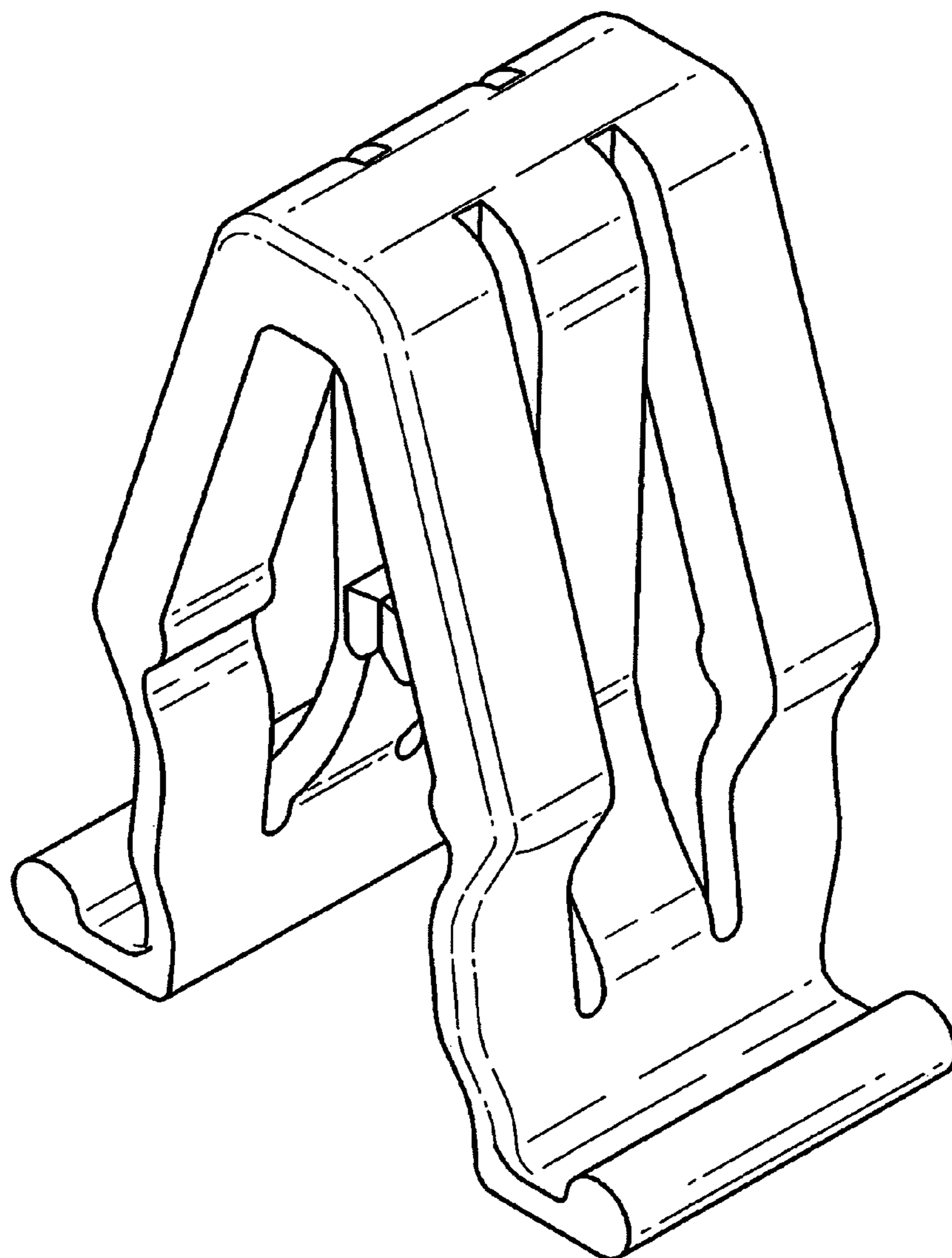


FIG. 1

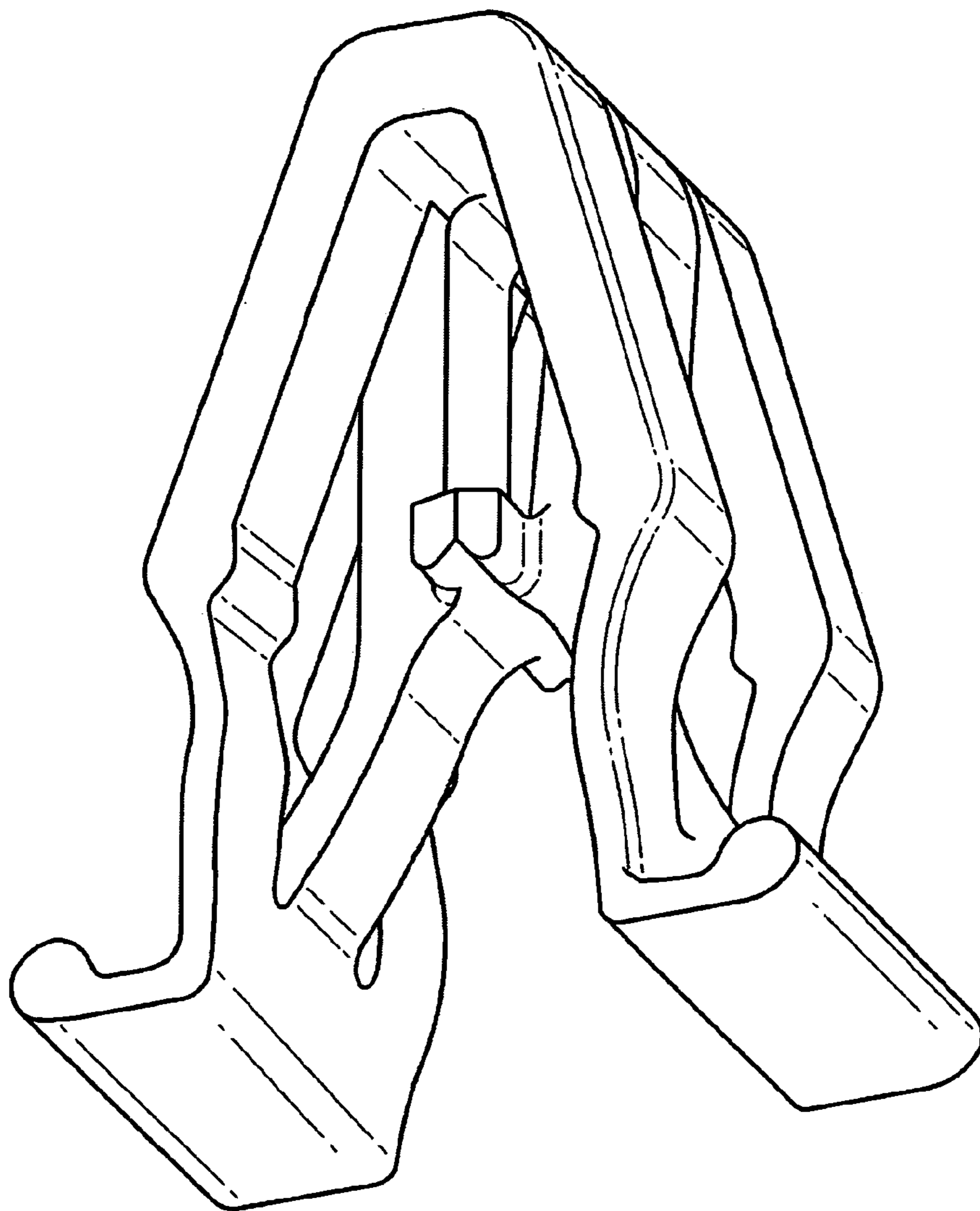


FIG. 2

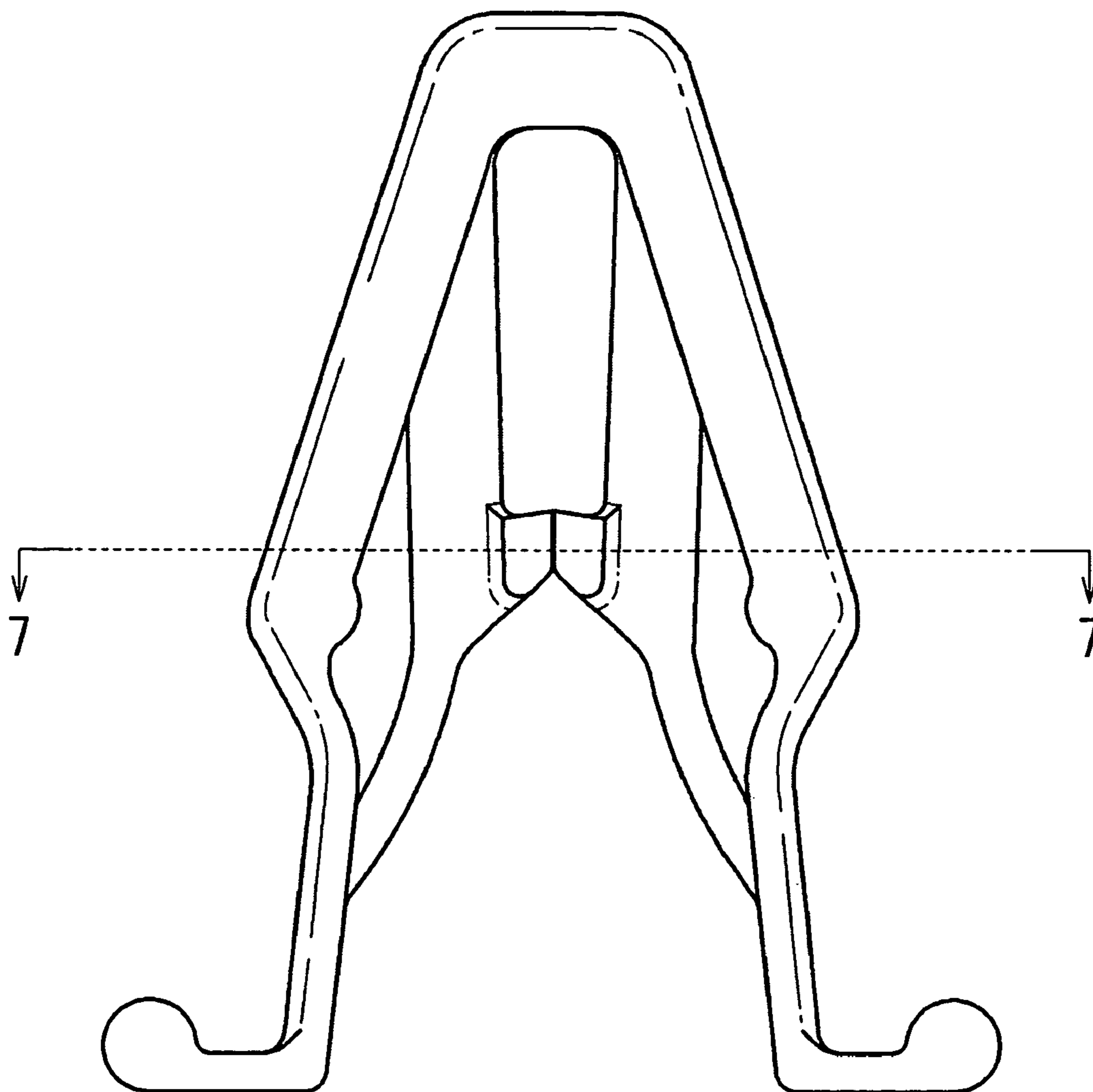


FIG. 3

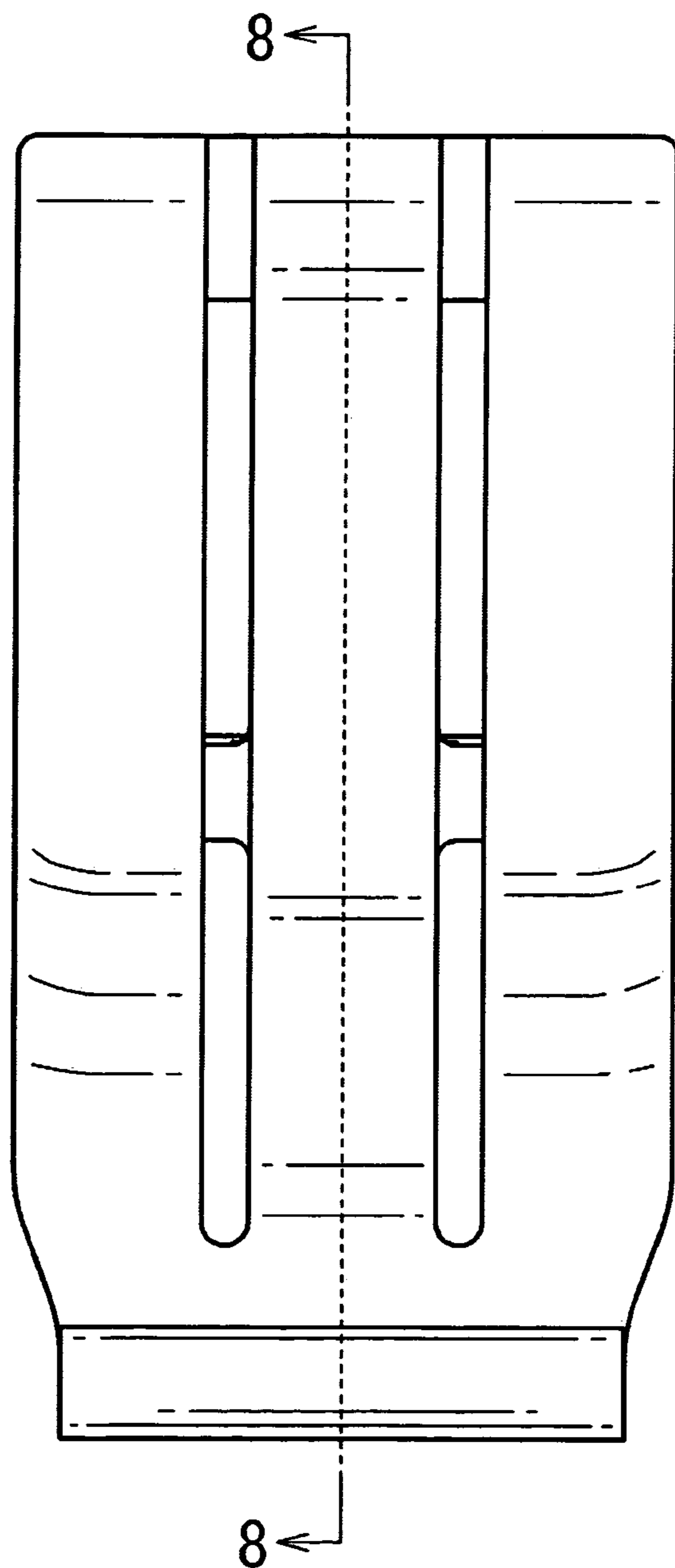


FIG. 4

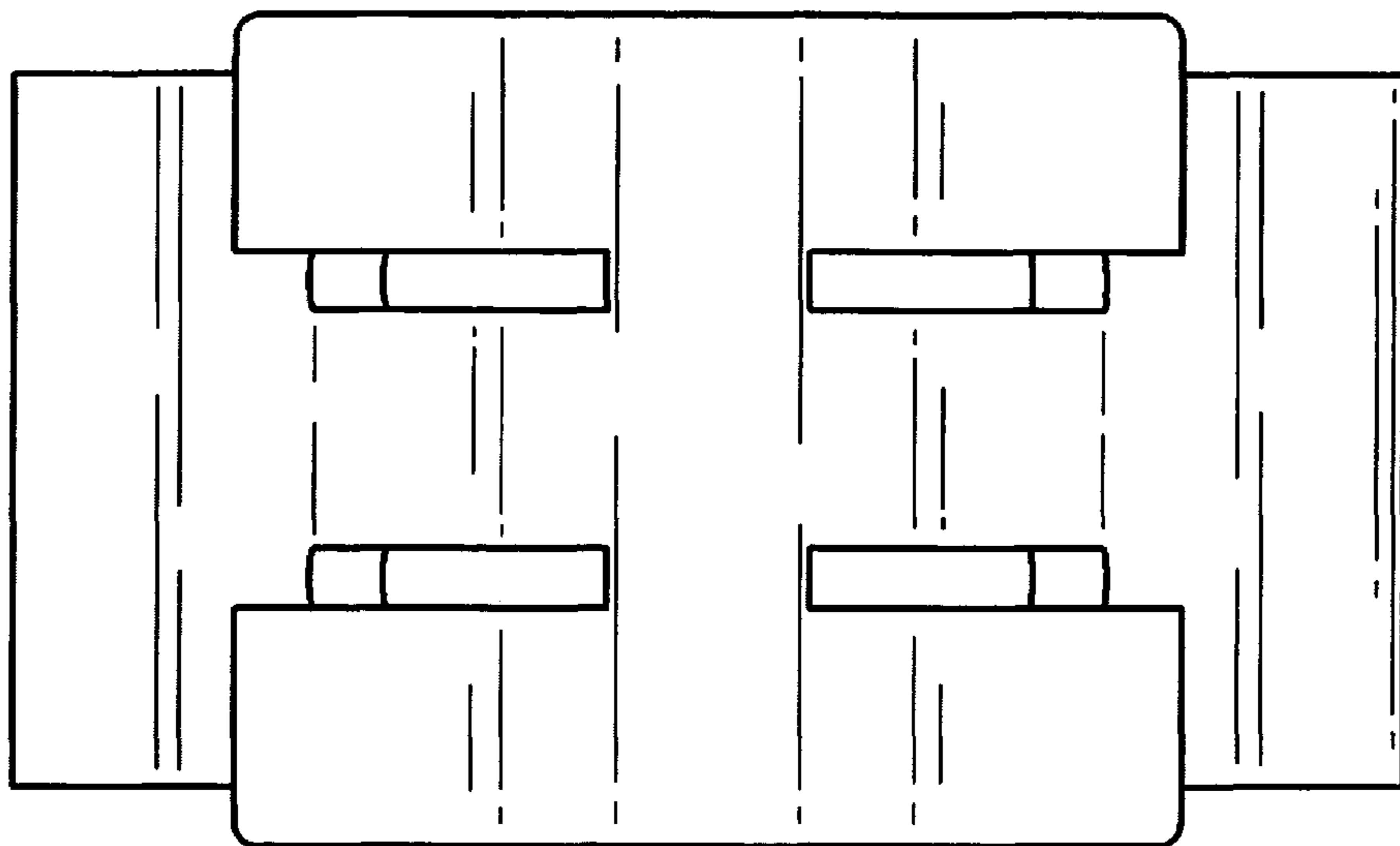


FIG. 5



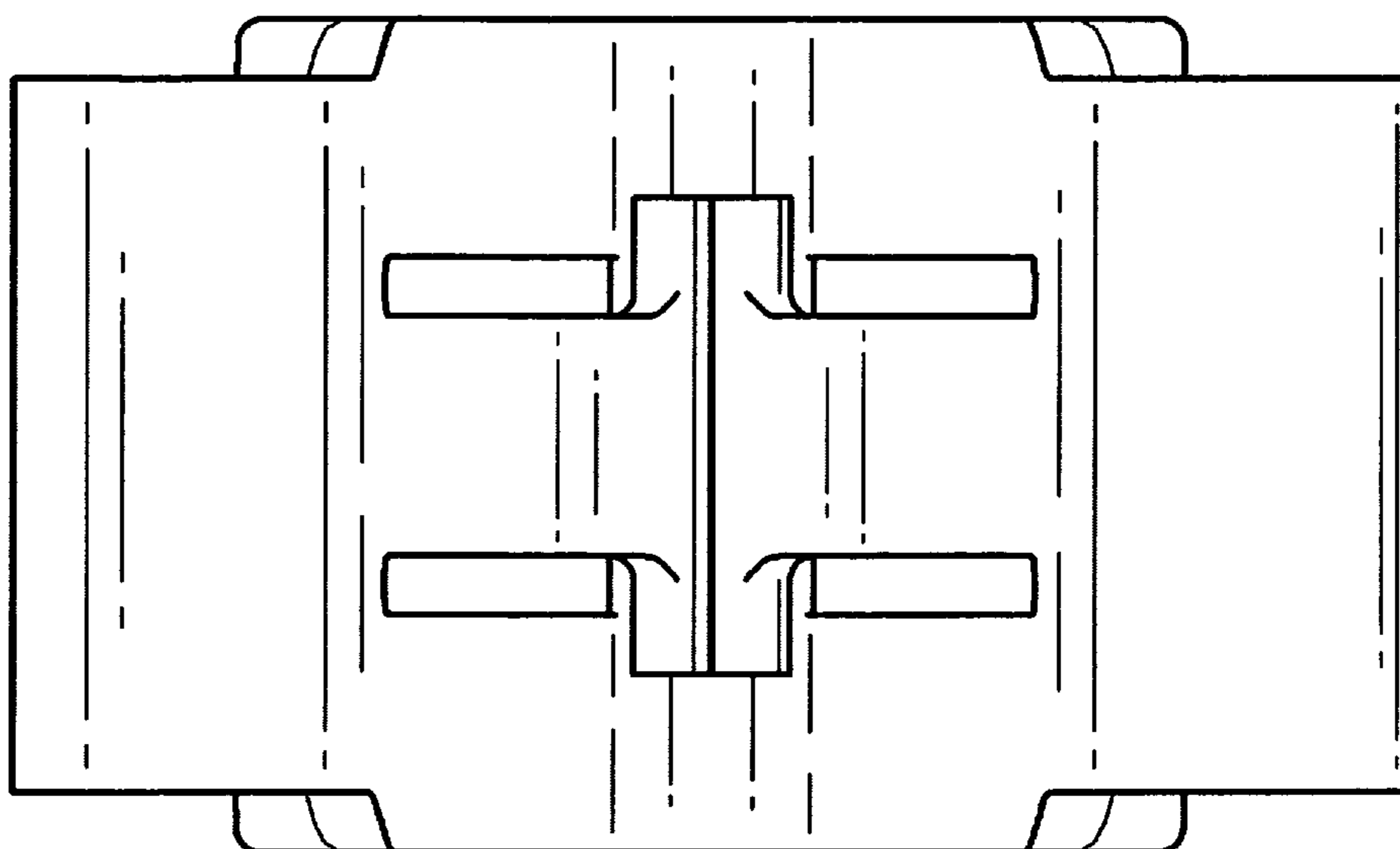


FIG. 6



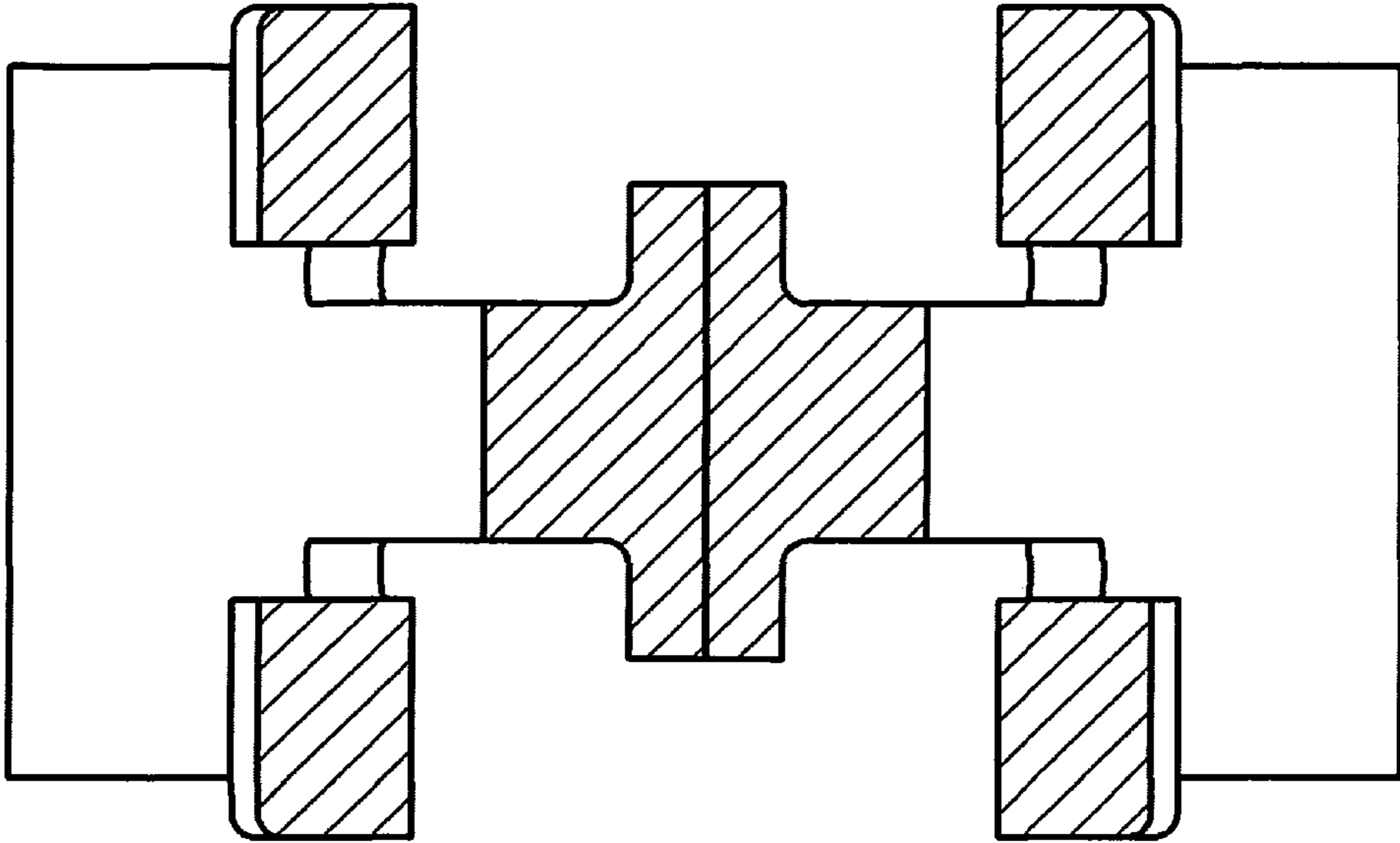


FIG. 7

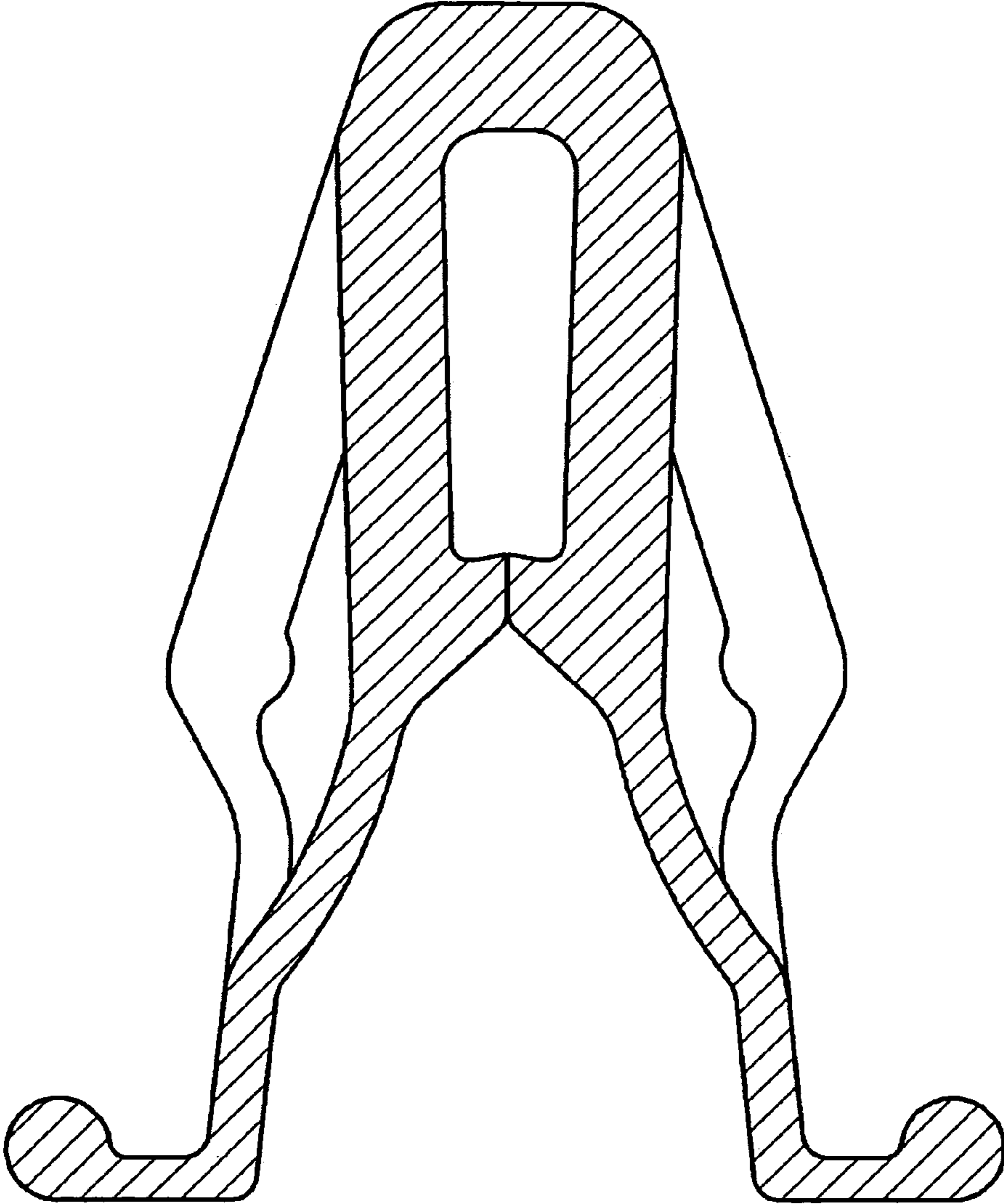


FIG. 8

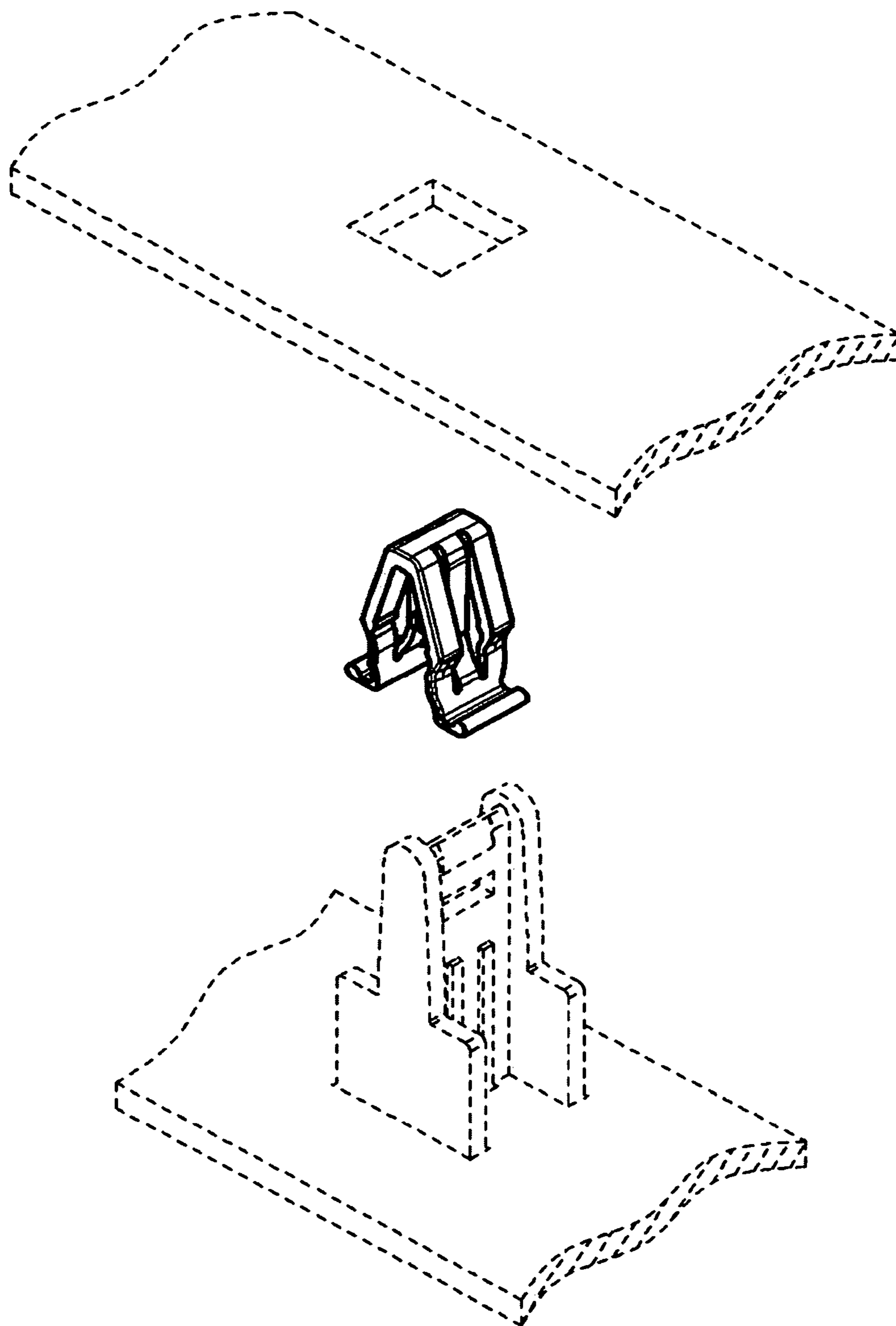


FIG. 9