



US00D671390S

(12) **United States Design Patent**  
**Ibarra**

(10) **Patent No.:** **US D671,390 S**  
(45) **Date of Patent:** **\*\* Nov. 27, 2012**

(54) **SAND ANCHOR**

(76) Inventor: **Ricky-Lee K. Ibarra**, Honolulu, HI  
(US)

(\*\*) Term: **14 Years**

(21) Appl. No.: **29/398,634**

(22) Filed: **Aug. 2, 2011**

(51) **LOC (9) Cl.** ..... **08-08**

(52) **U.S. Cl.** ..... **D8/349**

(58) **Field of Classification Search** ..... D8/349,  
D8/388, 356, 499; 405/259.1; 52/155, 156,  
52/166, 163, 148; 135/118, 119, 120.3, 120.4,  
135/99

See application file for complete search history.

(56) **References Cited**

U.S. PATENT DOCUMENTS

936,824	A *	10/1909	Simpson et al.	52/163
972,306	A *	10/1910	Wilcox	52/163
1,002,350	A *	9/1911	Wilcox	52/163
3,080,024	A *	3/1963	Clevett	52/155
3,969,854	A *	7/1976	Deike	52/163
4,003,169	A *	1/1977	Young, II	52/155
D245,224	S *	8/1977	Bowers	D8/388
4,098,041	A	7/1978	Frye	
4,574,539	A *	3/1986	Deike	52/163
D287,098	S *	12/1986	Wilson et al.	D8/388
4,688,360	A *	8/1987	Luong et al.	52/166
4,702,047	A	10/1987	Stokes	
4,738,063	A *	4/1988	Alsop	52/163
4,802,317	A *	2/1989	Chandler	52/163
5,123,779	A *	6/1992	Miller	405/19
5,175,966	A *	1/1993	Remke et al.	52/163
5,322,386	A	6/1994	Trangsrug	

5,396,743	A	3/1995	Bellette	
5,396,916	A	3/1995	Boissonnault	
5,461,833	A	10/1995	Murray et al.	
5,515,656	A	5/1996	Mihalich	
5,720,579	A	2/1998	Trangsrud	
D420,891	S *	2/2000	Trangsrud	D8/354
6,164,613	A	12/2000	Williams	
D443,672	S	6/2001	Yager	
6,412,748	B1	7/2002	Girard	
6,516,897	B2	2/2003	Thompson	
6,619,307	B2	9/2003	Orr	

(Continued)

OTHER PUBLICATIONS

Mountain Hardwear Snow & Sand Tent Anchors, [http://www.backcountryedge.com/mountain\\_hardwear-snow-and-sand-tent-anchor-4-pack](http://www.backcountryedge.com/mountain_hardwear-snow-and-sand-tent-anchor-4-pack), know about as early as Nov. 2010.

(Continued)

Primary Examiner — Mark Goodwin

(74) Attorney, Agent, or Firm — Kunzler Law Group, PC

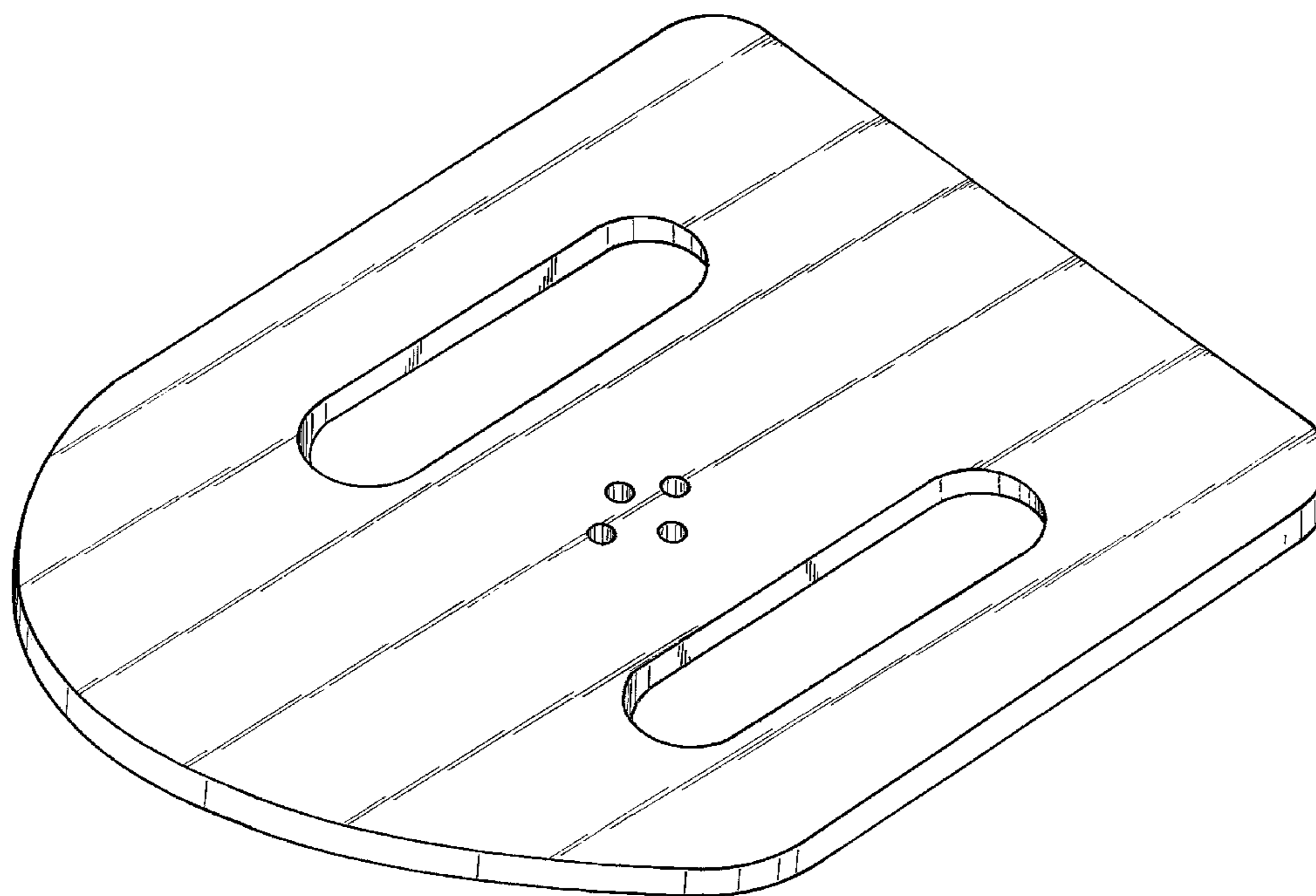
(57) **CLAIM**

The ornamental design for a sand anchor, as shown and described.

**DESCRIPTION**

FIG. 1 is a front perspective view of the sand anchor;  
FIG. 2 is a front view of the sand anchor;  
FIG. 3 is a rear view of the sand anchor;  
FIG. 4 is a left side view of the sand anchor;  
FIG. 5 is a right side view of the sand anchor;  
FIG. 6 is a top view of the sand anchor; and,  
FIG. 7 is a bottom view of the sand anchor.

**1 Claim, 4 Drawing Sheets**



U.S. PATENT DOCUMENTS

6,895,613 B1 5/2005 Clouston  
7,302,904 B2 12/2007 Burns  
7,353,833 B1 4/2008 Palmer  
7,484,336 B2 2/2009 Stone

OTHER PUBLICATIONS

REI Snow and Sand Tent Anchors, <http://www.rei.com/product/725165>, known about as early as Oct. 2007.  
Sand Anchor or Deadman Tent Snow Anchors—4 Pack, <http://www.backyardcity.com/Shad/canopies/3L-Sand-Anchors.htm>, Known about as early as Nov. 2010.

Sand Anchors for Beach or Sand Courts, <http://http://www.laceandfabric.com/Sand-Anchors-for-Beach-or-Sand-Courts-Sand-Stakes-Beach.htm>, Known about as early as Feb. 2011.  
Volleyball Sand Kits, Guy Line Sand Anchors, [www.beachbvgear.com/Sandkits.htm](http://www.beachbvgear.com/Sandkits.htm), Known about as early as Feb. 2011.  
Sand Anchors, [www.volleyballmecca.com](http://www.volleyballmecca.com), <http://www.volleyballmecca.com/site/1375009/product/1026B>, Know about as early as Feb. 2011.  
Universal Sand Kit, <http://www.volleyballmecca.com/site/1375009/product/1026>, Known about as early as Feb. 2011.

\* cited by examiner

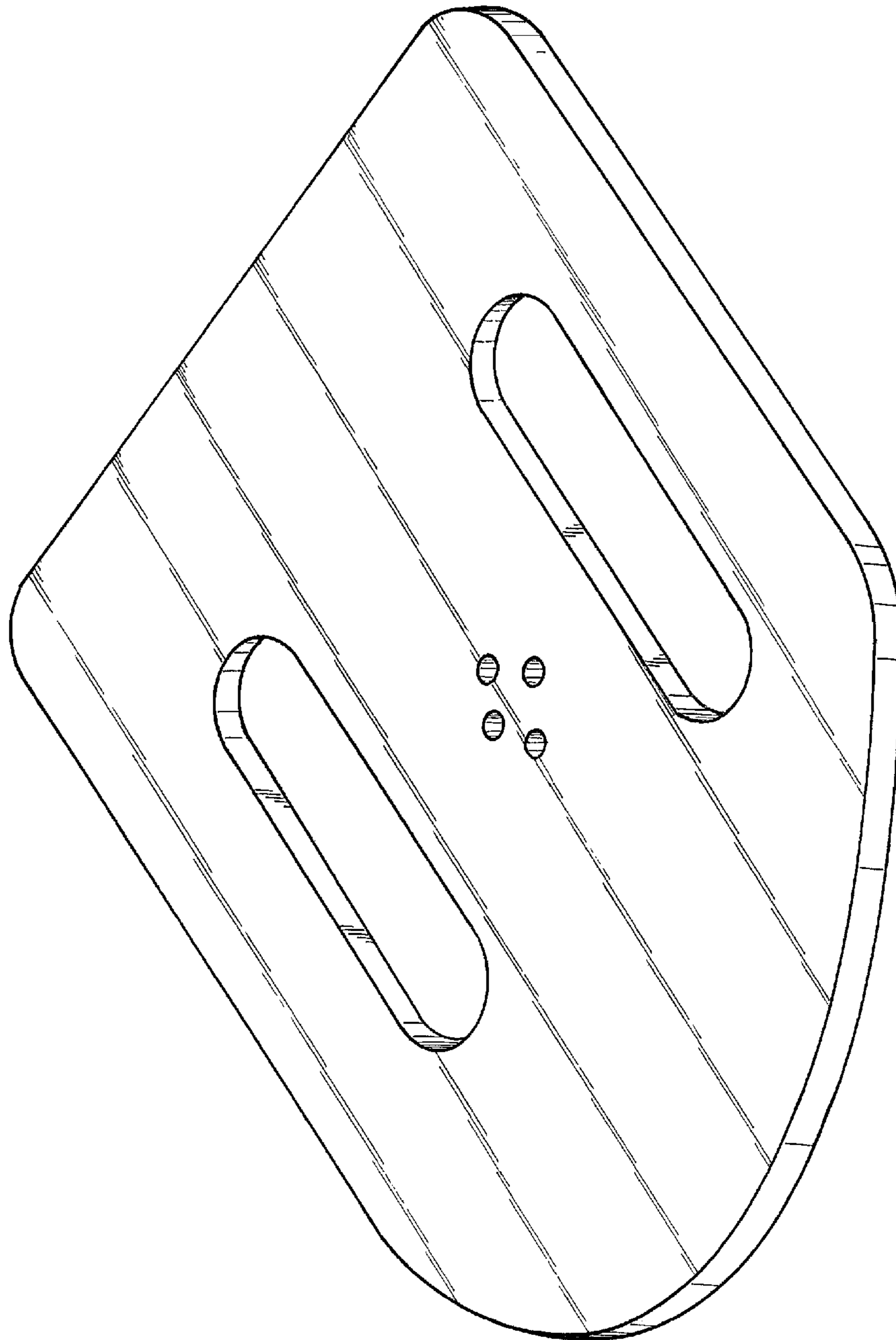


FIG.1

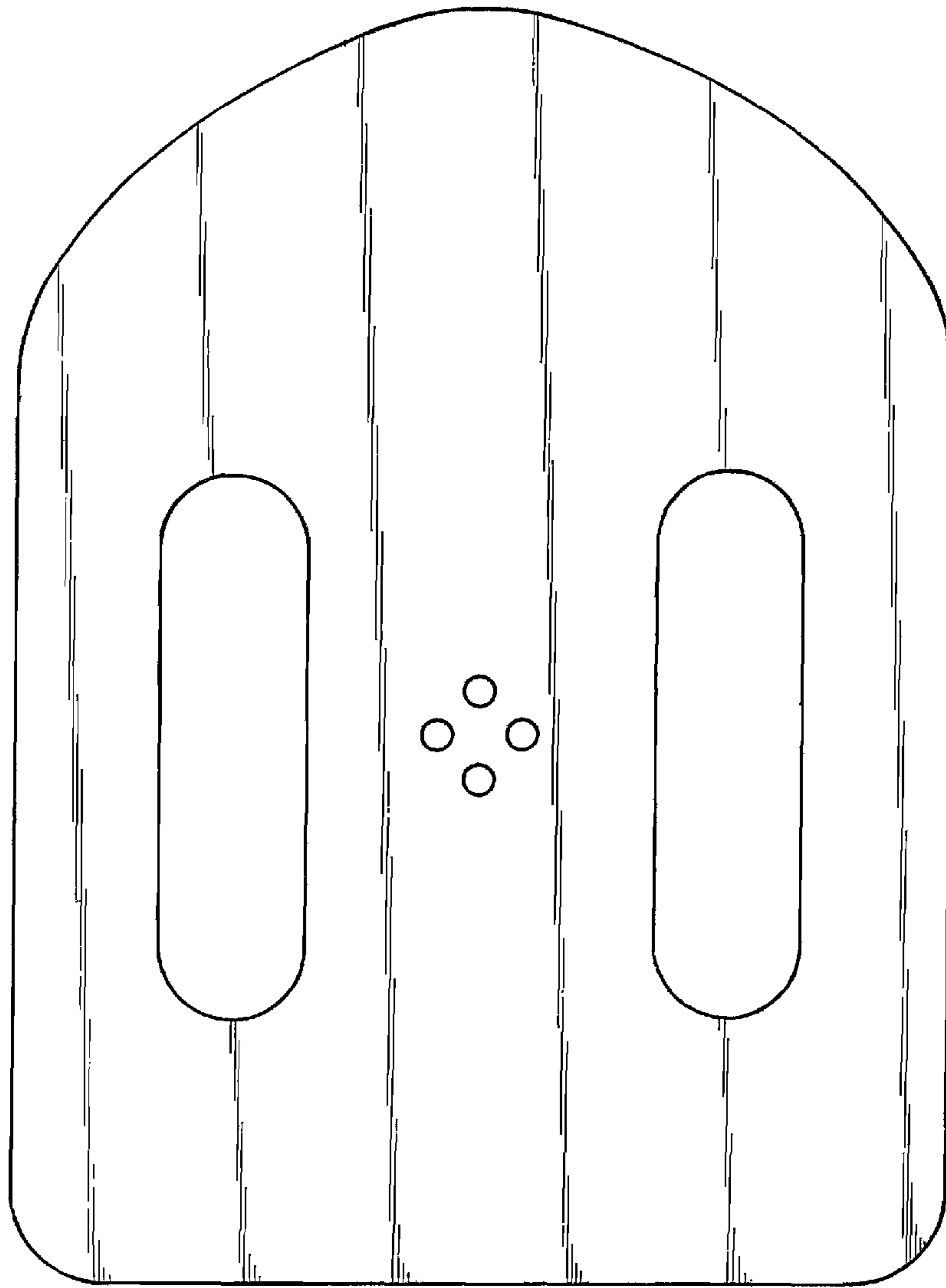


FIG.2

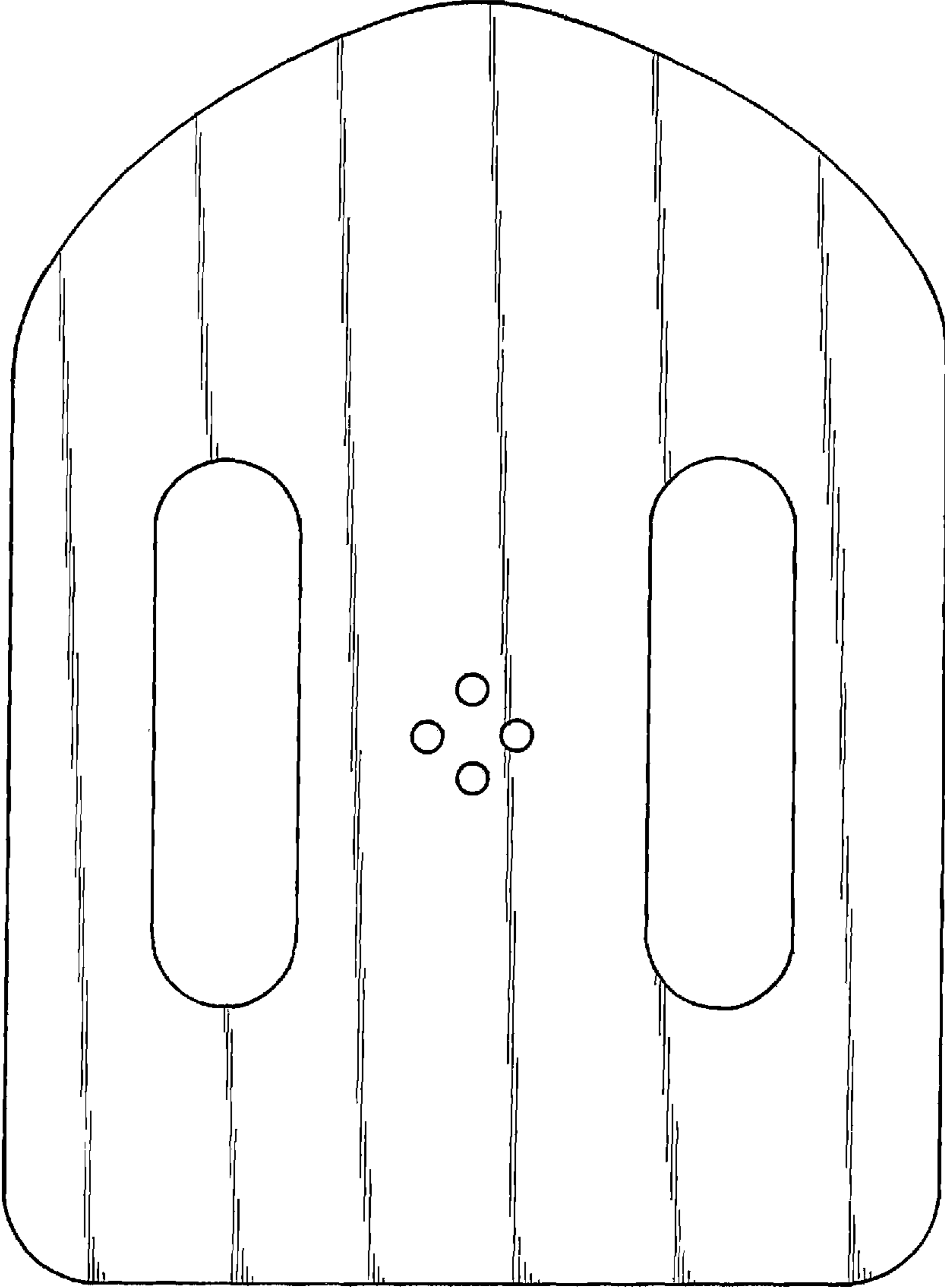


FIG.3



FIG.4

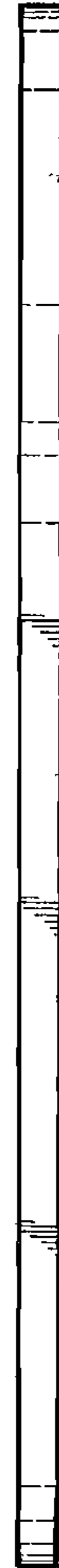


FIG.5

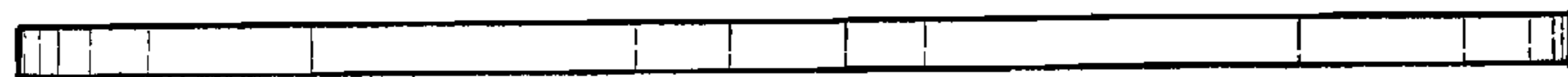


FIG.6

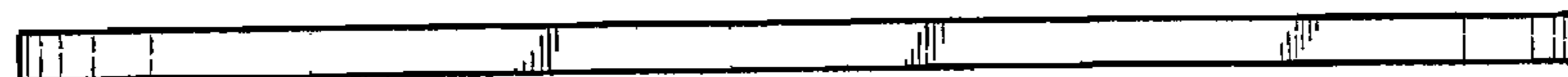


FIG.7