



US00D671389S

(12) **United States Design Patent**
Plato

(10) **Patent No.:** **US D671,389 S**
(45) **Date of Patent:** **** Nov. 27, 2012**

- (54) **LOCK**
- (75) **Inventor:** **Lea Marie Plato**, Milwaukee, WI (US)
- (73) **Assignee:** **Master Lock Company LLC**, Oak Creek, WI (US)
- (**) **Term:** **14 Years**
- (21) **Appl. No.:** **29/418,451**
- (22) **Filed:** **Apr. 17, 2012**

D471,429	S	3/2003	Williams et al.
6,539,754	B1	4/2003	Fang
6,718,803	B2	4/2004	Knoll
6,993,943	B1	2/2006	Chang
D518,357	S	4/2006	Kearns et al.
D537,320	S	2/2007	Kearns et al.
D537,703	S	3/2007	Kearns et al.
D587,983	S	3/2009	Zorc et al.
D587,984	S	3/2009	Zorc et al.
D595,112	S	6/2009	Zorc et al.
D606,840	S	12/2009	Gould
D638,278	S	5/2011	Plato
D646,552	S	10/2011	Plato
D664,024	S *	7/2012	Plato D8/343
2008/0011027	A1	1/2008	Yu
2010/0326143	A1	12/2010	Loughlin et al.

Related U.S. Application Data

- (62) Division of application No. 29/393,564, filed on Jun. 7, 2011, now Pat. No. Des. 660,130.
- (51) **LOC (9) Cl.** **08-07**
- (52) **U.S. Cl.** **D8/334; D8/343**
- (58) **Field of Classification Search** D8/330-347;
70/14, 20-28, 31, 32, 39, 41, 52-56, 86,
70/314, 423, DIG. 43, DIG. 56, 38 A, DIG. 3,
70/DIG. 4

See application file for complete search history.

* cited by examiner

Primary Examiner — Prabhakar Deshmukh
(74) *Attorney, Agent, or Firm* — Calfee, Halter & Griswold LLP

(57) **CLAIM**
I claim the ornamental design for a lock, as shown and described.

DESCRIPTION

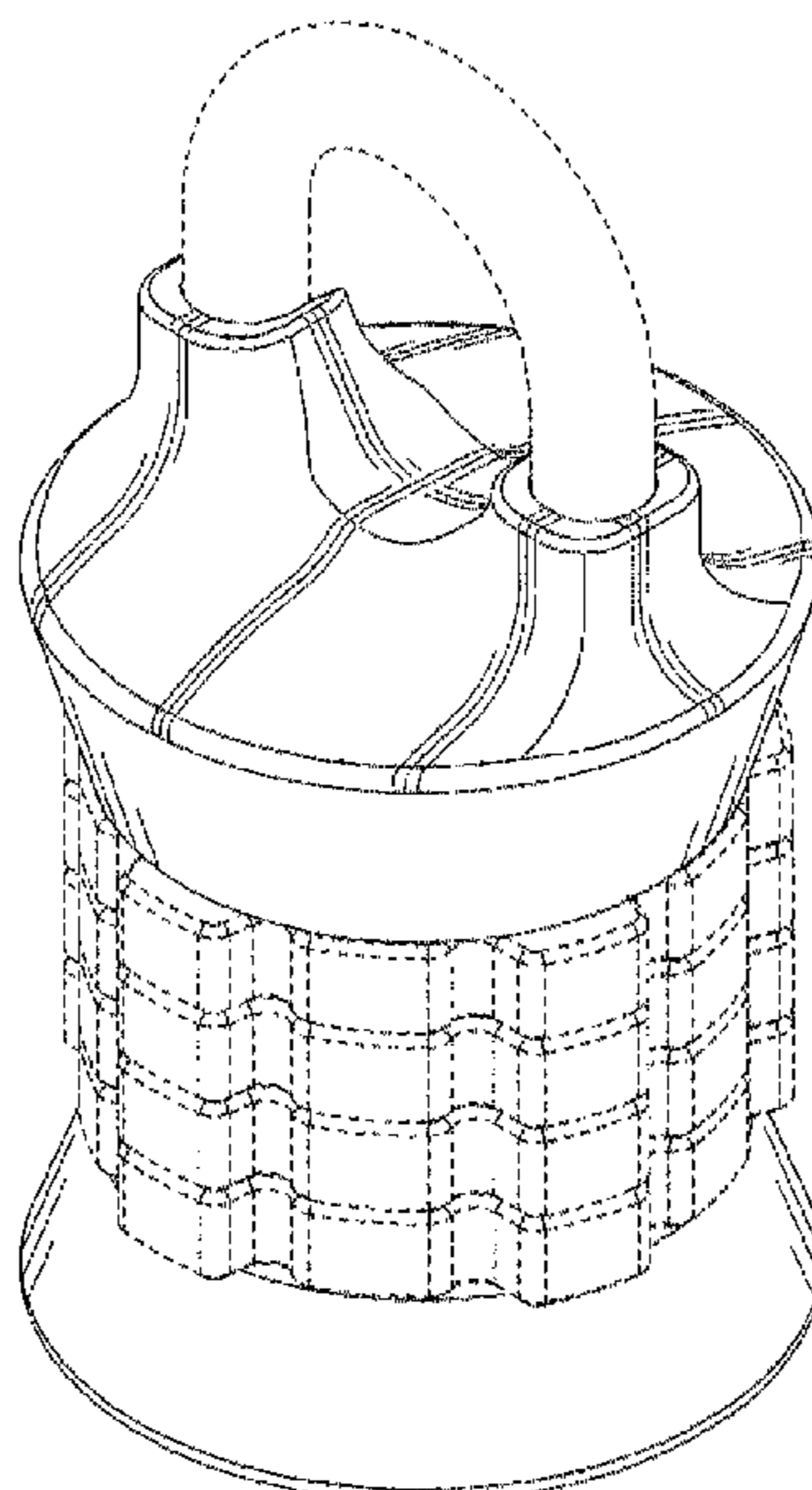
FIG. 1 is a front perspective view of another lock showing my new design;
FIG. 2 is a rear perspective view of the lock of FIG. 1;
FIG. 3 is a top view of the lock of FIG. 1;
FIG. 4 is a front elevational view of the lock of FIG. 1;
FIG. 5 is a rear elevational view of the lock of FIG. 1;
FIG. 6 is a bottom view of the lock of FIG. 1;
FIG. 7 is a left side elevational view of the lock of FIGS. 1;
and,
FIG. 8 is a right side elevational view of the lock of FIG. 1.
The broken lines in the figures depict environment only and form no part of the claimed design.

(56) **References Cited**

U.S. PATENT DOCUMENTS

D99,554	S	5/1936	Slaymaker
D142,481	S	10/1945	Juakopets
3,256,723	A	6/1966	Lehman
4,226,100	A	10/1980	Hampton et al.
5,761,935	A *	6/1998	Adelmeyer 70/55
D408,262	S	4/1999	Liu
6,035,672	A	3/2000	Lai
D432,393	S	10/2000	Gast
D437,768	S	2/2001	Grosz et al.
D451,002	S	11/2001	Lai
D453,467	S	2/2002	Nakamura
D458,530	S *	6/2002	Grosz et al. D8/334
D459,530	S	6/2002	Grosz et al.
6,434,981	B2	8/2002	Fantl et al.

1 Claim, 5 Drawing Sheets



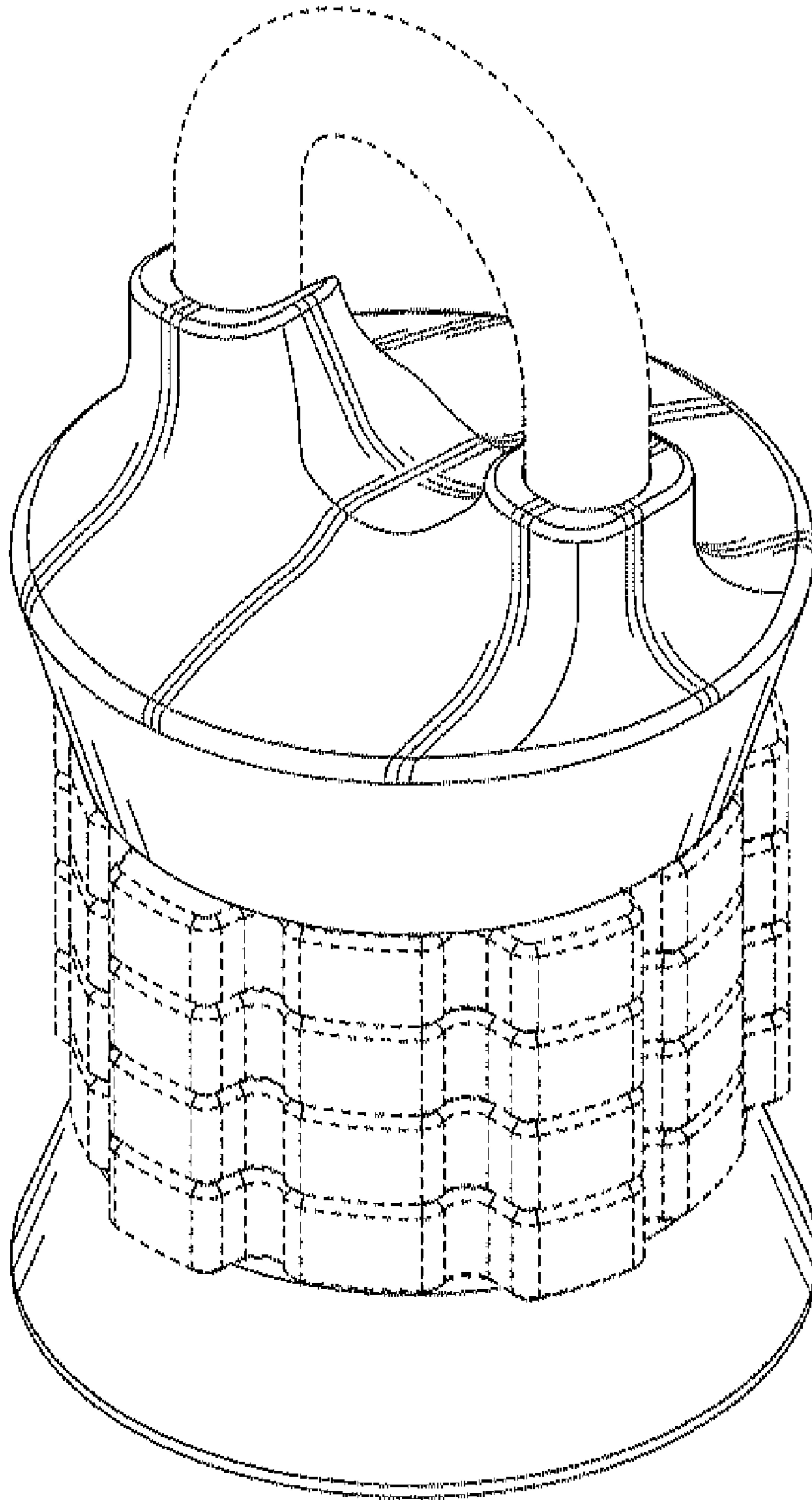


FIG. 1

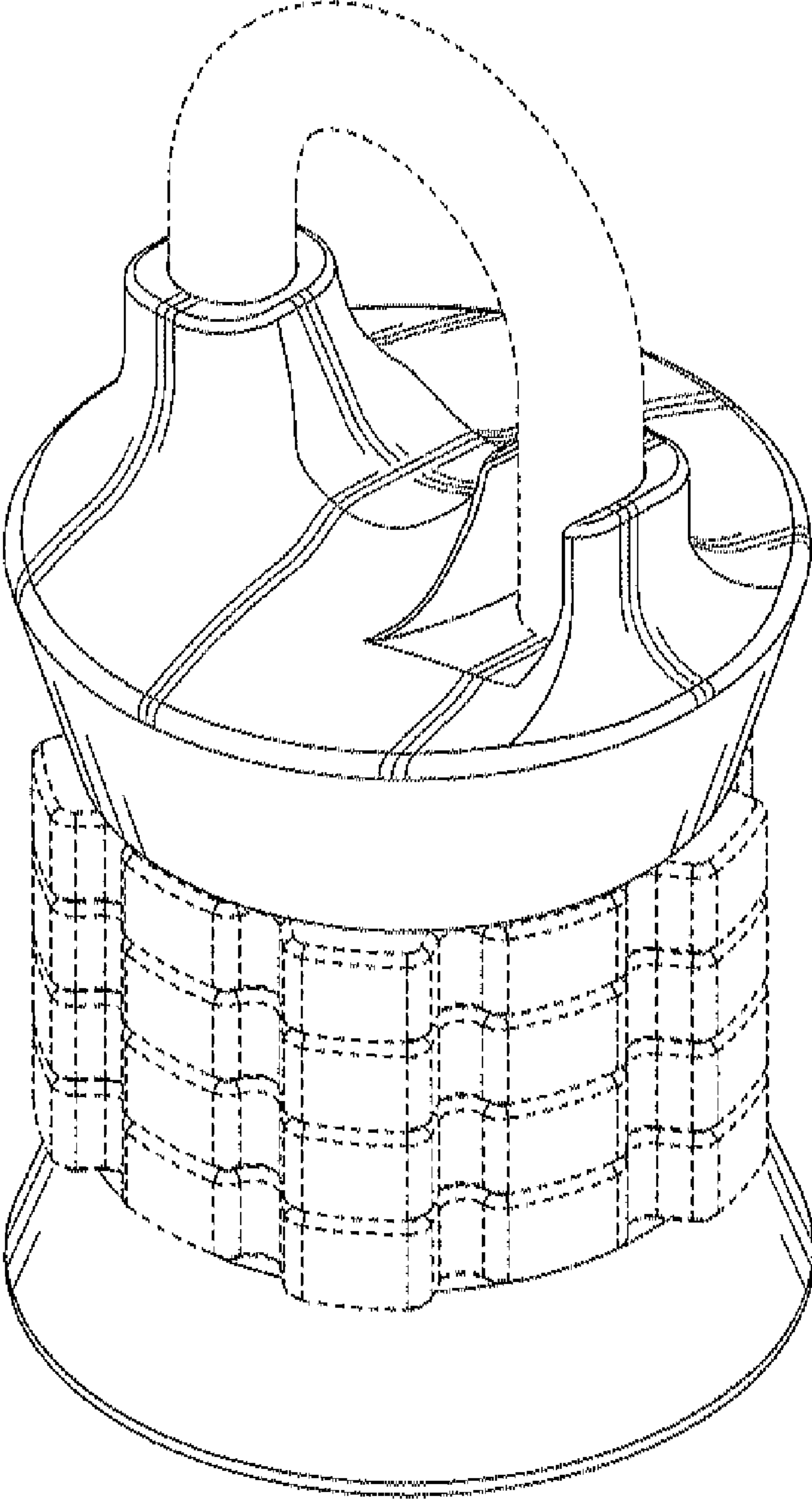


FIG. 2

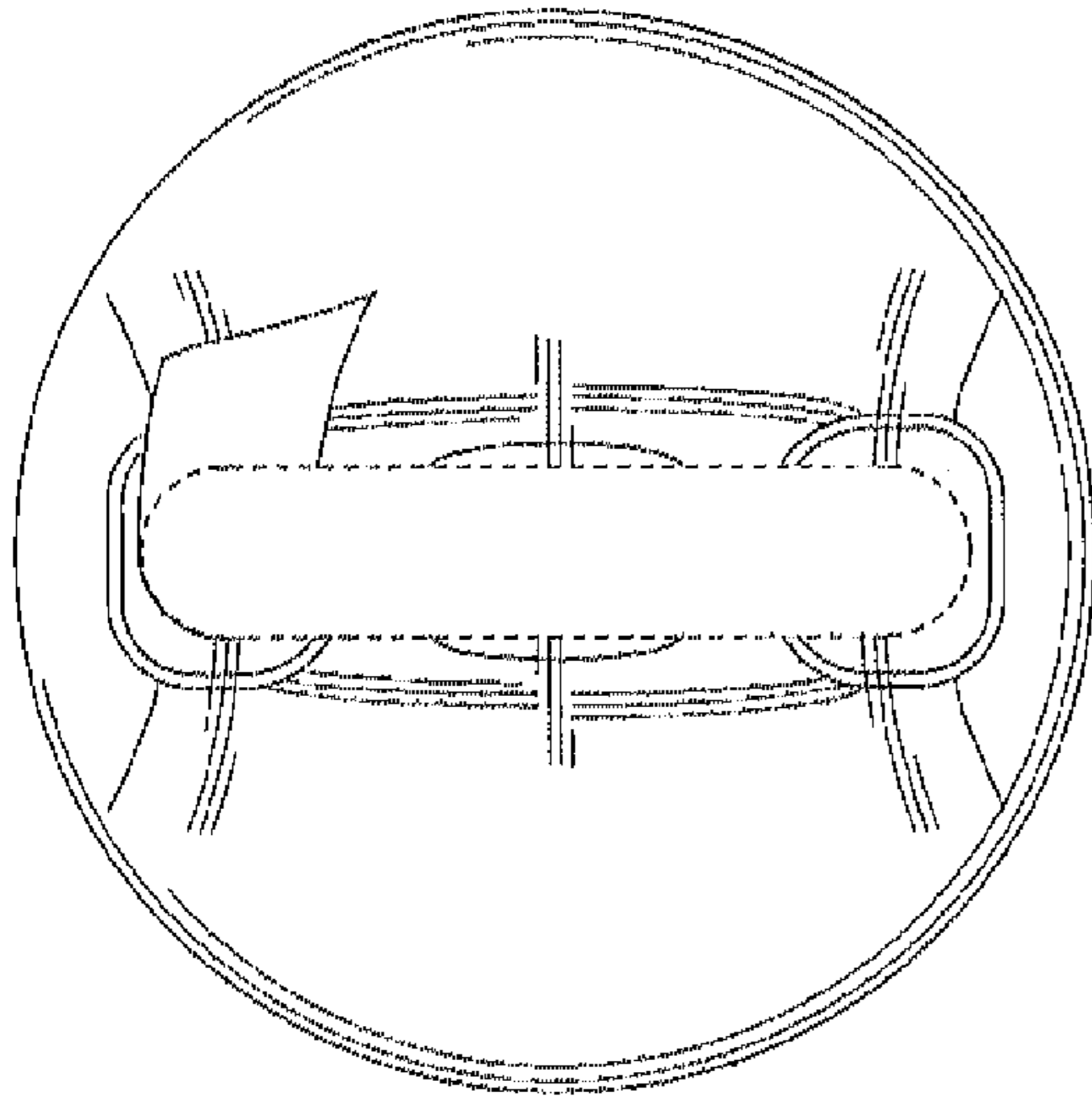


FIG. 3

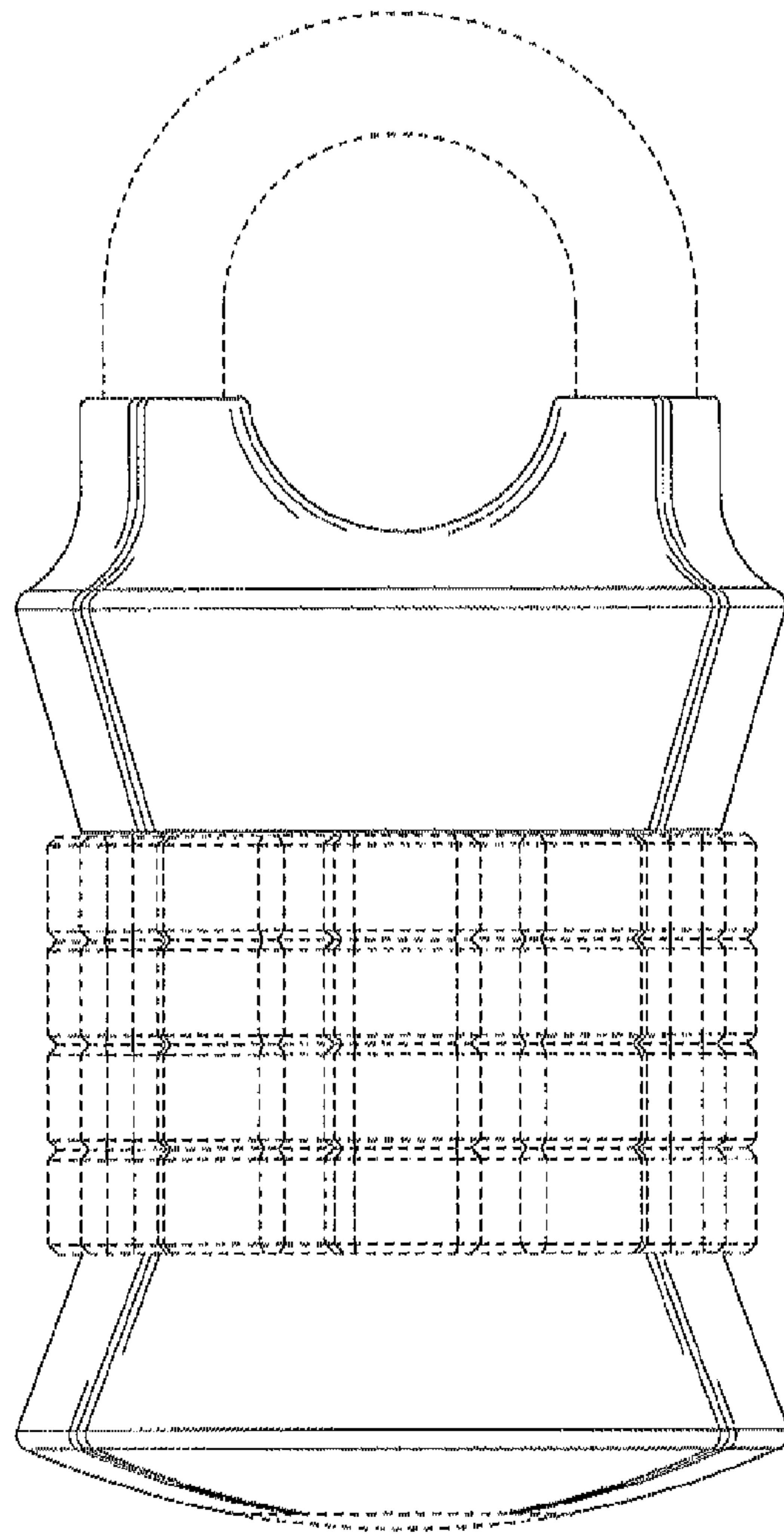


FIG. 4

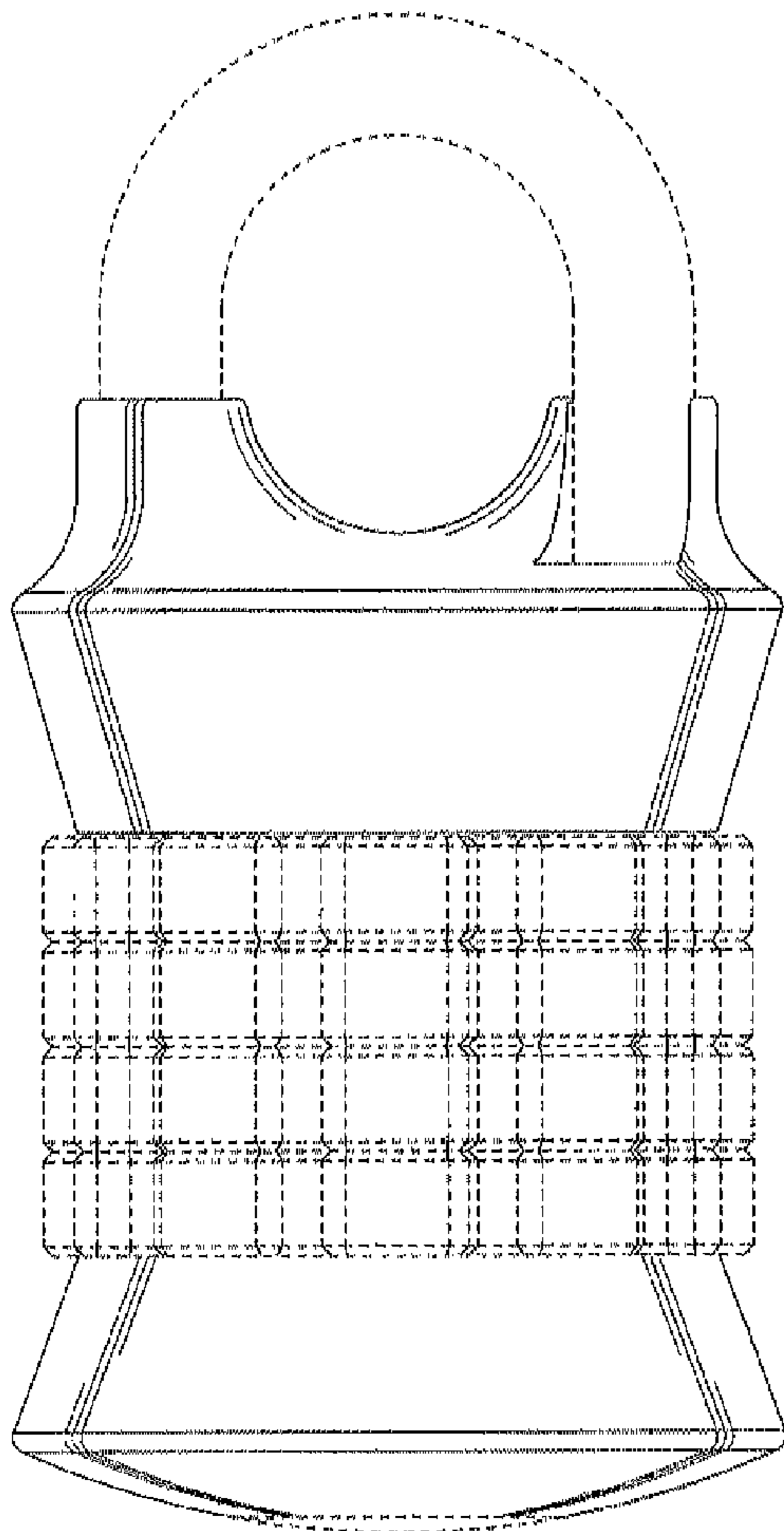


FIG. 5

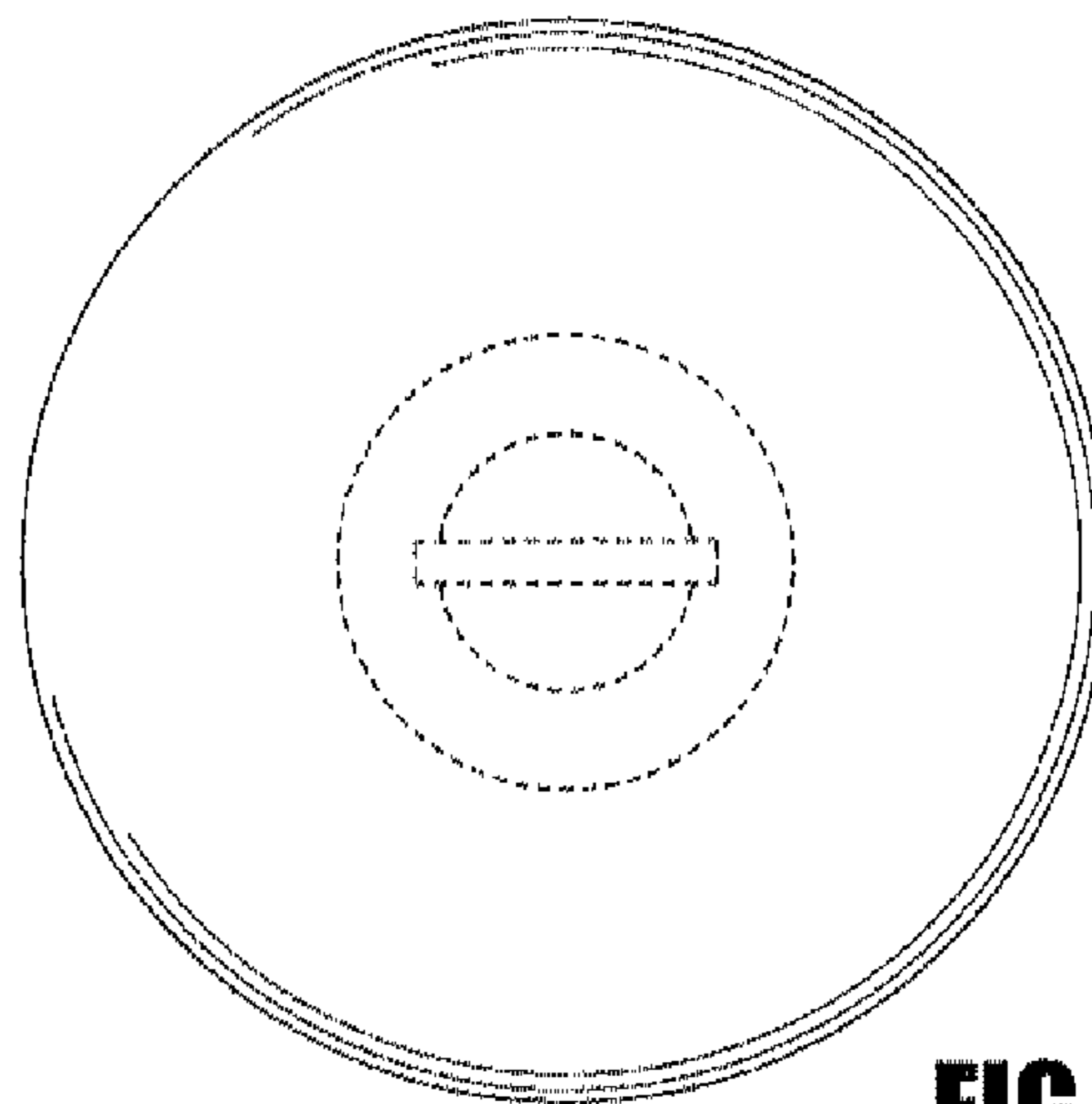


FIG. 6

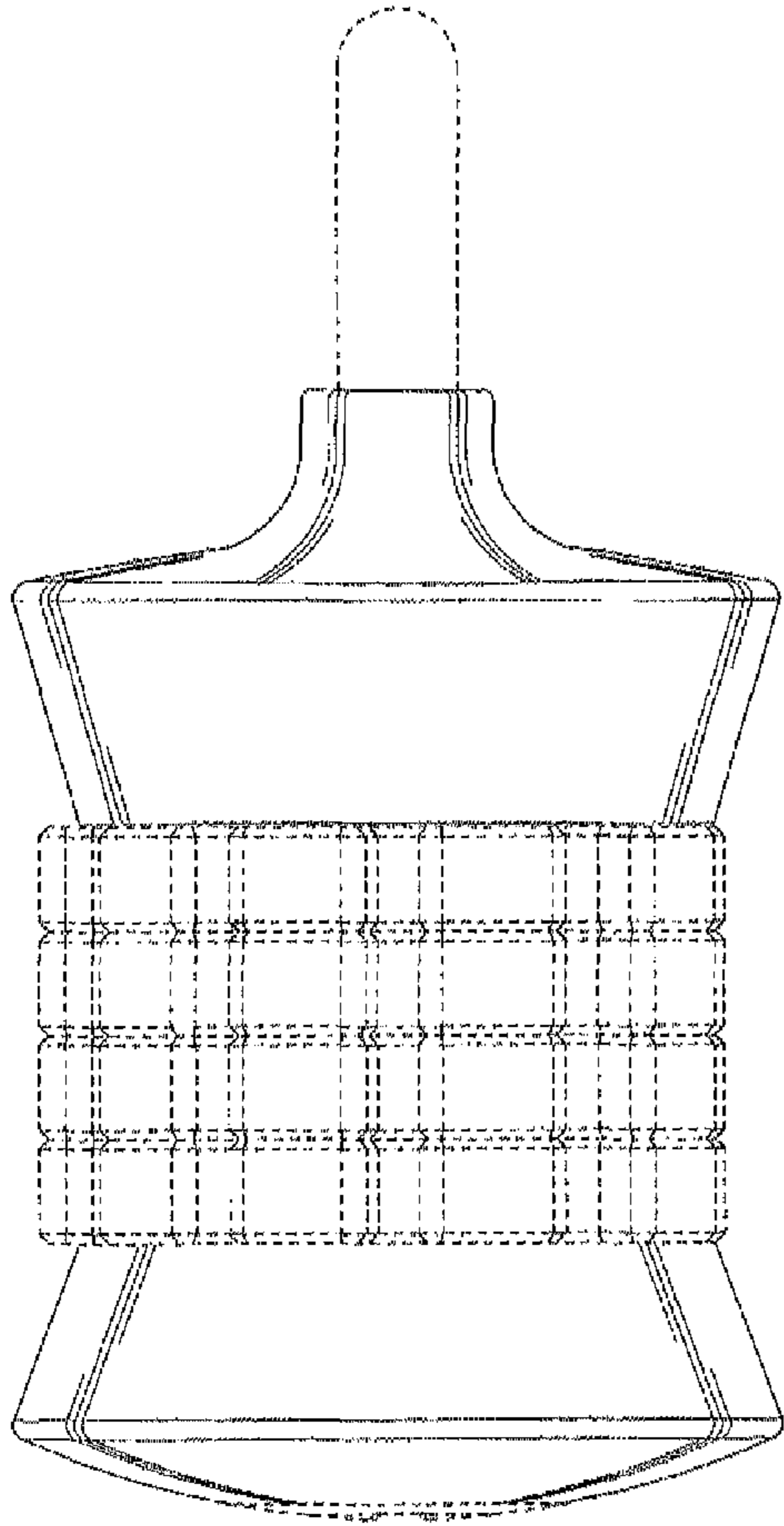


FIG. 7

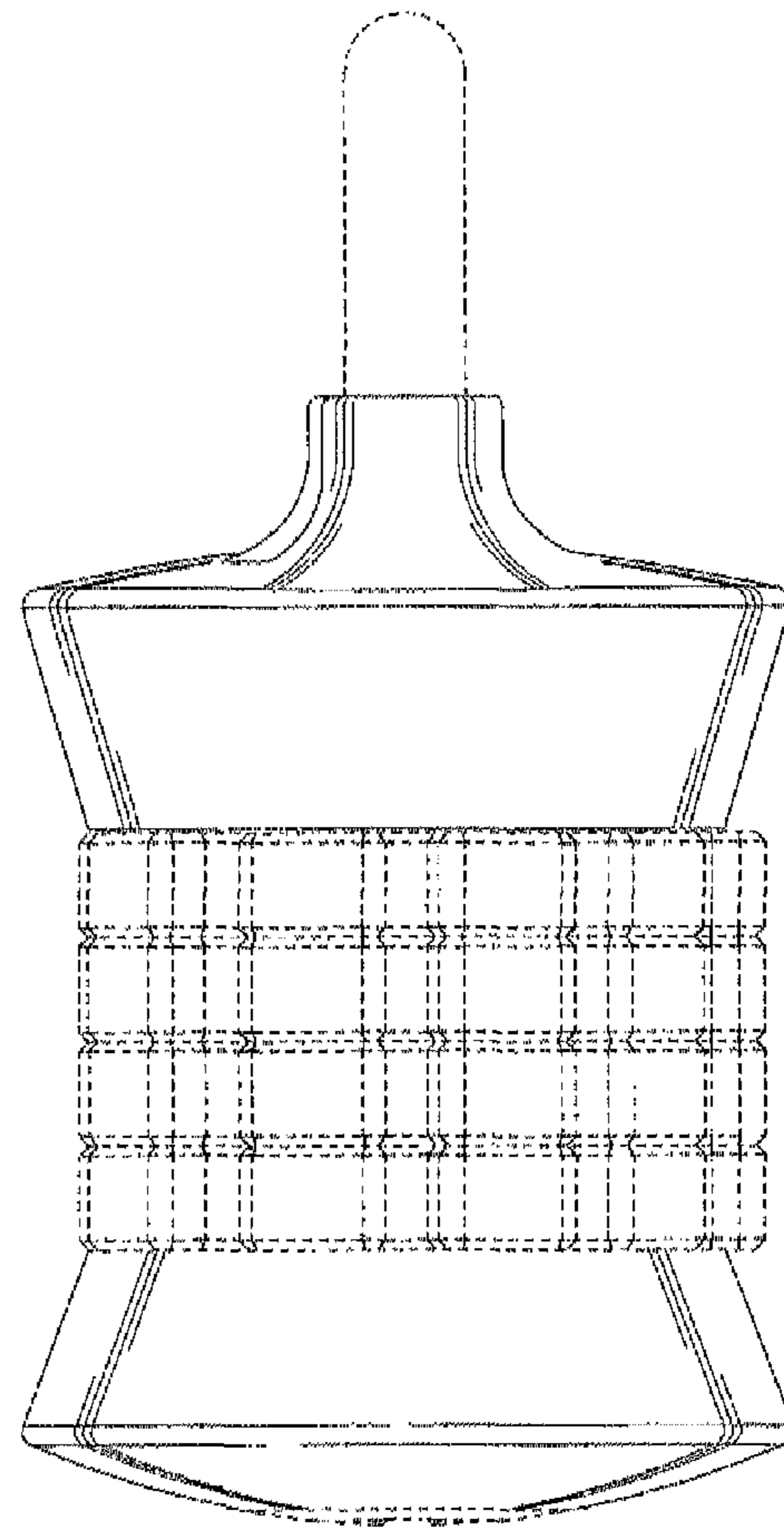


FIG. 8