



US00D671387S

(12) **United States Design Patent**
Demers et al.

(10) **Patent No.:** **US D671,387 S**

(45) **Date of Patent:** **** Nov. 27, 2012**

(54) **TOOL HOUSING**

(75) Inventors: **Brian Joseph Demers**, Huntersville, NC (US); **Joseph Allen Berlepsch**, Mooresville, NC (US)

(73) Assignee: **Lowe's Companies, Inc.**, Mooresville, NC (US)

(**) Term: **14 Years**

(21) Appl. No.: **29/397,374**

(22) Filed: **Jul. 14, 2011**

Related U.S. Application Data

(62) Division of application No. 29/357,512, filed on Mar. 12, 2010, now Pat. No. Des. 644,906, and a division of application No. 29/318,755, filed on May 27, 2008, now Pat. No. Des. 615,381, and a division of application No. 29/249,389, filed on Oct. 4, 2006, now Pat. No. Des. 572,558.

(51) **LOC (9) Cl.** **08-05**

(52) **U.S. Cl.** **D8/107**

(58) **Field of Classification Search** D8/20-29, D8/55, 61, 93, 98-100, 102-107, 300, 301, D8/303, 307, 310, 312, 319-320, 376-378, D8/400-499; D4/132-138; D7/393, 395, D7/401.1, 401.2, 649, 695; D22/104, 118, D22/207; D24/207; D6/524; D26/154; D9/443; 15/143.1, 159.1, 160, 168, 175, 15/194.1, 192; 81/177.1-177.9, 489, 3.2, 81/436, 439-440, 60-63.2, 477, 479, 52; 16/427, 422, 436, 110.1, 421, 430-431, 429, 16/441, 124.6, 414, 417, DIG. 12, DIG. 18, 16/DIG. 19; 73/862.23; 30/164.5, 151-162; 211/87.01; 428/28; D10/72; D23/225

See application file for complete search history.

(56) **References Cited**

U.S. PATENT DOCUMENTS

D41,494 S 6/1911 Seeley
D151,860 S 11/1948 Stoyer
D152,155 S 12/1948 Jacoff
D218,009 S 7/1970 Bosack
D233,507 S 11/1974 Stevens
D246,691 S 12/1977 Takahashi

(Continued)

FOREIGN PATENT DOCUMENTS

EM 000702089-000002 6/2007

(Continued)

Primary Examiner — Barbara Fox

(74) *Attorney, Agent, or Firm* — Moore & Van Allen, PLLC; W. Kevin Ransom

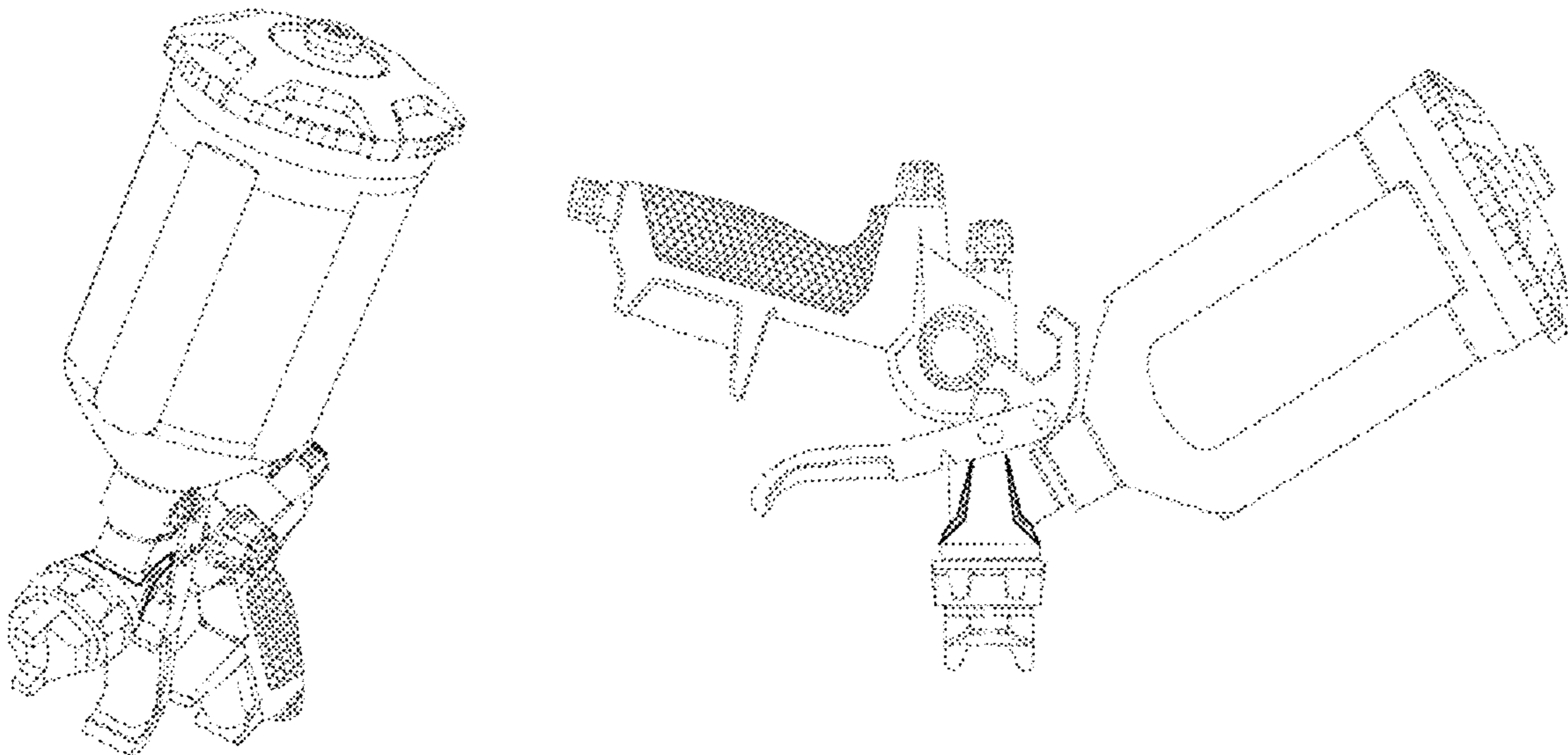
(57) **CLAIM**

The ornamental design for a tool housing, as shown and described.

DESCRIPTION

FIG. 1 is a perspective view of a tool housing according to the present invention;
FIG. 2 is an elevational view of the right side thereof;
FIG. 3 is a plan view of the top side thereof;
FIG. 4 is an elevational view of the front side thereof;
FIG. 5 is an elevational view of the rear side thereof;
FIG. 6 is a plan view of the bottom side thereof; and,
FIG. 7 is an elevational view of the left side thereof.
The broken lines shown in the drawings are for the purpose of illustrating unclaimed portions of the tool housing and form no part of the claimed design.

1 Claim, 7 Drawing Sheets



US D671,387 S

U.S. PATENT DOCUMENTS

D271,843 S 12/1983 Ferdinand et al.
 D282,236 S 1/1986 Shohoji et al.
 D288,769 S 3/1987 Doman
 D288,770 S 3/1987 Doman
 D301,967 S 7/1989 Sakamoto et al.
 D316,020 S 4/1991 Fushiya et al.
 D324,411 S 3/1992 Jolibois
 D325,506 S 4/1992 Michas et al.
 D328,559 S 8/1992 Wilson
 D329,590 S 9/1992 Chapman
 D365,742 S 1/1996 Decursu et al.
 5,528,834 A 6/1996 Seber et al.
 D387,734 S 12/1997 Hawkins et al.
 D389,394 S 1/1998 Taylor
 D398,507 S 9/1998 Thompson et al.
 D399,113 S 10/1998 Balolia
 D410,859 S 6/1999 Hioki
 D412,273 S 7/1999 Chung
 D416,179 S 11/1999 Staton et al.
 D418,731 S 1/2000 Rowlay et al.
 D422,481 S 4/2000 Bertani
 D424,401 S 5/2000 Ziemer
 D432,381 S 10/2000 Khachatoorian
 6,128,808 A 10/2000 Jansson et al.
 D433,344 S 11/2000 Hsu
 D434,298 S 11/2000 Izumisawa
 D440,848 S 4/2001 Izumisawa
 D441,269 S 5/2001 Tsai
 D441,671 S 5/2001 Hsu
 D442,053 S 5/2001 Jimenez
 D446,942 S 8/2001 Kim
 D449,546 S 10/2001 Lee
 6,363,579 B1 4/2002 King, Jr.
 D457,003 S 5/2002 Newman et al.
 D468,607 S 1/2003 Price et al.
 D471,784 S 3/2003 Garvis et al.
 D471,976 S 3/2003 Pavlu et al.
 D474,528 S 5/2003 Huang
 D475,269 S 6/2003 Matern
 D475,598 S 6/2003 Hung
 D478,292 S 8/2003 Hsu
 D482,203 S 11/2003 Goulet
 D482,259 S 11/2003 Chen
 D483,634 S 12/2003 Jansson et al.
 D486,050 S 2/2004 Rampen
 D486,716 S 2/2004 Levine et al.
 D487,875 S 3/2004 Wang
 D490,680 S 6/2004 Levine et al.
 D491,083 S 6/2004 Lin
 6,745,883 B2 6/2004 Eto et al.
 D492,559 S 7/2004 Itano
 D495,226 S 8/2004 Grant et al.
 D503,351 S 3/2005 Chen
 D507,195 S 7/2005 Kondo et al.
 D510,247 S 10/2005 White
 D515,389 S 2/2006 Hsu
 D517,888 S 3/2006 DeBoer et al.
 D517,889 S 3/2006 Hsieh

D519,017 S 4/2006 Hsieh
 D520,856 S 5/2006 Osiecki et al.
 D520,859 S 5/2006 Osiecki et al.
 7,051,626 B1 5/2006 Chen et al.
 D523,234 S 6/2006 DeBoer et al.
 D527,236 S 8/2006 Wu
 D528,910 S 9/2006 Kingsley
 D529,357 S 10/2006 Qiu
 D530,200 S 10/2006 Kingsley
 D533,455 S 12/2006 Leck et al.
 D536,908 S 2/2007 Eros
 D536,944 S 2/2007 Tsai et al.
 D537,308 S 2/2007 Wang
 D537,676 S 3/2007 Kingsley
 D537,697 S 3/2007 Jimenez
 D538,129 S 3/2007 Jansson
 D543,085 S 5/2007 Aglassinger
 D543,812 S 6/2007 Burry et al.
 D543,828 S 6/2007 Strutini-Belinoff et al.
 D544,770 S 6/2007 Yang
 D547,624 S 7/2007 Strahorn
 D550,058 S 9/2007 Aglassinger et al.
 D556,536 S 12/2007 Aglassinger et al.
 D560,127 S 1/2008 Elam
 D562,398 S 2/2008 Qiu et al.
 D568,715 S 5/2008 Gustafson et al.
 D571,679 S 6/2008 McEwan et al.
 D572,559 S 7/2008 Demers et al.
 D572,561 S 7/2008 Demers et al.
 D572,614 S 7/2008 McEwan et al.
 D576,853 S 9/2008 Aglassinger
 D578,852 S 10/2008 Enriquez
 D584,116 S 1/2009 Jackson
 D587,543 S * 3/2009 Kokawa et al. D8/61
 D587,977 S * 3/2009 Waldron D8/67
 D590,225 S 4/2009 Sell
 D591,570 S 5/2009 Lee et al.
 D597,811 S 8/2009 Yu
 2004/0246735 A1 12/2004 Huang
 2006/0090265 A1 5/2006 Fisher et al.

FOREIGN PATENT DOCUMENTS

JP	D1253453	10/2005
TW	144783	10/1990
TW	251211	7/1995
TW	309829	7/1997
TW	443904	6/1999
TW	390769	5/2000
TW	403527	8/2000
TW	433951	5/2001
TW	440312	6/2001
TW	440384	6/2001
TW	478775	3/2002
TW	539445	6/2003
TW	542548	7/2003
TW	D106099	8/2005
TW	D110289	4/2006

* cited by examiner

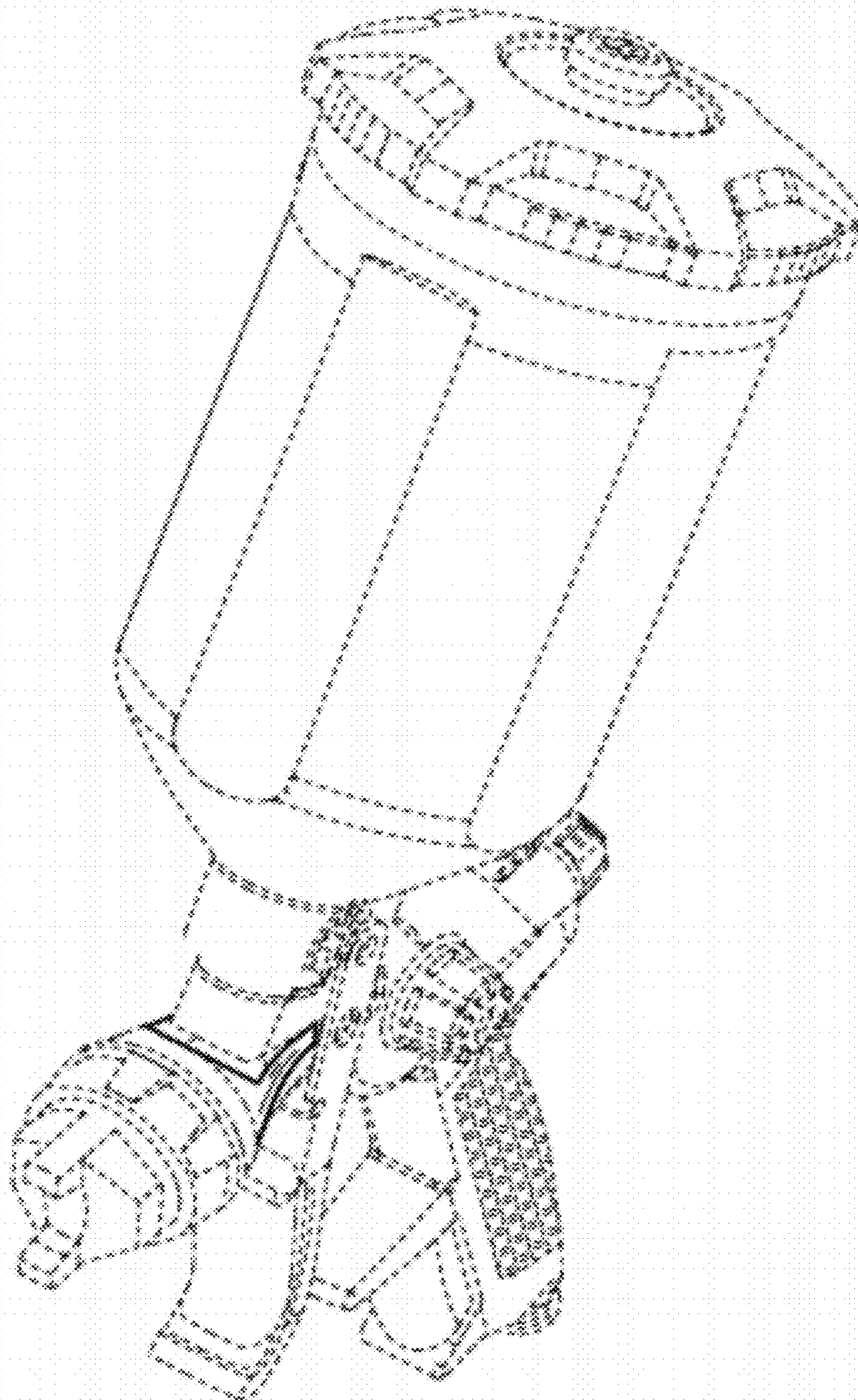


FIG. 1

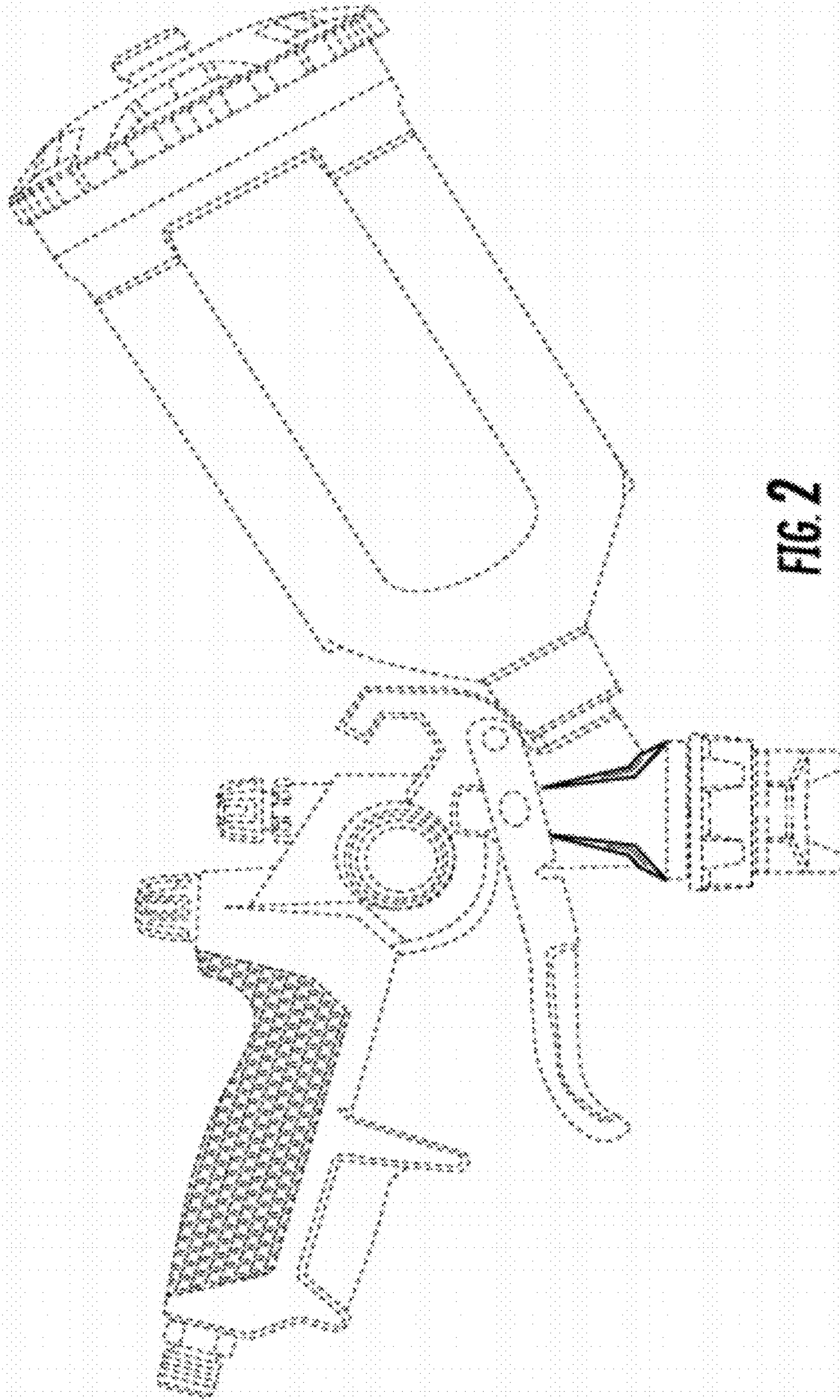


FIG. 2

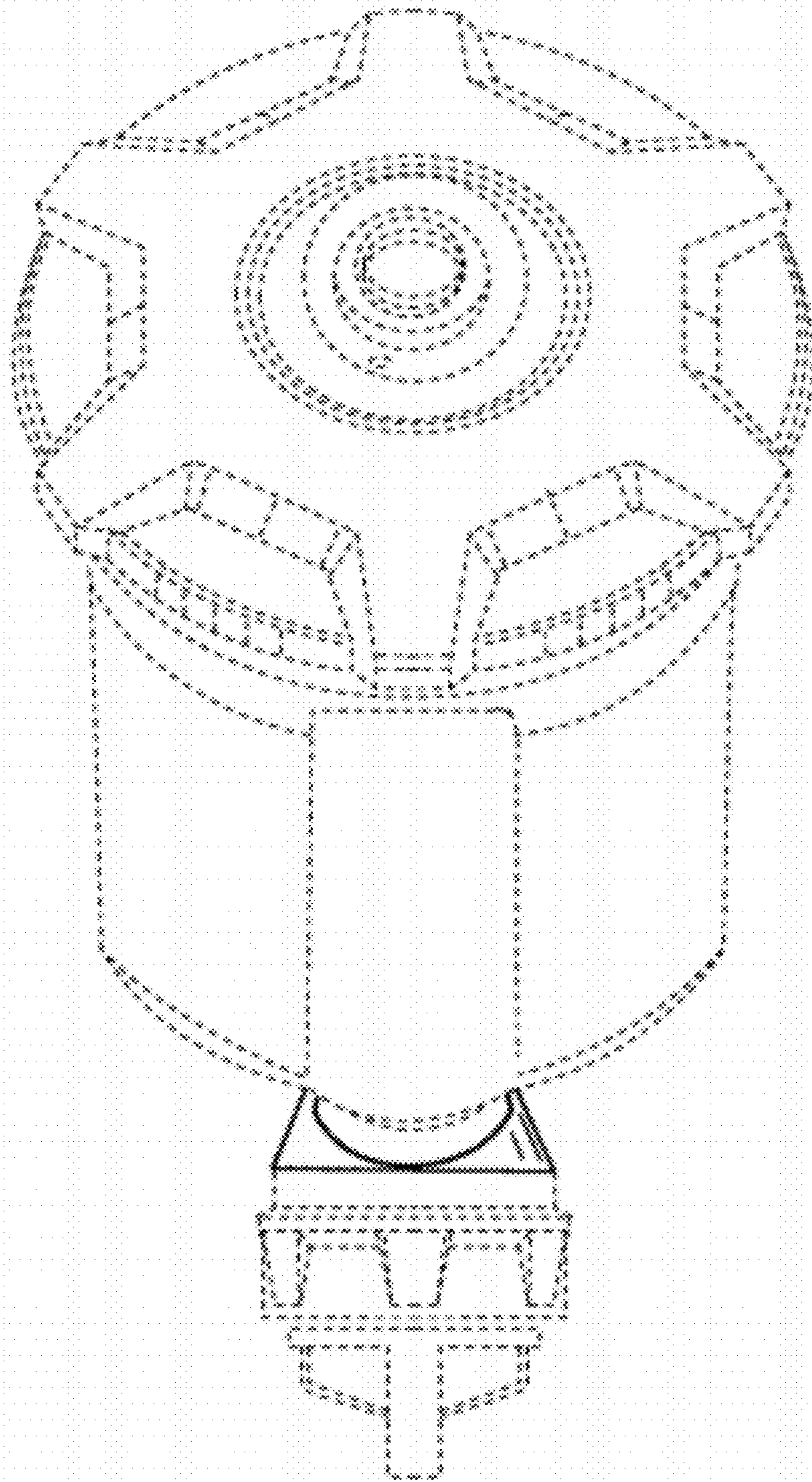


FIG. 3

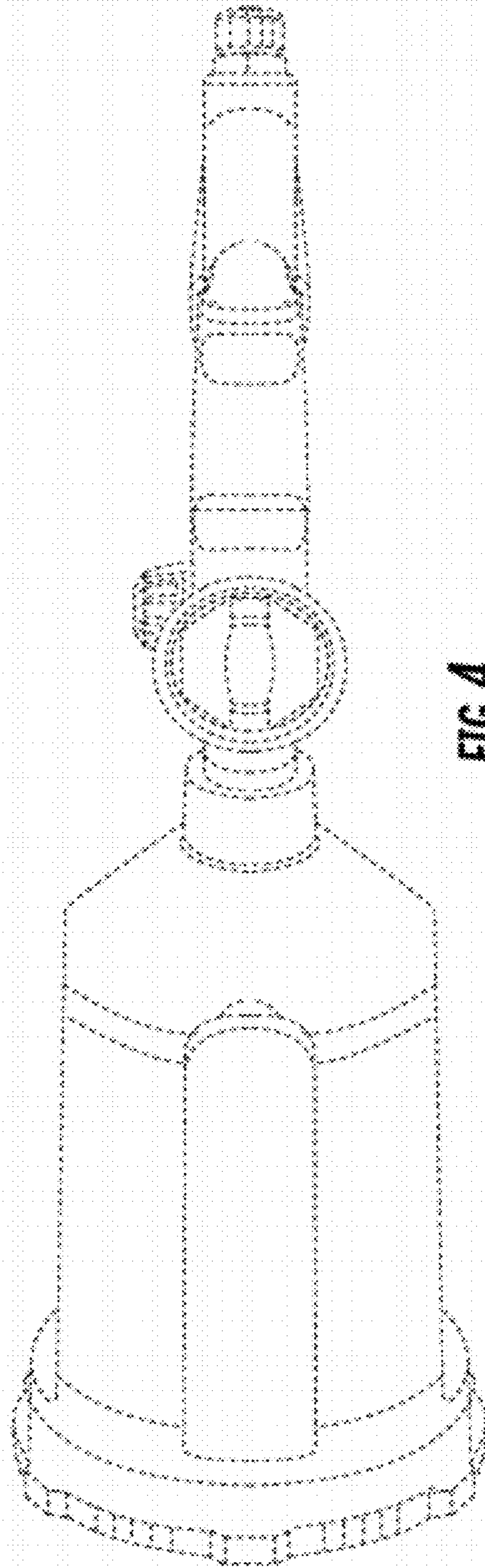


FIG. 4

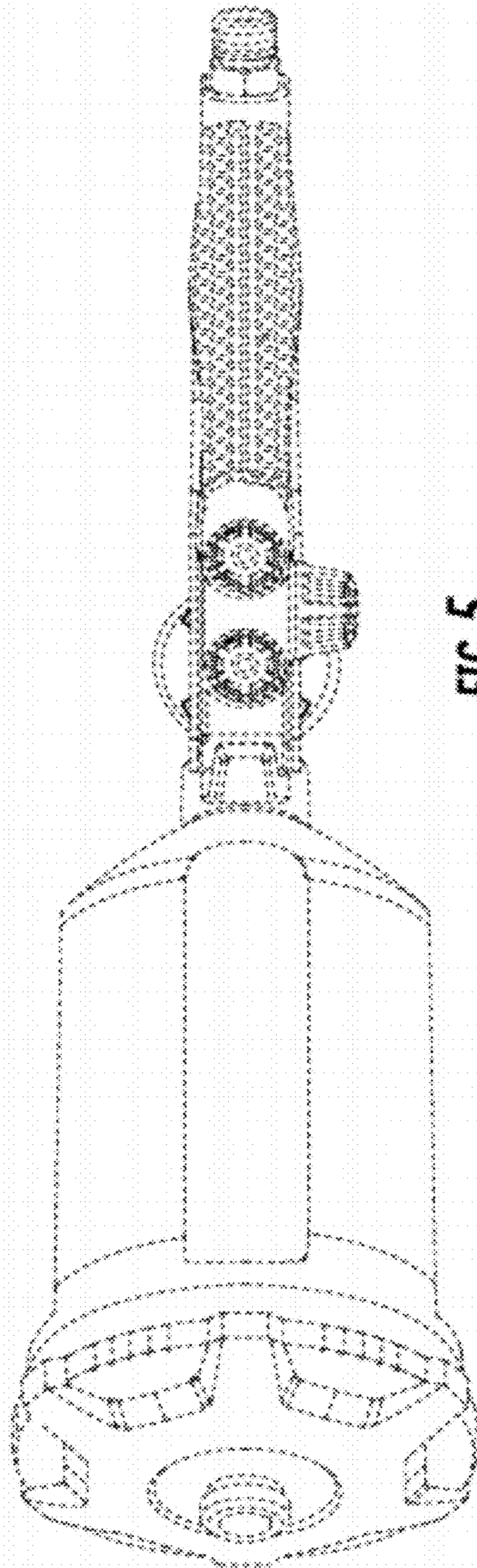


FIG. 5

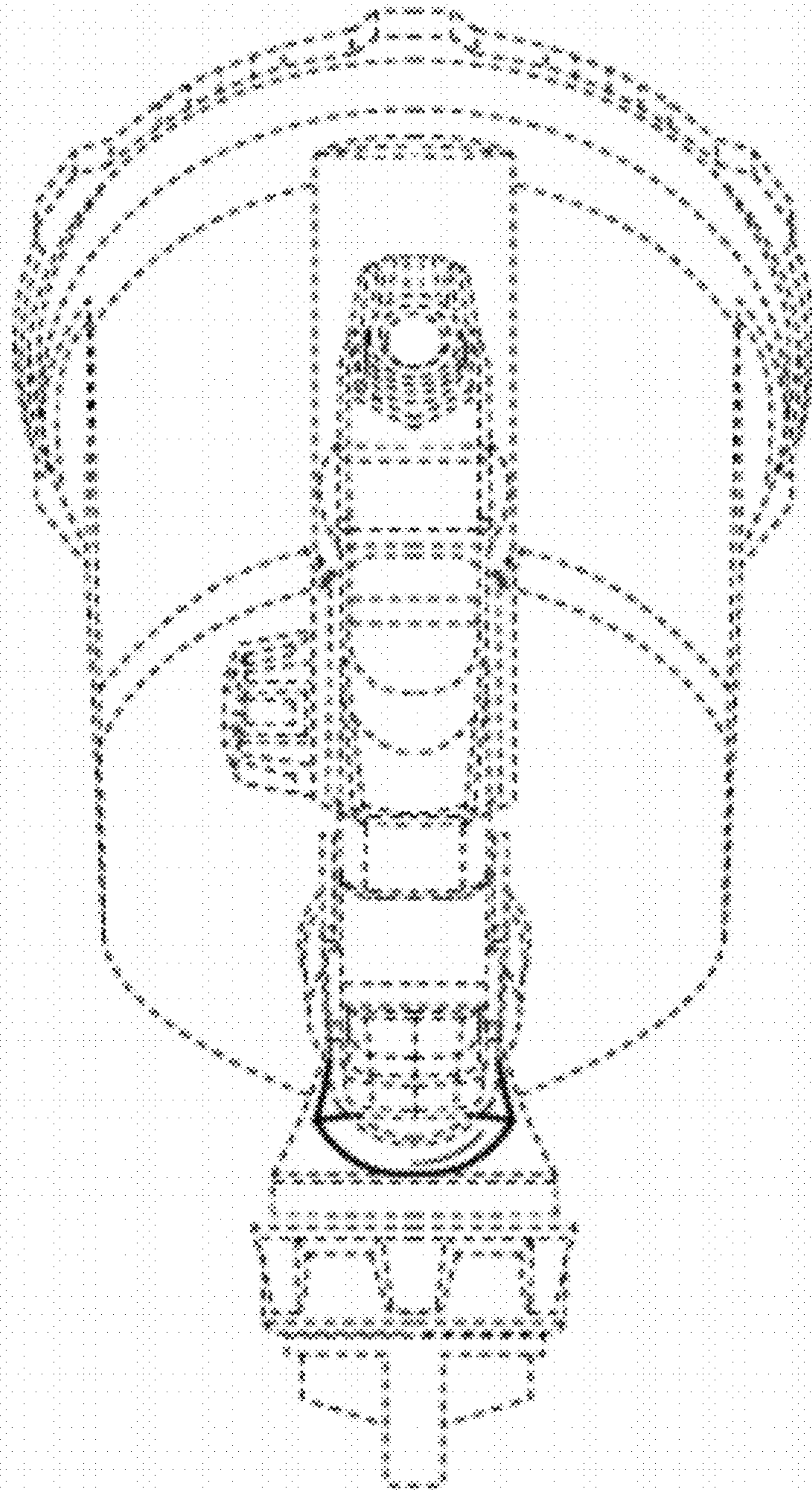


FIG. 6

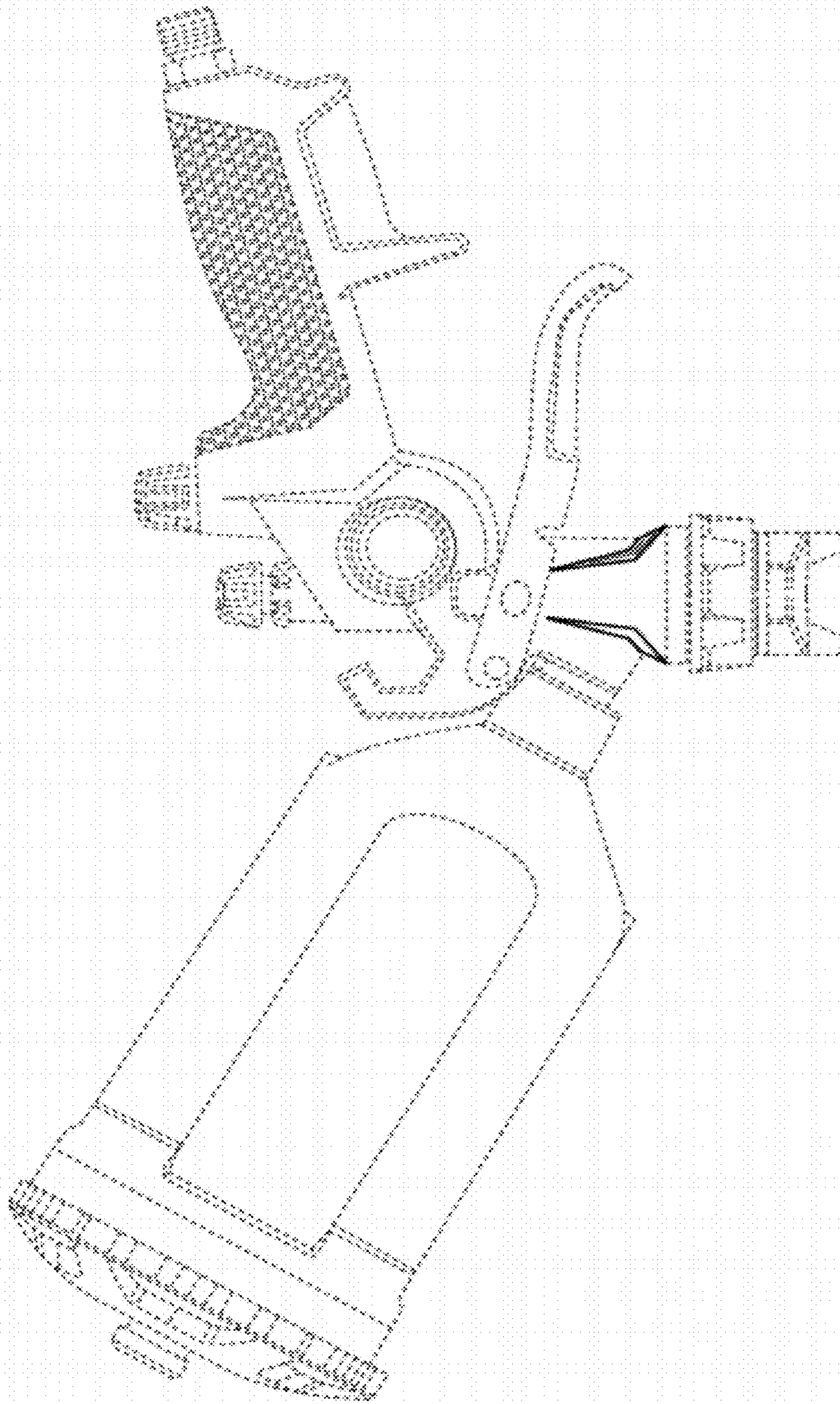


FIG. 7