



US00D671385S

(12) **United States Design Patent**
Yung-Kuan

(10) **Patent No.:** **US D671,385 S**

(45) **Date of Patent:** **** Nov. 27, 2012**

(54) **GLUE GUN**

(75) **Inventor:** **Huang Yung-Kuan**, Shuishang Township, Chiayi County (TW)

(73) **Assignee:** **Yeu Chyuan Industrial Co., Ltd.**, Chiayi County (TW)

(**) **Term:** **14 Years**

(21) **Appl. No.:** **29/414,812**

(22) **Filed:** **Mar. 5, 2012**

(51) **LOC (9) Cl.** **08-05**

(52) **U.S. Cl.** **D8/30**

(58) **Field of Classification Search** D8/14, D8/14.1, 29.1-29.2, 30, 51, 68; 219/227-230, 219/238, 241, 248, 497; 222/146.5

See application file for complete search history.

(56) **References Cited**

U.S. PATENT DOCUMENTS

D303,611 S *	9/1989	Spirk et al.	D8/14.1
D303,612 S *	9/1989	Knispel	D8/14.1
D343,921 S *	2/1994	Dimino	D28/13
D398,204 S *	9/1998	Lee	D8/14.1
D404,622 S *	1/1999	Singleton	D8/29.1
D412,432 S *	8/1999	Bokros	D8/30

D455,620 S *	4/2002	Lee	D8/14.1
D474,949 S *	5/2003	Schaffeld et al.	D8/14.1
D590,674 S *	4/2009	Belanger	D8/30
D627,035 S *	11/2010	Evar	D23/226

* cited by examiner

Primary Examiner — Philip S Hyder

Assistant Examiner — Roselynn Cody

(74) *Attorney, Agent, or Firm* — Alan Kamrath; Kamrath IP Lawfirm, PA

(57) **CLAIM**

The ornamental design for a glue gun, as shown and described.

DESCRIPTION

FIG. 1 is a perspective view of a glue gun showing my new design;

FIG. 2 is a front view thereof;

FIG. 3 is a rear view thereof;

FIG. 4 is a left side elevational view thereof;

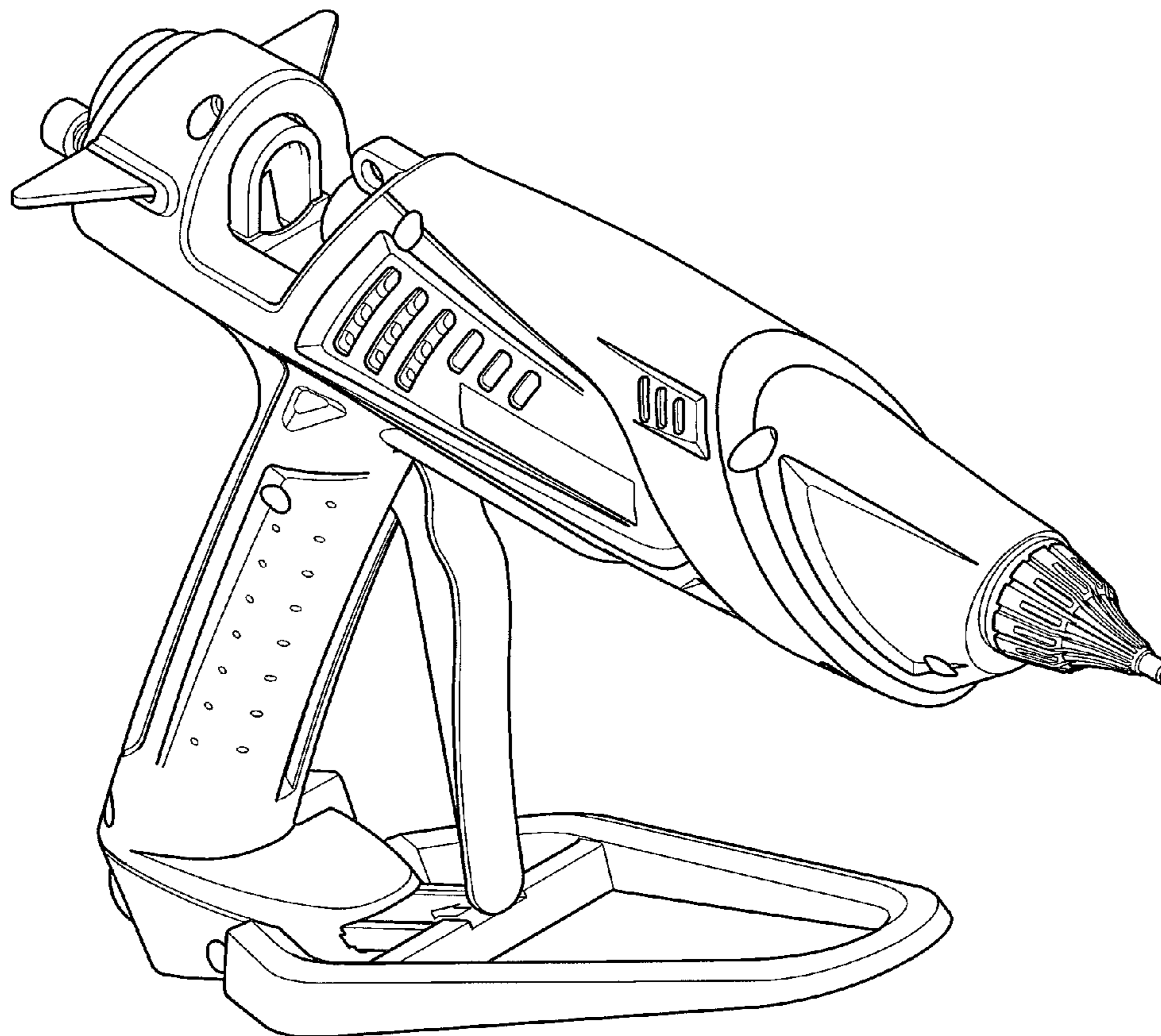
FIG. 5 is a right side elevational view thereof;

FIG. 6 is a top view thereof; and,

FIG. 7 is a bottom view thereof.

The broken lines in FIG. 3 illustrate features of the glue gun that form no part of the claim.

1 Claim, 5 Drawing Sheets



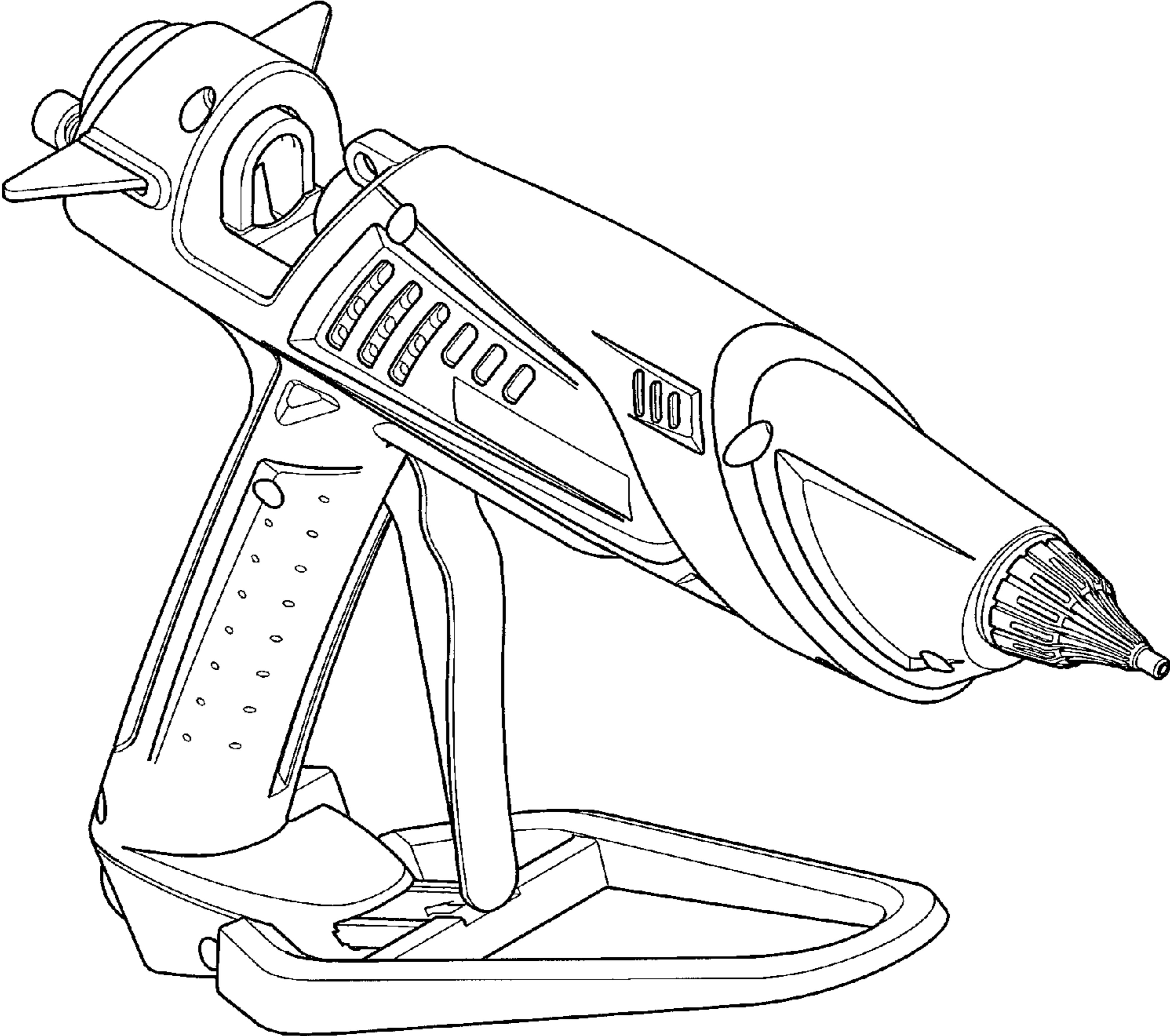


FIG. 1

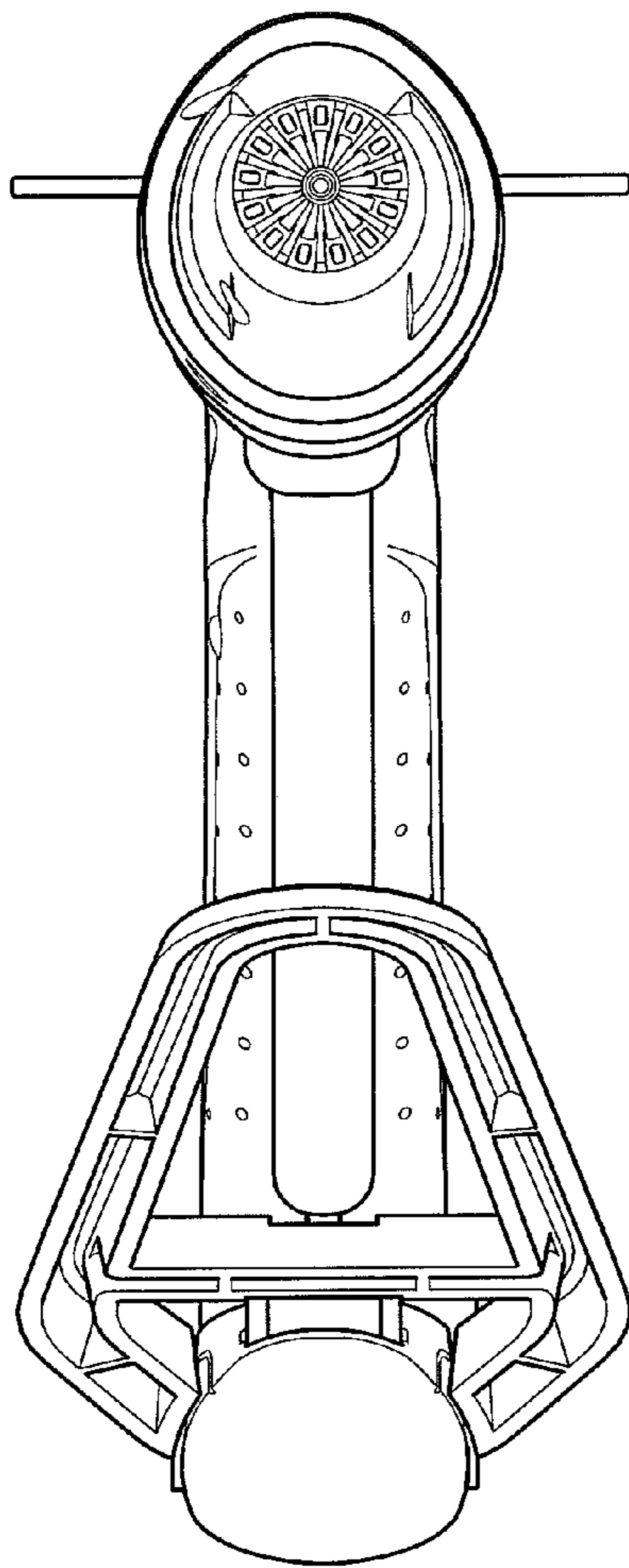


FIG. 2

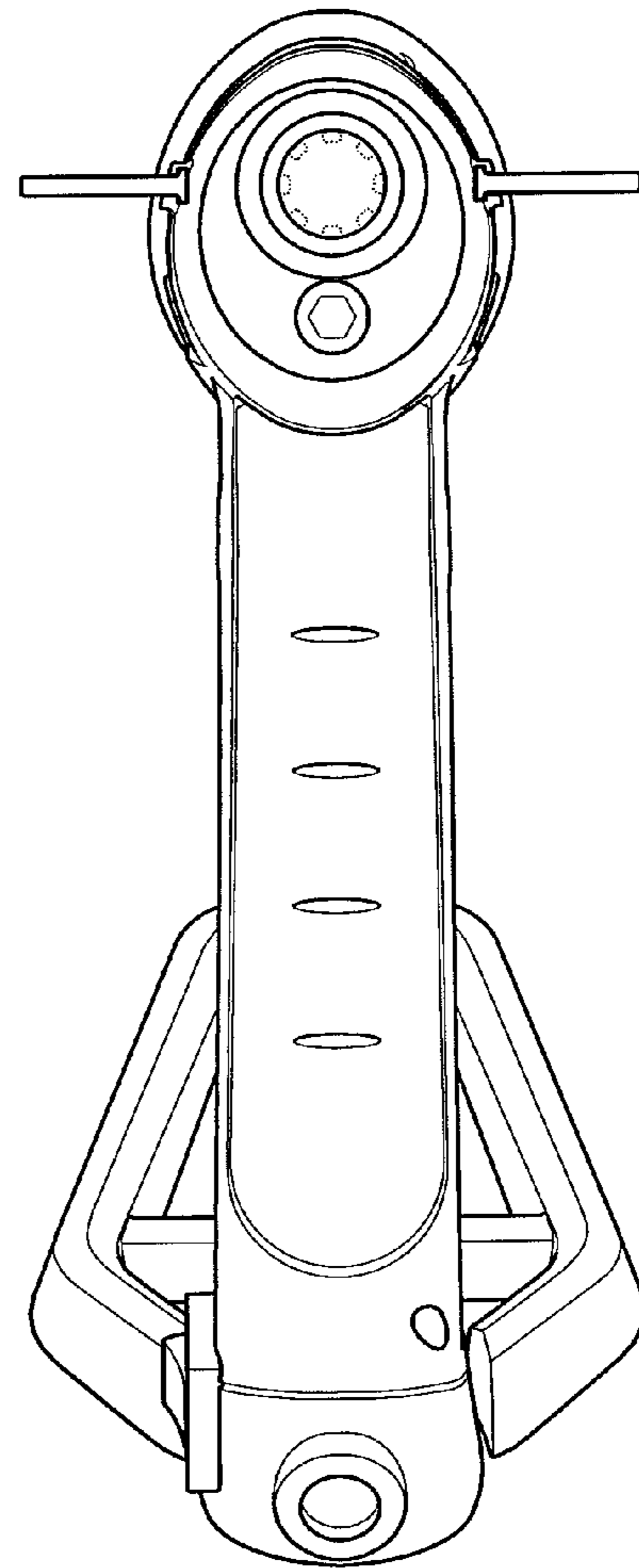


FIG. 3

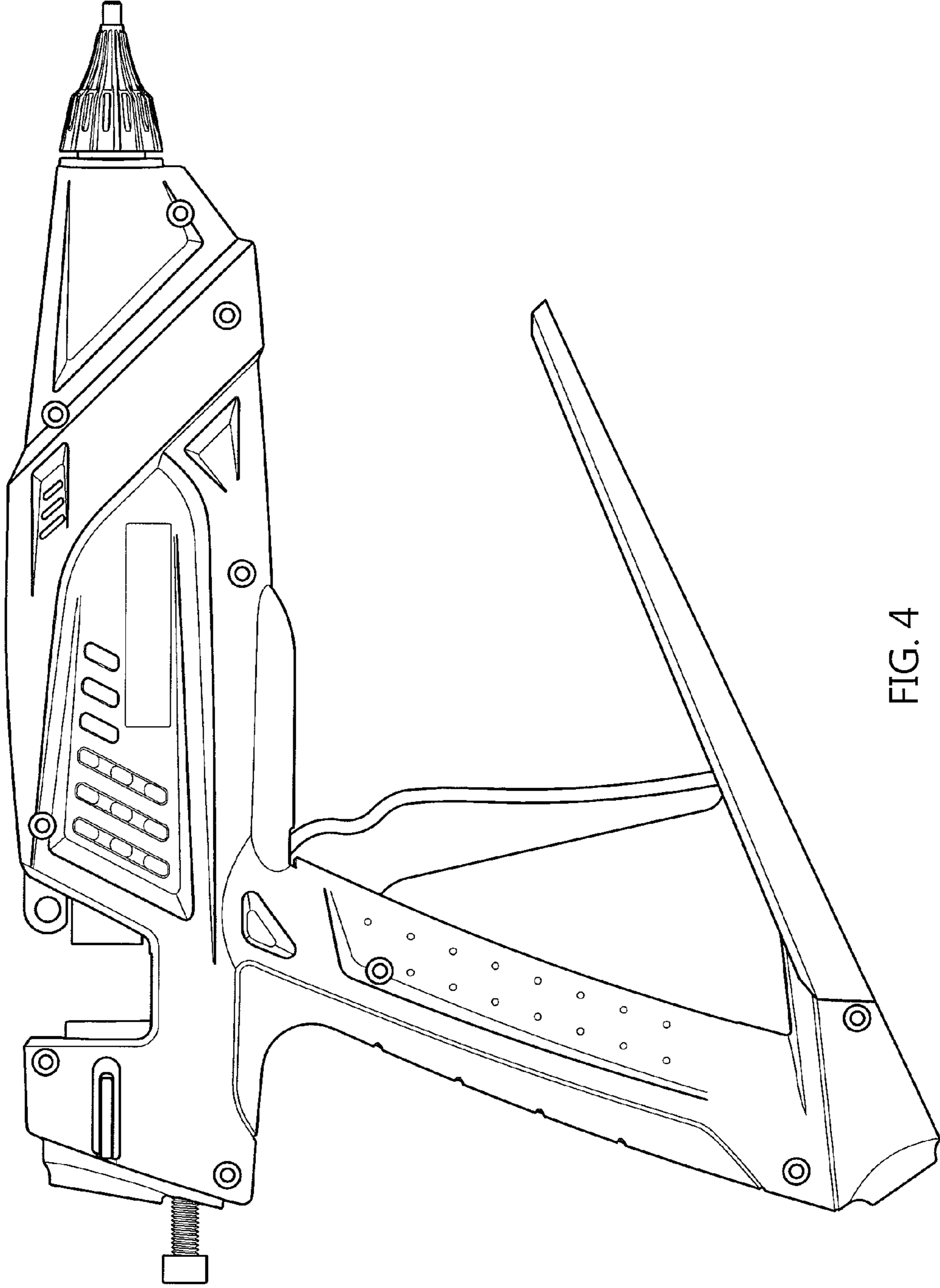


FIG. 4

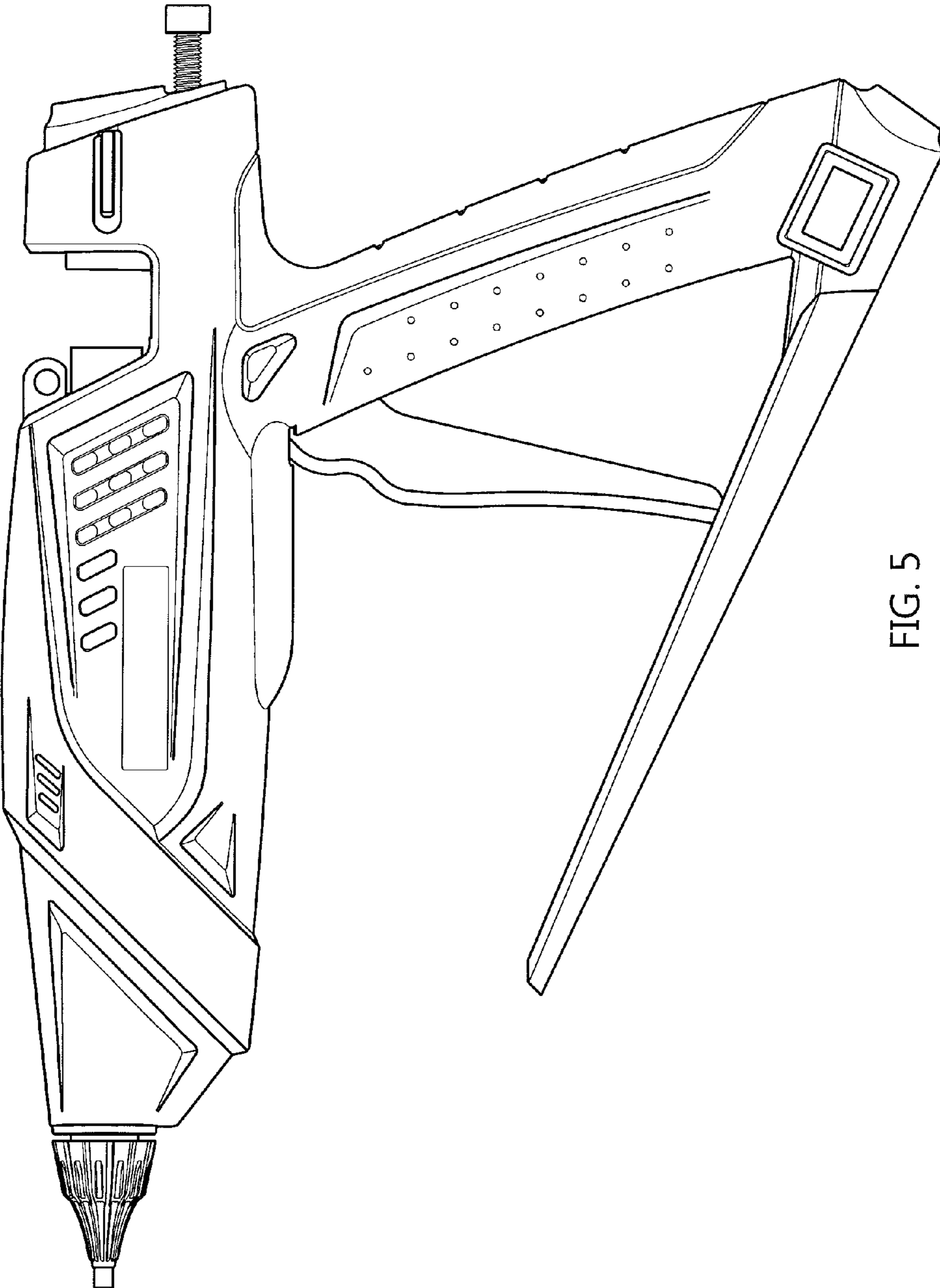


FIG. 5

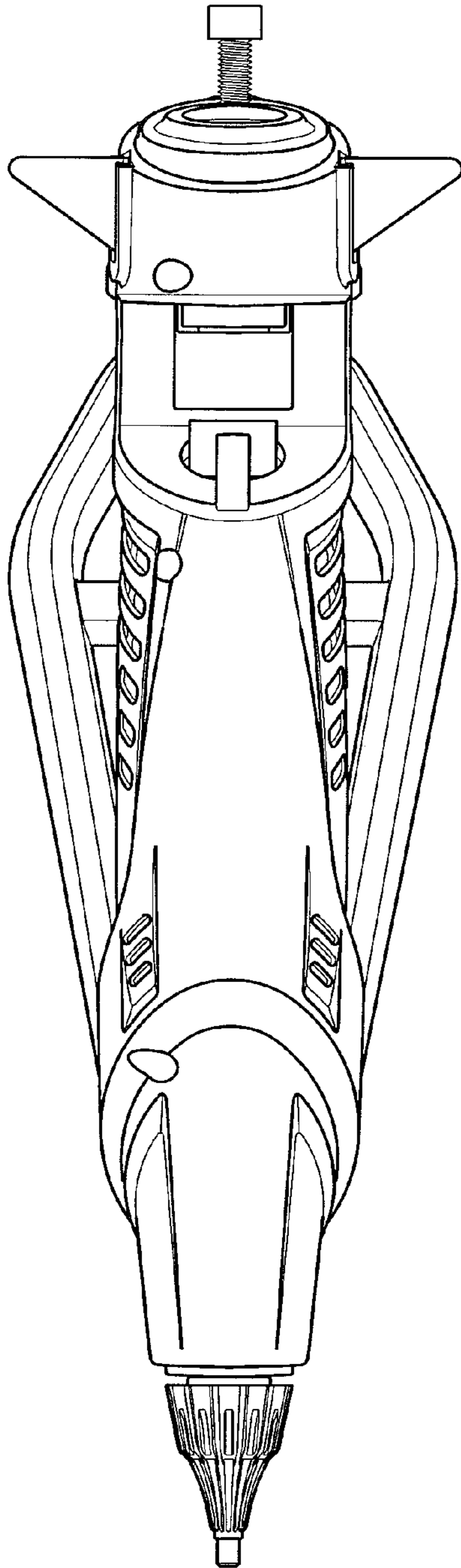


FIG. 6

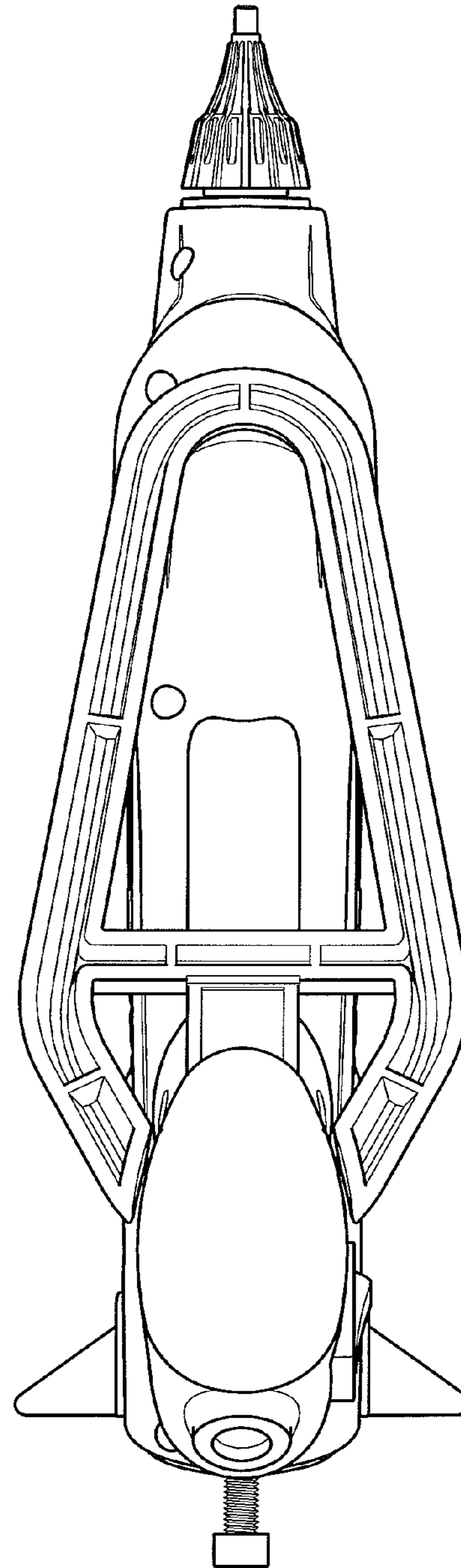


FIG. 7