

US00D671384S

(12) **United States Design Patent**
Lichstein

(10) **Patent No.:** **US D671,384 S**

(45) **Date of Patent:** **** Nov. 27, 2012**

(54) **TOOL ADAPTOR FOR A PLUG WITH A
NON-CIRCULAR CONSTANT DIAMETER
CROSS-SECTION**

(75) Inventor: **Paul Lichstein**, Hoboken, NJ (US)

(73) Assignee: **Carpathian Industries, LLC**, Hoboken,
NJ (US)

(**) Term: **14 Years**

(21) Appl. No.: **29/419,983**

(22) Filed: **May 3, 2012**

(51) **LOC (9) Cl.** **08-05**

(52) **U.S. Cl.** **D8/29**

(58) **Field of Classification Search** D8/21-29;
81/60, 177.1, 177.85, 121.1, 124.3, 165-170,
81/110.1, 176.2, 124.6, 176.1, 176.15, 177.2,
81/186, 125, 119, 180.1, 185.02; 16/110.1;
D15/144.1; 219/75, 227, 229, 121.16, 121.18;
220/228, 260

See application file for complete search history.

(56) **References Cited**

U.S. PATENT DOCUMENTS

| | | | | |
|-----------|-----|---------|-----------------|---------|
| 1,413,236 | A | 4/1922 | Owens | |
| 1,634,958 | A | 7/1927 | Noyes | |
| 1,838,285 | A | 3/1930 | Rieke | |
| D114,207 | S | 4/1939 | Corey | |
| 2,398,553 | A * | 4/1946 | Nyden | 215/334 |
| 3,124,267 | A * | 3/1964 | Cetrone | 220/288 |
| 3,167,210 | A | 1/1965 | Carney, Jr. | |
| 3,195,762 | A | 7/1965 | Senoff | |
| 3,905,091 | A | 9/1975 | La Rocque | |
| 3,912,116 | A | 10/1975 | Chahley | |
| 3,935,877 | A | 2/1976 | Franceschi | |
| 4,088,239 | A | 5/1978 | Uhlig | |
| 4,105,135 | A | 8/1978 | Bradshaw et al. | |

| | | | | |
|-----------|-----|--------|------------------|---------|
| 4,135,639 | A * | 1/1979 | Dillon et al. | 220/288 |
| 4,164,304 | A * | 8/1979 | Roberson | 220/214 |
| 4,252,249 | A | 2/1981 | Beckhardt et al. | |
| 4,393,900 | A | 7/1983 | Gajajiva et al. | |
| 4,588,103 | A * | 5/1986 | Baughman | 220/288 |
| 4,643,825 | A | 2/1987 | Weslowski | |
| D319,134 | S | 8/1991 | Pryztulla | |
| D405,931 | S | 2/1999 | Palmer | |
| D539,005 | S | 3/2007 | Baughman | |
| D567,081 | S | 4/2008 | Baughman et al. | |

(Continued)

Primary Examiner — Raphael Barkai

Assistant Examiner — Randall Gholson

(74) *Attorney, Agent, or Firm* — Woodard, Emhardt,
Moriarty, McNett & Henry LLP

(57) **CLAIM**

The ornamental design for a tool adaptor for a plug with a non-circular constant diameter cross-section, as shown and described.

DESCRIPTION

FIG. 1 is a front perspective view of the tool adaptor.

FIG. 2 is an alternate front perspective view of the tool adaptor.

FIG. 3 is a rear perspective view of the tool adaptor.

FIG. 4 is an alternate rear perspective view of the tool adaptor.

FIG. 5 is a left view of the tool adaptor.

FIG. 6 is a right view of the tool adaptor.

FIG. 7 is a front view of the tool adaptor.

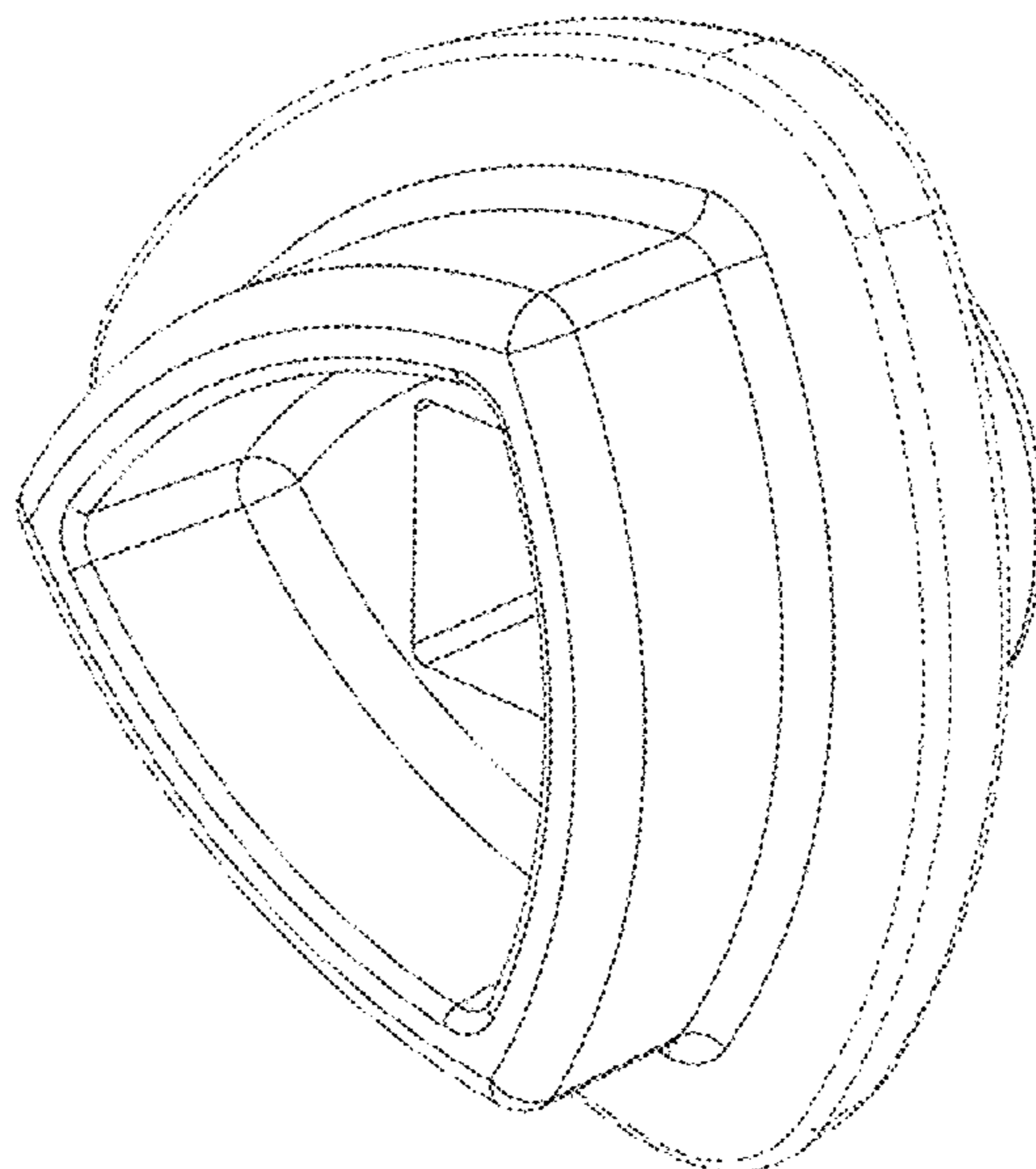
FIG. 8 is a rear view of the tool adaptor.

FIG. 9 is a top view of the tool adaptor; and,

FIG. 10 is bottom view of the tool adaptor.

The dotted line drawing portions are for illustrative purposes only and form no part of the claimed design.

1 Claim, 10 Drawing Sheets



US D671,384 S

Page 2

U.S. PATENT DOCUMENTS

| | | | | | | | |
|-----------|------|--------|-------------------|-------|---------|--------------|-------------------------------------|
| D568,025 | S | 4/2008 | Schutz | | | | |
| 7,520,403 | B2 * | 4/2009 | Baughman | | 220/601 | | |
| 7,546,857 | B2 * | 6/2009 | Chadbourne et al. | | 141/354 | | |
| 7,690,526 | B1 | 4/2010 | Hoff | | | | |
| D638,194 | S | 5/2011 | Lichstein | | | | |
| | | | | | | 2002/0079319 | A1 6/2002 Krieger et al. |
| | | | | | | 2002/0179157 | A1 * 12/2002 Rokkjaer 137/588 |
| | | | | | | 2005/0194398 | A1 9/2005 Leyendecker et al. |
| | | | | | | 2007/0102431 | A1 * 5/2007 Green 220/284 |
| | | | | | | 2009/0200259 | A1 8/2009 Baughman |

* cited by examiner

FIGURE 1

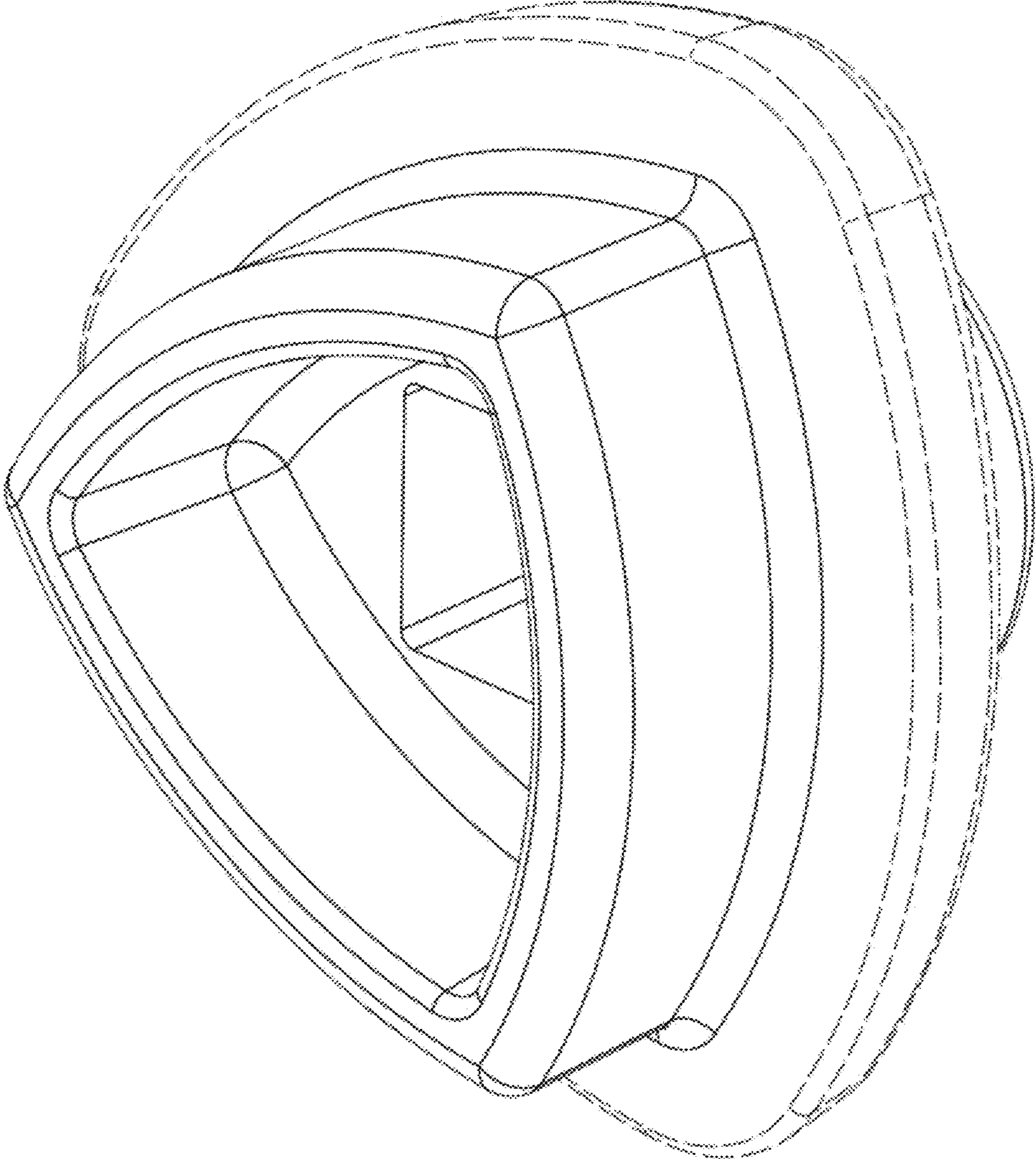


FIGURE 2

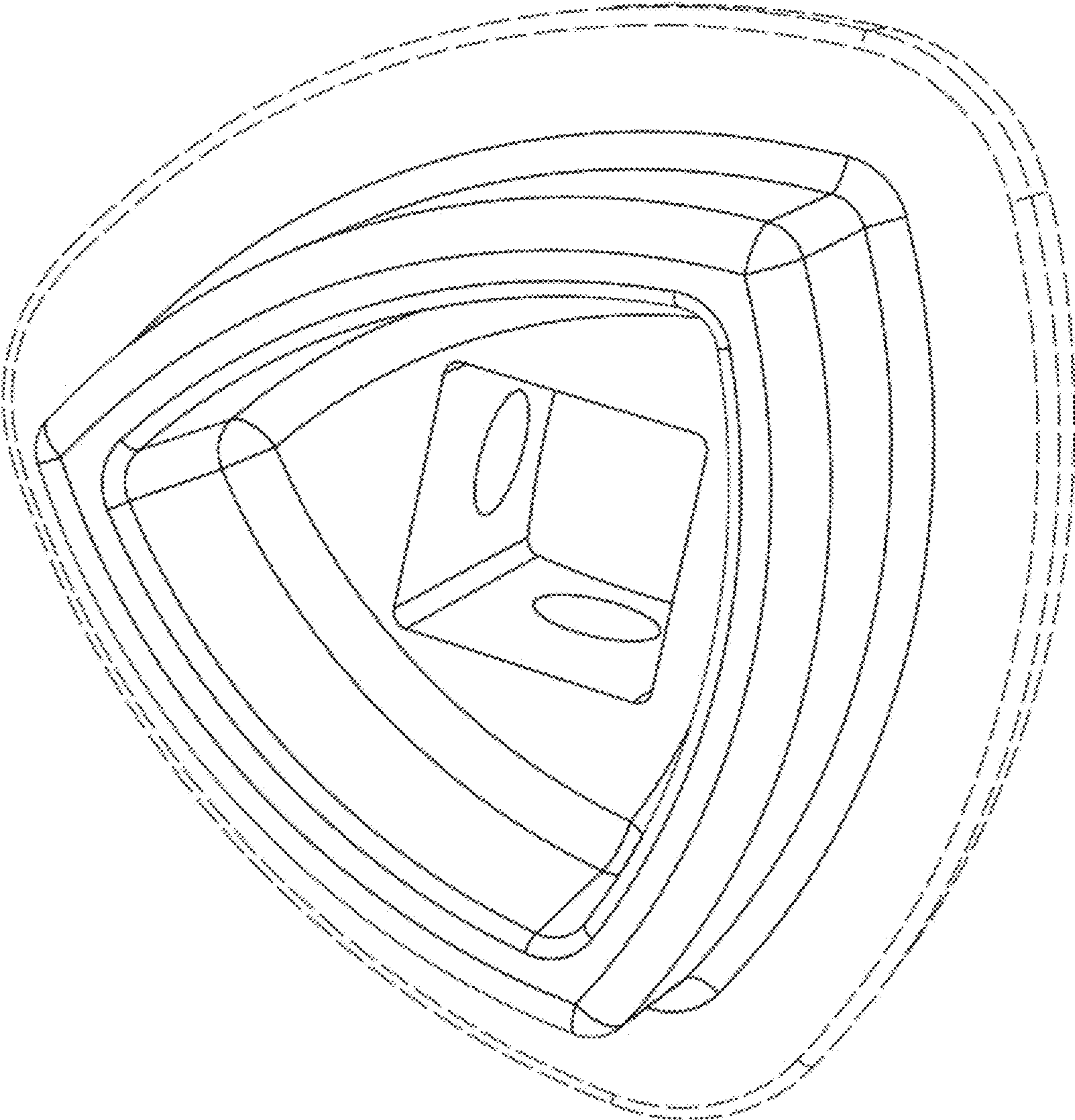


FIGURE 3

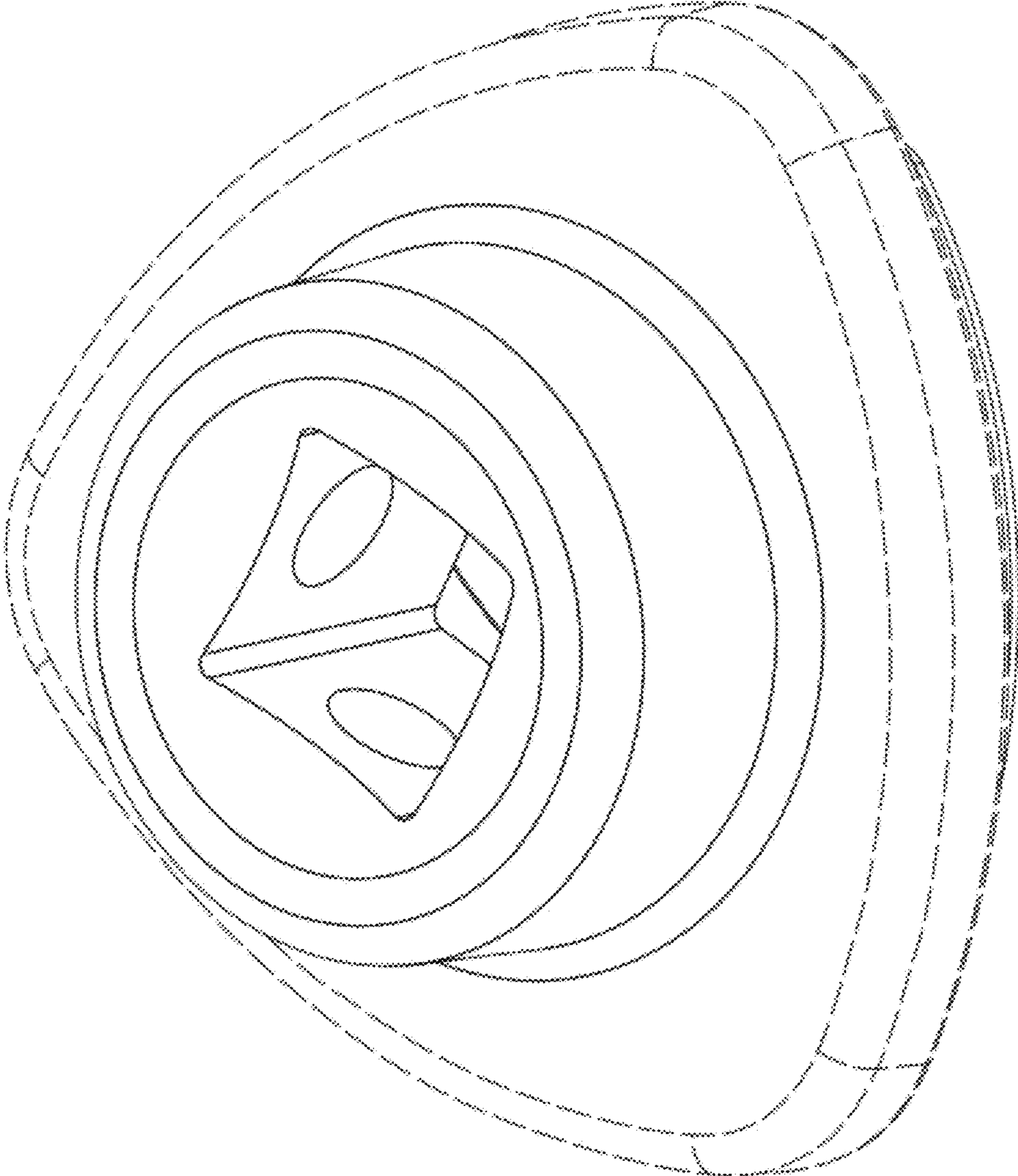


FIGURE 4

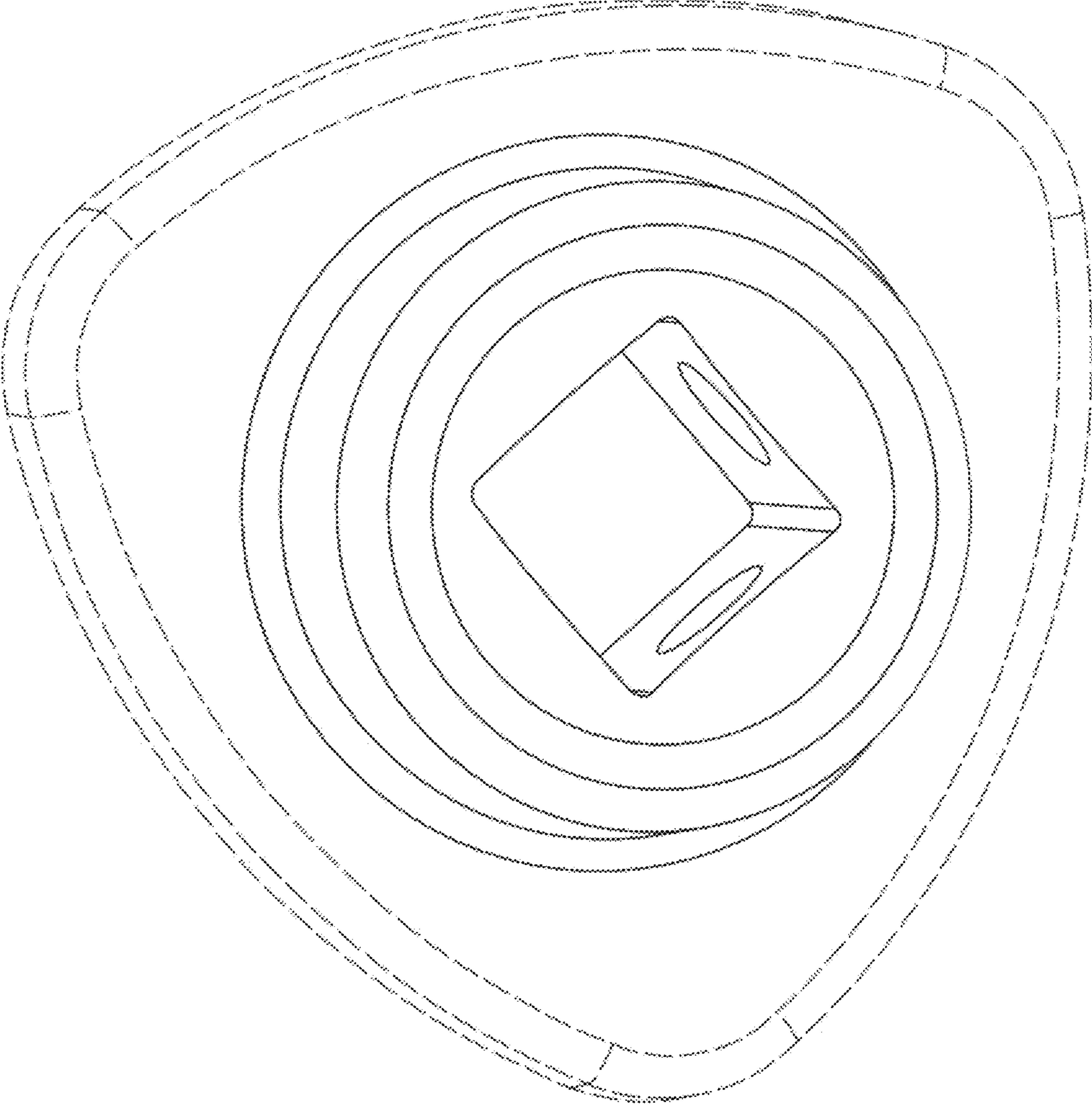


FIGURE 5

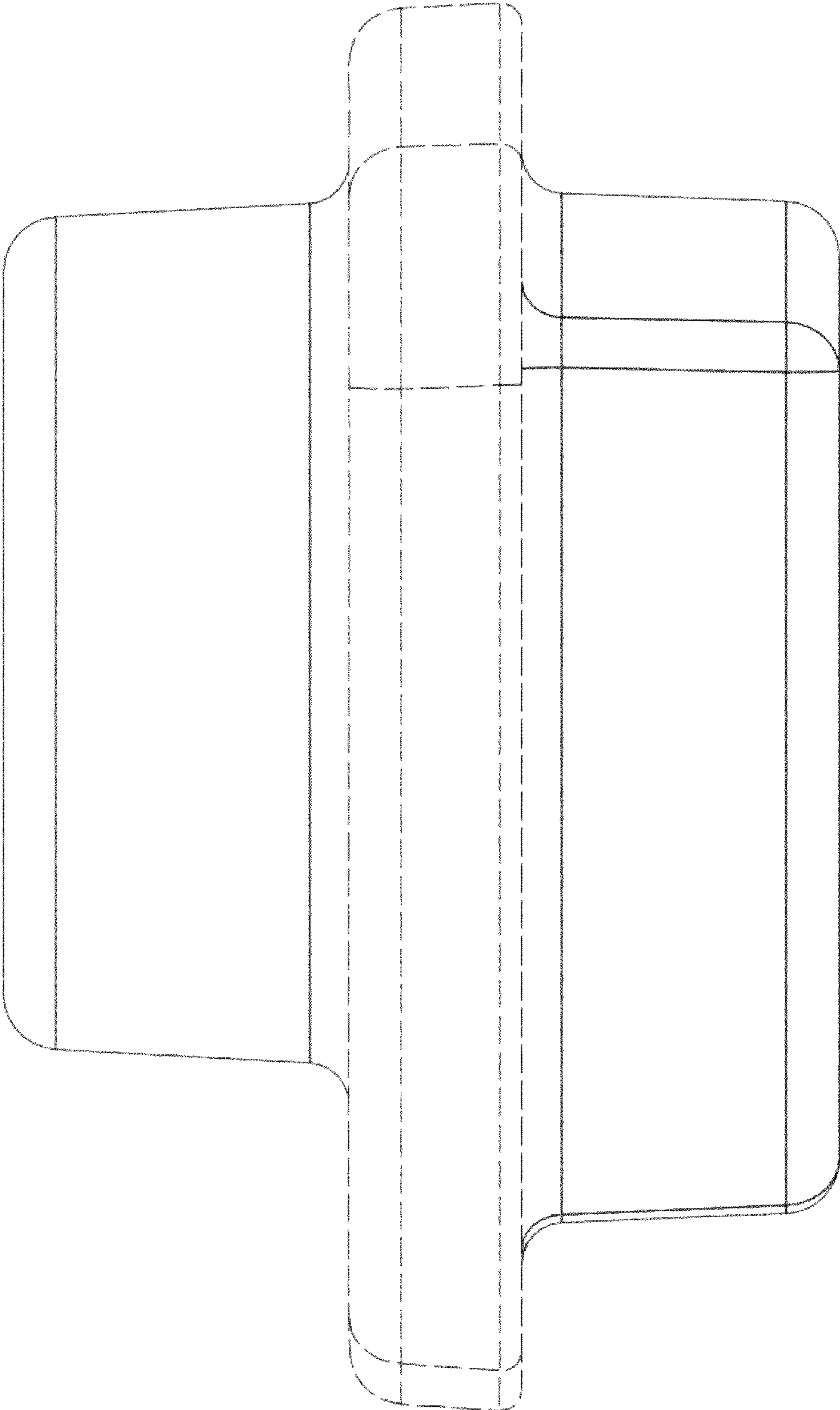


FIGURE 6

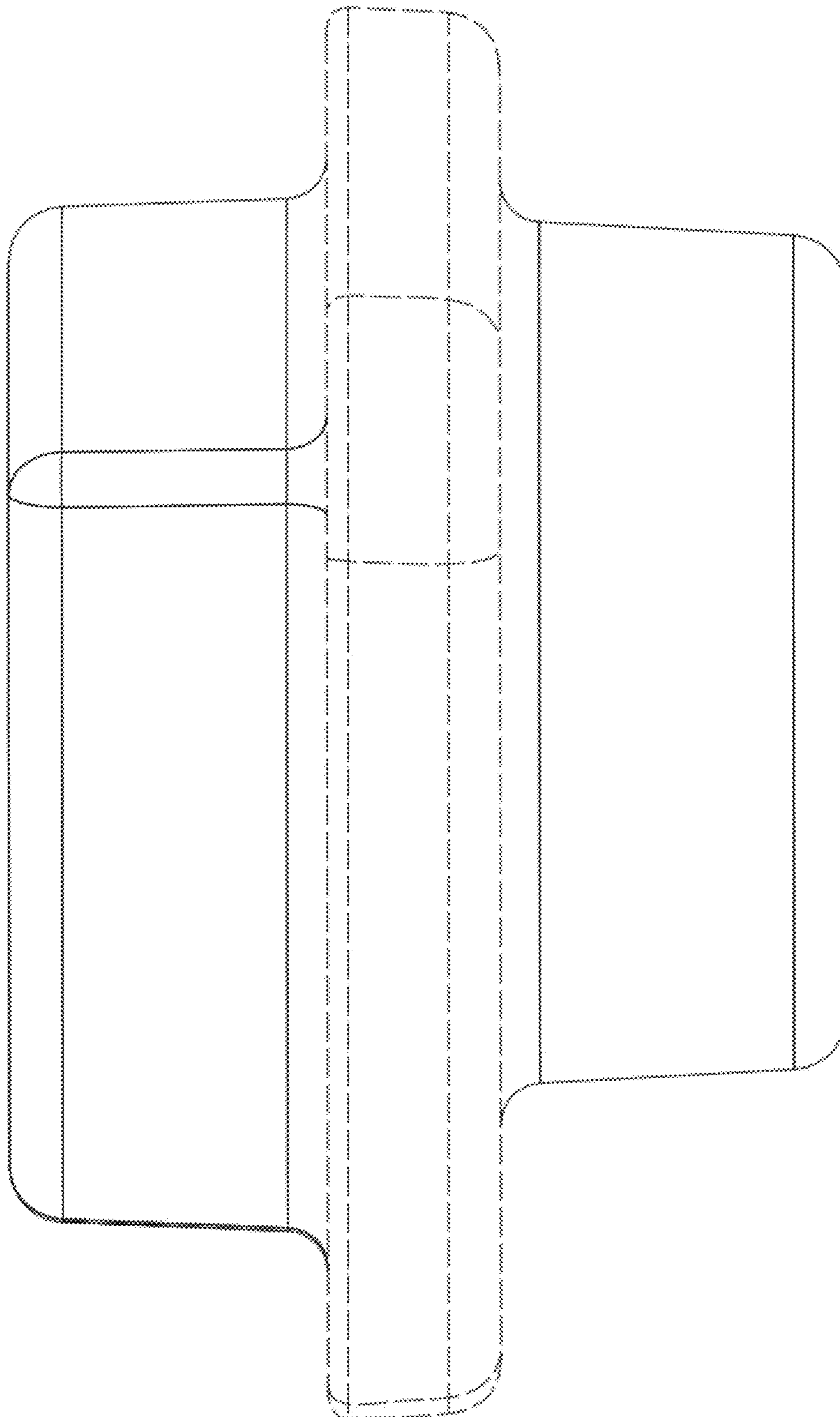


FIGURE 7

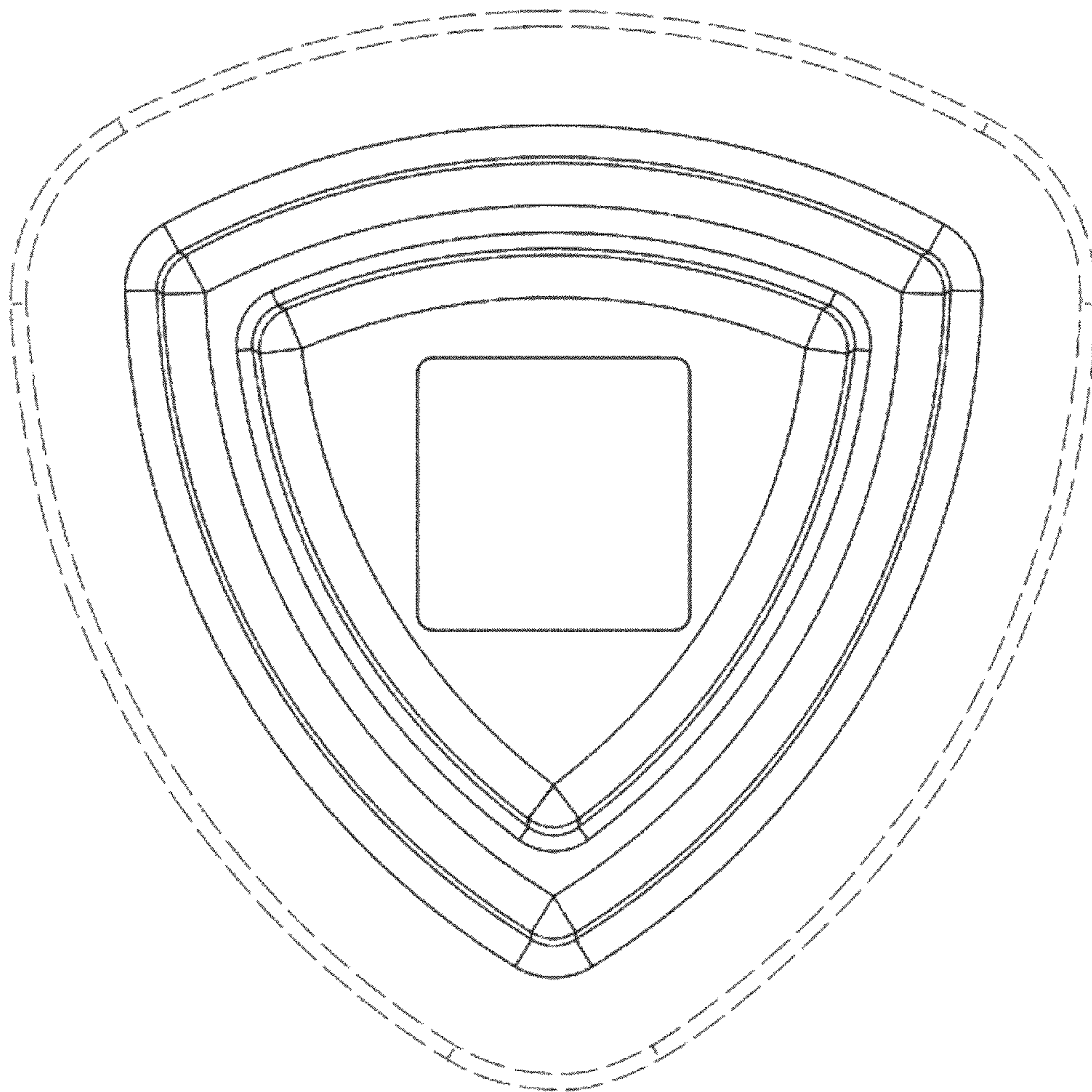


FIGURE 8

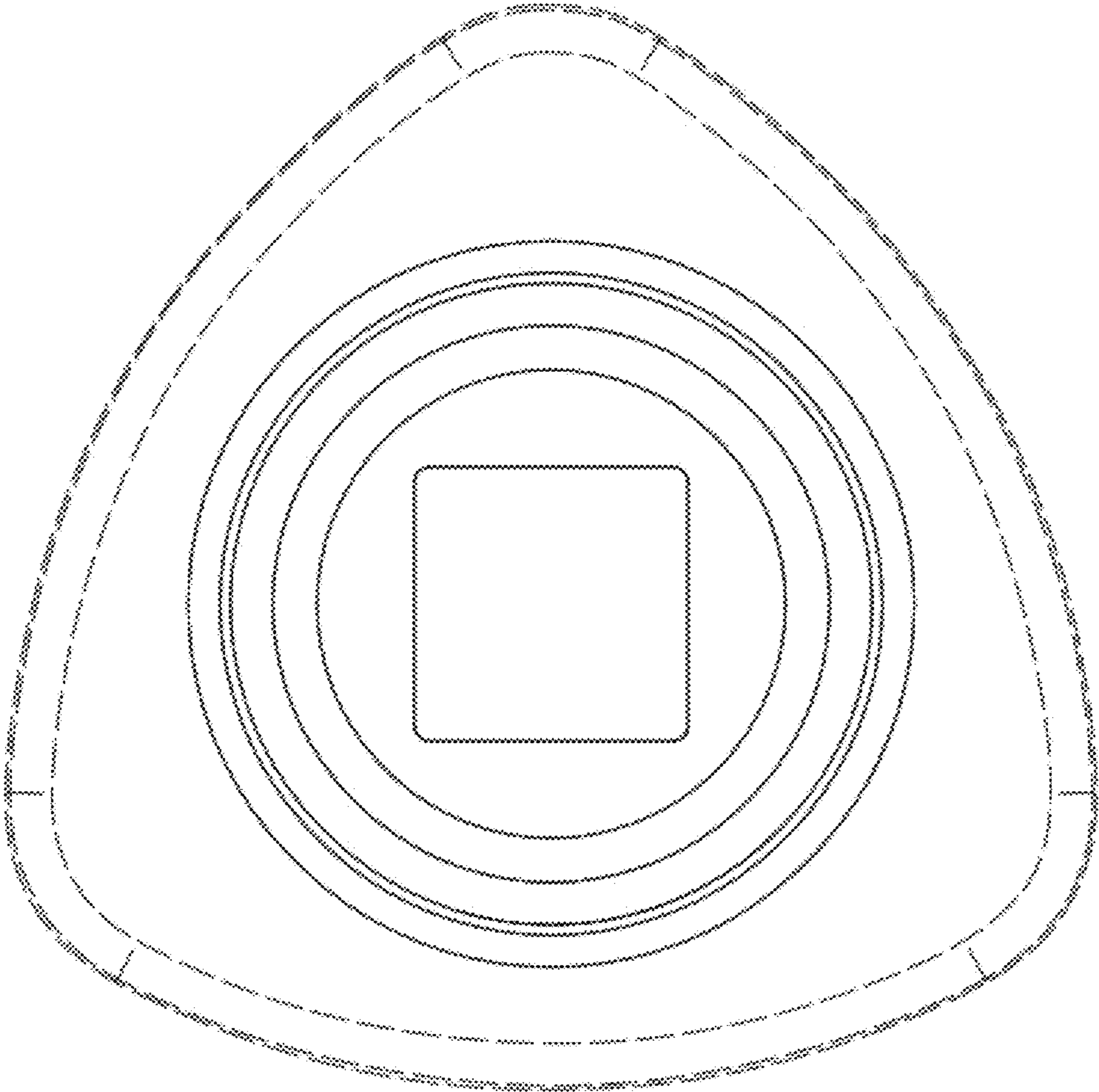


FIGURE 9

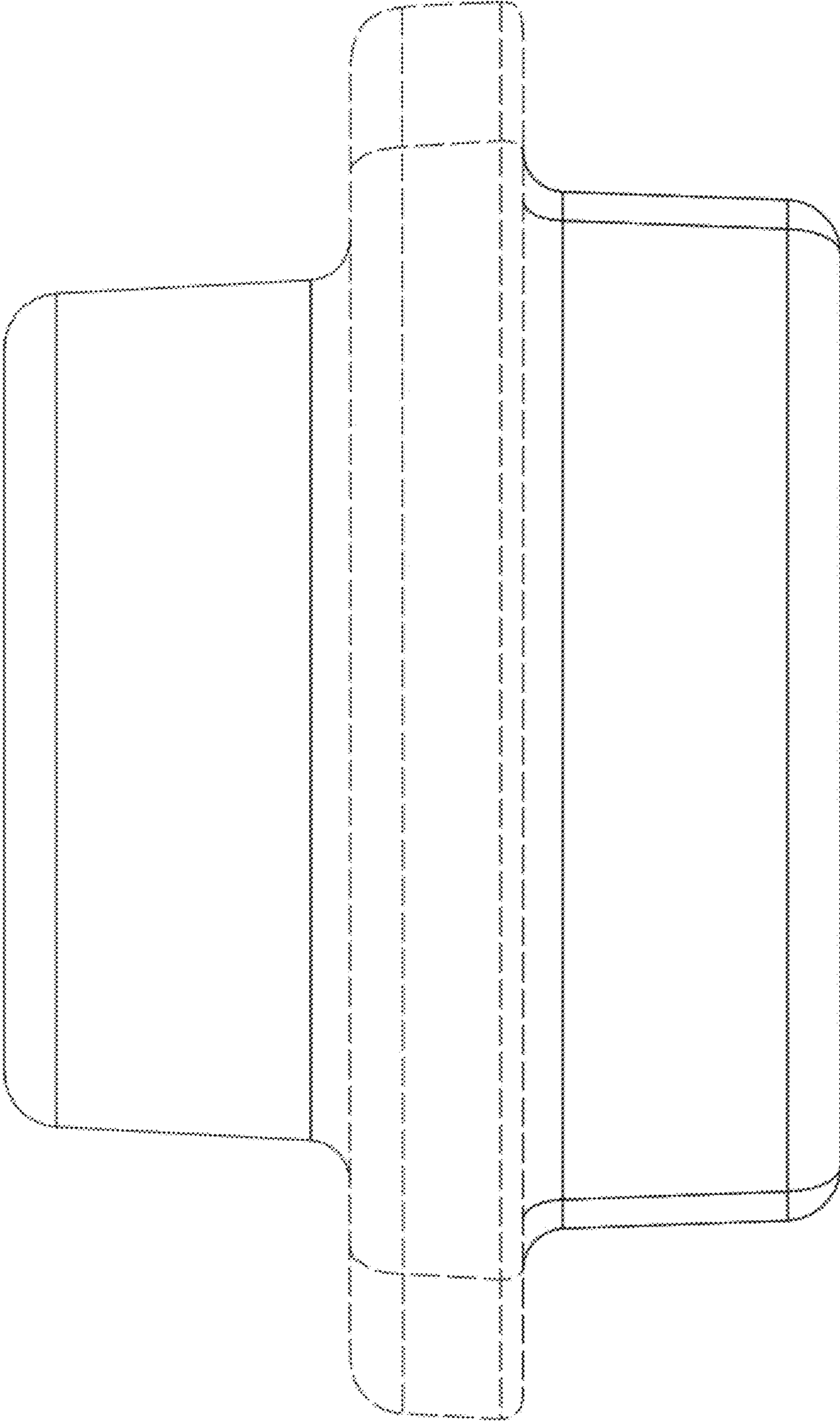


FIGURE 10

