



US00D671383S

(12) **United States Design Patent**  
**Prescott et al.**

(10) **Patent No.:** **US D671,383 S**

(45) **Date of Patent:** **\*\* Nov. 27, 2012**

(54) **UTILITY WRENCH**

(76) Inventors: **Michael Prescott**, Naples, FL (US);  
**Lance Reighter**, North Ft. Myers, FL  
(US)

(\*\*) Term: **14 Years**

(21) Appl. No.: **29/417,165**

(22) Filed: **Mar. 30, 2012**

(51) **LOC (9) Cl.** ..... **08-05**

(52) **U.S. Cl.** ..... **D8/22; D8/25**

(58) **Field of Classification Search** ..... D8/17,  
D8/21-29, 97, 105, 107; 81/60, 177.1, 177.85,  
81/121.1, 124.3, 165-170, 110.1, 176.2,  
81/124.6, 176.1, 176.15, 177.2, 186; 16/110.1;  
D15/144.1; 219/75, 227, 229, 121.16, 121.18  
See application file for complete search history.

(56) **References Cited**

**U.S. PATENT DOCUMENTS**

D281,216 S *	11/1985	Cutliff et al.	.....	D8/26
D283,198 S *	4/1986	Sipotz	.....	D8/105
D327,208 S *	6/1992	Wehling	.....	D8/55
5,303,439 A *	4/1994	Seals	.....	7/138
6,267,029 B1 *	7/2001	Hermann	.....	81/170
D520,829 S *	5/2006	Albertson	.....	D8/55
7,162,758 B2 *	1/2007	Skinner	.....	7/127
7,246,543 B1 *	7/2007	Patti	.....	81/124.5
D607,299 S *	1/2010	Albertson	.....	D8/105

\* cited by examiner

*Primary Examiner* — Raphael Barkai

*Assistant Examiner* — Randall H Gholson

(74) *Attorney, Agent, or Firm* — Charles D. Gunter, Jr.

(57) **CLAIM**

The ornamental design for a utility wrench, as shown and described.

**DESCRIPTION**

FIG. 1 is a perspective view of the utility wrench of the invention shown with the side mounted screw driver blades in the retracted position;

FIG. 2 is a bottom view of the utility wrench of FIG. 1;

FIG. 3 is a rear end view of the utility wrench of the invention, as viewed from the right end of FIG. 2;

FIG. 4 is a front end view of the utility wrench, as viewed from the left end of FIG. 2;

FIG. 5 is a bottom view of the utility wrench of the invention;

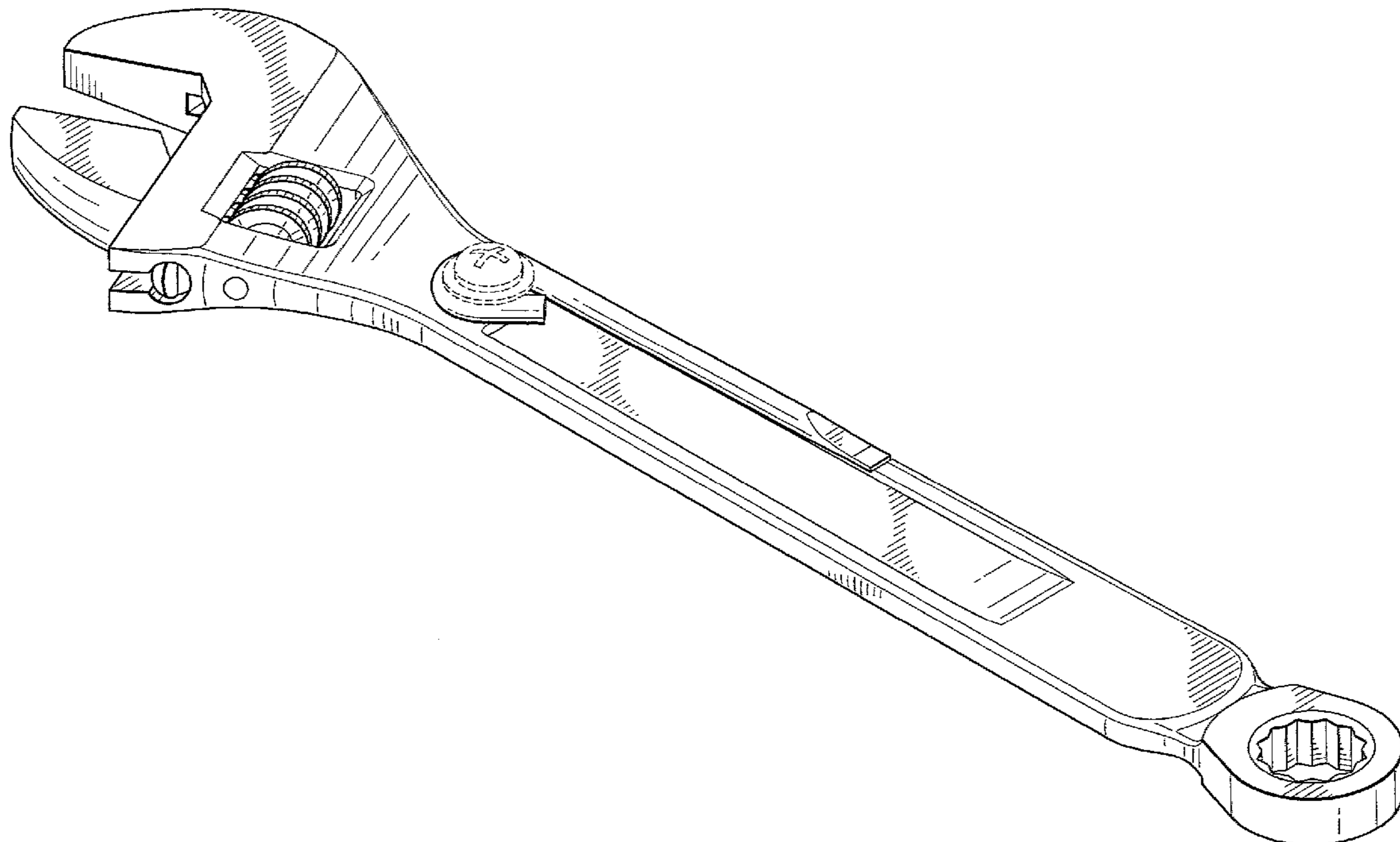
FIG. 6 is a left side view of the utility wrench of FIG. 1;

FIG. 7 is a right side view of the utility wrench of FIG. 1; and,

FIG. 8 is a perspective view of the utility wrench of the invention, similar to FIG. 1, but with the side mounted screw driver blades in the extended position.

The broken lines shown on the utility wrench are included for the purpose of illustration only and form no part of the claimed design.

**1 Claim, 4 Drawing Sheets**



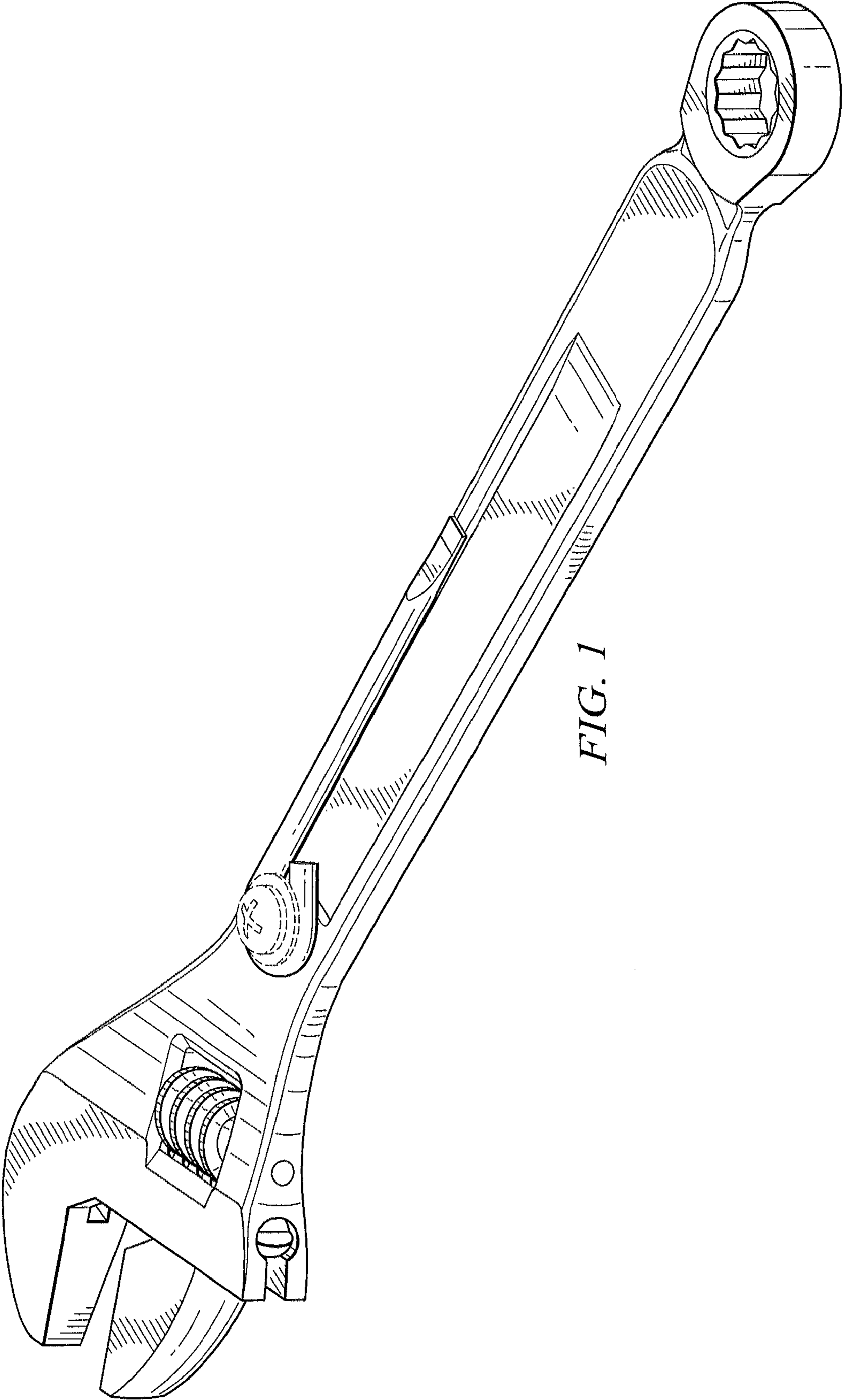


FIG. 1

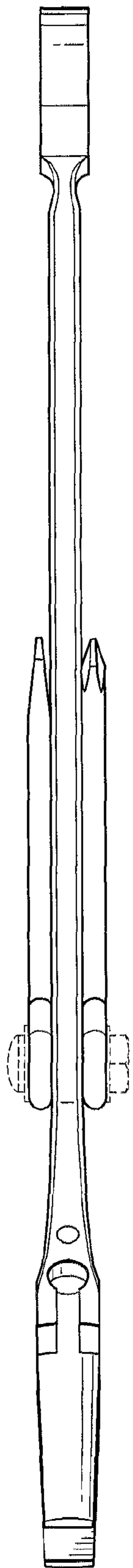


FIG. 2

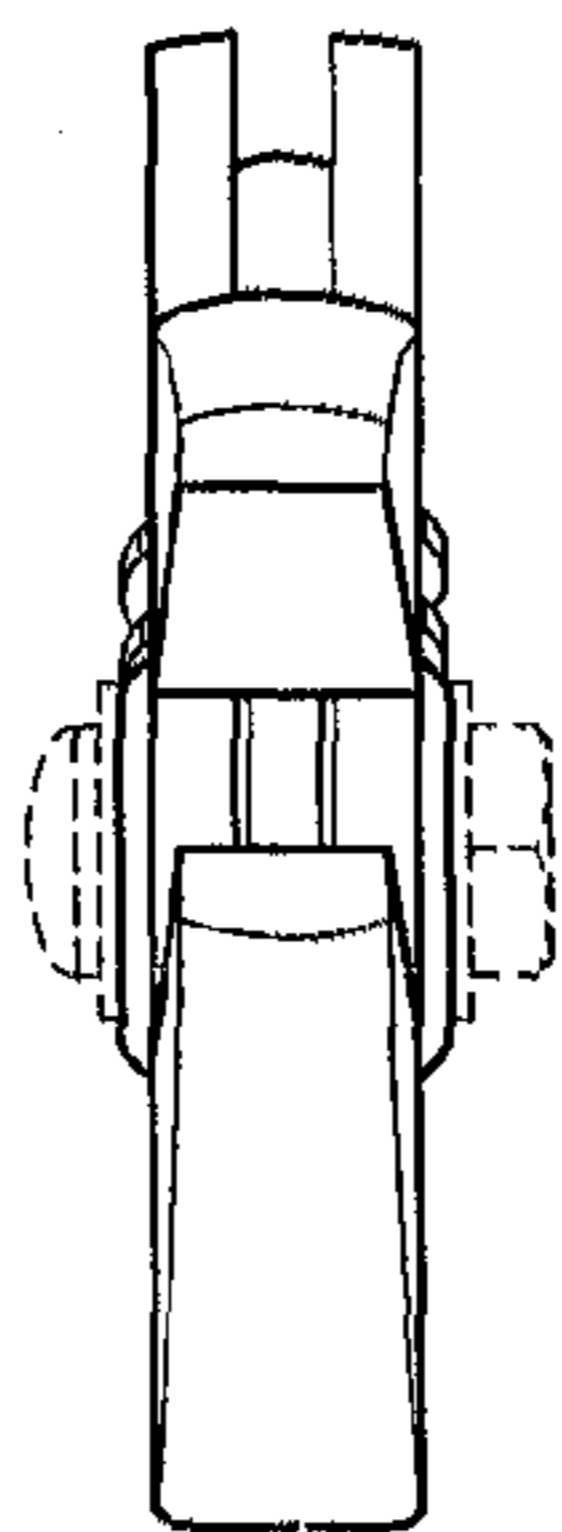


FIG. 4

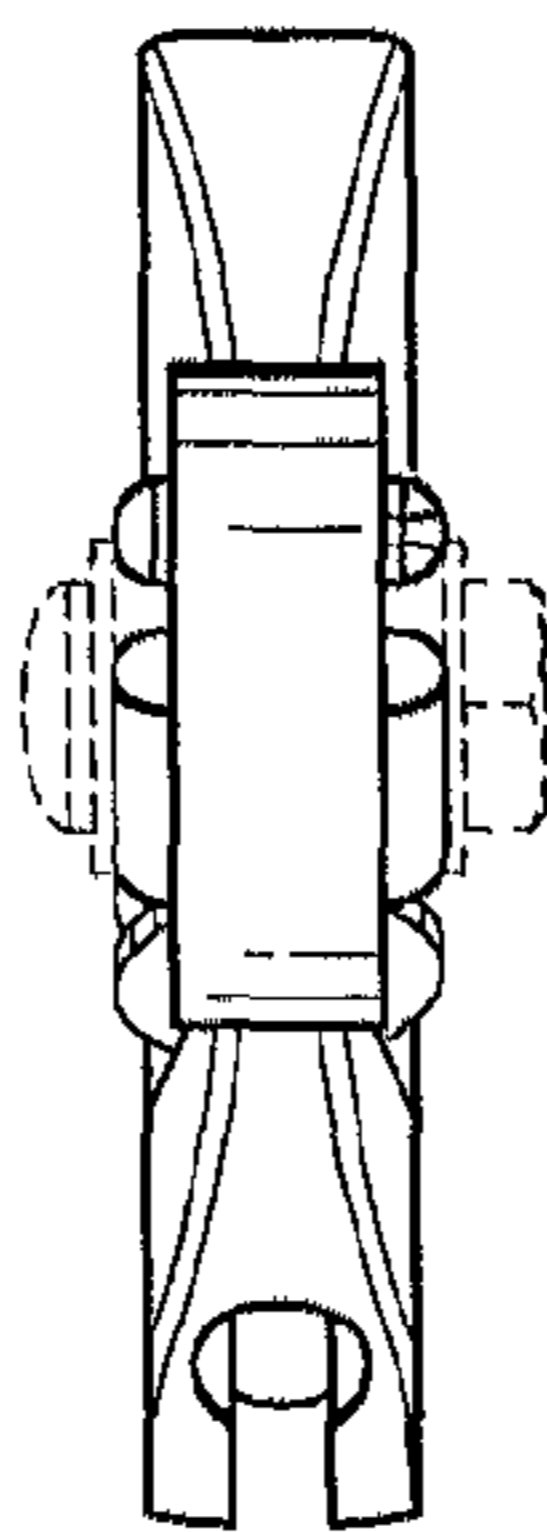


FIG. 3

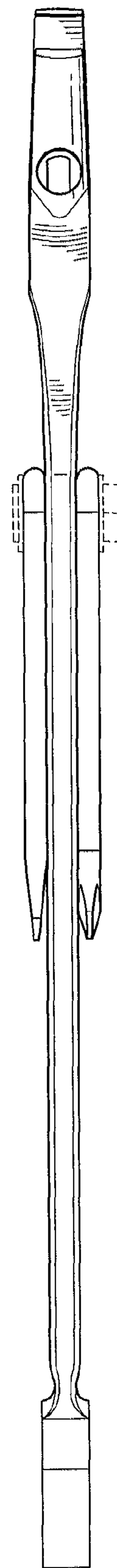


FIG. 5

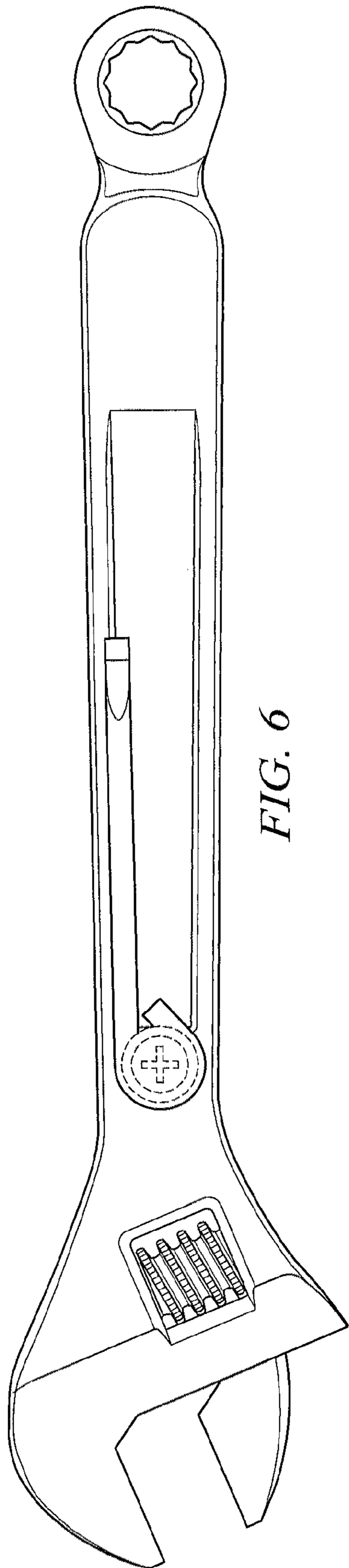


FIG. 6

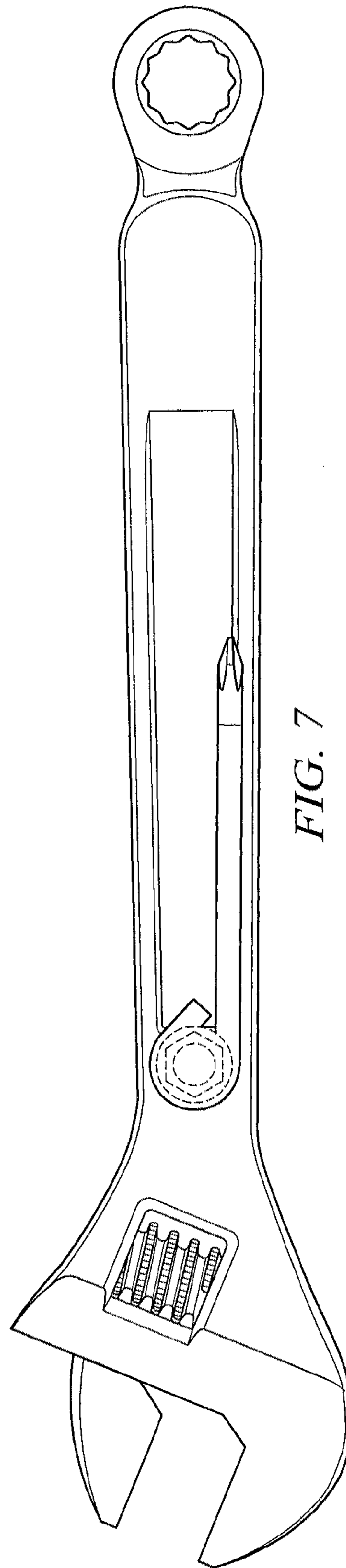


FIG. 7



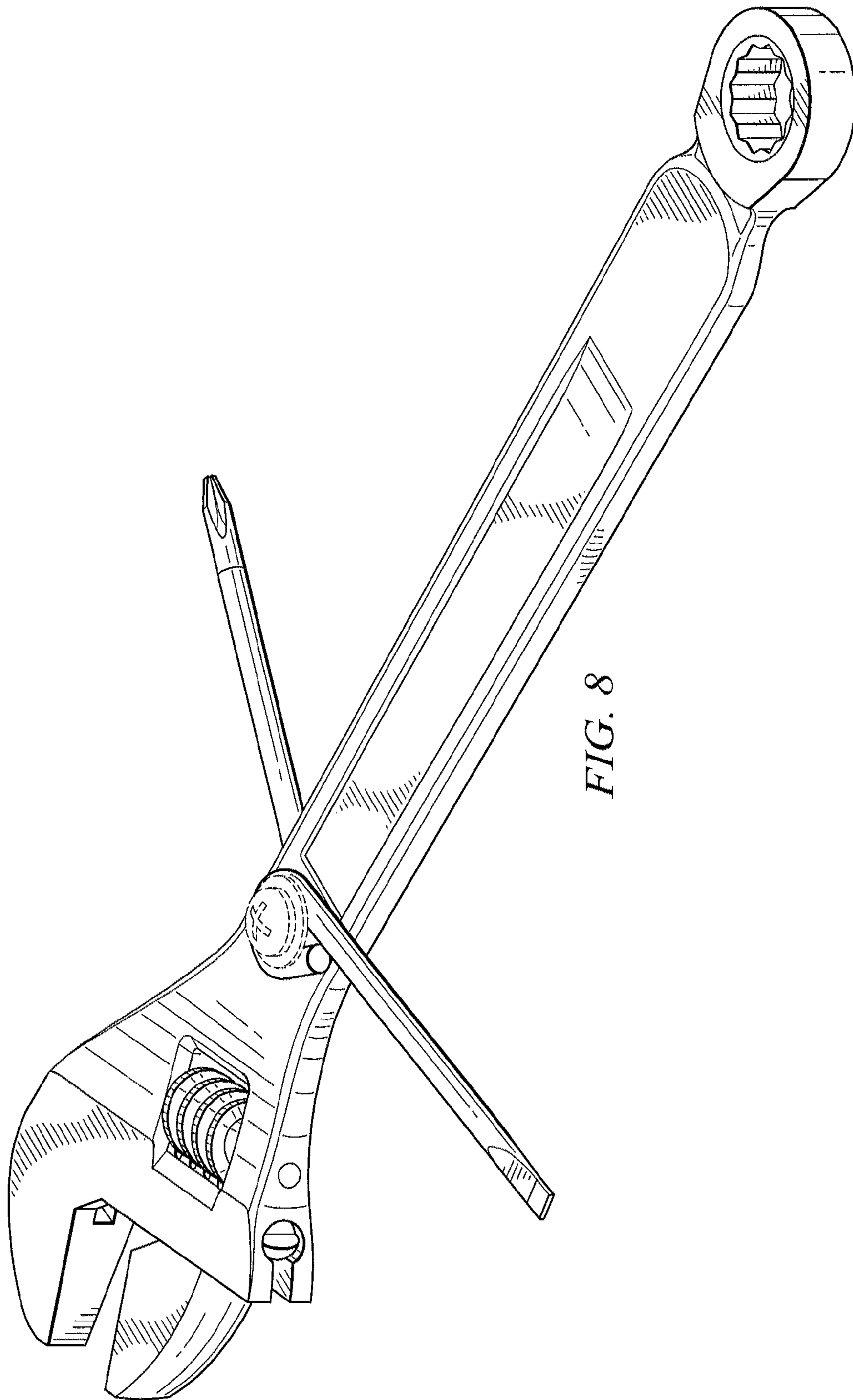


FIG. 8