



US00D671382S

(12) **United States Design Patent**  
**Davis**

(10) **Patent No.:** **US D671,382 S**

(45) **Date of Patent:** **\*\* Nov. 27, 2012**

(54) **STRAP WRENCH DEVICE**

(76) Inventor: **Ray J. Davis**, Houston, TX (US)

(\*\*) Term: **14 Years**

(21) Appl. No.: **29/404,873**

(22) Filed: **Oct. 26, 2011**

(51) **LOC (9) Cl.** ..... **08-05**

(52) **U.S. Cl.** ..... **D8/22**

(58) **Field of Classification Search** ..... D8/21-29,  
D8/105, 106, 107; 81/3.4, 3.41, 3.42, 3.43,  
81/3.44, 65.2, 68, 69, 70, 176.1, 176.15,  
81/176.2

See application file for complete search history.

(56) **References Cited**

**U.S. PATENT DOCUMENTS**

|               |         |                |       |
|---------------|---------|----------------|-------|
| 689,325 A     | 12/1901 | Sands          |       |
| 714,610 A     | 11/1902 | Rawe           |       |
| 840,496 A     | 11/1907 | Justin         |       |
| 876,469 A     | 1/1908  | Martin et al.  |       |
| 988,780 A     | 4/1911  | Horwath        |       |
| 1,496,707 A   | 6/1924  | Gaw            |       |
| 1,525,358 A   | 2/1925  | Bergen         |       |
| 2,447,770 A   | 8/1948  | Ratchford      |       |
| 2,481,055 A   | 9/1949  | Whitaker       |       |
| 2,787,924 A   | 4/1957  | Hammer         |       |
| 2,793,550 A   | 5/1957  | Robinson       |       |
| 3,962,936 A   | 6/1976  | Lewis          |       |
| D242,981 S    | 1/1977  | Craig          |       |
| 4,037,495 A   | 7/1977  | Beckstead      |       |
| 4,082,018 A   | 4/1978  | Russell et al. |       |
| 4,145,938 A   | 3/1979  | Laird, Jr.     |       |
| 4,287,804 A   | 9/1981  | Hirose         |       |
| 4,345,494 A   | 8/1982  | Asmodt         |       |
| D268,164 S    | 3/1983  | Sandberg       |       |
| 4,543,858 A * | 10/1985 | Luck           | 81/64 |
| 4,552,040 A   | 11/1985 | Bang           |       |

|               |         |               |         |
|---------------|---------|---------------|---------|
| 4,750,388 A   | 6/1988  | Hagen         |         |
| 4,848,192 A   | 7/1989  | Jeffreys      |         |
| D307,101 S    | 4/1990  | Anderson      |         |
| 5,400,917 A * | 3/1995  | Stanton       | 220/612 |
| D358,745 S    | 5/1995  | Collier       |         |
| D369,076 S    | 4/1996  | Alexander     |         |
| 5,522,284 A   | 6/1996  | Sade          |         |
| 6,089,126 A   | 7/2000  | Teeter et al. |         |
| 6,101,903 A   | 8/2000  | Negley et al. |         |
| 6,125,723 A   | 10/2000 | Huang         |         |

(Continued)

*Primary Examiner* — Raphael Barkai

*Assistant Examiner* — Randall Gholson

(74) *Attorney, Agent, or Firm* — Snell & Wilmer L.L.P.

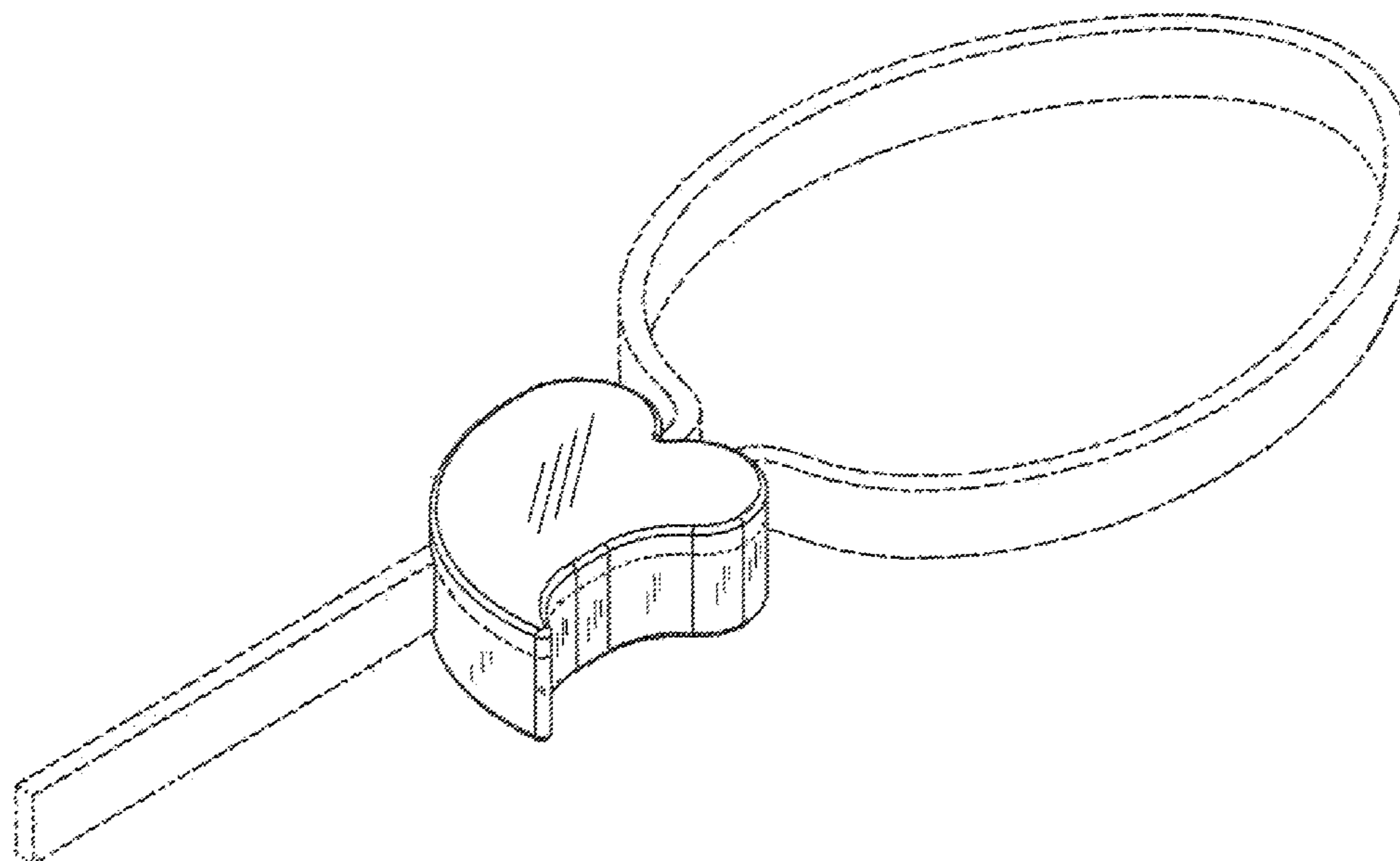
(57) **CLAIM**

The ornamental design for the strap wrench device, as shown and described.

**DESCRIPTION**

FIG. 1 is a front isometric view depicting an embodiment of a new design for a strap wrench device;  
 FIG. 2 is a front view depicting the embodiment of the new design for the strap wrench device of FIG. 1;  
 FIG. 3 is a back view depicting the embodiment of the new design for the strap wrench device of FIG. 1;  
 FIG. 4 is a right side view depicting the embodiment of the new design for the strap wrench device of FIG. 1;  
 FIG. 5 is a left side view depicting the embodiment of the new design for the strap wrench device of FIG. 1;  
 FIG. 6 is a top view depicting the embodiment of the new design for the strap wrench device of FIG. 1; and,  
 FIG. 7 is a bottom view depicting the embodiment of the new design for the strap wrench device of FIG. 1.  
 The broken lines showing a flexible strap and assembly seam on the drawings form no part of the claimed design.

**1 Claim, 4 Drawing Sheets**



# US D671,382 S

Page 2

---

## U.S. PATENT DOCUMENTS

|                |         |                 |       |         |                 |         |         |                |
|----------------|---------|-----------------|-------|---------|-----------------|---------|---------|----------------|
| 6,247,584 B1 * | 6/2001  | Au              | ..... | 206/6.1 | 6,851,335 B2    | 2/2005  | Johnson |                |
| D461,382 S     | 8/2002  | Hernandez       |       |         | D507,868 S      | 8/2005  | Ready   |                |
| D461,693 S     | 8/2002  | Khubani         |       |         | 6,948,404 B1    | 9/2005  | Chokshi |                |
| 6,427,561 B1   | 8/2002  | Huang           |       |         | D525,429 S *    | 7/2006  | Lalwani | ..... D3/271.1 |
| D465,391 S     | 11/2002 | Huang           |       |         | D527,962 S      | 9/2006  | Kang    |                |
| 6,490,951 B1   | 12/2002 | Davidson        |       |         | D531,864 S      | 11/2006 | Ping    |                |
| 6,520,052 B1   | 2/2003  | Saunders et al. |       |         | 7,155,999 B1    | 1/2007  | Helfet  |                |
| D474,661 S     | 5/2003  | Huang           |       |         | 7,251,957 B2 *  | 8/2007  | Solomon | ..... 63/19    |
| 6,831,335 B2   | 12/2004 | Huang           |       |         | D650,582 S *    | 12/2011 | Jamtlid | ..... D3/271.1 |
| 6,834,568 B2   | 12/2004 | Khubani         |       |         | 2006/0112792 A1 | 6/2006  | Ping    |                |

\* cited by examiner

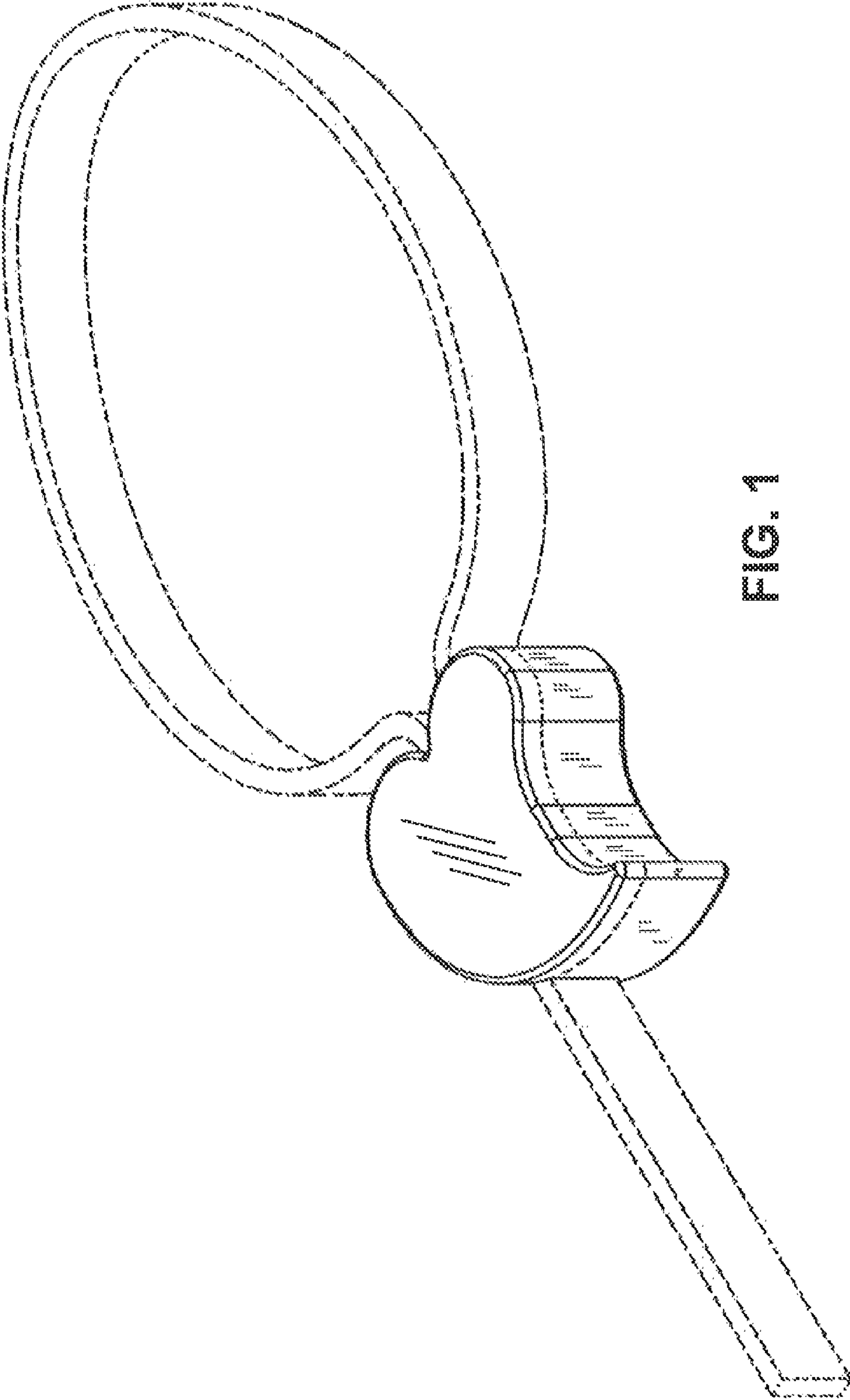


FIG. 1

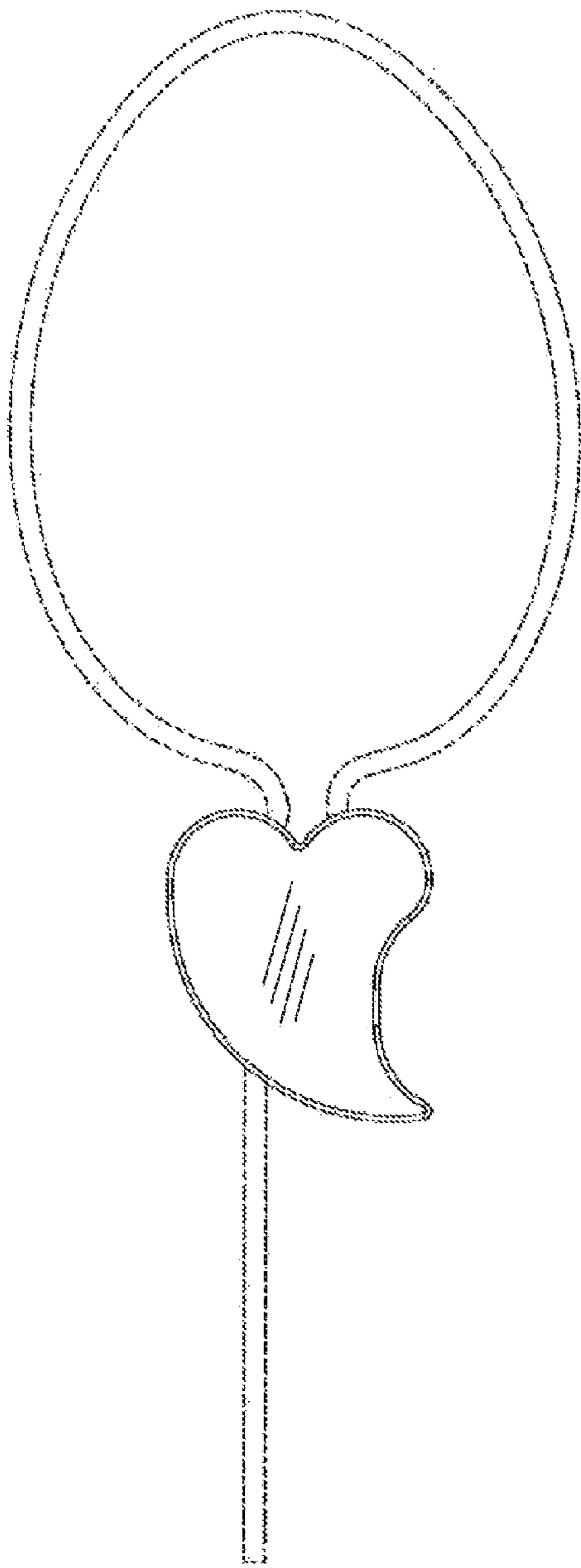


FIG. 2

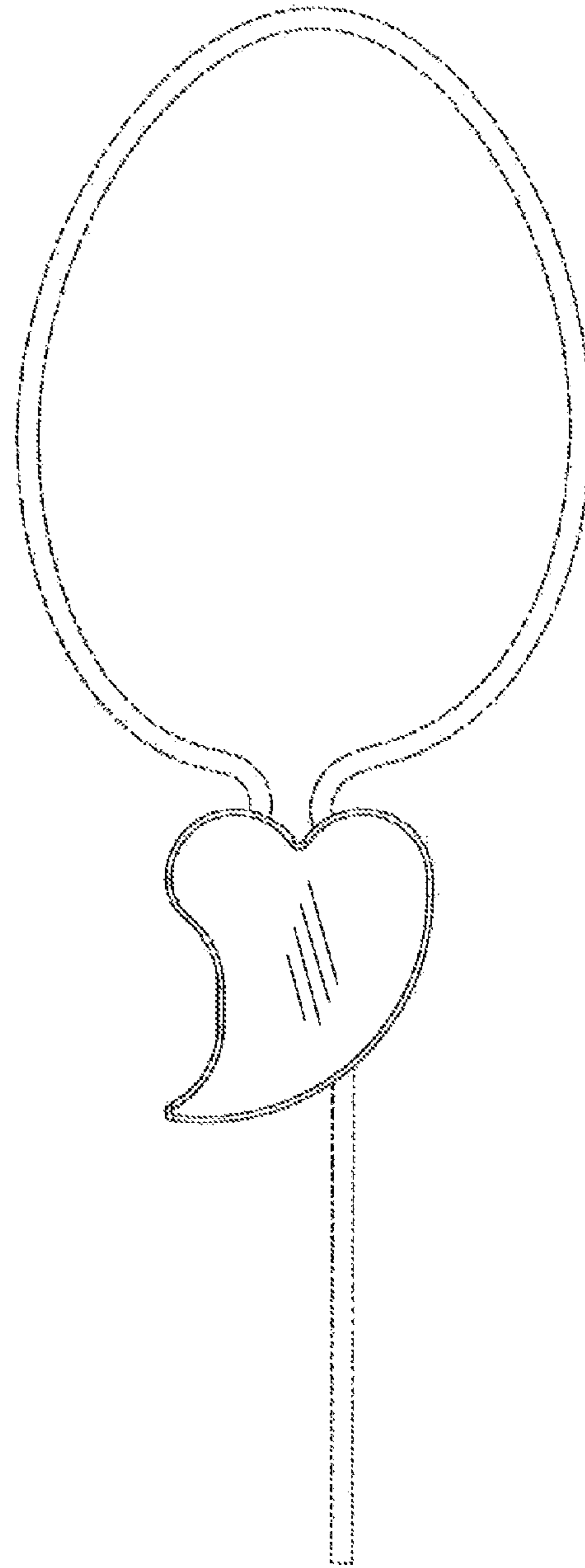


FIG. 3

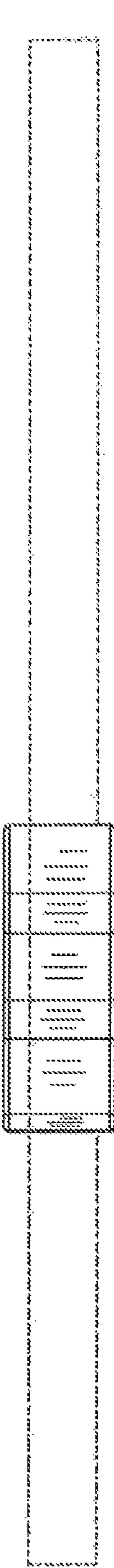


FIG. 4

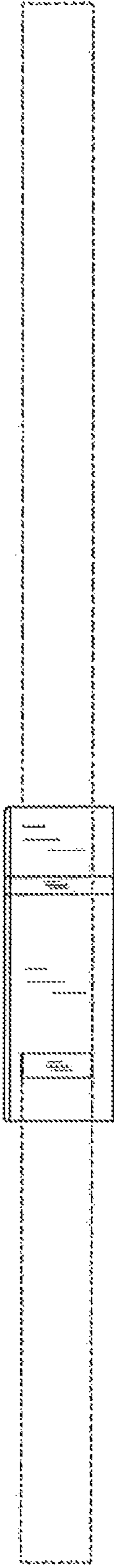


FIG. 5

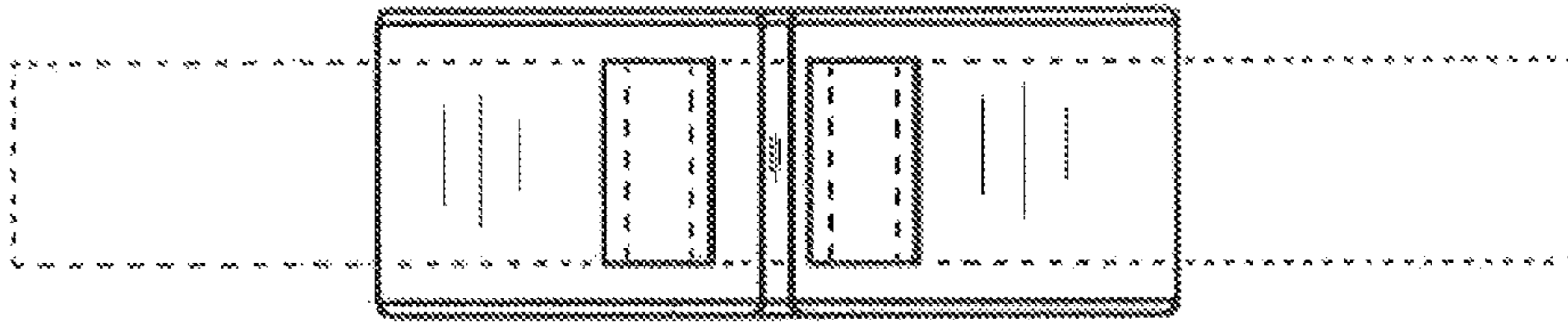


FIG. 7

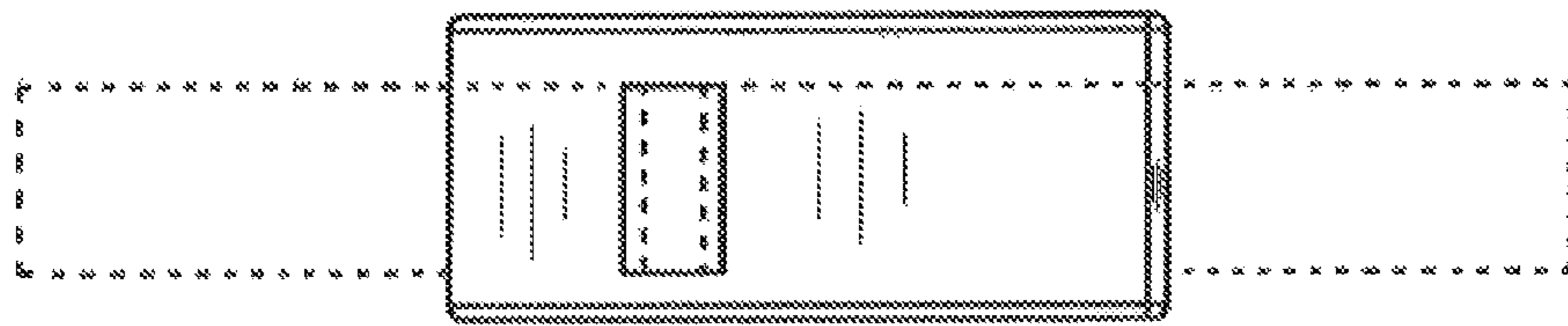


FIG. 6