

US00D671380S

(12) **United States Design Patent**
Momeny

(10) **Patent No.:** **US D671,380 S**

(45) **Date of Patent:** **** Nov. 27, 2012**

(54) **WALL-MOUNTABLE RACK FOR WINE BOTTLES**

(76) Inventor: **Blash Momeny**, Mission Viejo, CA (US)

(**) Term: **14 Years**

(21) Appl. No.: **29/334,271**

(22) Filed: **Mar. 24, 2009**

(51) **LOC (9) Cl.** **07-06**

(52) **U.S. Cl.** **D7/701**

(58) **Field of Classification Search** D7/701-708,
D7/619.1-625, 557, 554.1, 553.6, 554.2;
248/248, 152, 176.1, 312, 311.2, 311.3; 211/74,
211/71.01, 13.1, 126.1, 75, 64, 87.01; 294/172;
220/23.83; D6/466-468, 570

See application file for complete search history.

(56) **References Cited**

U.S. PATENT DOCUMENTS

D7,342 S *	3/1874	Bakewell, Jr.	D7/515
1,878,302 A *	9/1932	Tourtois	211/77
D122,168 S *	8/1940	Lippincott	D7/701
D135,747 S *	6/1943	Austin	D7/639
D188,286 S *	6/1960	Hassey	D7/707
4,460,221 A	7/1984	Dimino		
D303,601 S *	9/1989	Silveira	D7/515
D312,949 S *	12/1990	Persch	D7/598
D344,204 S *	2/1994	Dixon	D7/301
D348,182 S	6/1994	Young		
D378,038 S *	2/1997	Gaines	D7/551.1
D391,445 S *	3/1998	Toth et al.	D7/554.2
D391,449 S *	3/1998	Toth et al.	D7/554.2
D416,769 S *	11/1999	Morgan	D7/600.2
D440,832 S *	4/2001	Goldsborough	D7/701
6,616,002 B2 *	9/2003	Weil	217/76

D483,202 S *	12/2003	Slemmons	D6/451
D571,623 S *	6/2008	Loving	D7/707
7,398,889 B1	7/2008	McNulty		
D576,455 S *	9/2008	Siddle	D7/701
7,434,705 B2 *	10/2008	Evangelista	222/105
7,922,015 B2 *	4/2011	Bassetti	211/74
2009/0071920 A1 *	3/2009	Bassetti	211/74

OTHER PUBLICATIONS

Heirloom Barrel Wine Rack, 18 Bottle Pacific Northwest Wine Club
PO Box 2081 Lake Oswego, OR 97035 http://pnwc.com/sitertools/product.php/view/detail/id/229/prd/heirloom_barrel_wine_rack_18_bottle/cat/53.

Wine Barrel Bar, NapaStyle website, Napa Valley, Ca. <http://www.napastyle.com/catalog/product.jsp?prodId=3972>.

* cited by examiner

Primary Examiner — Ian Simmons

Assistant Examiner — Carissa C Fitts

(74) *Attorney, Agent, or Firm* — George P. White

(57) **CLAIM**

The ornamental design for a wall-mountable rack for wine bottles, substantially as shown and described.

DESCRIPTION

FIG. 1 is a front, top, and right side perspective view of a first version of the invention.

FIG. 2 is a right side view thereof. Due to symmetry it is also representative of a left side view, a top view, and a bottom view; and,

FIG. 3 is a front view thereof.

The broken line showing is for environmental purposes only and forms no part of the claimed design.

1 Claim, 2 Drawing Sheets

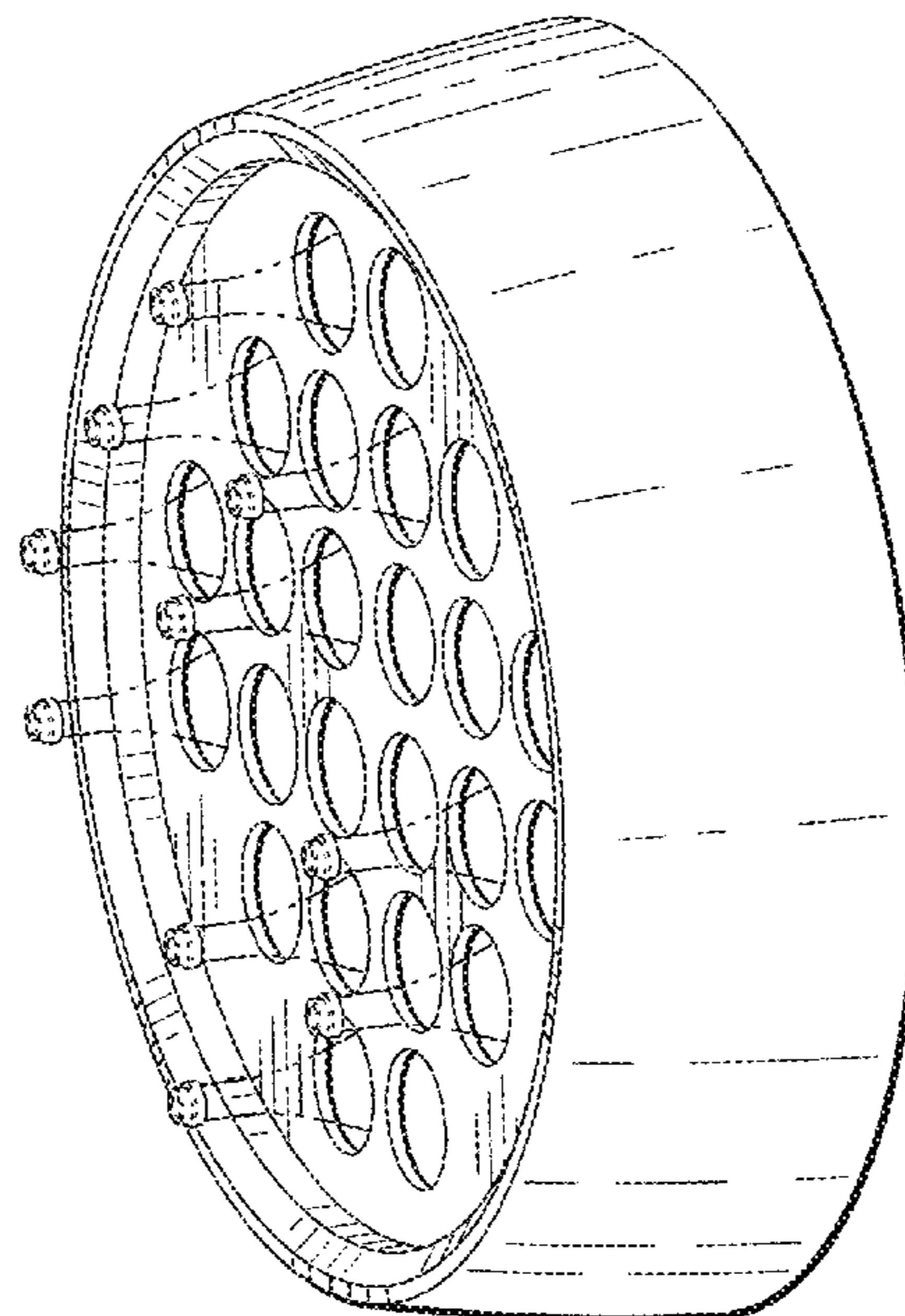


Fig. 1

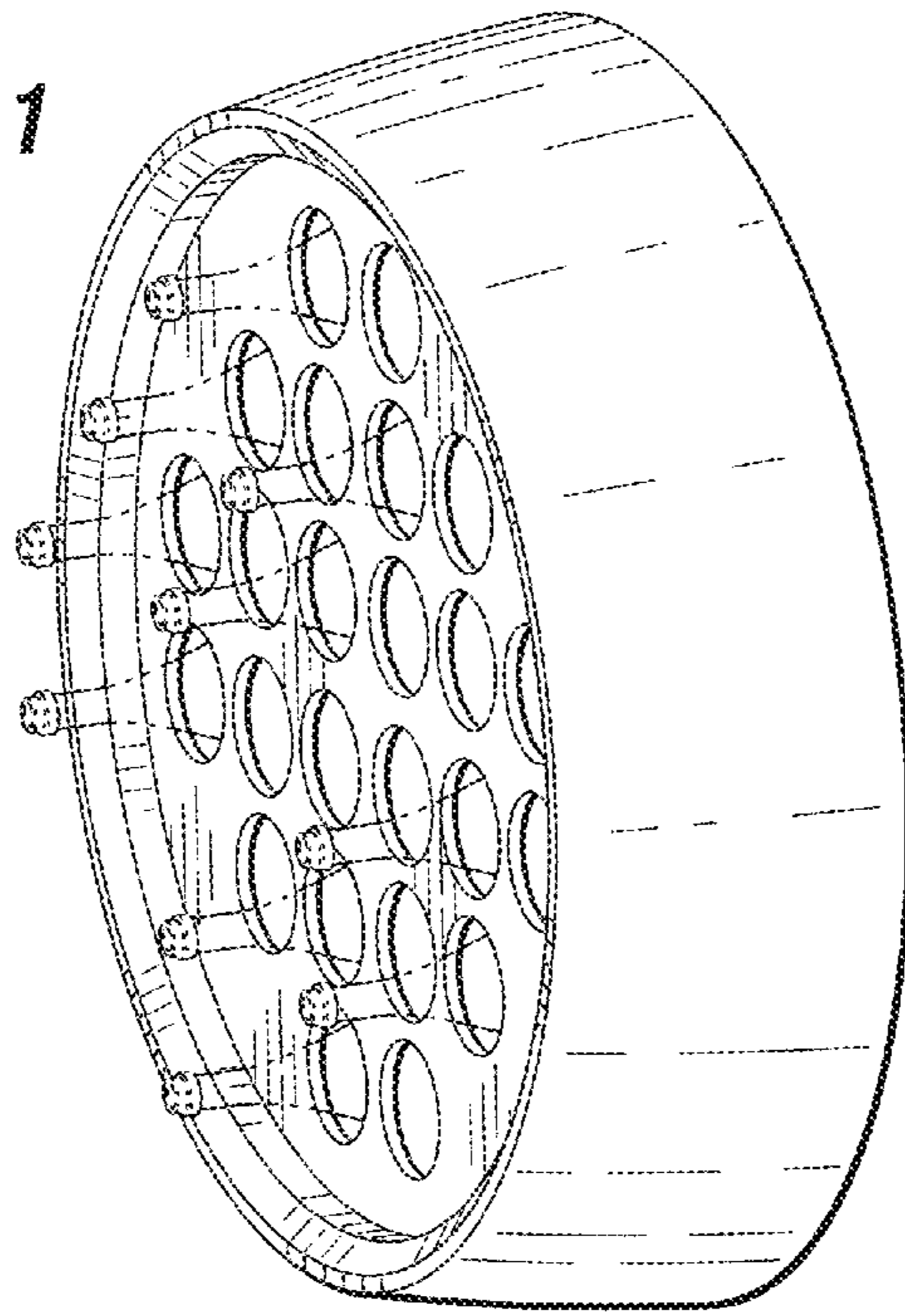


Fig. 2

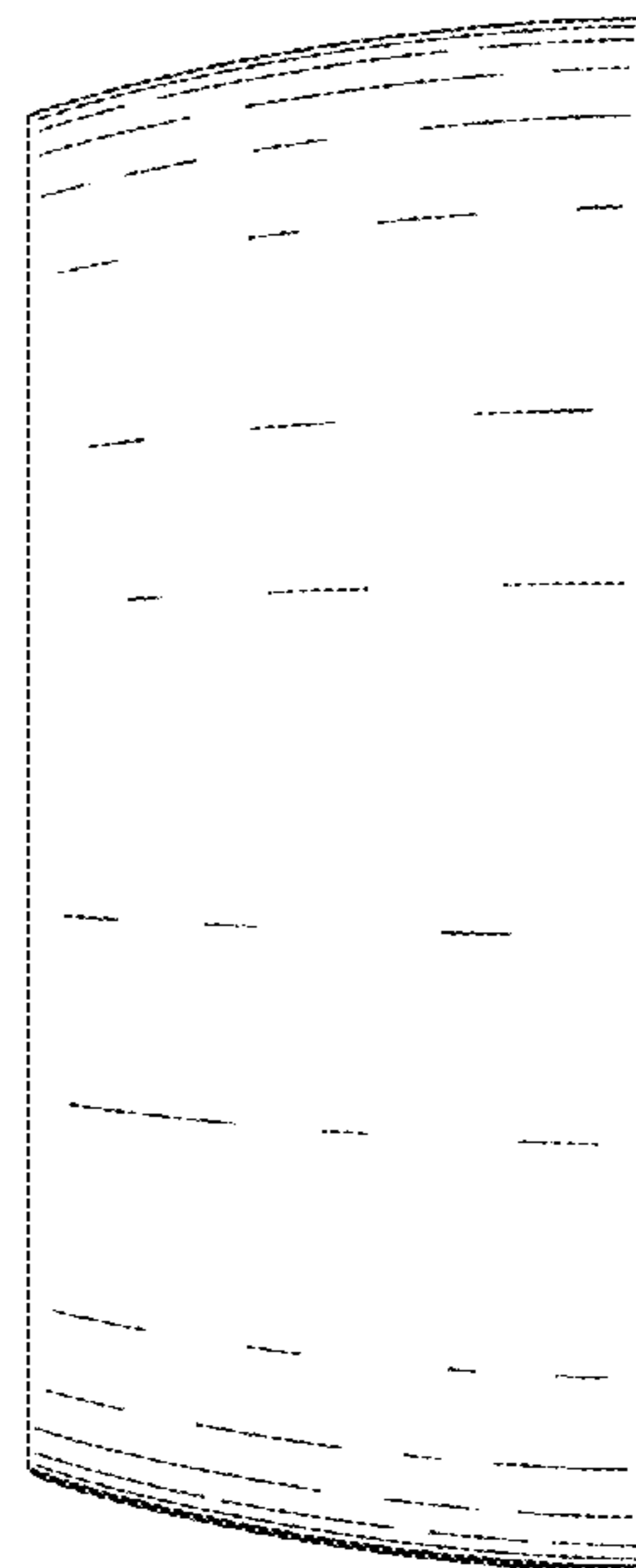


Fig. 3

