



US00D671379S

(12) **United States Design Patent**  
**Lion et al.**

(10) **Patent No.:** **US D671,379 S**

(45) **Date of Patent:** **\*\* Nov. 27, 2012**

(54) **FUNNEL**

\* cited by examiner

(75) Inventors: **Mathieu Lion**, Paris (FR); **Elodie Brisset**, Paris (FR)

*Primary Examiner* — Terry Wallace

(74) *Attorney, Agent, or Firm* — Connolly Bove Lodge & Hutz LLP

(73) Assignee: **Mastrad, S.A.**, Paris (FR)

(\*\*) Term: **14 Years**

(57) **CLAIM**

The ornamental design for a funnel, as shown and described.

(21) Appl. No.: **29/406,070**

(22) Filed: **Nov. 9, 2011**

(51) **LOC (9) Cl.** ..... **07-99**

(52) **U.S. Cl.** ..... **D7/700**

(58) **Field of Classification Search** ..... D7/700,  
D7/400, 368; D23/200; 100/104, 110, 295;  
D15/150-152; 141/297-300, 331-345, 95-98,  
141/319-321

See application file for complete search history.

**DESCRIPTION**

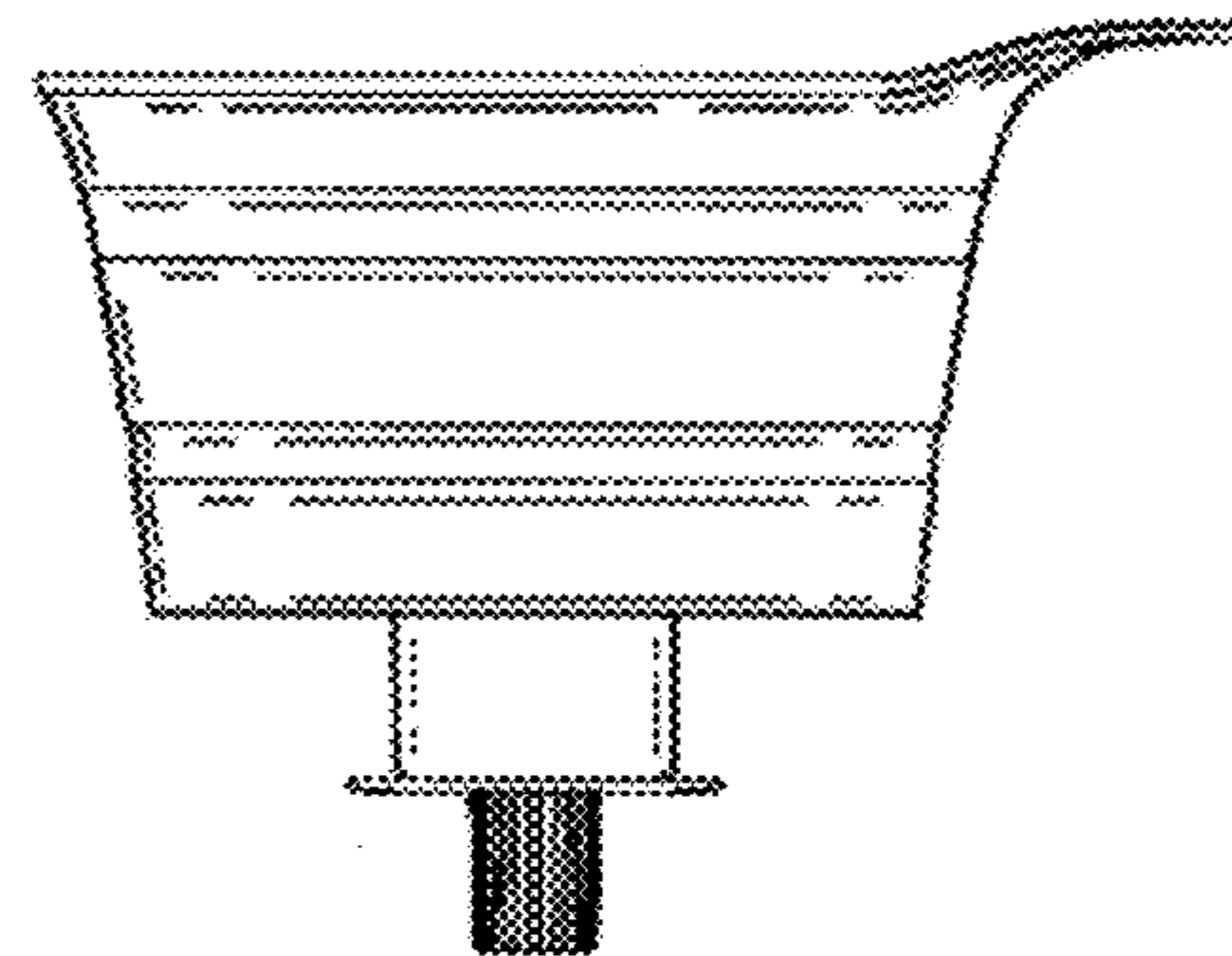
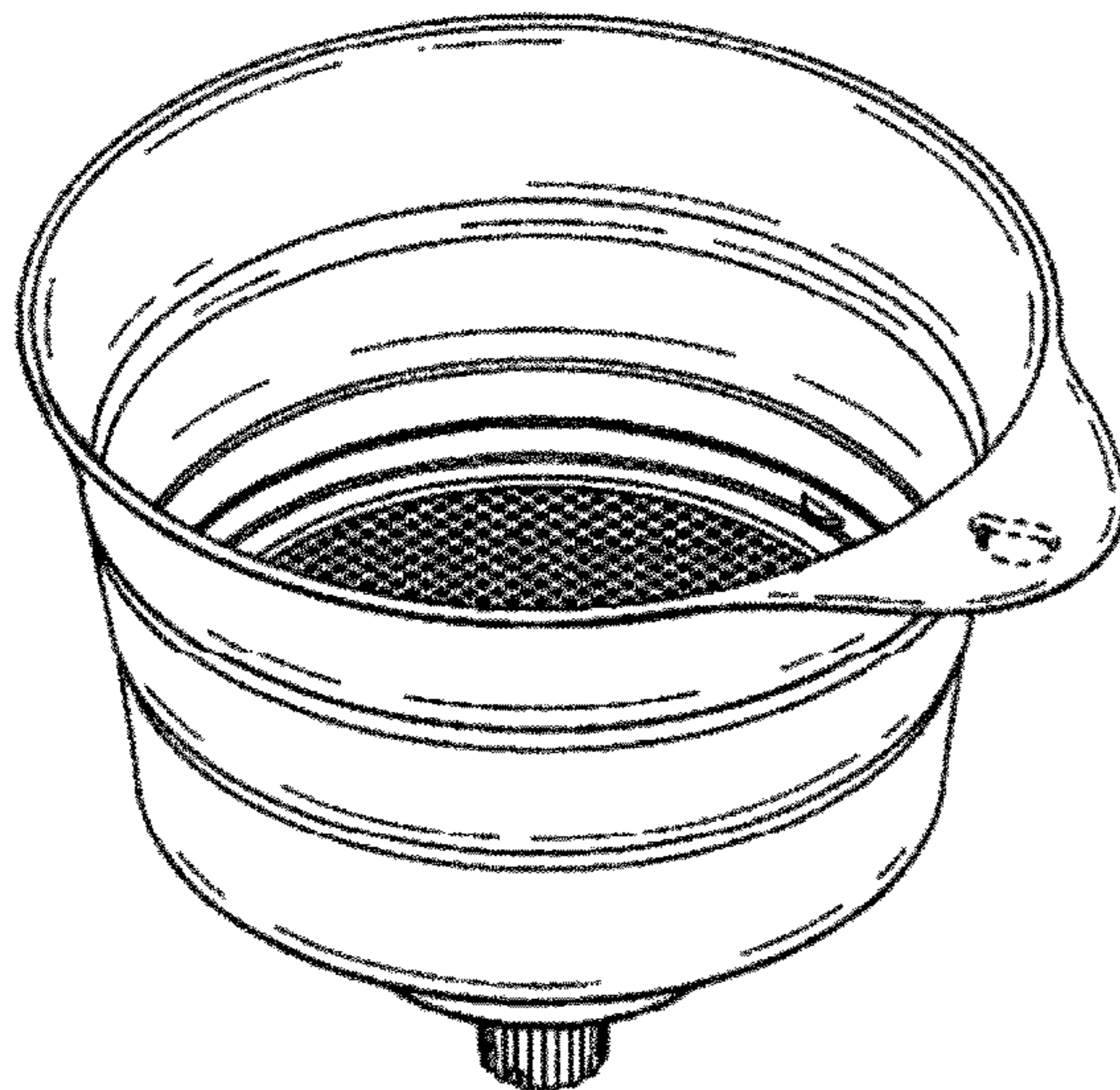
FIG. 1 is a perspective view of the funnel;  
FIG. 2 is an exploded perspective view of the funnel;  
FIG. 3 is a front plan view of the funnel of FIG. 1;  
FIG. 4 is a right side plan view of the funnel of FIG. 1;  
FIG. 5 is a cross-sectional view of the funnel along 5-5 of FIG. 4;  
FIG. 6 is a left side plan view of the funnel of FIG. 1;  
FIG. 7 is a top plan view of the funnel of FIG. 1; and,  
FIG. 8 is a bottom plan view of the funnel of FIG. 1.  
The opening in the tab portion of the funnel is depicted in broken lines and form no part of the claimed design.

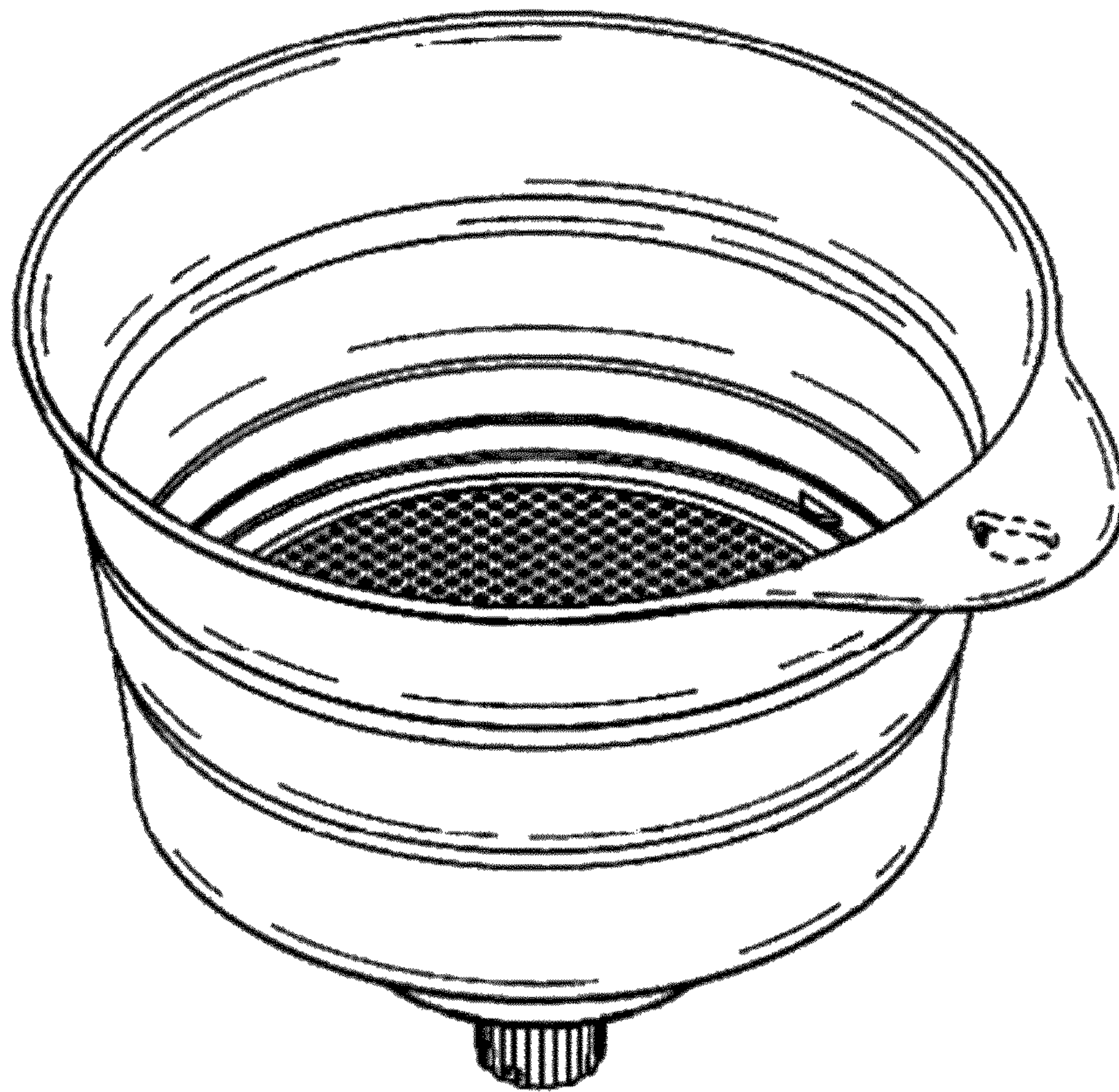
(56) **References Cited**

**U.S. PATENT DOCUMENTS**

4,231,876	A	*	11/1980	Zimmermann et al.	.....	210/232
D310,123	S	*	8/1990	Carlson	.....	D7/700
D375,878	S	*	11/1996	Morris	.....	D7/700
D521,329	S	*	5/2006	Bodum	.....	D7/700

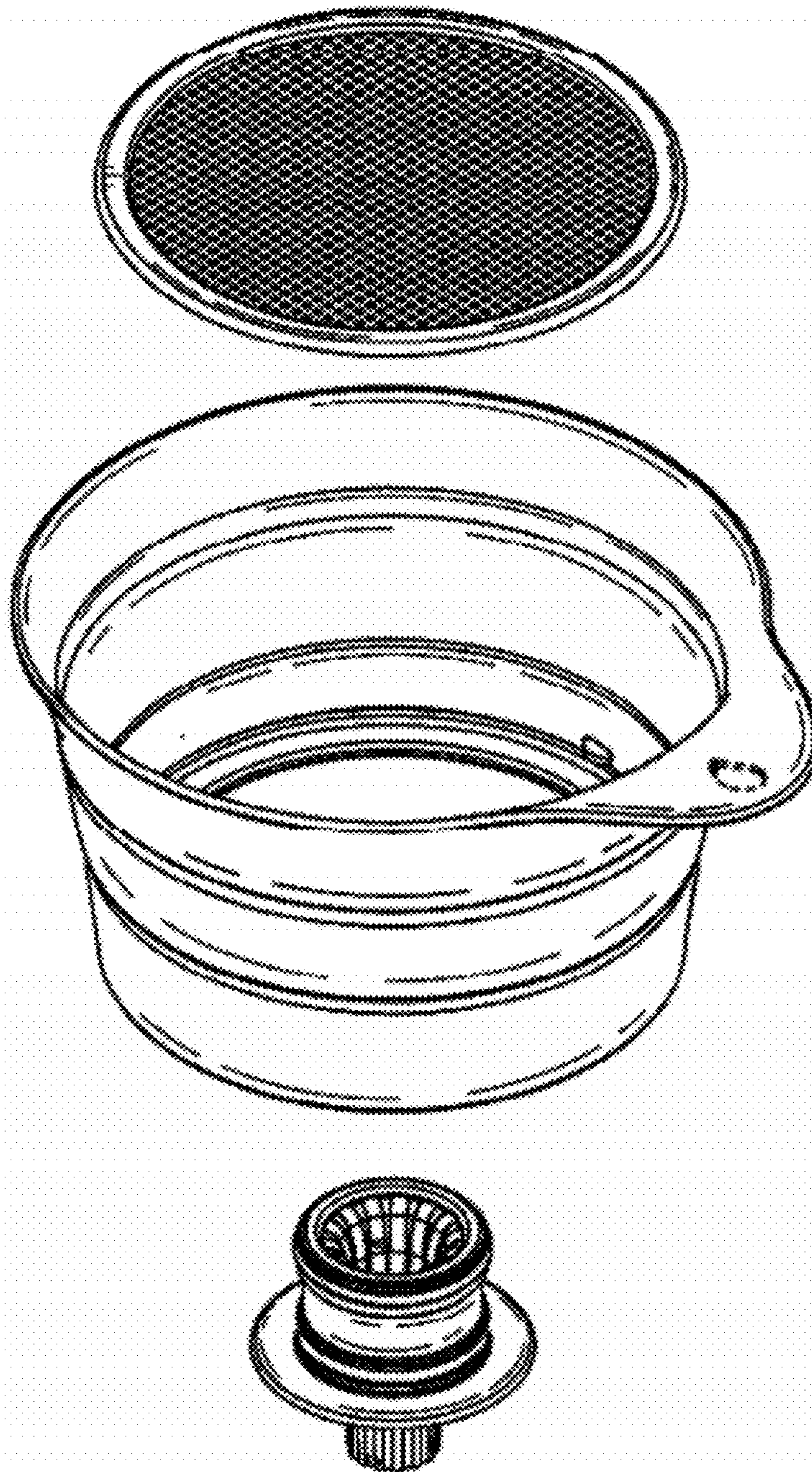
**1 Claim, 8 Drawing Sheets**



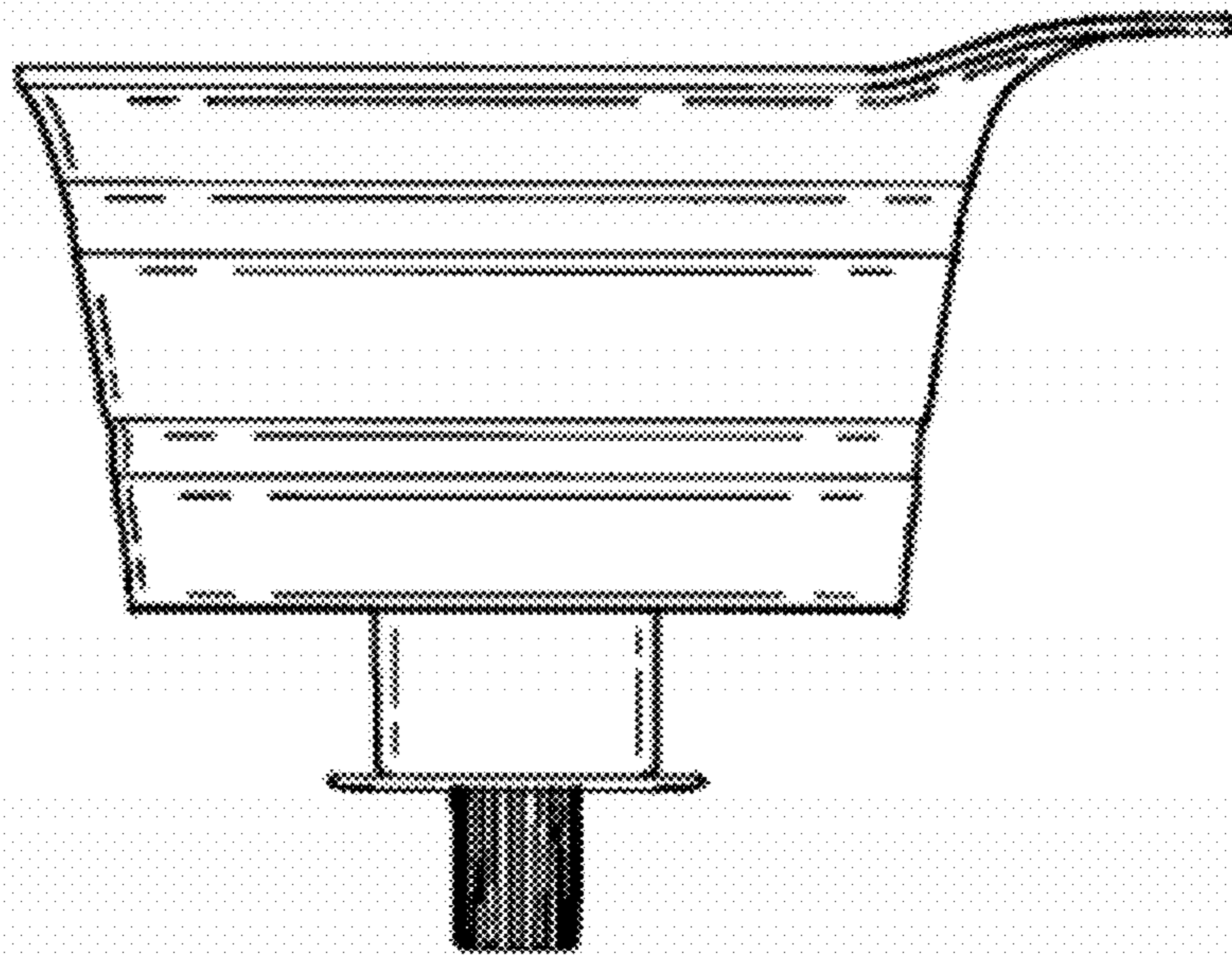


*Fig. 1*

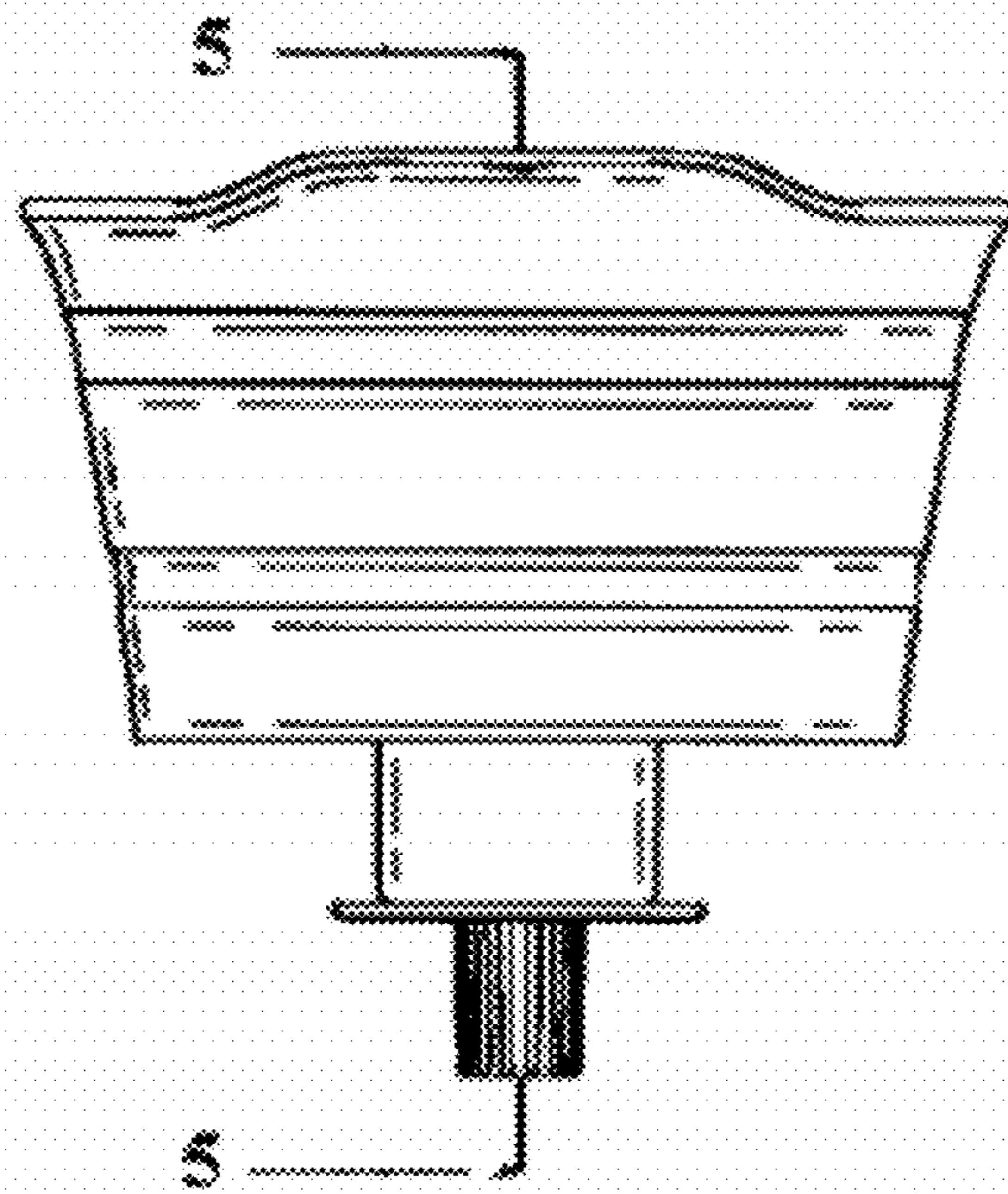




*Fig. 2*

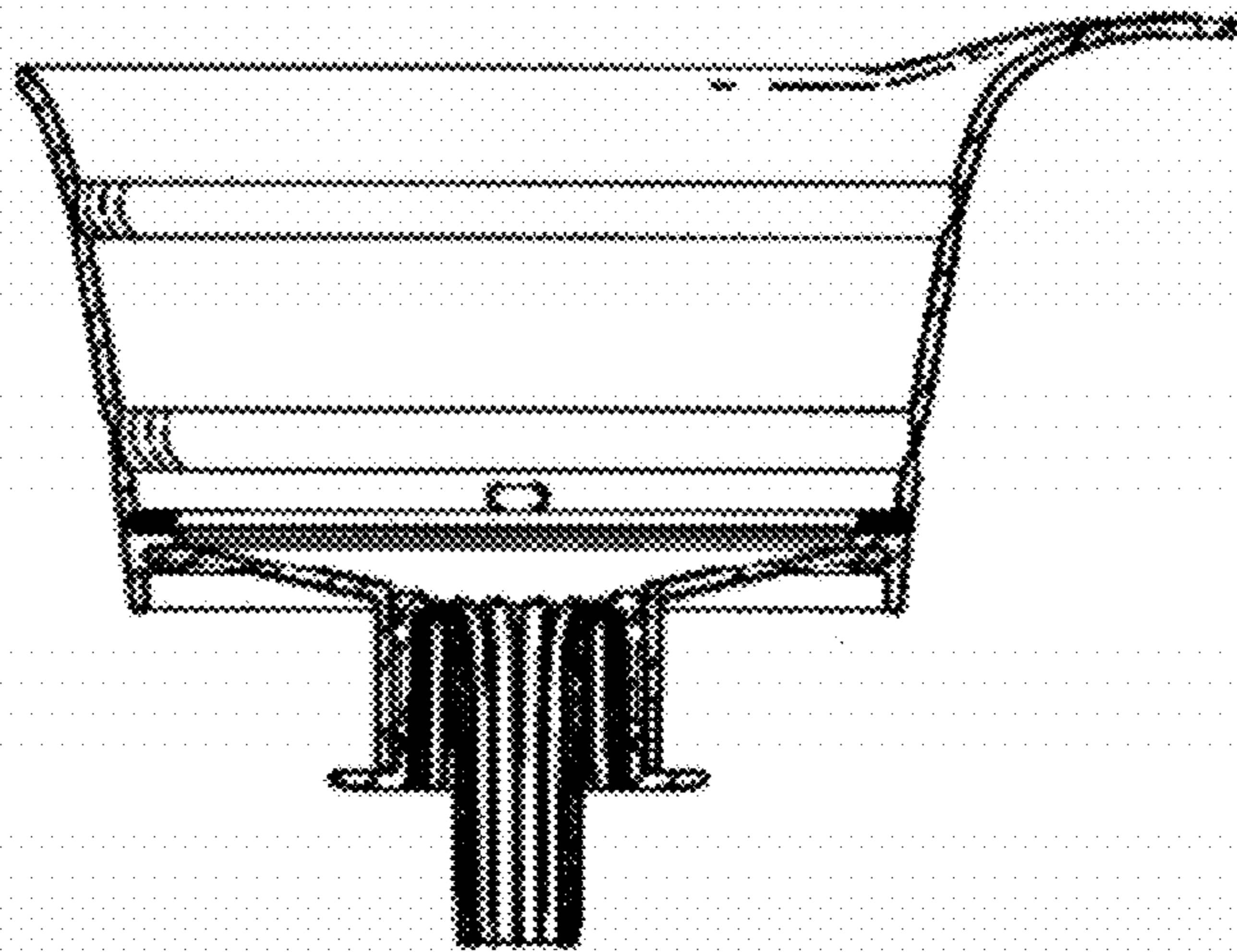


*Fig. 3*

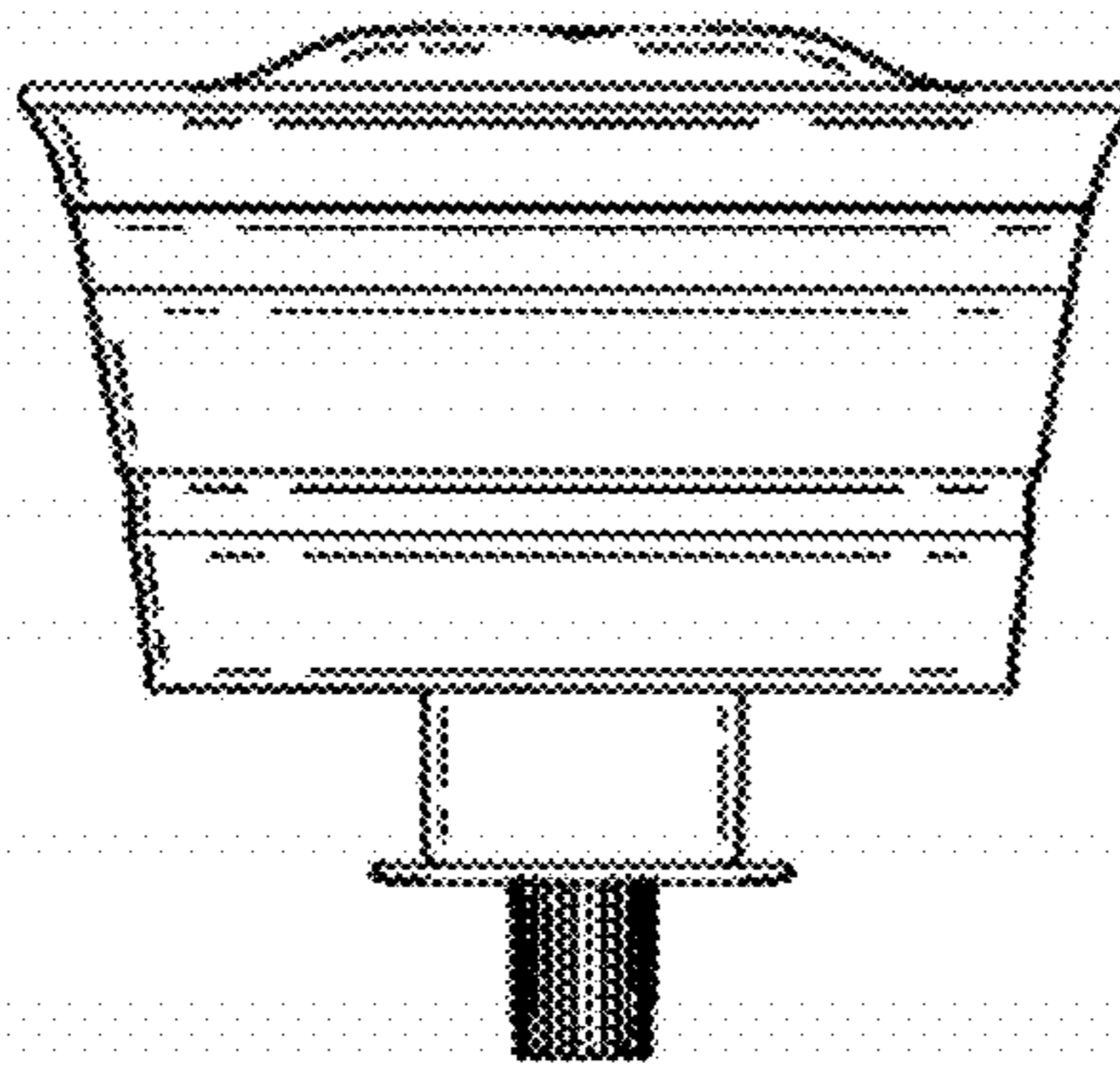


*Fig. 4*

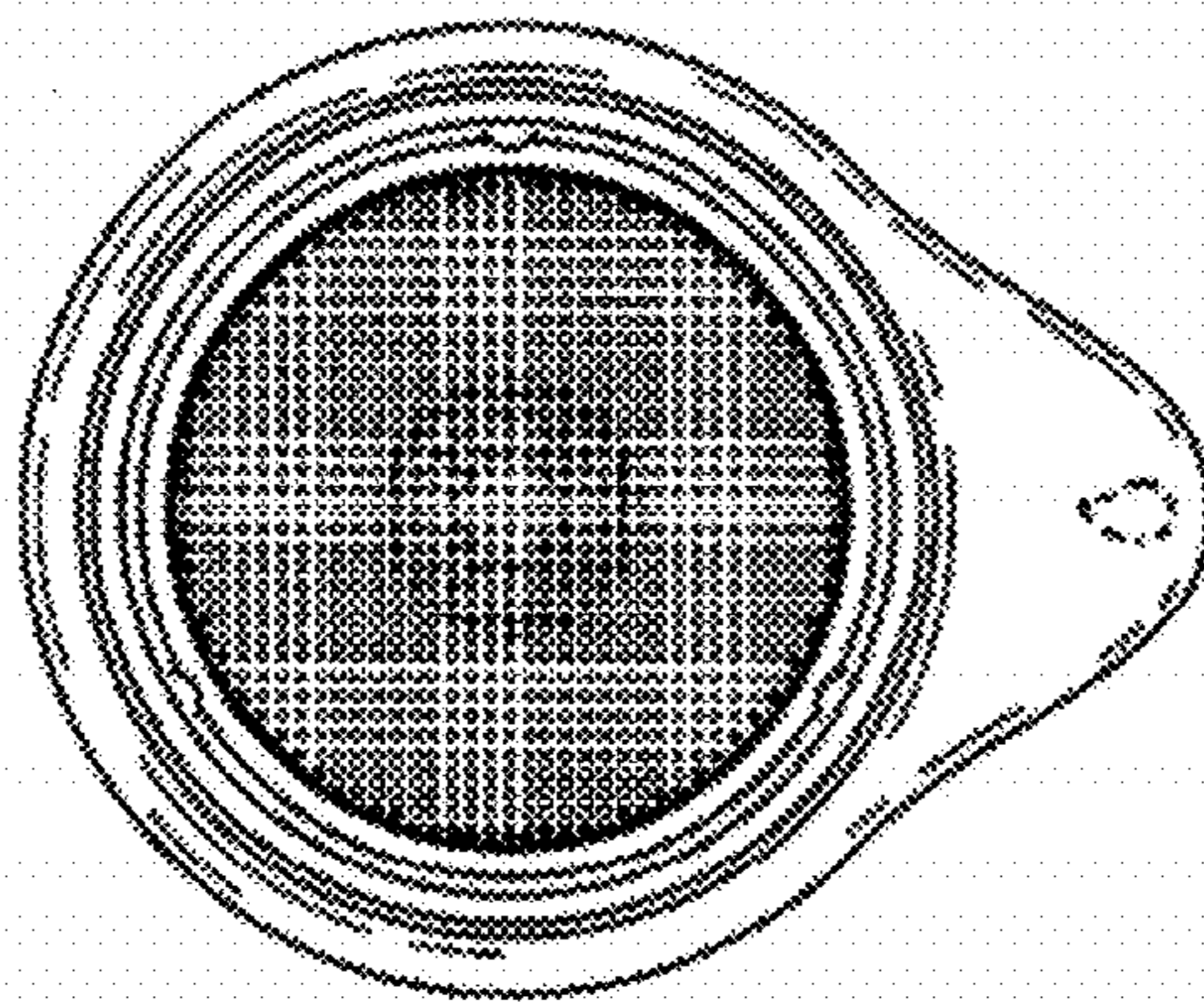




*Fig. 5*

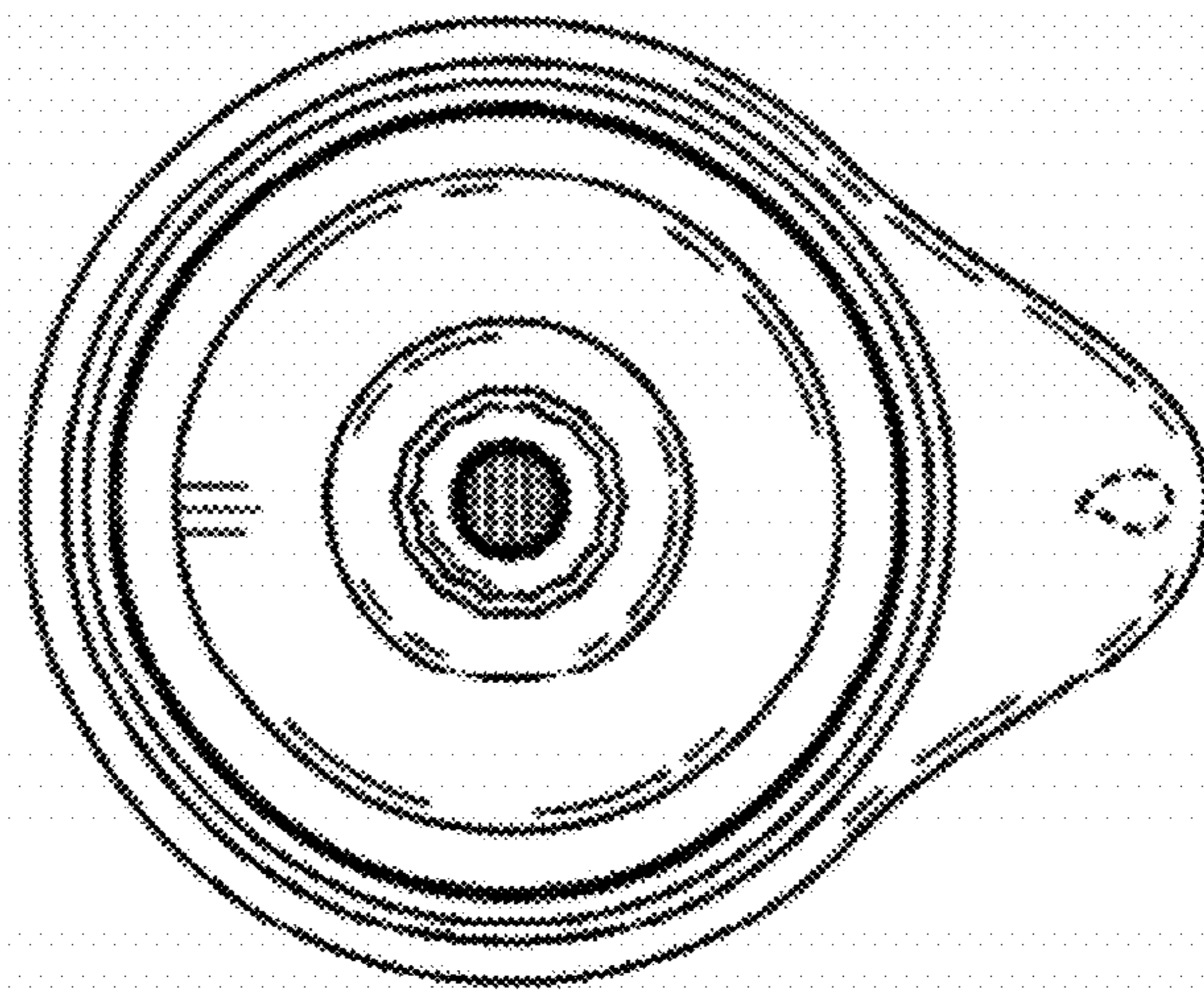


*Fig. 6*



*Fig. 7*





*Fig. 8*