



US00D671375S

(12) **United States Design Patent**
Cloutier et al.

(10) **Patent No.:** **US D671,375 S**

(45) **Date of Patent:** **** Nov. 27, 2012**

(54) **GRAVY PITCHER**

(75) Inventors: **Andre Dean Cloutier**, Blaine, WA (US);
Debra Lynne Sasken-Duff, Blaine, WA
(US); **Adriana Phillips**, Bellingham,
WA (US)

(73) Assignee: **Magellan Group, Ltd.**, Blaine, WA
(US)

(**) Term: **14 Years**

(21) Appl. No.: **29/391,481**

(22) Filed: **May 9, 2011**

(51) **LOC (9) Cl.** **07-04**

(52) **U.S. Cl.** **D7/668**

(58) **Field of Classification Search** D7/665-668;
99/495; 210/514, 533, 517, 469, 472, 94;
141/340, 331, 363, 364, 375, 98; 222/510,
222/533, 512, 481, 184

See application file for complete search history.

(56) **References Cited**

U.S. PATENT DOCUMENTS

2,583,335 A * 1/1952 Jepson 222/510
2,765,105 A * 10/1956 Sullivan 222/510

2,799,437 A * 7/1957 Jepson 222/481
3,865,023 A * 2/1975 Halvorsen 99/495
4,099,654 A * 7/1978 Antolino 222/184
4,464,265 A * 8/1984 Joyner 210/517
4,934,420 A * 6/1990 Radna 141/340

* cited by examiner

Primary Examiner — Terry Wallace

(74) *Attorney, Agent, or Firm* — Dwayne E. Rogge; Schacht
Law Office, Inc.

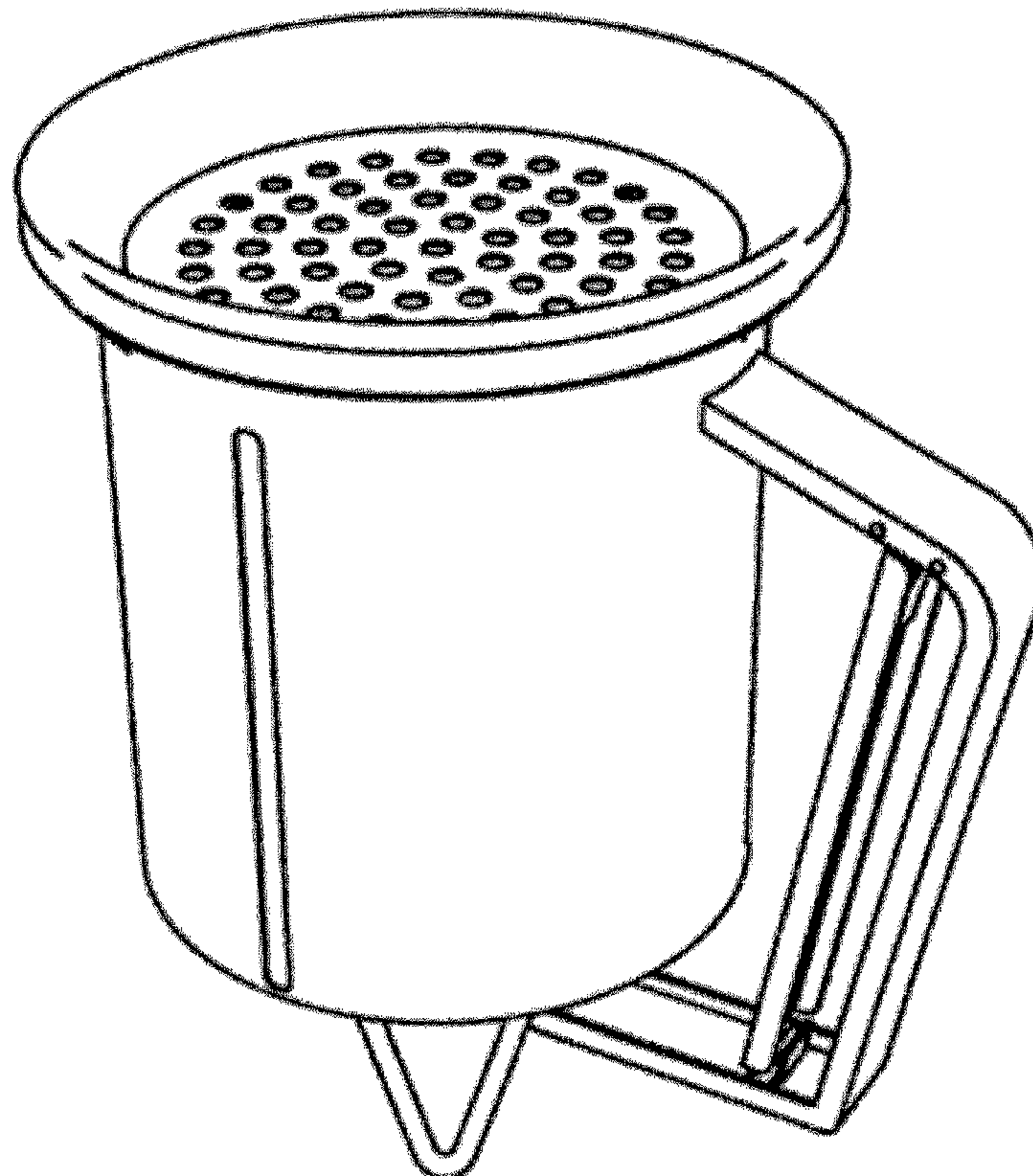
(57) **CLAIM**

The ornamental design for a gravy pitcher, as shown.

DESCRIPTION

FIG. 1 is a perspective view thereof.
FIG. 2 is a perspective exploded view thereof.
FIG. 3 is a right side view thereof.
FIG. 4 is a right side exploded view thereof.
FIG. 5 is a left side view thereof.
FIG. 6 is a rear view thereof.
FIG. 7 is a front view thereof.
FIG. 8 is a top view thereof; and,
FIG. 9 is a bottom view thereof.

1 Claim, 9 Drawing Sheets



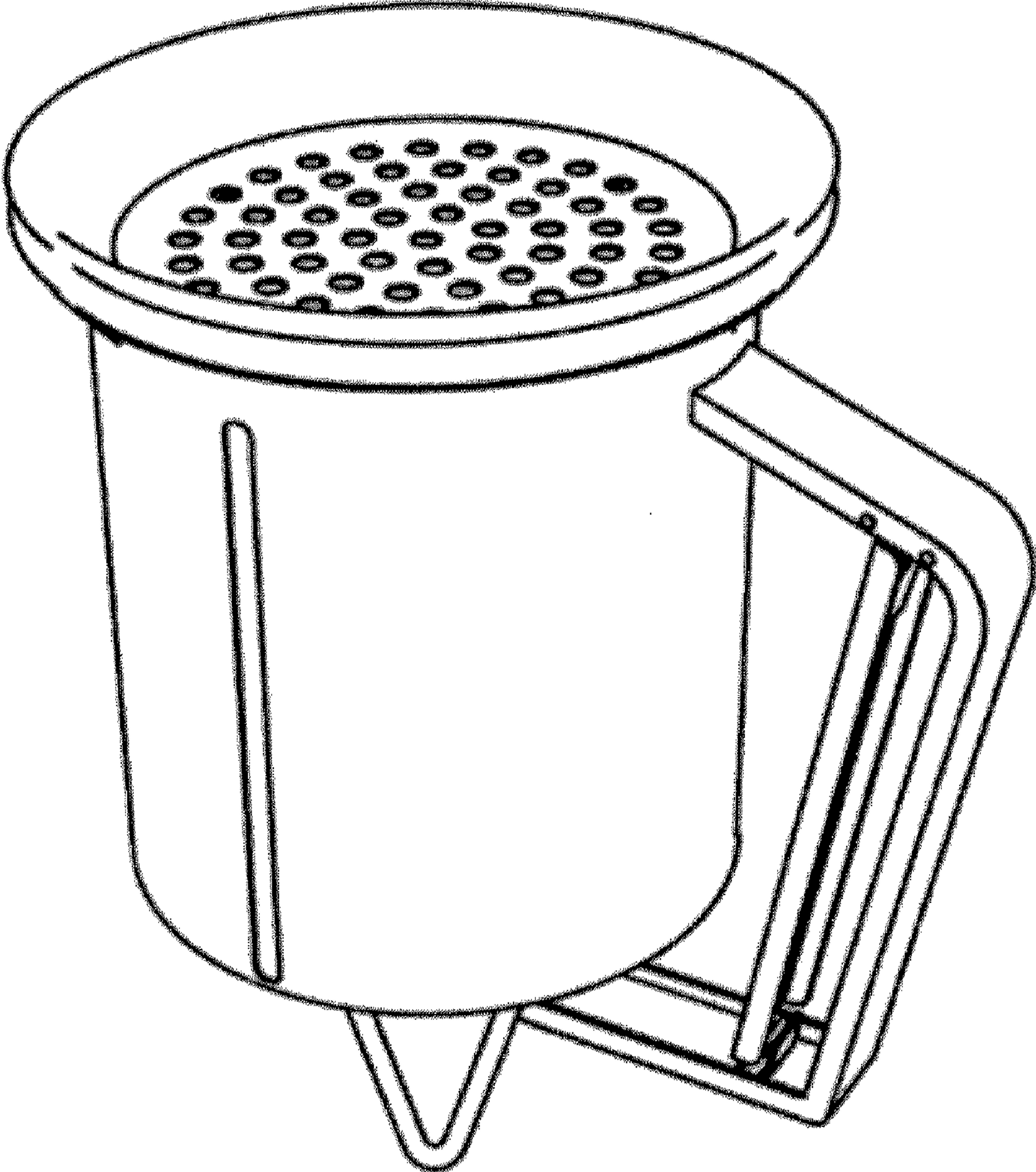


Fig. 1

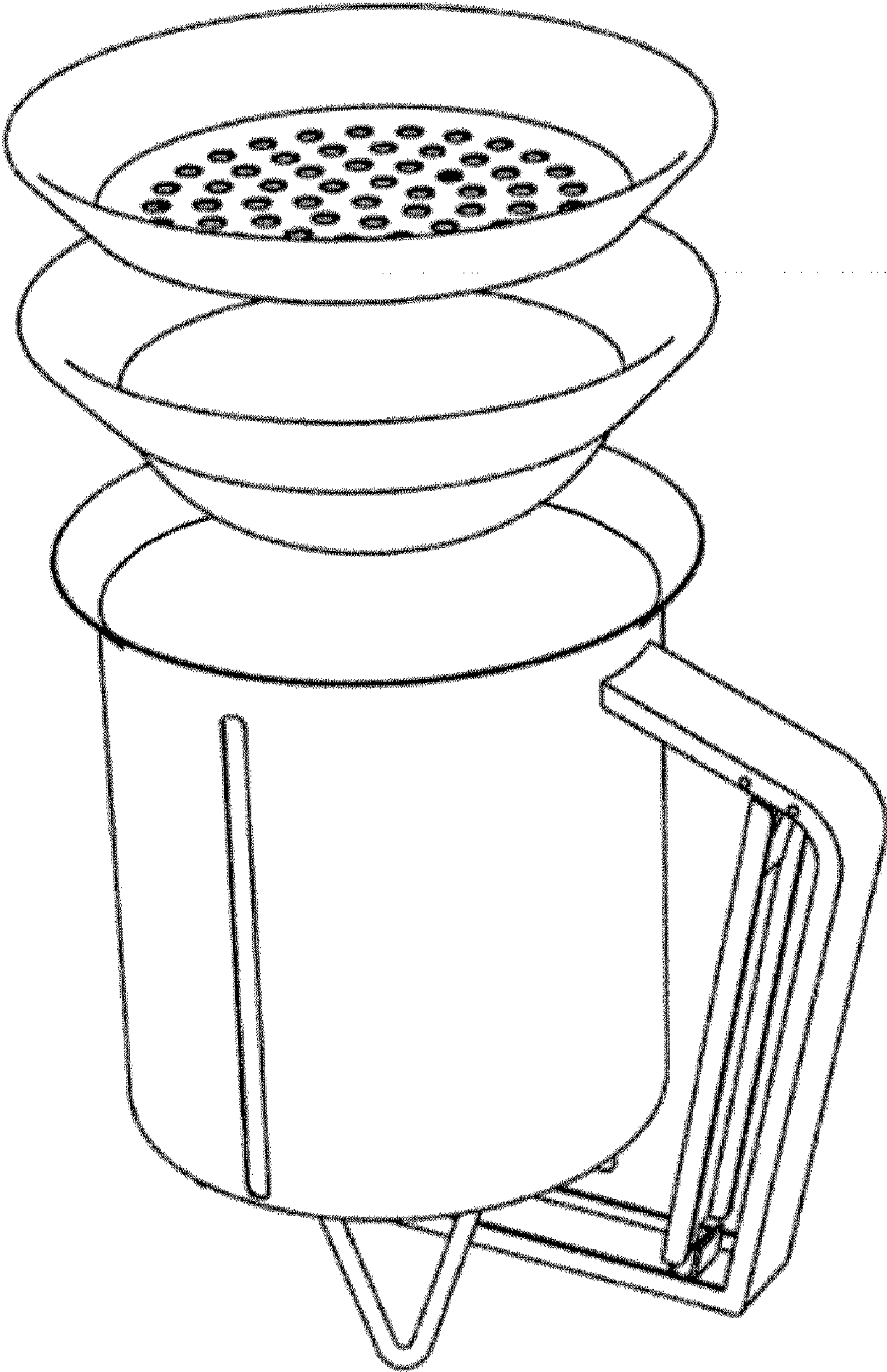


Fig. 2

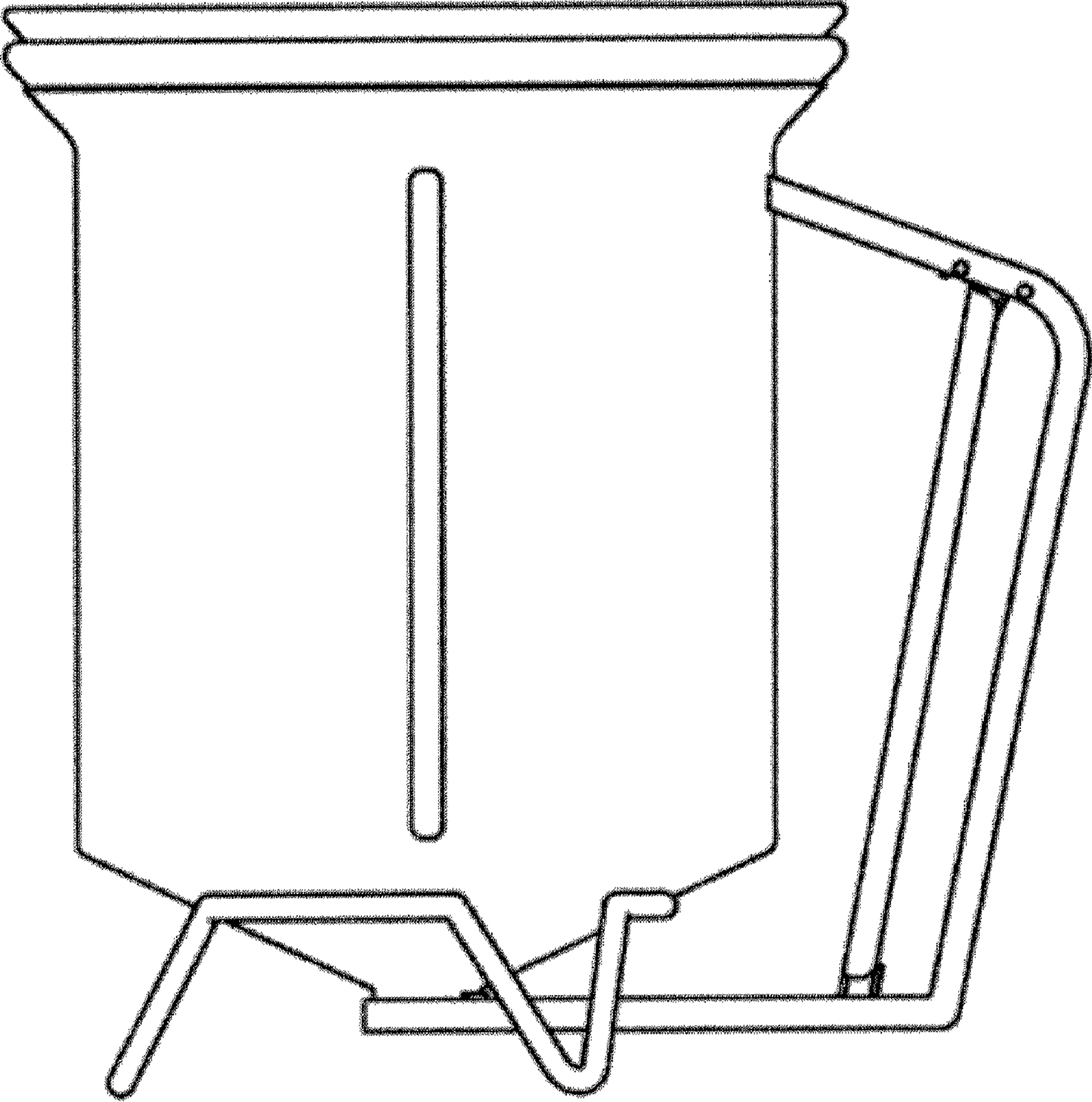


Fig. 3

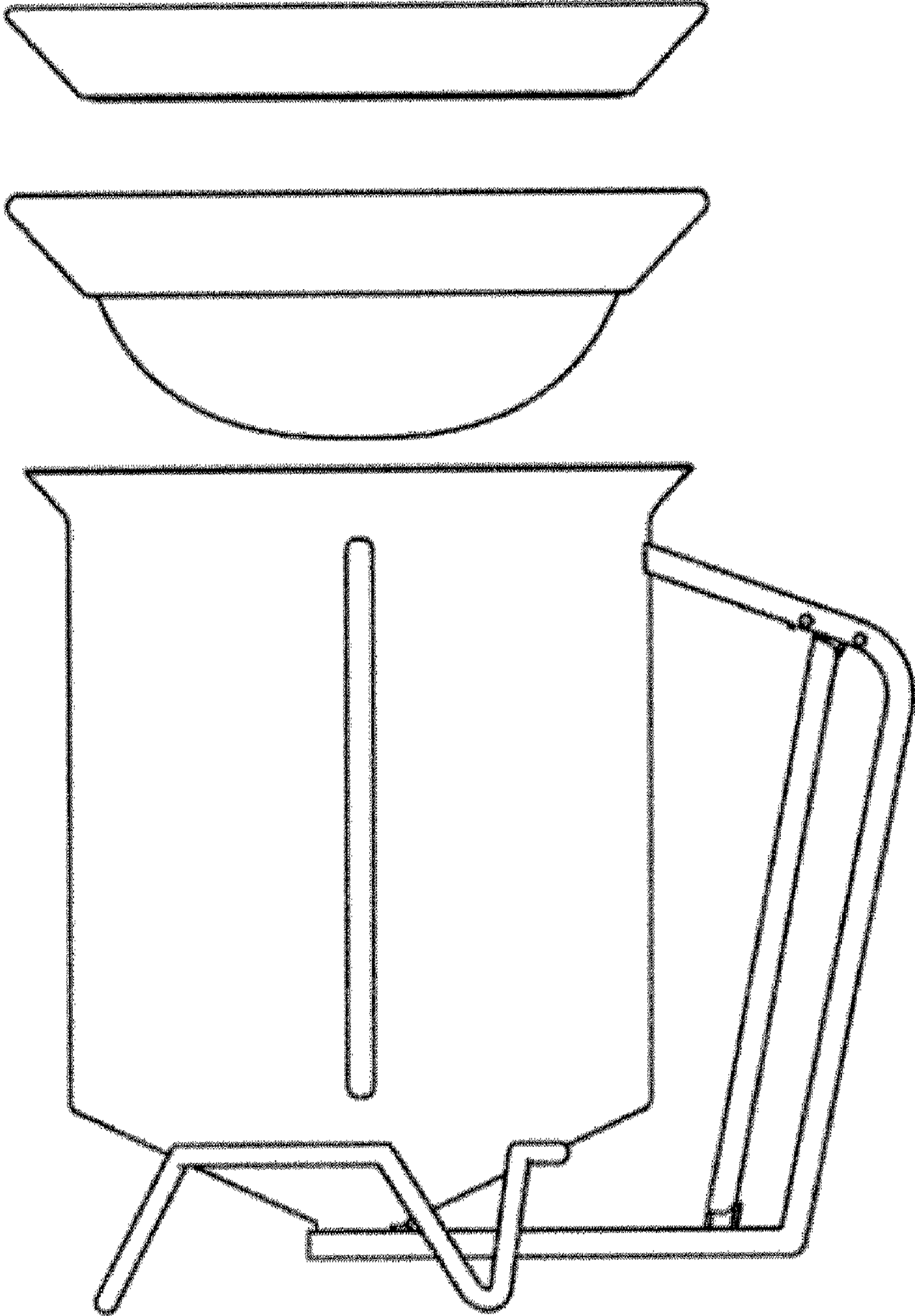


Fig. 4

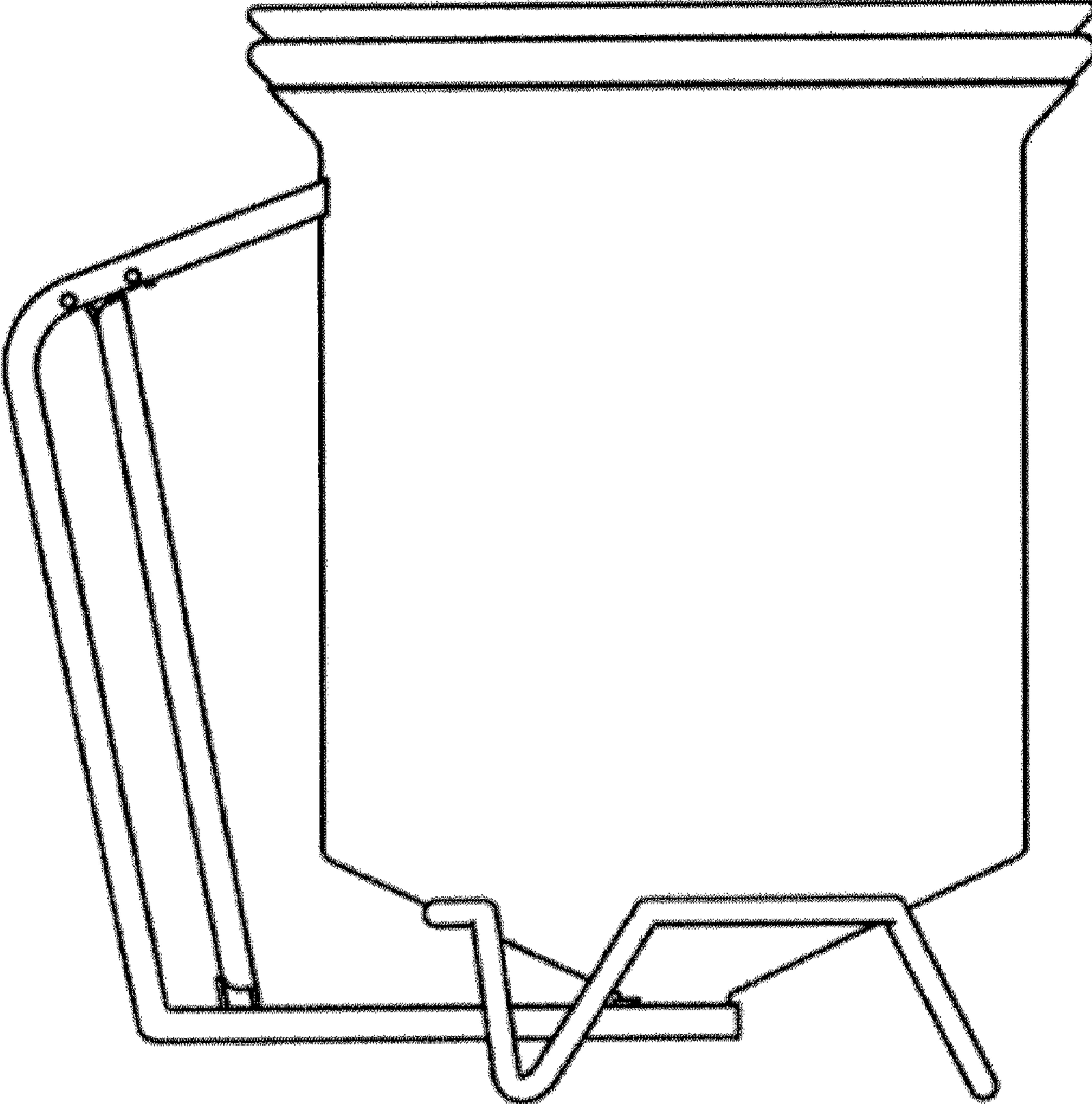


Fig. 5

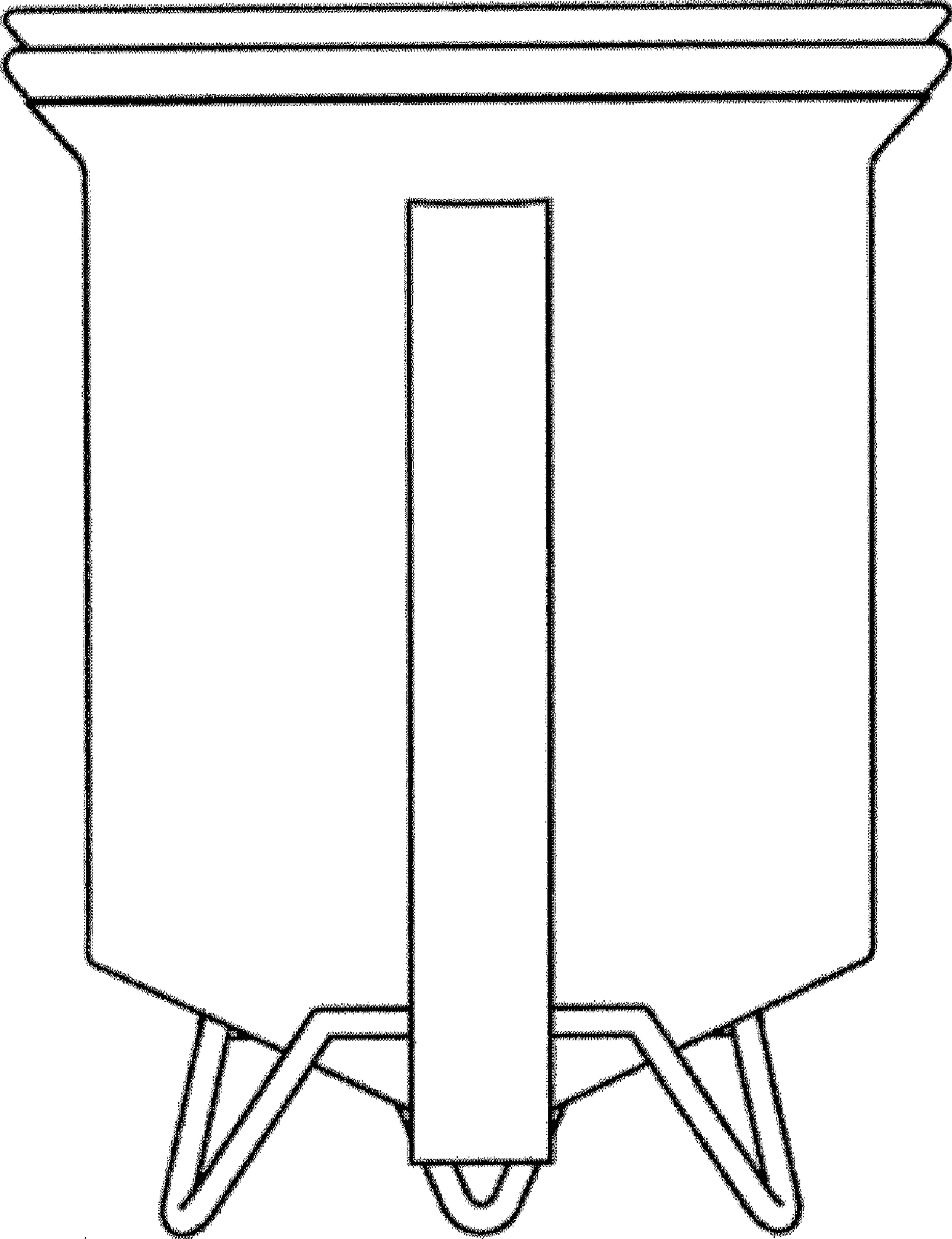


Fig. 6

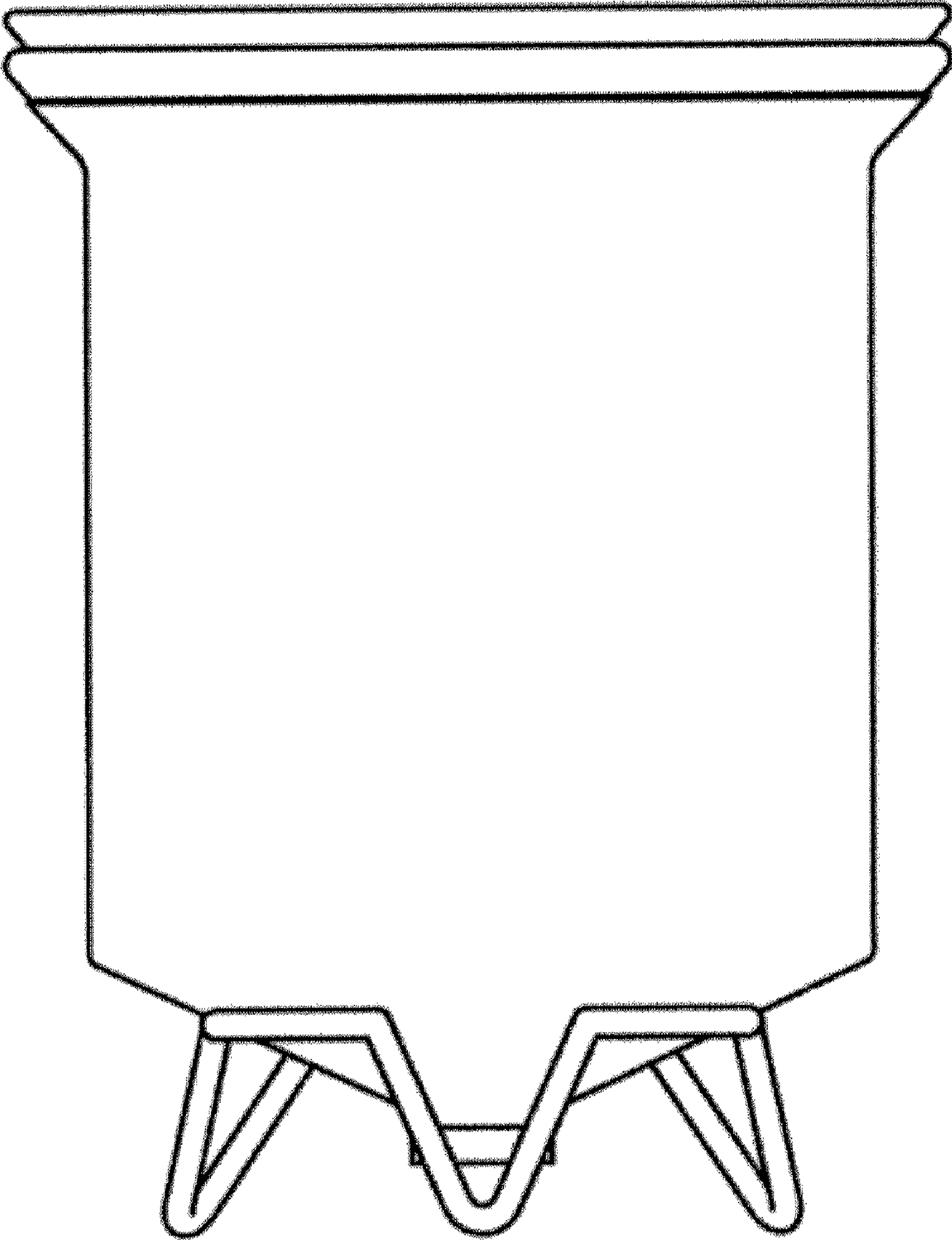


Fig. 7

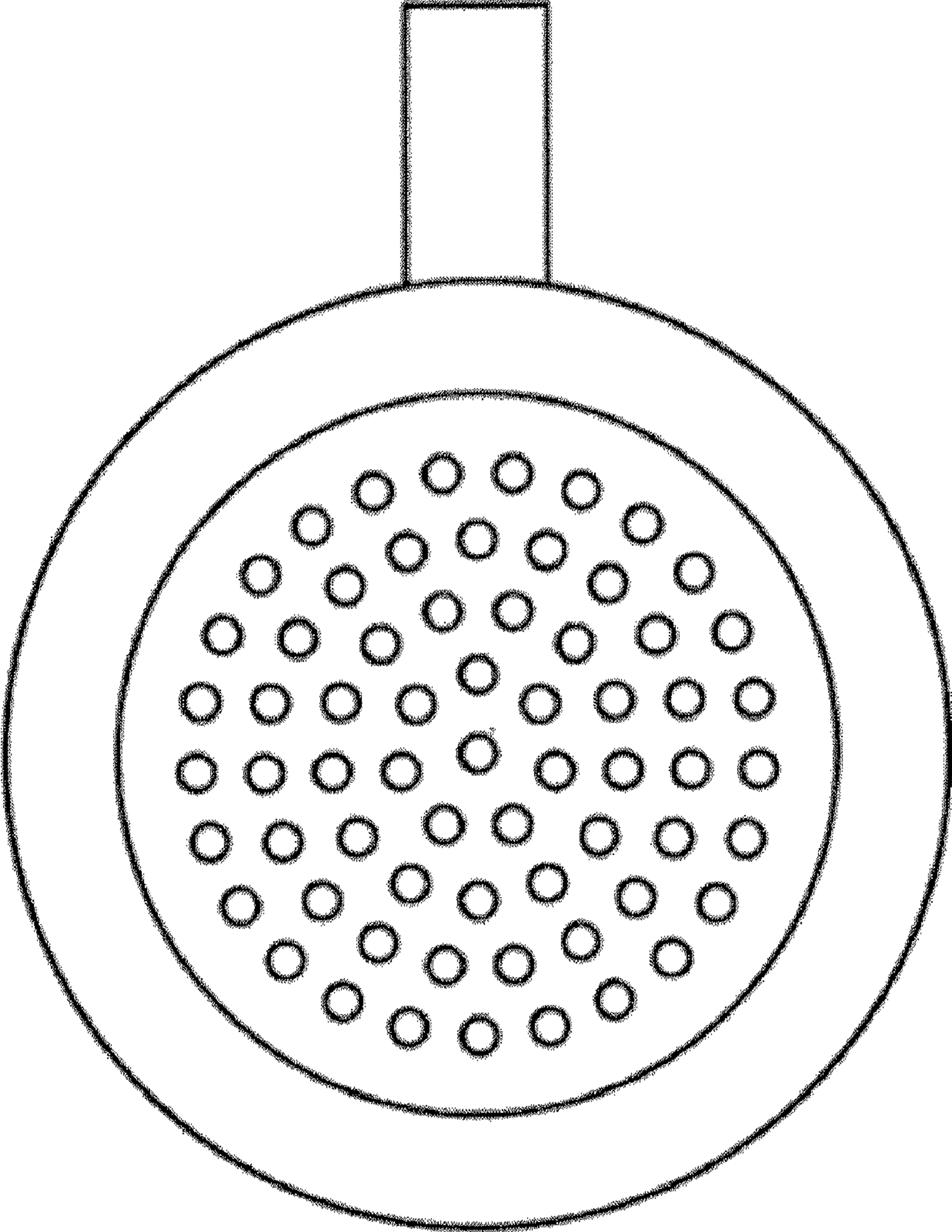


Fig. 8

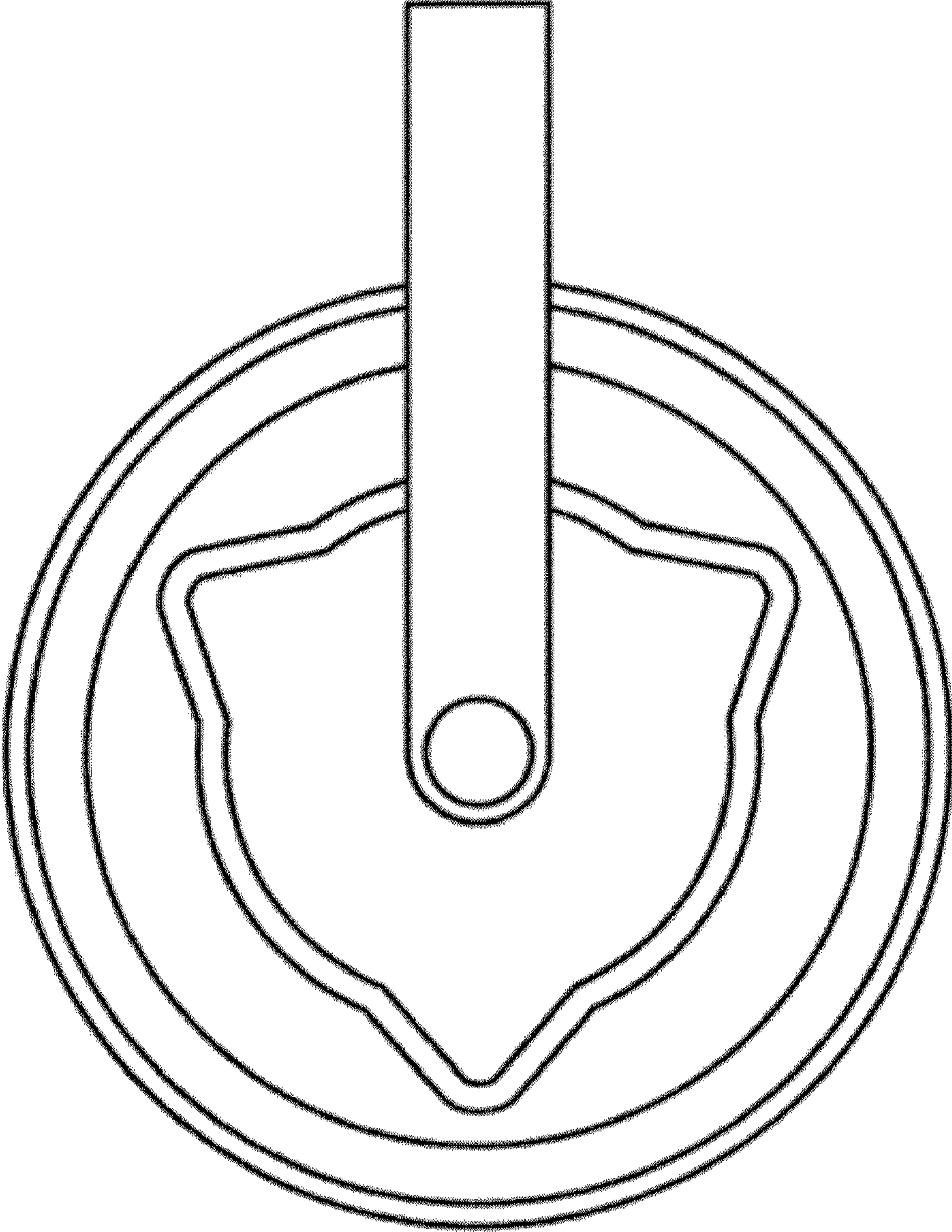


Fig. 9