



US00D671374S

(12) **United States Design Patent**
Piacenza et al.

(10) **Patent No.:** **US D671,374 S**

(45) **Date of Patent:** **** Nov. 27, 2012**

(54) **SALAMI SAVER**

(56) **References Cited**

(76) Inventors: **Raffaele Piacenza**, Cornegliano
Laudense (IT); **Alessandro Piacenza**,
Cornegliano Laudense (IT)

U.S. PATENT DOCUMENTS

D300,102 S *	3/1989	Morin	D7/629
D486,995 S *	2/2004	Liu	D7/502
D491,805 S *	6/2004	Loth et al.	D9/422
D550,210 S *	9/2007	Polany et al.	D14/217
D551,516 S *	9/2007	Kortleven	D7/629
D577,261 S *	9/2008	Wang	D7/629

(**) **Term:** **14 Years**

* cited by examiner

(21) **Appl. No.:** **29/415,321**

Primary Examiner — Terry Wallace

(22) **Filed:** **Mar. 9, 2012**

(74) *Attorney, Agent, or Firm* — Themis Law

(30) **Foreign Application Priority Data**

(57) **CLAIM**

The ornamental design for a salami saver, as shown.

Jan. 30, 2012 (EM) 001982984-0006

DESCRIPTION

(51) **LOC (9) Cl.** **07-07**

FIG. 1 is a perspective view of a salami saver showing our new design;

(52) **U.S. Cl.** **D7/629**

FIG. 2 is a left side elevational view thereof;

(58) **Field of Classification Search** D7/601,

FIG. 3 is a right side elevational view thereof;

D7/602, 629, 630, 538–542, 612–615; D9/424,

FIG. 4 is a top plan view thereof;

D9/426; 220/574–575, 780–806, 4.21, 4.24,

FIG. 5 is a bottom plan view thereof;

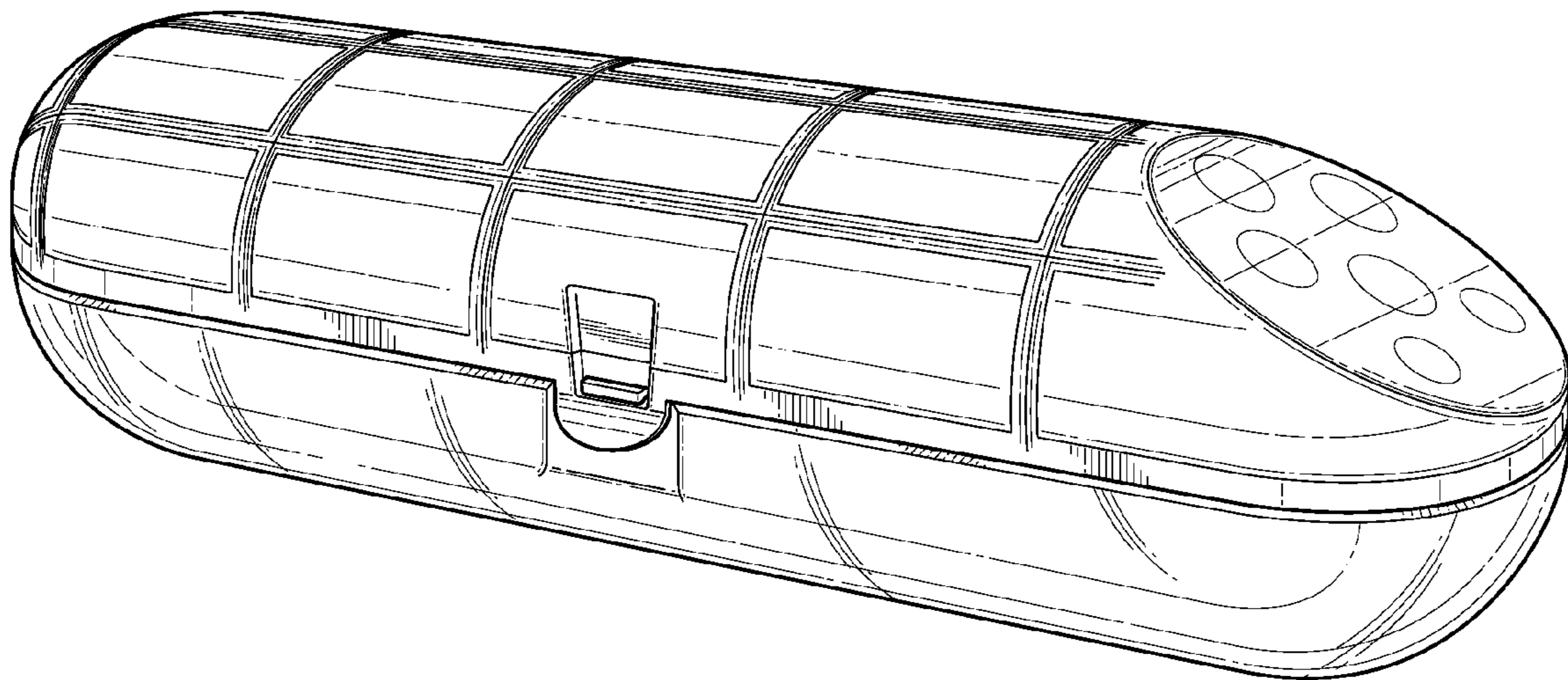
220/675; D3/201–206, 273, 274

FIG. 6 is a rear elevational view thereof; and,

See application file for complete search history.

FIG. 7 is a front elevational view thereof.

1 Claim, 4 Drawing Sheets



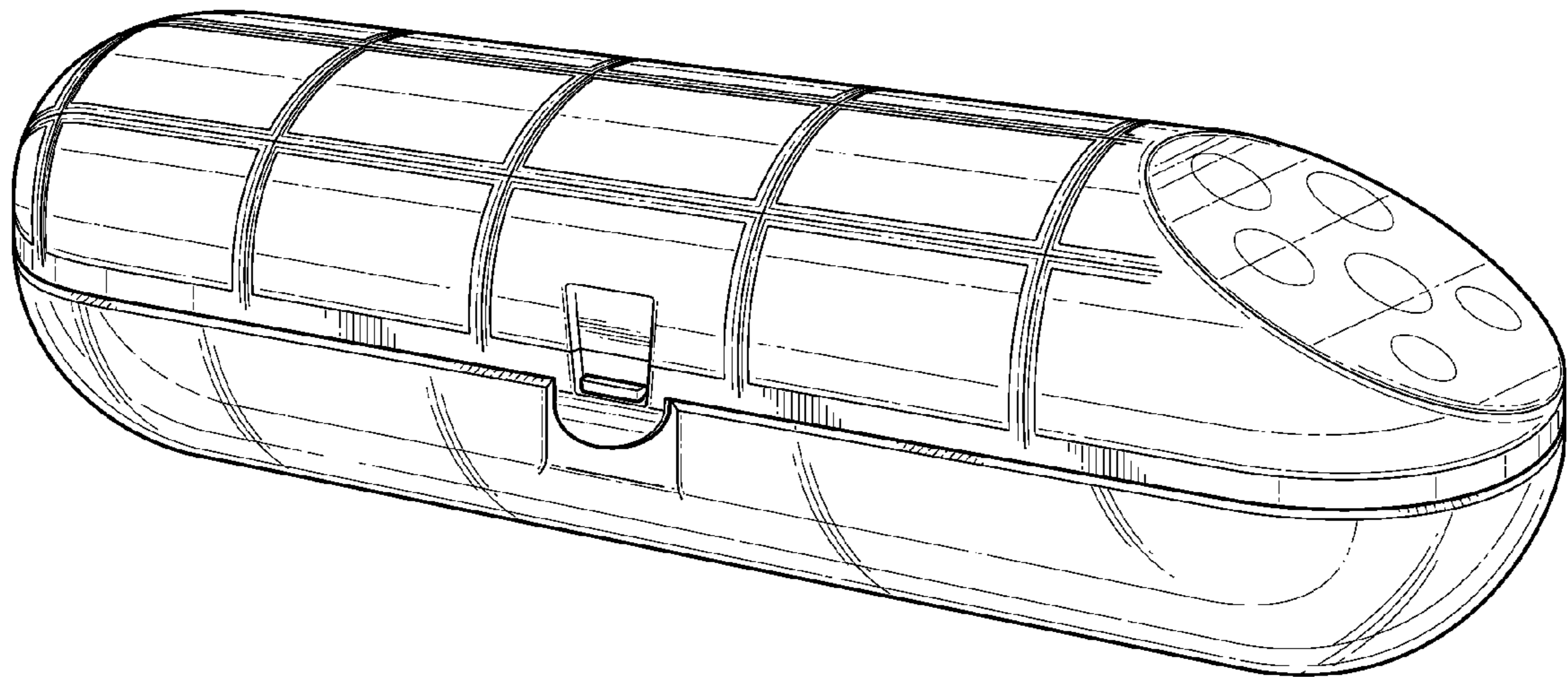


FIG. 1

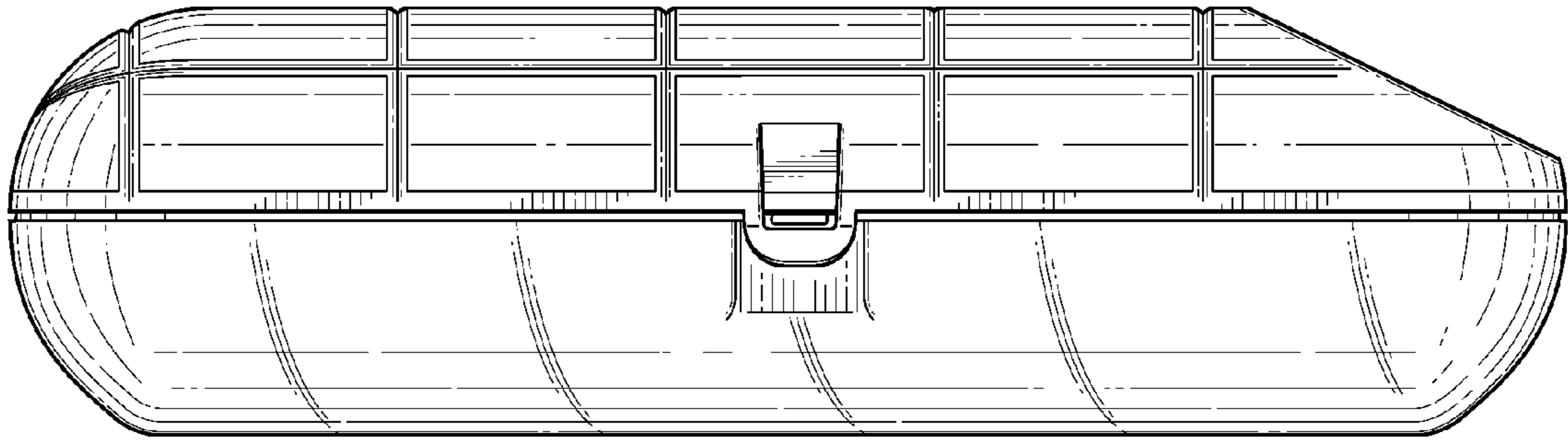


FIG. 2

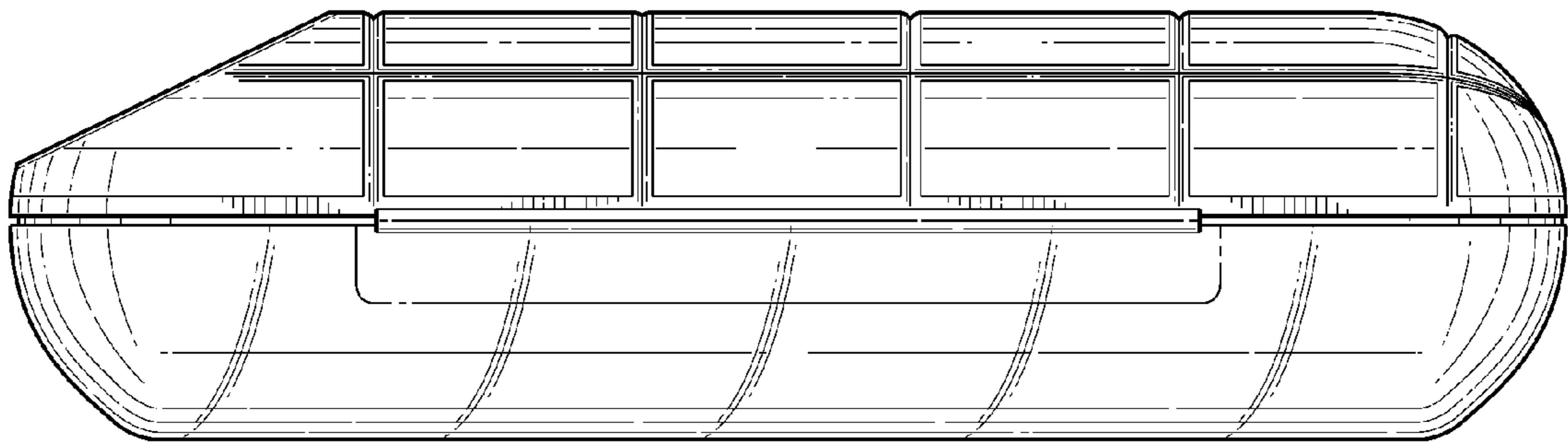


FIG. 3

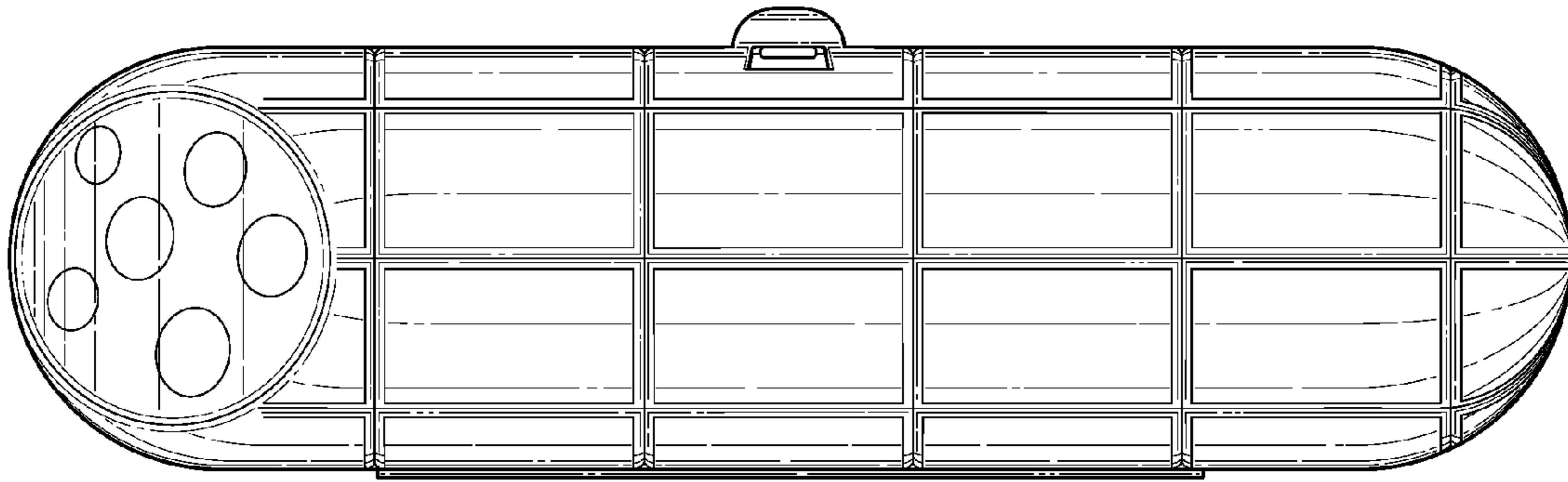


FIG. 4

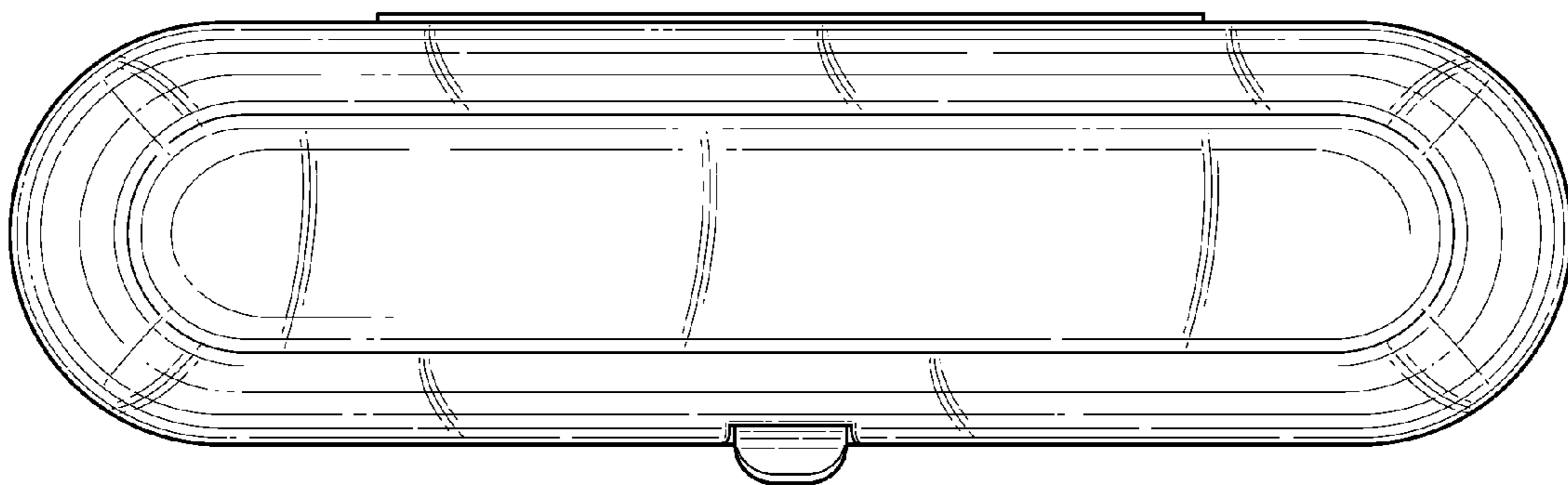


FIG. 5

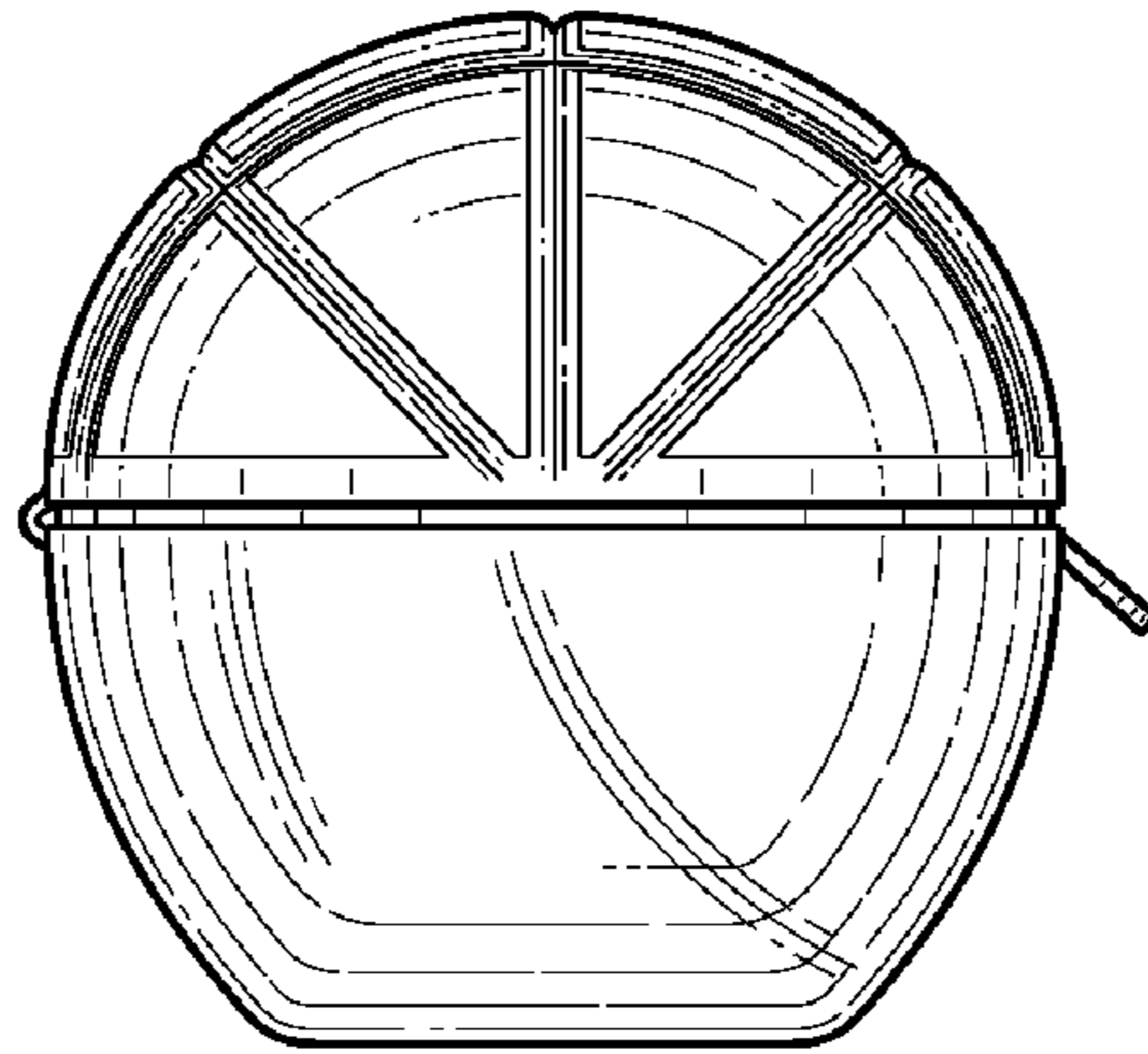


FIG. 6

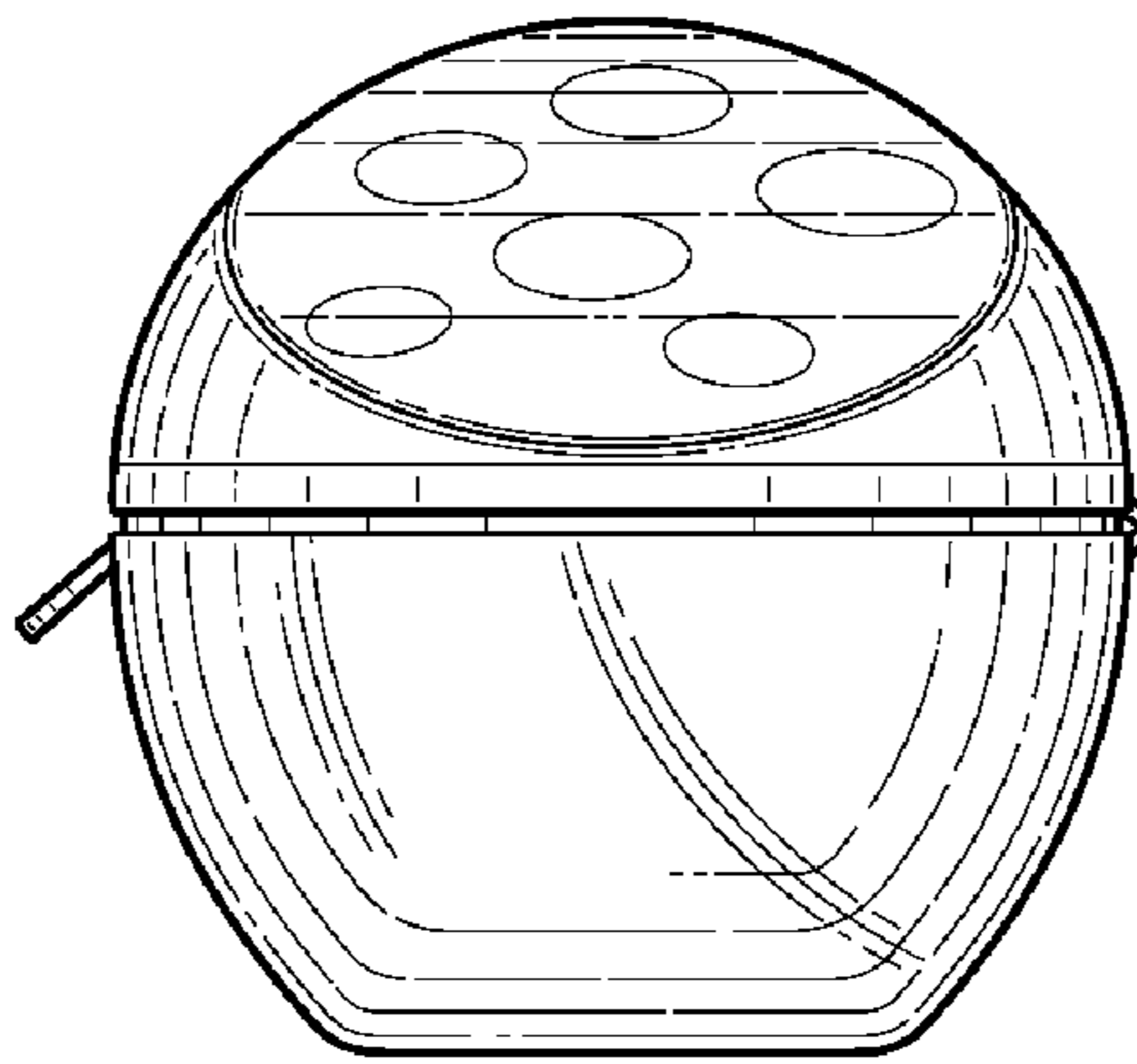


FIG. 7