



US00D671368S

(12) **United States Design Patent**
Stewart et al.

(10) **Patent No.:** **US D671,368 S**

(45) **Date of Patent:** **** Nov. 27, 2012**

(54) **ATTACHABLE PEDESTAL**

(76) Inventors: **Anna M. Stewart**, Naples, NY (US);
Stephen Kraigh Stewart, Naples, NY
(US)

(**) Term: **14 Years**

(21) Appl. No.: **29/357,579**

(22) Filed: **Mar. 14, 2010**

(51) **LOC (9) Cl.** **07-01**

(52) **U.S. Cl.** **D7/558**

(58) **Field of Classification Search** D7/500,
D7/501, 550.1, 552.1, 552.2, 554.1, 554.2,
D7/554.4, 558, 584, 601, 602, 610, 630, 388;
211/13.1, 85.4, 41.1, 41.2, 41.7, 126.1, 133.1,
211/133.4, 175; 248/688, 127, 346.01, 346.03,
248/150, 149, 151; D6/349

See application file for complete search history.

D240,343 S *	6/1976	Plessinger	D6/486
D272,212 S *	1/1984	Daenen et al.	D7/505
D272,215 S *	1/1984	Daenen et al.	D7/558
D272,221 S *	1/1984	Daenen et al.	D7/630
D283,856 S *	5/1986	Elmaleh	D6/349
D391,807 S *	3/1998	Trullas	D7/601
5,894,944 A *	4/1999	Swift	211/78
D441,258 S *	5/2001	Spiegelman	D7/558
D450,375 S *	11/2001	Beichner	D23/304
D460,641 S *	7/2002	O'Hare et al.	D6/495
D491,015 S *	6/2004	Tse	D7/388
6,971,613 B2 *	12/2005	Shendelman	248/150
D593,778 S *	6/2009	Muhich	D6/495
7,871,653 B2 *	1/2011	Lin	426/115

* cited by examiner

Primary Examiner — Elizabeth J Oswecki

(74) *Attorney, Agent, or Firm* — Smith Risley Tempel
Santos LLC; Gregory Scott Smith

(57) **CLAIM**

The ornamental design for an attachable pedestal, as shown
and described.

(56) **References Cited**

U.S. PATENT DOCUMENTS

145,145 A *	12/1873	Baggs	108/150
D38,140 S *	7/1906	Paurowicz	D7/558
D38,697 S *	7/1907	Straker	D7/630
D45,607 S *	4/1914	Sweers	D7/630
D47,785 S *	9/1915	Grasberger	D7/630
1,214,906 A *	2/1917	Farmer	248/146
D70,029 S *	4/1926	Potts	D7/558
D71,884 S *	1/1927	Potts	D7/630
D80,776 S *	3/1930	Nias	D7/630
D102,967 S *	1/1937	Carew	D7/501
D152,574 S *	2/1949	Daum	D7/630
D192,550 S *	4/1962	Turner	D7/366
D195,475 S *	6/1963	Wright	D7/630
D219,490 S *	12/1970	Swett	D6/486

DESCRIPTION

FIG. 1 is a side, top perspective view of an an attachable
pedestal showing our new design;

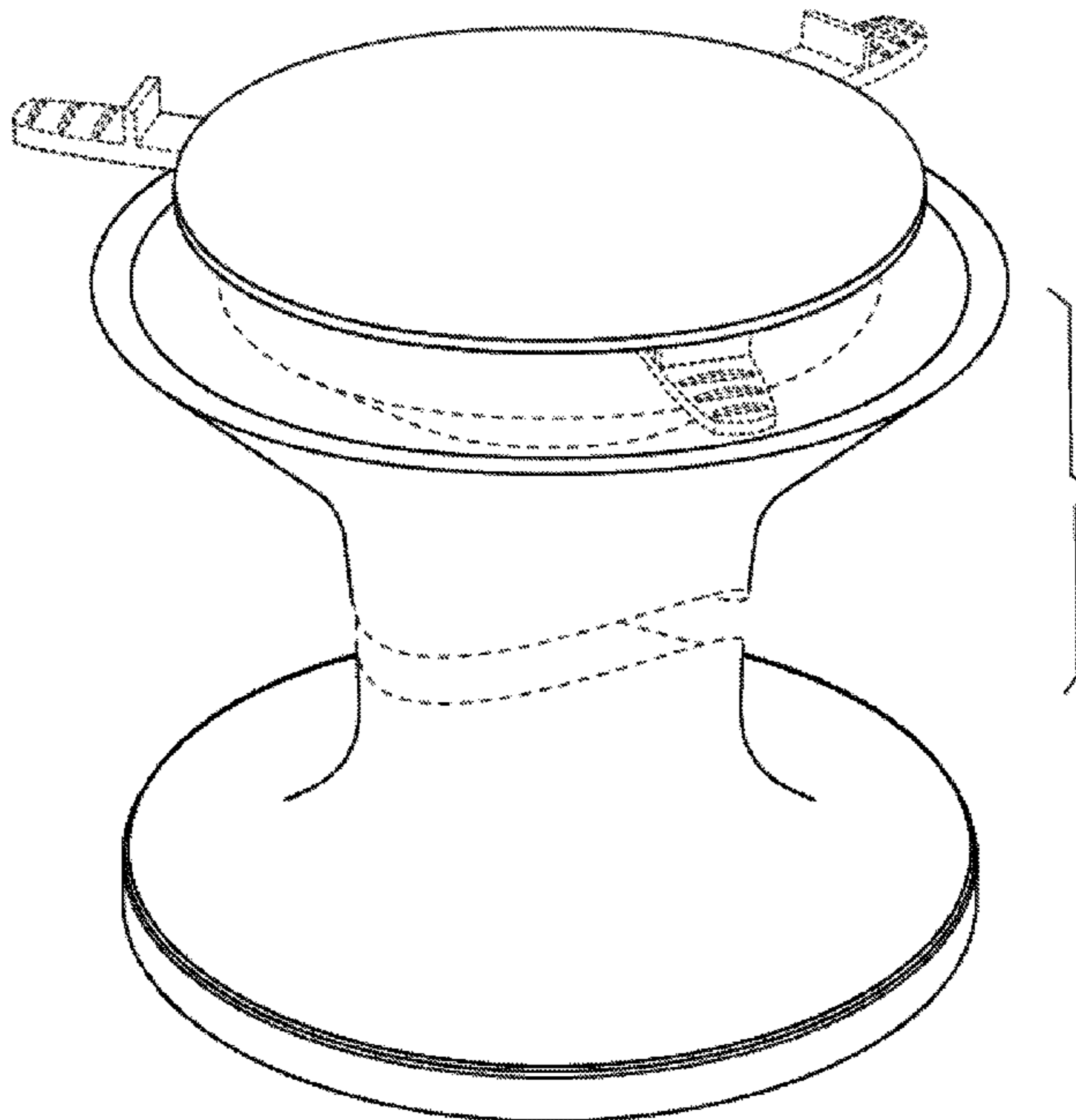
FIG. 2 is a top plan view thereof, the bottom plan view of
which is not claimed; and,

FIG. 3 is a side elevation view thereof.

In the drawings, the broken lines in FIGS. 1-3 depict portions
of the design that form no part of the claim. The broken swirl
lines appearing on the step of the pedestal in FIG. 1 and FIG.
3 indicate indeterminate length and the claim only covers up
to the broken swirl lines.

All surfaces not shown form no part of the claimed design.

1 Claim, 2 Drawing Sheets



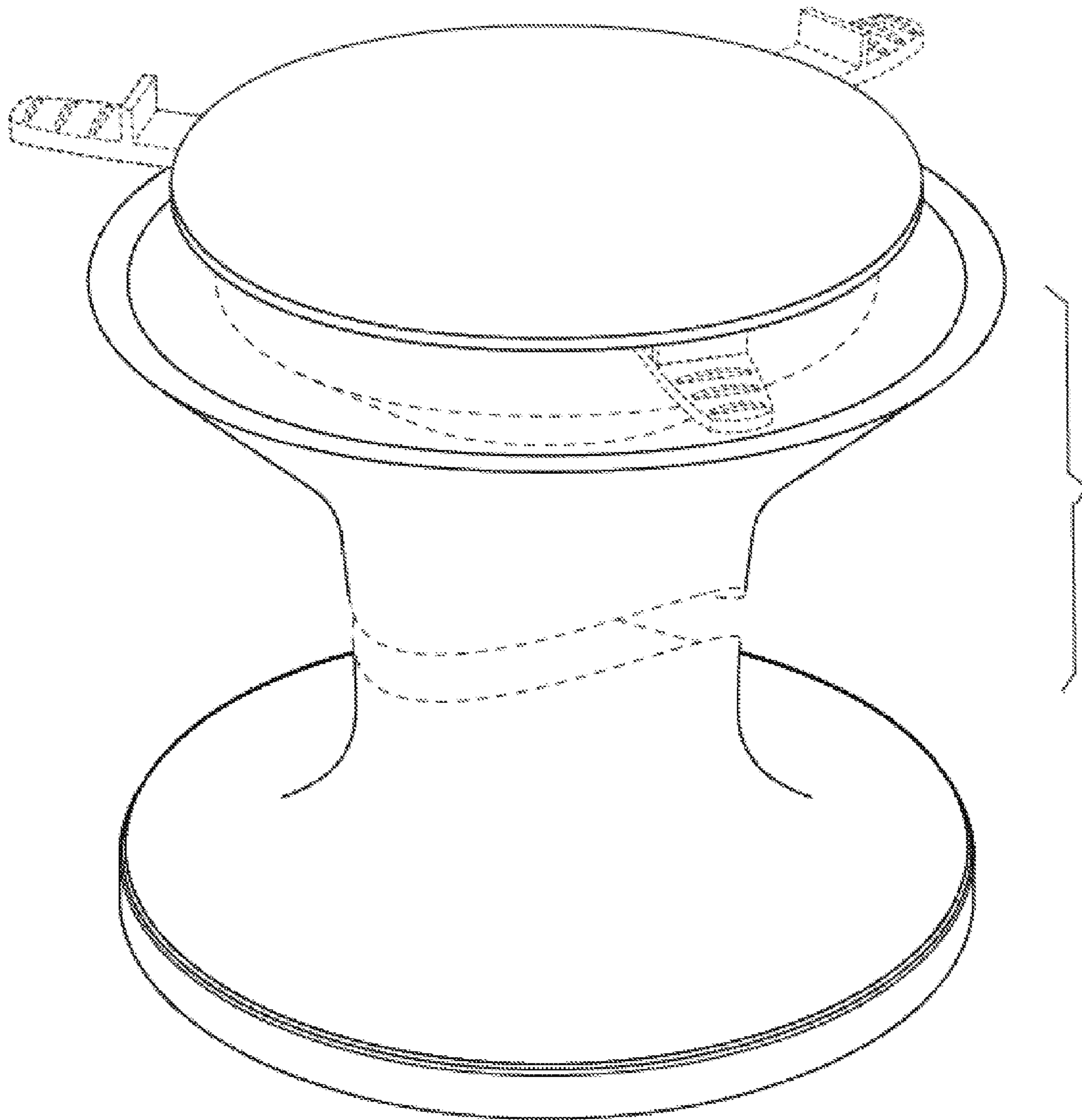


FIG. 1

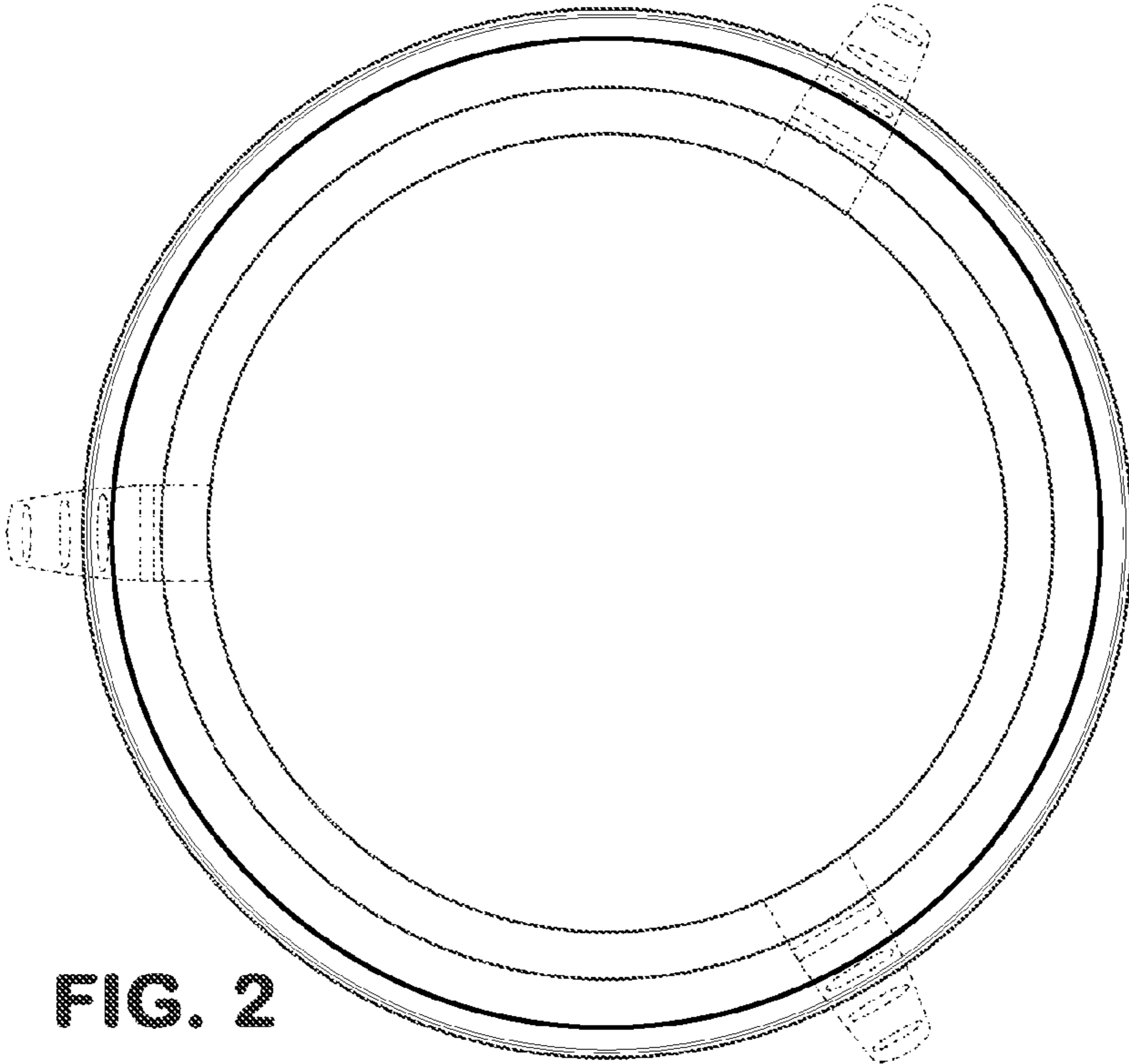


FIG. 2

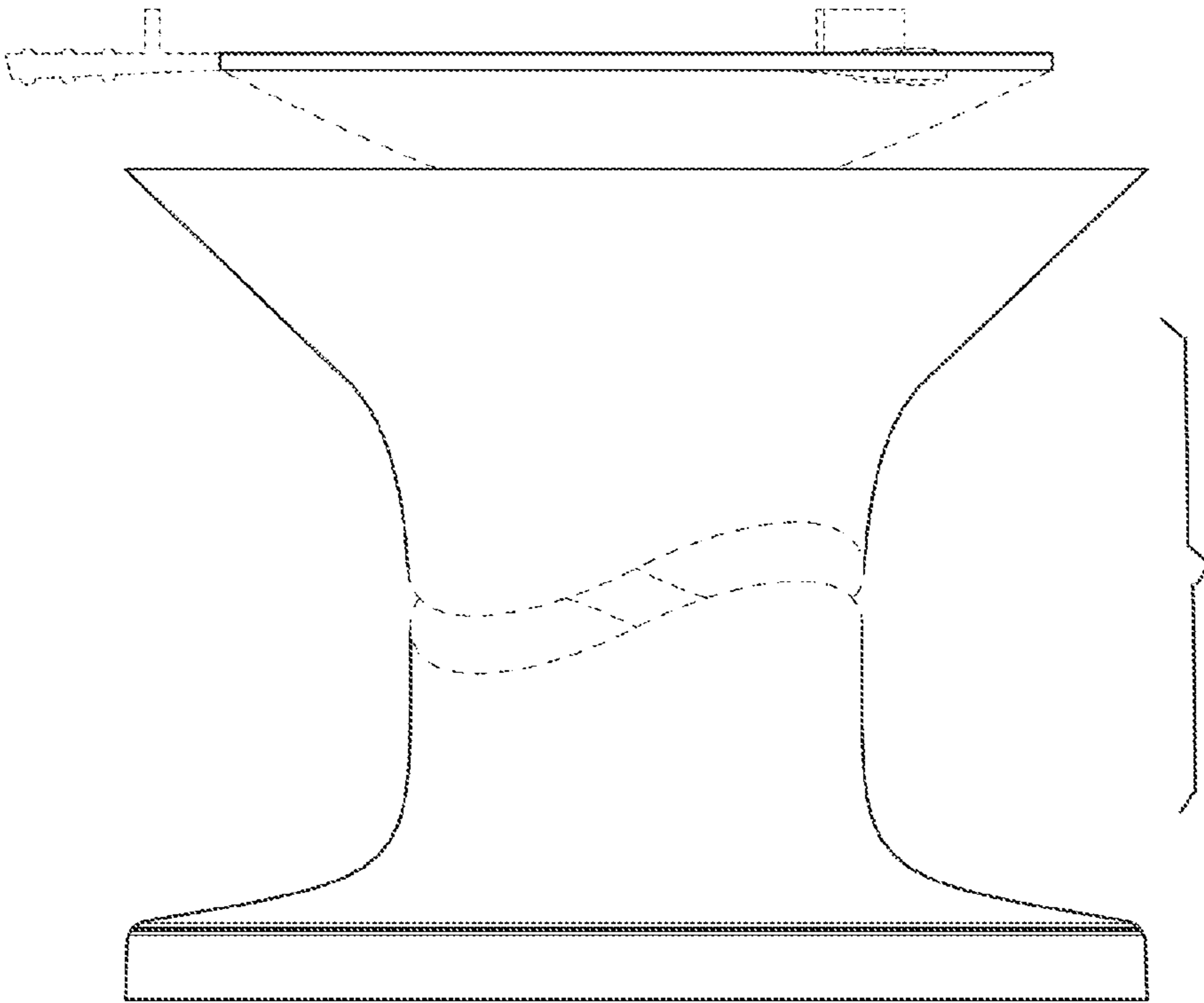


FIG. 3