



US00D671364S

(12) **United States Design Patent**  
**Parel et al.**

(10) **Patent No.:** **US D671,364 S**  
(45) **Date of Patent:** **\*\* Nov. 27, 2012**

- (54) **PORTION OF A GRILL**
- (75) Inventors: **Thomas Parel**, Anderson, SC (US); **Zach Scott**, Easley, SC (US); **Scott Kippes**, Anderson, SC (US); **Adam Clark**, Anderson, SC (US)
- (73) Assignee: **Techtronic Power Tools Technology Limited**, Tortola (VG)

- 1,245,174 A 11/1917 Bacik
- 1,248,391 A 11/1917 Pentony
- 1,648,789 A 11/1927 Stockstrom
- 2,092,198 A 9/1937 Anderson
- 2,120,683 A 6/1938 Simmons
- 2,162,961 A 6/1939 Mattoon
- 2,262,273 A 11/1941 Ferrara
- 2,712,151 A 7/1955 Becht
- 2,808,284 A 10/1957 Rasmussen
- 3,209,743 A 10/1965 Stewar et al.

(Continued)

(\*\*) Term: **14 Years**

(21) Appl. No.: **29/384,505**

(22) Filed: **Jan. 31, 2011**

(51) **LOC (9) Cl.** ..... **07-02**

(52) **U.S. Cl.** ..... **D7/409**

(58) **Field of Classification Search** ..... D7/323,  
 D7/354-363, 388-393, 395, 407-409, 538,  
 D7/542-545, 554.2, 552.2, 566, 570, 584-587,  
 D29/601-602, 610, 667, 698; D11/152; D23/418;  
 D29/119; 99/279, 324-325, 330-332, 337-345,  
 99/369, 400-426, 444-446, 467; 126/9 B,  
 126/25 A, 25 R, 41 R, 275 R, 337 R, 380.1,  
 126/390.1; 219/401, 405, 435-442, 620-624,  
 219/725, 729-735, 754-755; 220/4.26, 485,  
 220/491, 573.1-573.5, 574, 607, 658, 676,  
 220/759, 771, 912; 426/438, 441, 523

See application file for complete search history.

(56) **References Cited**

**U.S. PATENT DOCUMENTS**

- D5,144 S 7/1871 Talbot
- 730,268 A 6/1903 Keller
- 882,151 A 3/1908 Koeppen
- 893,602 A 7/1908 Bond
- 1,133,912 A 3/1915 Barrere
- 1,178,425 A 4/1916 Tant
- 1,217,758 A 2/1917 Haapanen
- 1,241,378 A 9/1917 Hendee

**OTHER PUBLICATIONS**

Office Action from the Mexican Institute of Industrial Property for Application No. MX/F/2011/002604 dated Mar. 28, 2012 (Original and English Translation, 7 pages).

(Continued)

*Primary Examiner* — Ricky Pham

(74) *Attorney, Agent, or Firm* — Michael Best & Friedrich LLP

(57) **CLAIM**

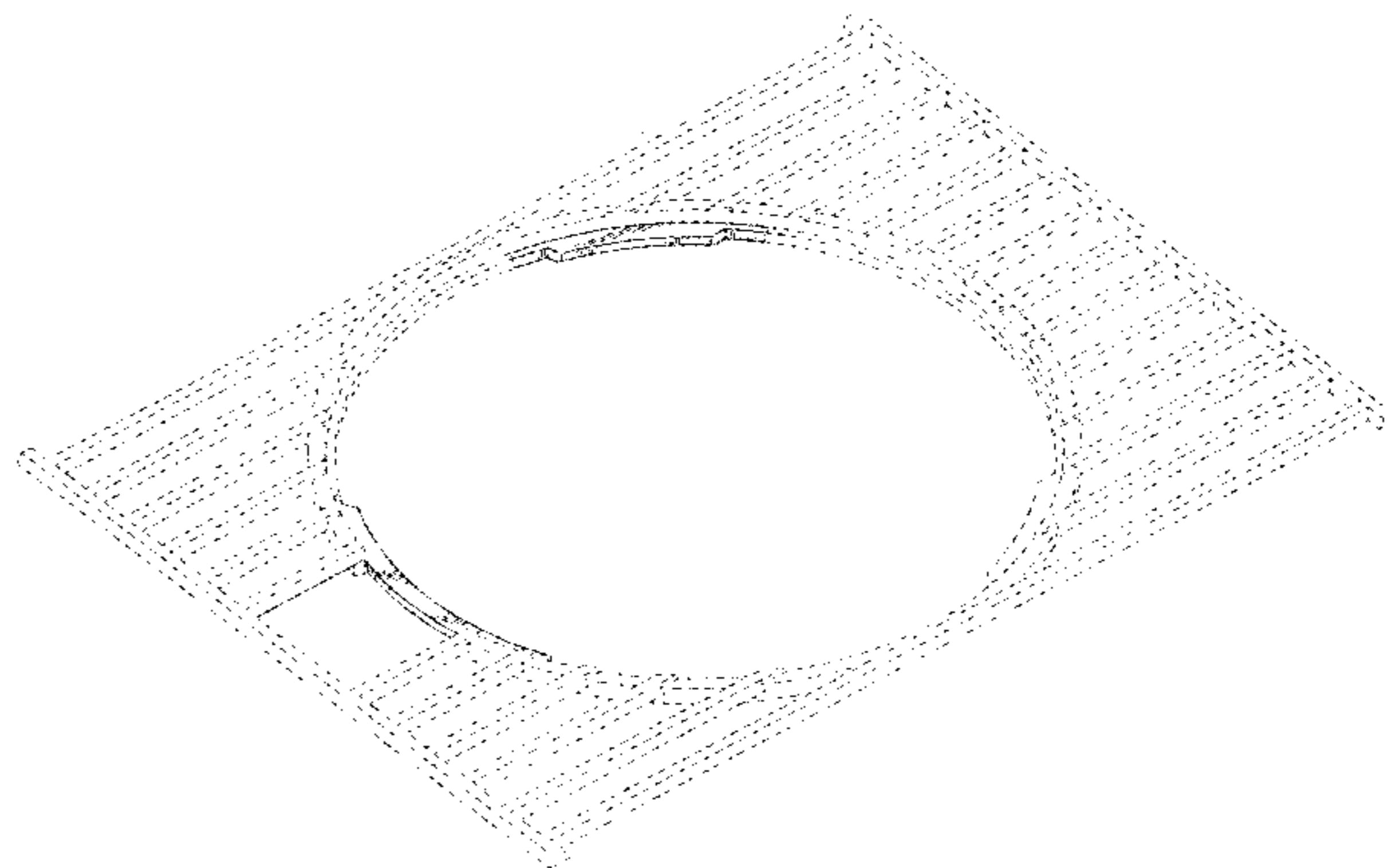
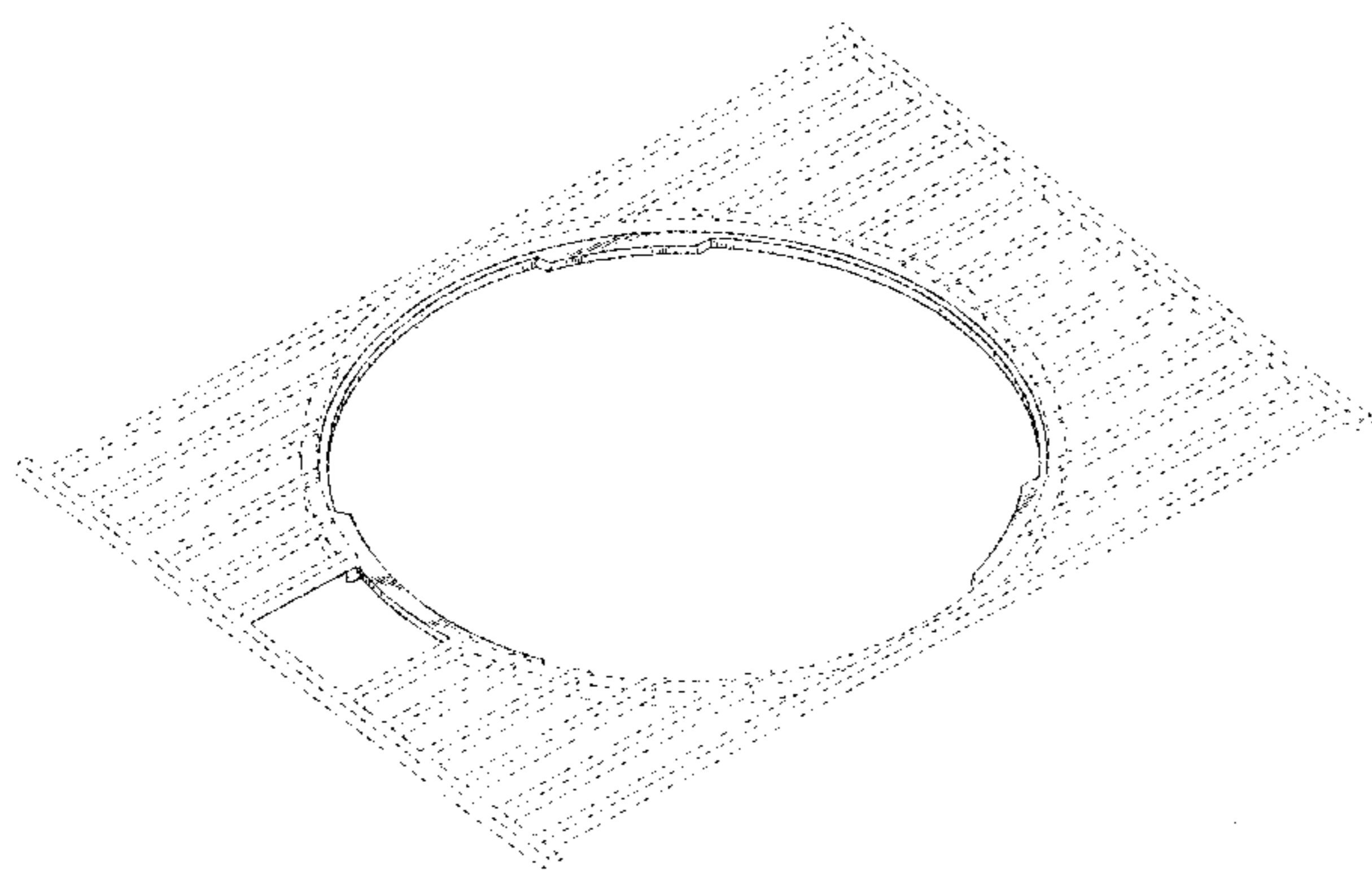
We claim the ornamental design for a portion of a grill, as shown and described.

**DESCRIPTION**

FIG. 1 is a perspective view of a portion of a grill.  
 FIG. 2 is a top view of the portion of the grill shown in FIG. 1.  
 FIG. 3 is a perspective view of another portion of a grill; and,  
 FIG. 4 is a top view of the portion of the grill shown in FIG. 3.

The elements shown in broken lines, including cooking surface portions and outer periphery shape (e.g., rectangular) of the grill, are included for the purpose of illustrating environment and form no part of the claimed design.

**1 Claim, 4 Drawing Sheets**



# US D671,364 S

U.S. PATENT DOCUMENTS					
3,216,379	A	11/1965 Durfee	6,422,233	B1	7/2002 Bhagat
3,269,765	A	8/1966 Pryce	6,439,222	B1	8/2002 Dixon et al.
3,306,279	A	2/1967 Dale	6,439,420	B1	8/2002 Park
3,323,508	A	6/1967 Holman	6,523,461	B1	2/2003 Johnston et al.
3,327,698	A	6/1967 Leslie	6,622,616	B1 *	9/2003 Measom ..... 99/345
3,382,863	A	5/1968 Katz	6,694,868	B1	2/2004 Hung
3,450,025	A	6/1969 Fleming	6,718,966	B1 *	4/2004 Barbour ..... 126/25 R
3,453,975	A	7/1969 Gunter	D489,222	S	5/2004 Pai
3,509,814	A *	5/1970 Karapetian ..... 99/445	6,739,473	B2	5/2004 Kahler et al.
3,617,693	A	11/1971 Shimosawa	6,748,940	B2	6/2004 Bennett et al.
3,974,821	A	8/1976 Storandt	6,755,187	B2	6/2004 Harrod et al.
4,094,649	A	6/1978 Osterried	6,782,801	B1 *	8/2004 Correa et al. .... 99/340
4,126,120	A	11/1978 Bourboulis	D497,280	S	10/2004 Pai
4,130,103	A	12/1978 Zimmerman	D499,928	S	12/2004 Zhang
D252,008	S *	6/1979 Jeambey ..... D7/359	6,827,076	B2	12/2004 Crawford et al.
4,215,667	A	8/1980 Hsu	D501,116	S	1/2005 Zhang
4,227,510	A	10/1980 Frazier et al.	6,841,759	B2	1/2005 Elwedini
D260,221	S *	8/1981 Lee et al. .... D7/359	D503,065	S	3/2005 Pai
4,417,565	A	11/1983 Karpinia	D505,048	S	5/2005 Cornfield
4,432,334	A	2/1984 Holt	D506,352	S *	6/2005 Dow et al. .... D7/361
4,434,780	A	3/1984 Hepner	6,913,013	B1	7/2005 Mize
D275,170	S *	8/1984 Bentson ..... D7/409	6,925,998	B2	8/2005 Bruno et al.
4,471,985	A	9/1984 Mahoney	6,935,327	B1	8/2005 Williams et al.
4,510,855	A	4/1985 Avner	6,935,330	B1	8/2005 Barrero et al.
4,510,916	A	4/1985 Ogden	D513,150	S *	12/2005 Asner ..... D7/354
4,524,751	A	6/1985 Hogleund	D518,678	S	4/2006 Menegon
4,531,507	A	7/1985 Gerson	7,028,374	B2	4/2006 Fiocco
4,567,876	A	2/1986 Ogden	D520,299	S *	5/2006 Carlson ..... D7/409
4,569,279	A	2/1986 Avner	D521,308	S	5/2006 Tseng
4,603,679	A	8/1986 Ogden	D525,072	S	7/2006 Wilgus et al.
4,607,613	A	8/1986 Toldi	D525,073	S	7/2006 Wilgus et al.
D292,163	S	10/1987 Mashburn et al.	D528,349	S	9/2006 Chung
4,924,846	A	5/1990 Peacock et al.	D533,009	S	12/2006 Pai
D308,799	S *	6/1990 Yamada et al. .... D7/359	D533,011	S	12/2006 Pai
D312,941	S *	12/1990 Zivin ..... D7/545	D535,139	S	1/2007 Lutz
5,069,196	A	12/1991 Schlosser et al.	7,165,489	B1	1/2007 Fernandez et al.
5,143,045	A	9/1992 Minnis	D541,486	S *	4/2007 Mahaffey ..... D29/119
5,154,159	A	10/1992 Knafelc et al.	D541,575	S	5/2007 Lutz
5,197,455	A	3/1993 Tessien	D541,576	S	5/2007 Lutz
D335,795	S *	5/1993 Conti ..... D7/545	7,219,663	B2 *	5/2007 Cuomo ..... 126/25 R
5,211,105	A *	5/1993 Liu ..... 99/446	D546,116	S	7/2007 Tseng
5,230,325	A	7/1993 Williams	D546,616	S	7/2007 Tseng
5,373,608	A	12/1994 Welch	D560,094	S *	1/2008 Miller ..... D7/388
5,458,054	A	10/1995 Yu	D560,953	S	2/2008 Bruno et al.
5,469,835	A	11/1995 Stephen et al.	D563,739	S	3/2008 Shamoon
D364,777	S	12/1995 Schlosser et al.	D566,456	S	4/2008 Proffitt
5,490,452	A	2/1996 Schlosser et al.	D568,683	S *	5/2008 Glynn ..... D7/407
5,499,666	A	3/1996 Foster et al.	D571,142	S	6/2008 Chung
5,552,577	A *	9/1996 Su ..... 219/401	D571,604	S	6/2008 Chung
5,558,008	A	9/1996 Jenkins	D571,605	S	6/2008 Chung
5,605,143	A	2/1997 Hebert et al.	D578,335	S	10/2008 Proffitt
5,638,807	A	6/1997 Flamenbaum	D581,199	S	11/2008 Chau
5,704,092	A	1/1998 Nicollet et al.	7,478,735	B2	1/2009 Lorthioir et al.
5,768,980	A *	6/1998 Degen ..... 99/426	7,481,330	B2	1/2009 Lorthioir et al.
5,809,991	A	9/1998 Pai	D598,717	S *	8/2009 Jalet ..... D7/667
D402,503	S	12/1998 Sanchez	7,575,002	B2	8/2009 DeMars et al.
5,865,099	A	2/1999 Waugh	D601,378	S	10/2009 Chung
5,875,772	A	3/1999 Saey	D604,098	S *	11/2009 Hamlin ..... D7/408
5,887,751	A	3/1999 Kroscher	7,611,179	B2	11/2009 Lorthioir et al.
5,988,050	A *	11/1999 Foster, Jr. .... 99/467	D613,131	S *	4/2010 Chen et al. .... D7/667
6,000,100	A	12/1999 Montgelard	7,717,029	B2	5/2010 Rowe et al.
6,000,739	A	12/1999 Zemit et al.	7,717,031	B1 *	5/2010 Cornfield ..... 99/413
6,009,867	A	1/2000 Walton	D618,034	S	6/2010 Chung
6,024,014	A	2/2000 Kasai	D618,485	S	6/2010 Chung
D428,305	S *	7/2000 Berkes ..... D7/409	D620,312	S *	7/2010 Jendrass ..... D7/408
6,105,487	A *	8/2000 Nash et al. .... 99/400	7,762,182	B2	7/2010 Garziera
D437,522	S *	2/2001 Measom ..... D7/354	D621,650	S *	8/2010 DeLeo ..... D7/354
6,182,559	B1	2/2001 Chiang	D623,006	S	9/2010 Alden et al.
6,186,055	B1	2/2001 DeMars et al.	D623,007	S	9/2010 Alden et al.
6,196,115	B1	3/2001 Tsao	D623,013	S	9/2010 Alden et al.
6,196,120	B1	3/2001 Reames	D623,014	S	9/2010 Alden et al.
6,220,149	B1	4/2001 Lin	7,793,649	B2	9/2010 Barkhouse et al.
6,250,493	B1	6/2001 Kwan	7,810,486	B2	10/2010 Bruno et al.
6,257,229	B1	7/2001 Stewart et al.	7,823,576	B2	11/2010 Timmons et al.
6,257,439	B1	7/2001 Hsu	7,900,624	B2	3/2011 DeMars et al.
D453,308	S *	2/2002 McCauley ..... D11/152	D635,816	S *	4/2011 France et al. .... D7/354
6,360,654	B1 *	3/2002 Cornfield ..... 99/339	D641,216	S *	7/2011 Chen ..... D7/667
6,393,973	B1	5/2002 Velo et al.	7,977,612	B2 *	7/2011 Levy et al. .... 219/729
			D657,442	S *	4/2012 Siemie czuk ..... D23/418

# US D671,364 S

Page 3

---

2003/0094171 A1 5/2003 Harrod et al.  
2005/0045168 A1 3/2005 Zapp  
2005/0205076 A1 9/2005 Boucher  
2006/0225725 A1 10/2006 Rinaldo  
2006/0260475 A1 11/2006 Bjork et al.  
2007/0056577 A1 3/2007 Chang  
2007/0204856 A1 9/2007 Elwell et al.  
2007/0204858 A1 9/2007 Abelbeck  
2007/0221194 A1 9/2007 Bruno et al.  
2008/0178864 A1 7/2008 Hoyles et al.  
2008/0196708 A1 8/2008 Lee  
2008/0257332 A1 10/2008 Maruya  
2008/0264404 A1 10/2008 Hoyles et al.  
2008/0271728 A1 11/2008 Pai  
2009/0025574 A1 1/2009 Byrnes et al.

2009/0045207 A1 2/2009 Lorthioir  
2009/0050131 A1 2/2009 Lee  
2009/0095276 A1 4/2009 Kaye  
2009/0277438 A1 11/2009 Fischer et al.  
2010/0059037 A1 3/2010 Witzel et al.  
2010/0089380 A1 4/2010 DeMars  
2010/0212652 A1 8/2010 DeMars et al.  
2011/0005037 A1 1/2011 Kim

## OTHER PUBLICATIONS

Office Action from the Mexican Institute of Industrial Property for Application No. MX/F/2011/002603 dated Mar. 28, 2012 (Original and English Translation, 7 pages).

\* cited by examiner

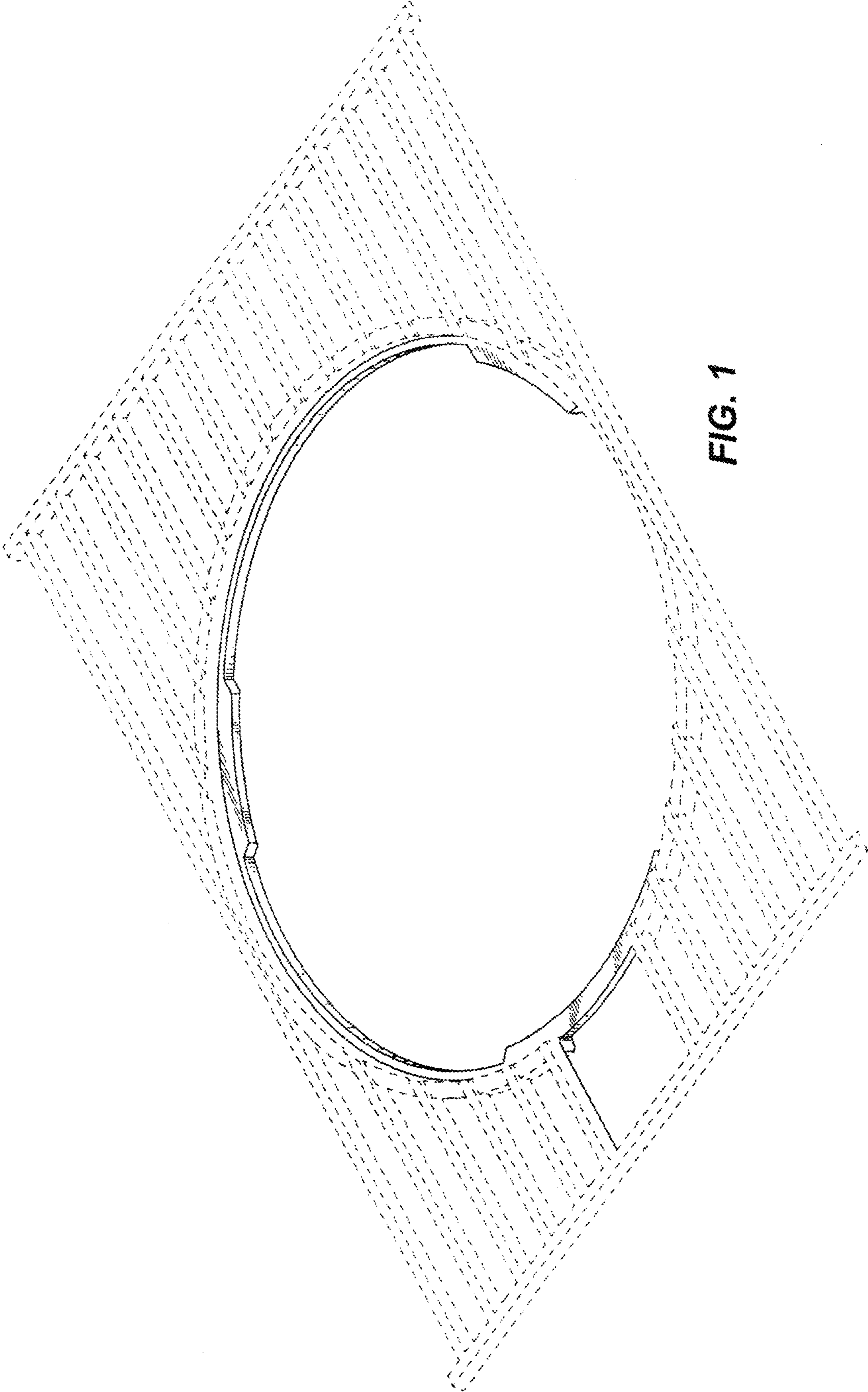


FIG. 1

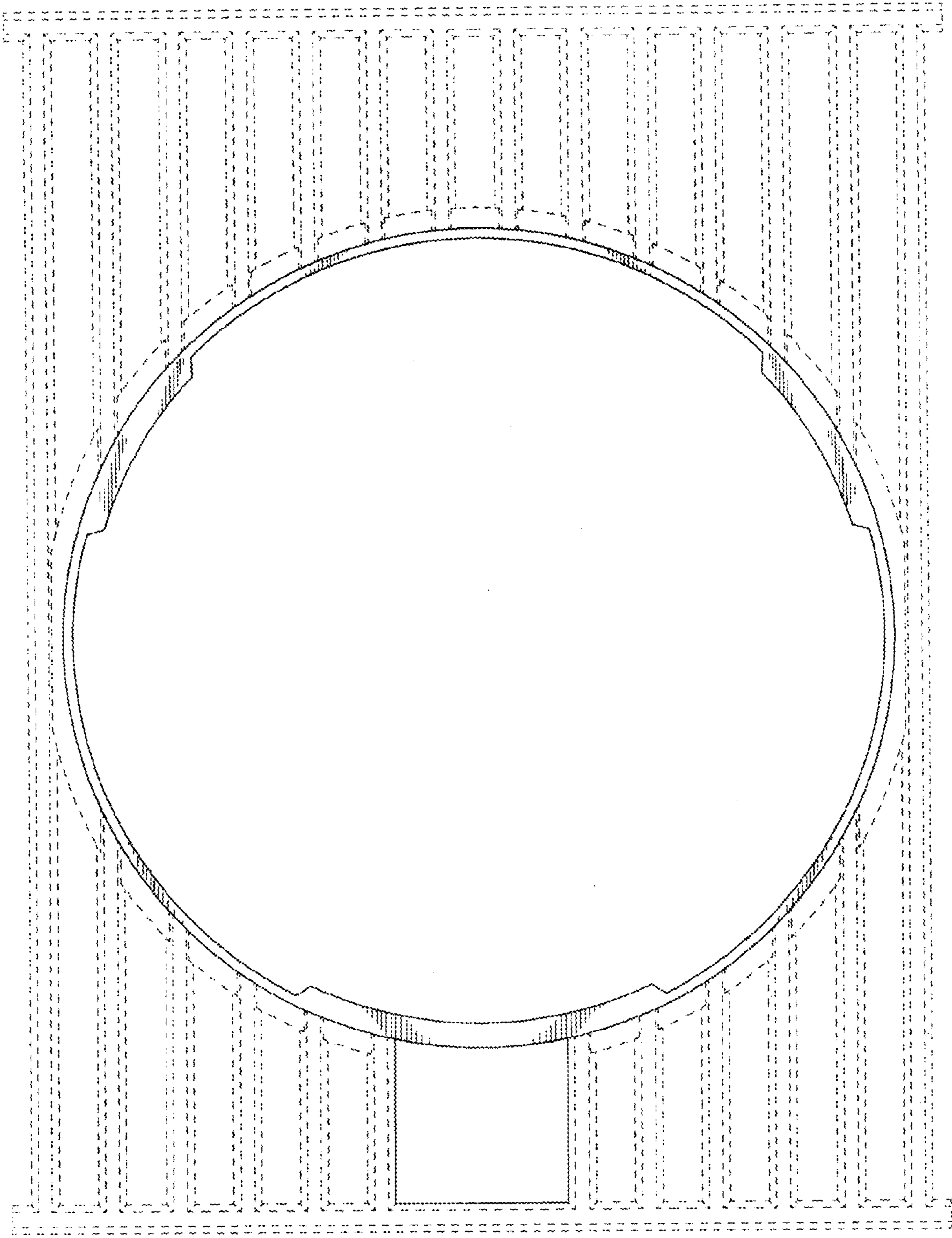


FIG. 2

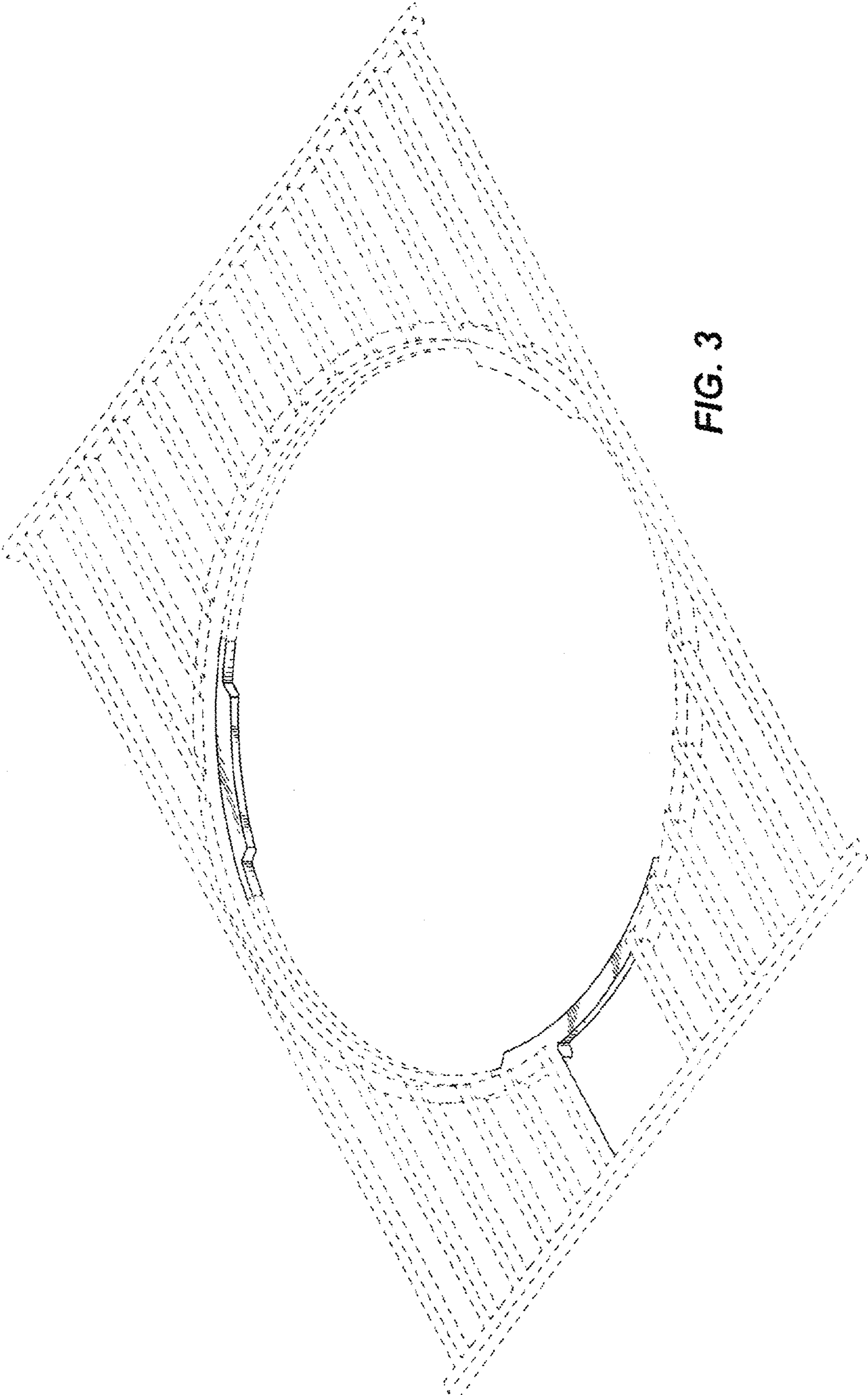


FIG. 3

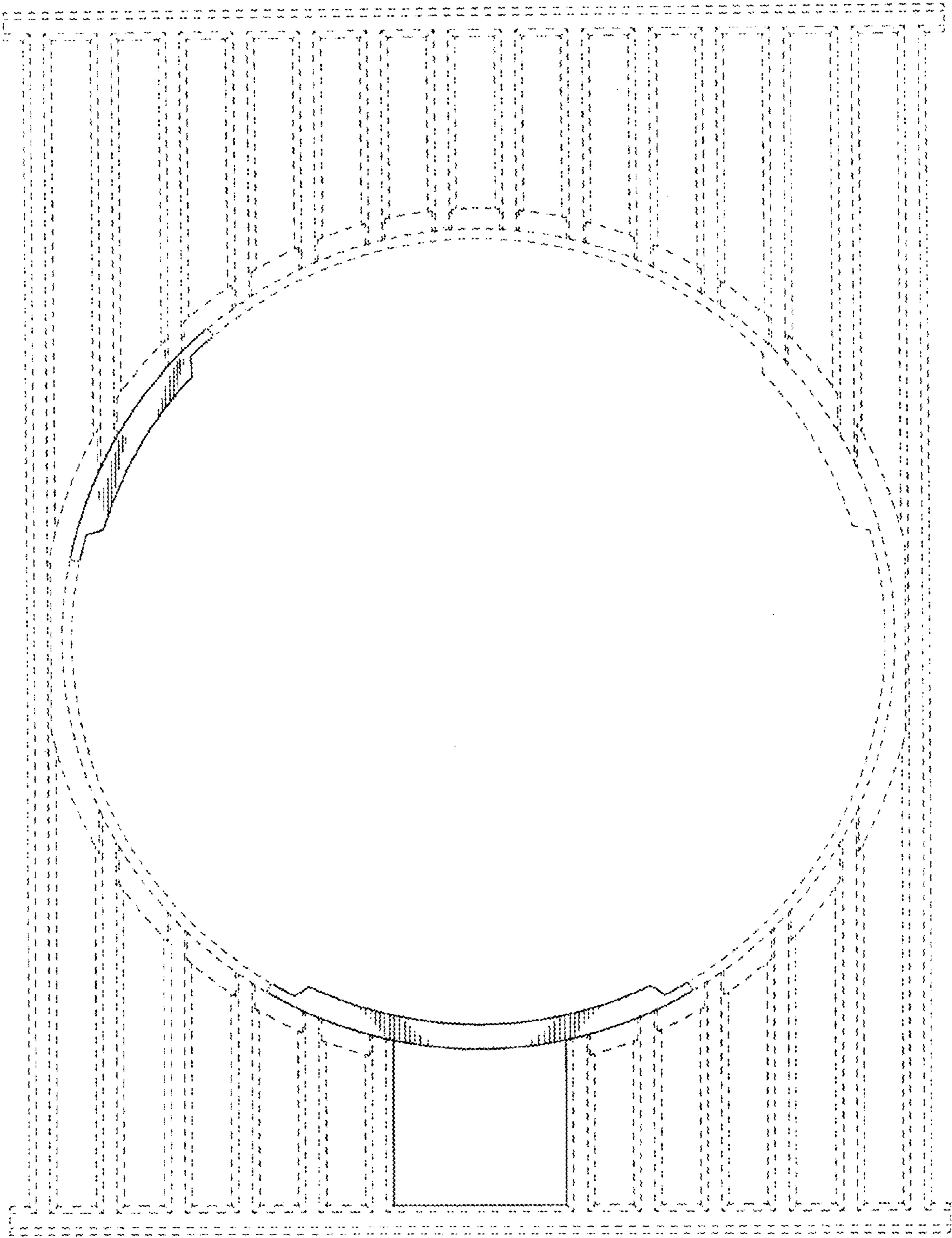


FIG. 4