

US00D671362S

(12) **United States Design Patent**  
**Simms, II**

(10) **Patent No.:** **US D671,362 S**

(45) **Date of Patent:** **\*\* Nov. 27, 2012**

(54) **PAIR OF SHELVES FOR A COOKING GRILL**

(76) Inventor: **John Lee Simms, II**, Atlanta, GA (US)

(\*\*) Term: **14 Years**

(21) Appl. No.: **29/391,089**

(22) Filed: **May 3, 2011**

(51) **LOC (9) Cl.** ..... **07-02**

(52) **U.S. Cl.** ..... **D7/406**

(58) **Field of Classification Search** ..... D7/332,  
D7/334-337, 402-407, 409; 126/40, 50,  
126/332, 39 M, 214 R, 307 R, 334, 25 R,  
126/25 A, 25 AA, 29-30, 9 R, 38, 37 R, 41 R,  
126/276, 268; 99/481-482; D6/511; 219/461.1;  
312/100, 236

See application file for complete search history.

(56) **References Cited**

**U.S. PATENT DOCUMENTS**

D322,909	S	*	1/1992	Parent et al.	.....	D7/334
5,090,398	A	*	2/1992	Raymer et al.	.....	126/41 R
D362,370	S	*	9/1995	Wiese	.....	D7/402
D388,658	S	*	1/1998	Dutczak	.....	D7/403
D393,969	S	*	5/1998	Jenkins et al.	.....	D6/511
D395,378	S	*	6/1998	Schlosser et al.	.....	D7/403
5,906,193	A	*	5/1999	Leach et al.	.....	126/25 R
D413,043	S	*	8/1999	Wagner et al.	.....	D7/406
D413,229	S	*	8/1999	Hopkins et al.	.....	D7/406
D416,441	S	*	11/1999	Wagner et al.	.....	D7/406
D436,004	S	*	1/2001	Wagner	.....	D7/402
D443,179	S	*	6/2001	Wagner	.....	D7/406
D448,615	S	*	10/2001	Coleman	.....	D7/402
D451,759	S	*	12/2001	Joss et al.	.....	D7/402
D454,028	S	*	3/2002	Coleman	.....	D7/334
D454,031	S	*	3/2002	Crookshanks	.....	D7/402
D454,753	S	*	3/2002	Pai	.....	D7/402
D462,234	S	*	9/2002	Alden et al.	.....	D7/402
D480,914	S	*	10/2003	Wagner et al.	.....	D7/406
D485,116	S	*	1/2004	Kwok	.....	D7/334
6,694,965	B1	*	2/2004	Chen	.....	126/25 A
D488,026	S	*	4/2004	Tseng	.....	D7/403
D511,650	S	*	11/2005	McKenzie	.....	D7/402

D512,263	S	*	12/2005	Chung	.....	D7/334
D516,860	S	*	3/2006	Nipke	.....	D7/403
D516,861	S	*	3/2006	Nipke	.....	D7/403
D517,368	S	*	3/2006	Nipke	.....	D7/403
D537,295	S	*	2/2007	Debord et al.	.....	D7/406
D541,588	S	*	5/2007	McKenzie	.....	D7/402
D562,628	S	*	2/2008	Henley et al.	.....	D7/402
D566,463	S	*	4/2008	Chung	.....	D7/402
D614,435	S	*	4/2010	Lin	.....	D7/334
D618,486	S	*	6/2010	Bruno et al.	.....	D7/334
D621,212	S	*	8/2010	Bruno et al.	.....	D7/402
D621,216	S	*	8/2010	Bruno et al.	.....	D7/406

**OTHER PUBLICATIONS**

“Composite Shelves & Nest for Medium Big Green Egg”, retrieved from Internet on Mar. 29, 2012, Retrieved from Internet: [http://www.ebay.com/itm/Composite-Shelves-Nest-Medium-Big-Green-Egg-/160774370186?pt=LH\\_DefaultDomain\\_0&hash=item256ee6338a](http://www.ebay.com/itm/Composite-Shelves-Nest-Medium-Big-Green-Egg-/160774370186?pt=LH_DefaultDomain_0&hash=item256ee6338a).\*

“Big Green Egg now on stage”, Retrieved from Internet on Mar. 29, 2012, Retrieved from Internet: <http://burntofferingbbq.com/2009/06/30/big-green-egg-now-on-stage/>.\*

\* cited by examiner

*Primary Examiner* — Ruth McInroy

(74) *Attorney, Agent, or Firm* — Lee & Hayes, PLLC

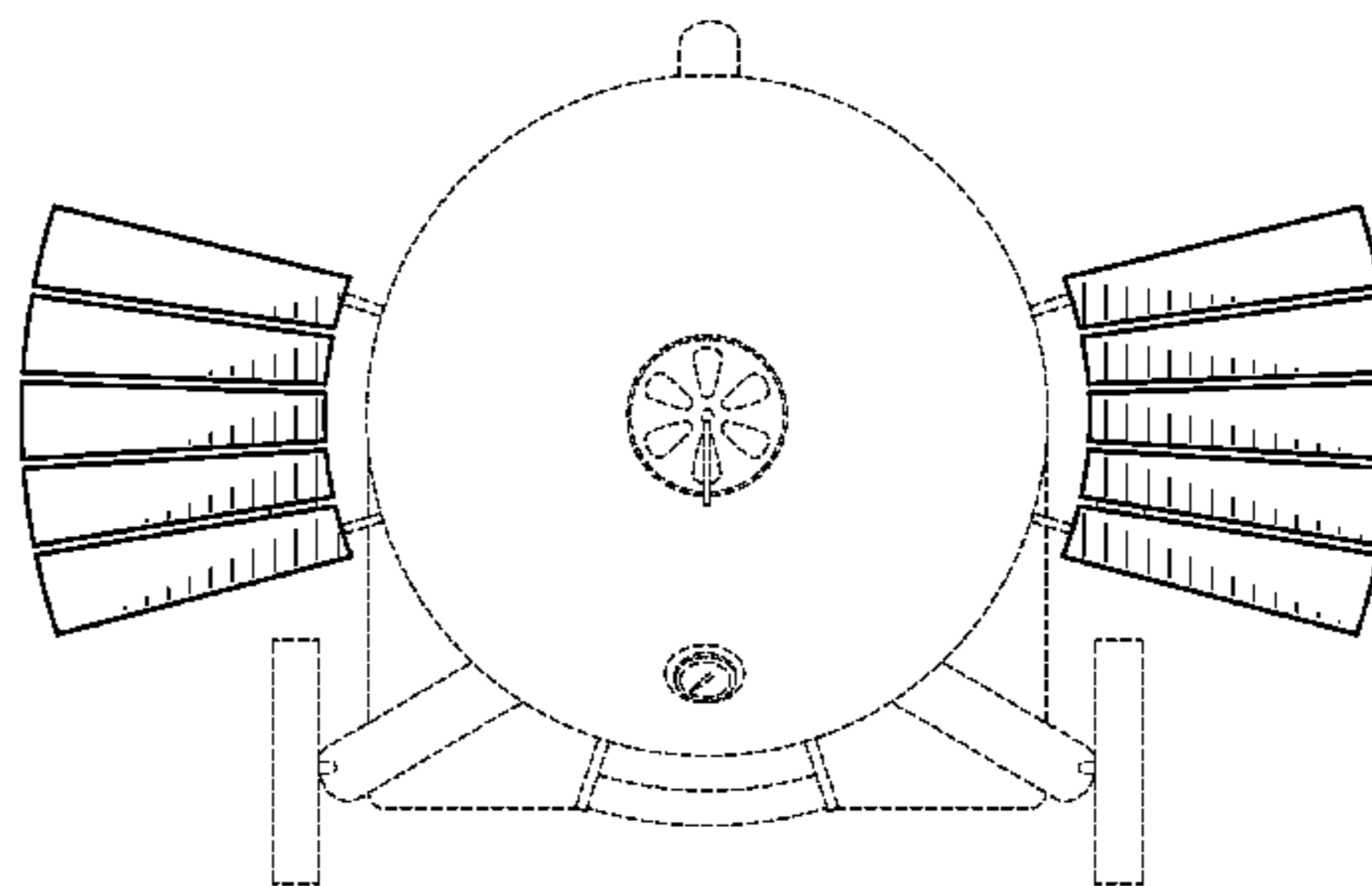
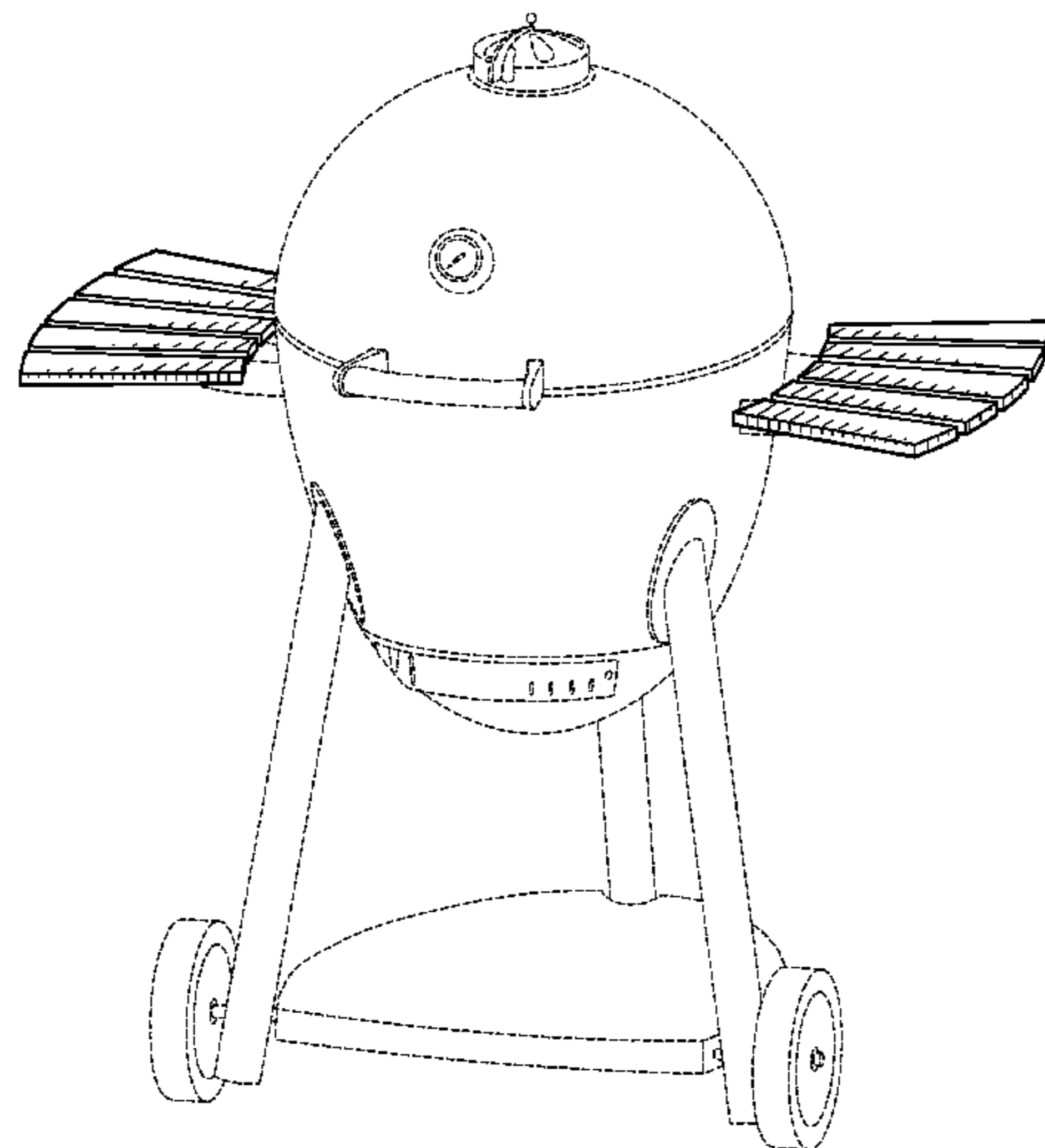
(57) **CLAIM**

I claim the ornamental design for a pair of shelves for a cooking grill, as shown and described.

**DESCRIPTION**

FIG. 1 is a perspective view of a pair of shelves for a cooking grill showing my new design;  
FIG. 2 is a top plan view thereof;  
FIG. 3 is a front view thereof;  
FIG. 4 is a rear view thereof;  
FIG. 5 is a side view thereof; and,  
FIG. 6 is a bottom plan view thereof.  
The details shown in broken lines form no part of the claimed design.

**1 Claim, 6 Drawing Sheets**



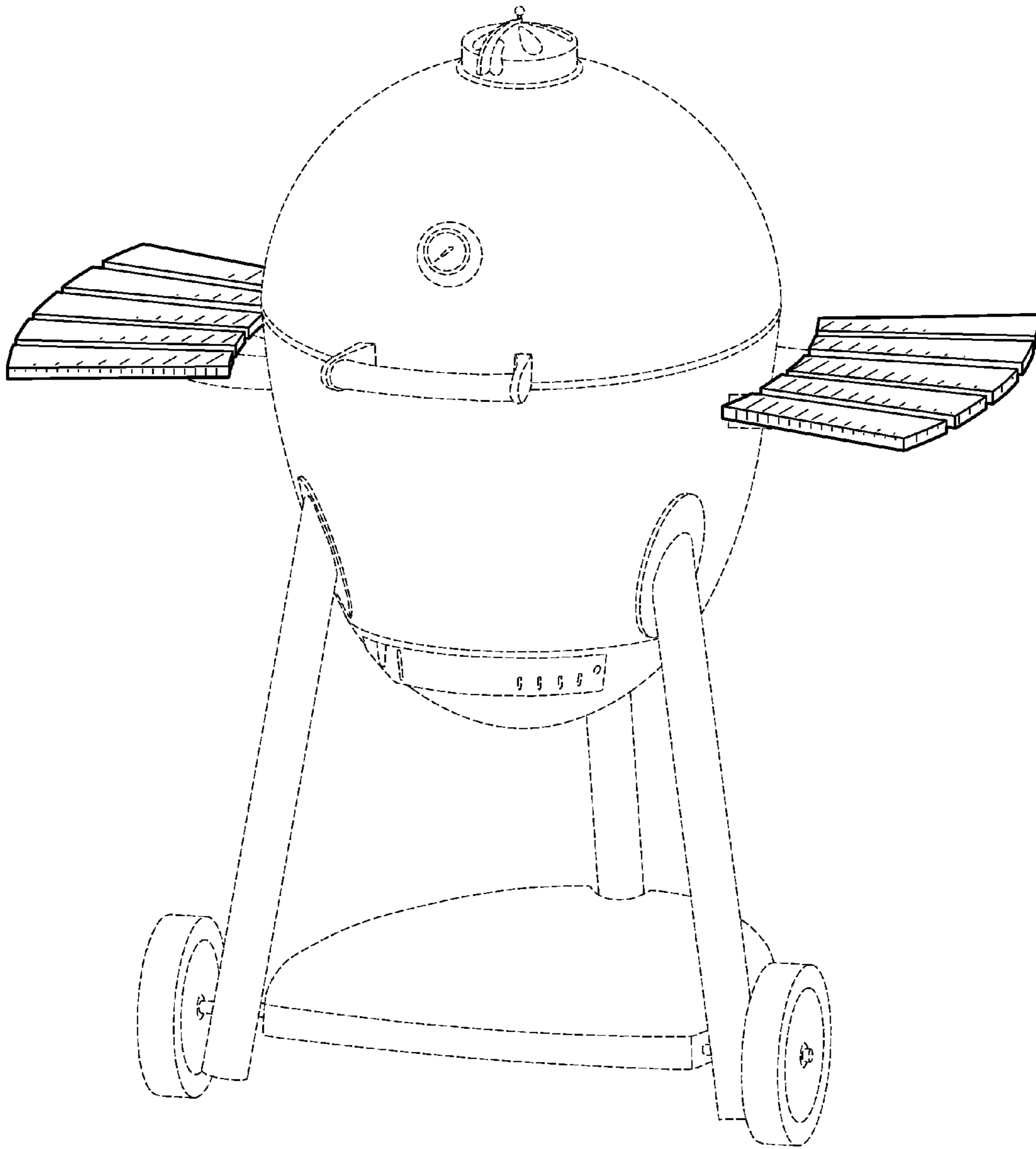


FIG.1

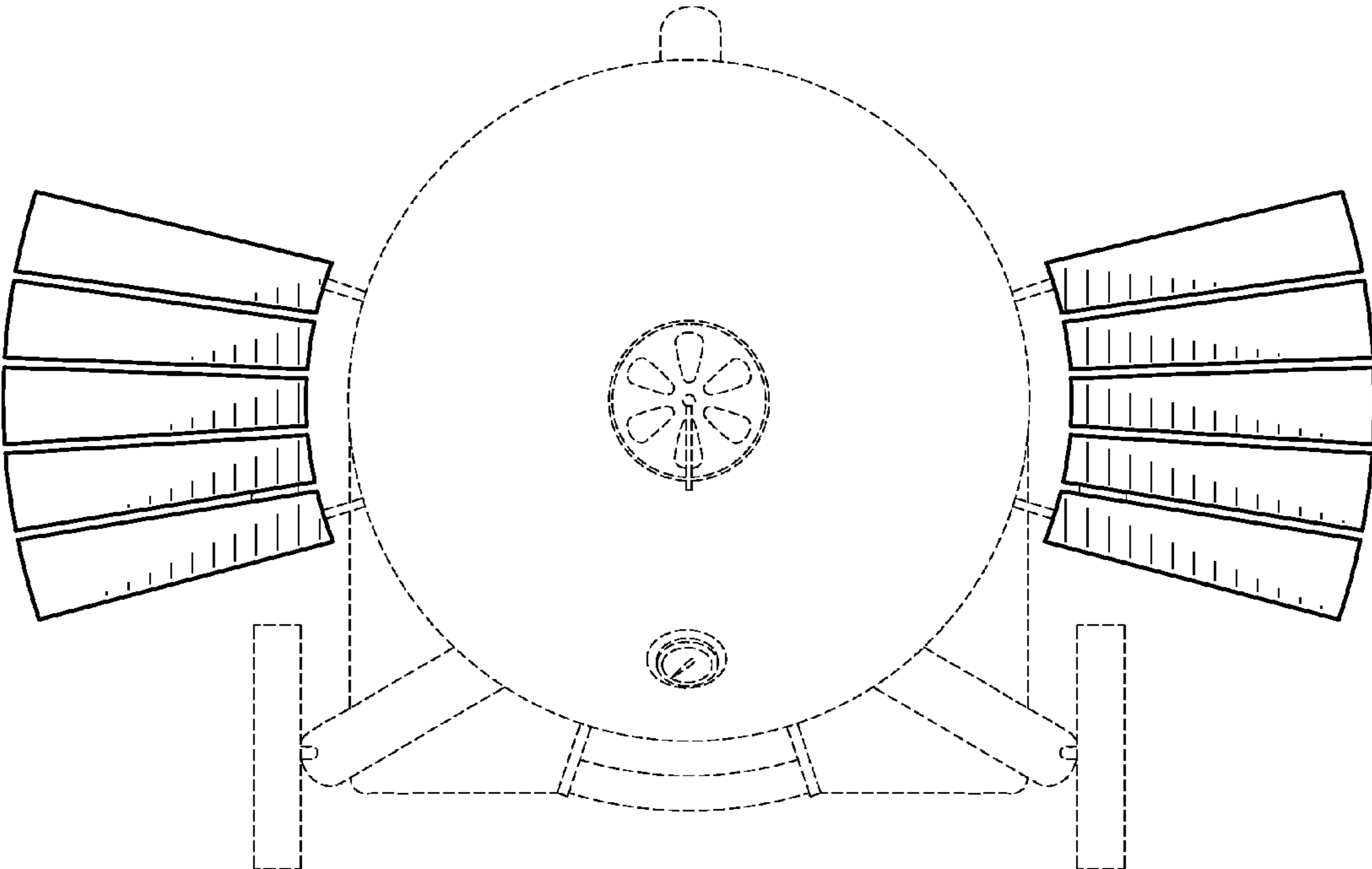


FIG. 2

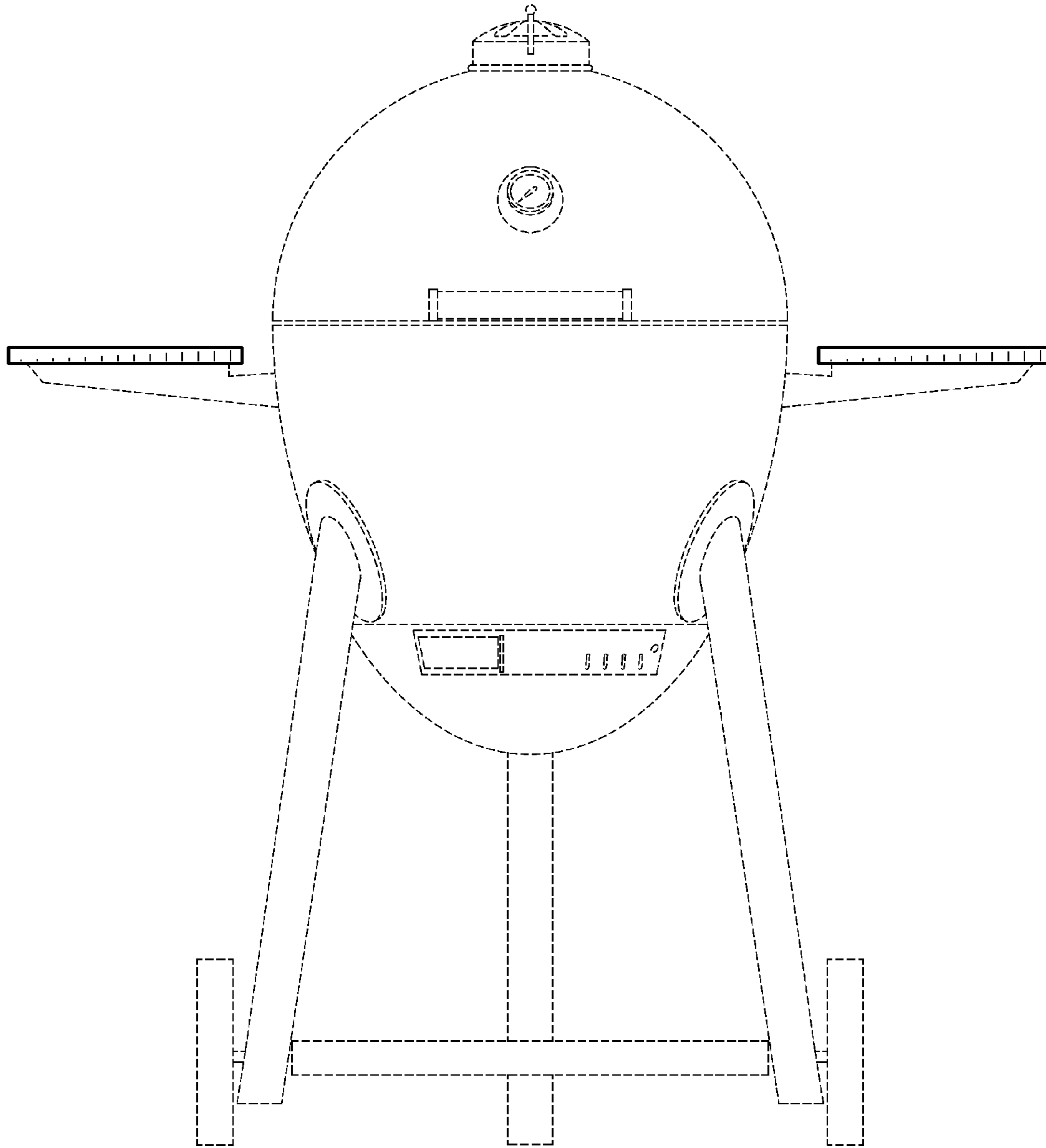


FIG.3

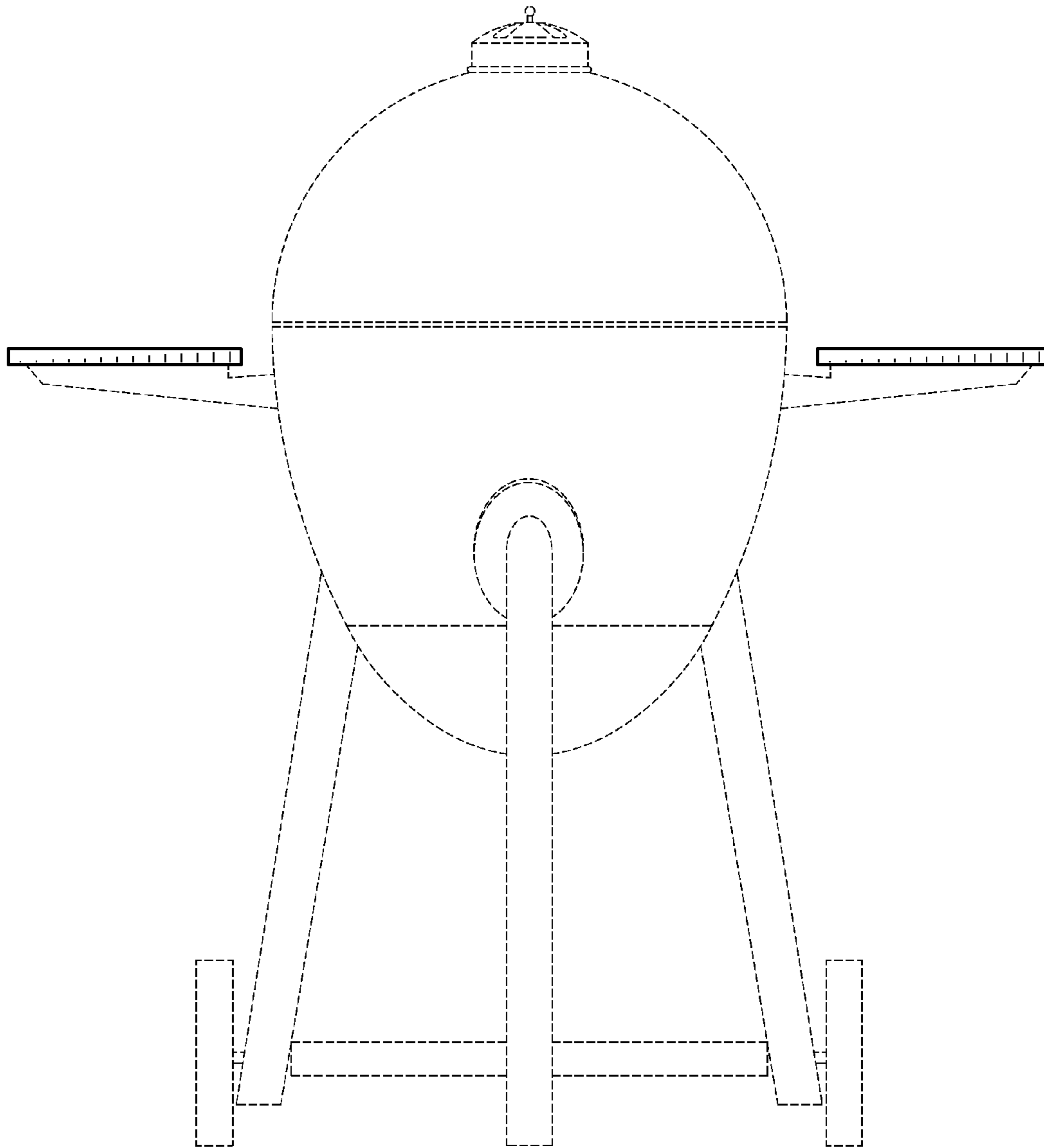


FIG.4

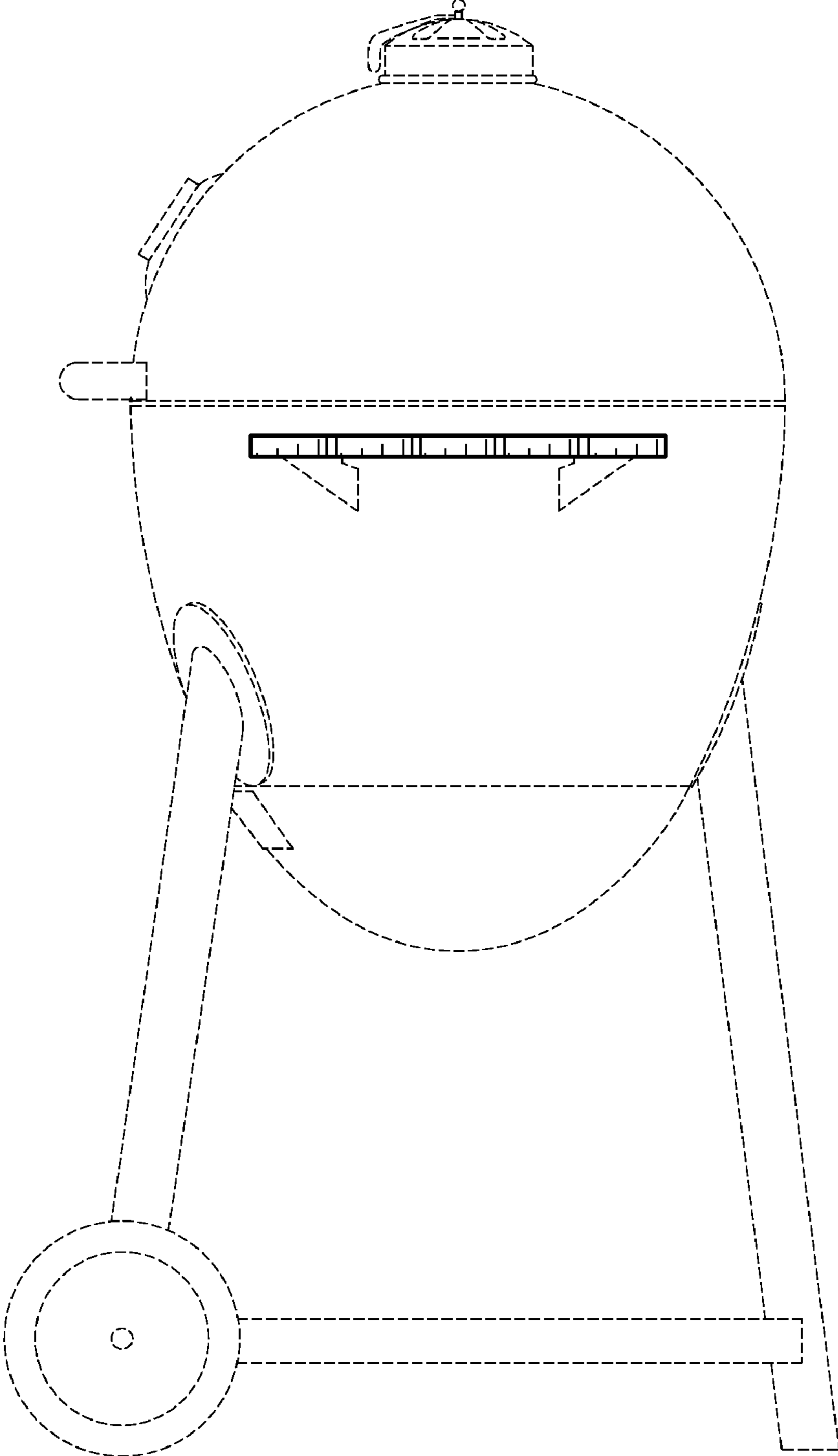


FIG.5

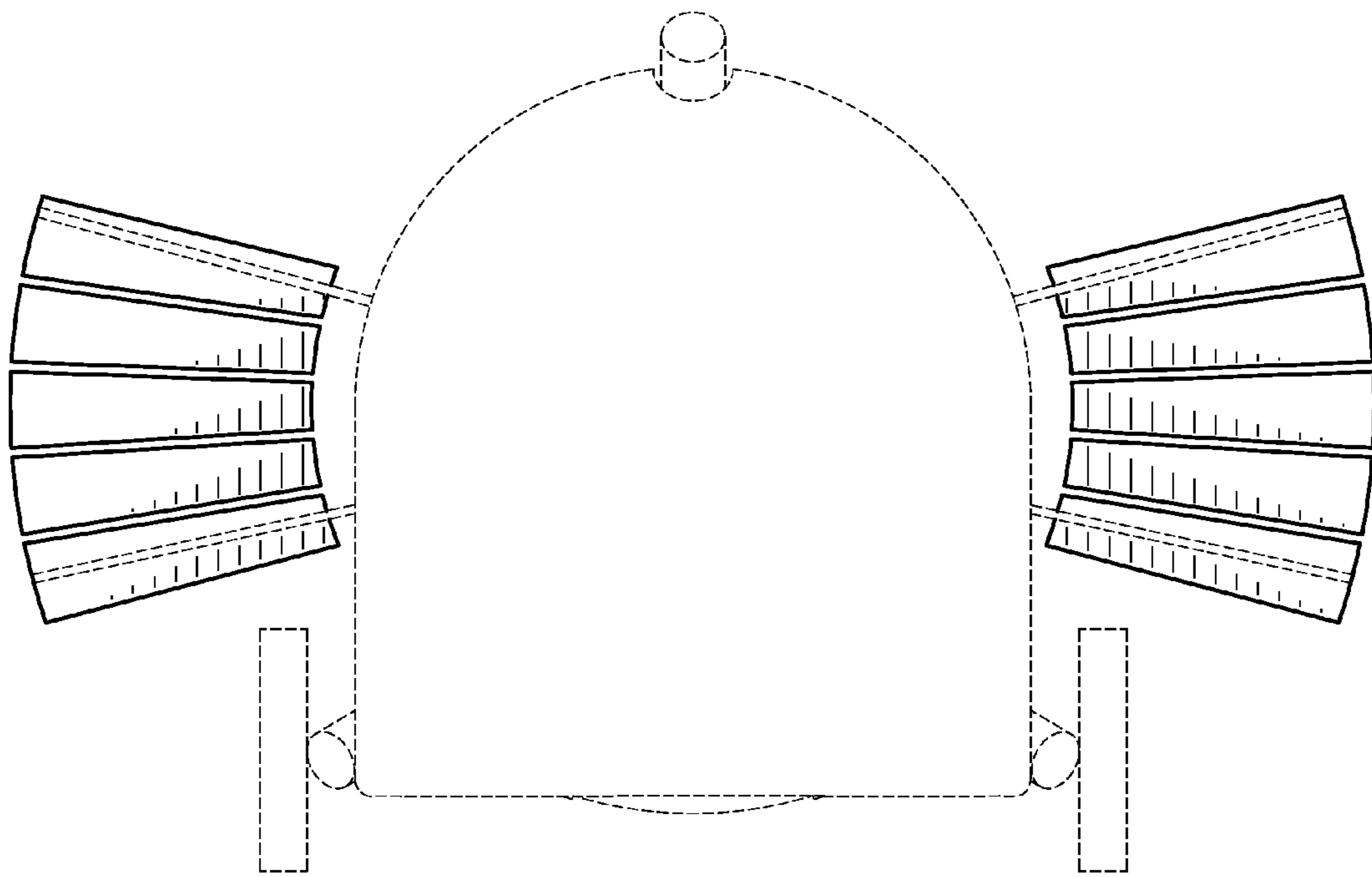


FIG.6