



US00D671361S

(12) **United States Design Patent**
Witzel et al.

(10) **Patent No.:** **US D671,361 S**
(45) **Date of Patent:** **** Nov. 27, 2012**

- (54) **BARBEQUE LID**
- (75) Inventors: **Theodore Andrew Witzel**, Kitchener (CA); **Joseph Daniel Runstedler**, Kitchener (CA)
- (73) Assignee: **Onward Multi-Corp Inc.**, Waterloo, Ontario
- (**) Term: **14 Years**
- (21) Appl. No.: **29/404,242**
- (22) Filed: **Oct. 18, 2011**
- (51) **LOC (9) Cl.** **07-02**
- (52) **U.S. Cl.** **D7/402**
- (58) **Field of Classification Search** D7/332, D7/334-337, 402-407, 409; 126/25 R, 25 A, 126/25 AA, 29-30, 9 R, 37-38, 41 R, 40-50, 126/332, 39 M, 214 R, 307 R, 334 R, 276, 126/268; 99/481, 482; D6/511; 219/461.1; 312/100, 236
See application file for complete search history.

- D586,615 S * 2/2009 Lee D7/402
- D587,525 S * 3/2009 Chau D7/402
- D595,082 S 6/2009 Chen
- D604,557 S * 11/2009 Lee D7/402
- D604,558 S * 11/2009 Chau D7/402
- D651,455 S * 1/2012 Lee D7/402

FOREIGN PATENT DOCUMENTS

CA 122176 3/2009

* cited by examiner

Primary Examiner — Ruth McInroy

(74) *Attorney, Agent, or Firm* — Bereskin & Parr LLP/S.E.N.C.R.L., s.r.l.

(57) **CLAIM**

The ornamental design for a barbeque lid, as shown and described.

DESCRIPTION

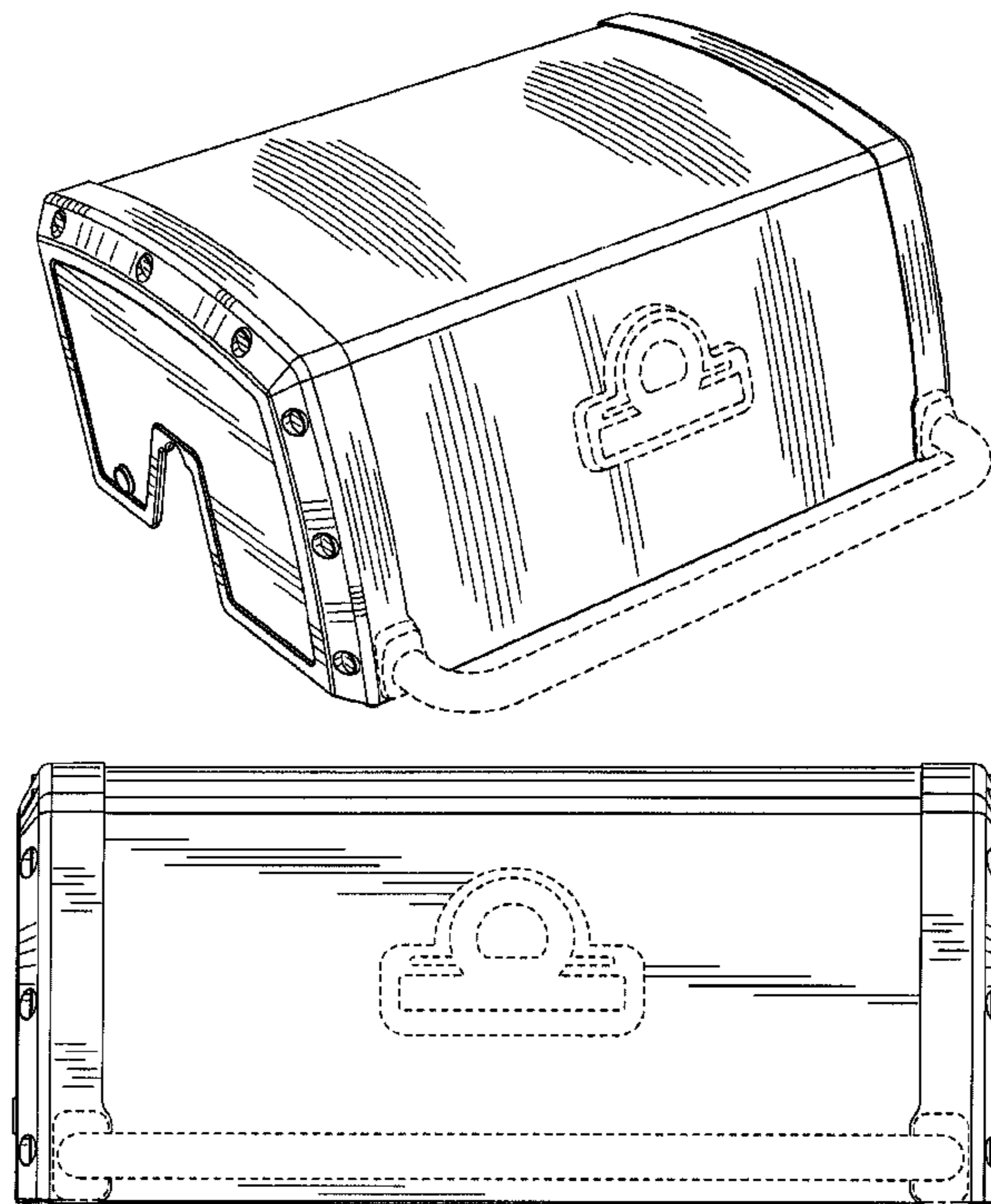
FIG. 1 is an isometric view of a first embodiment of the subject design;
 FIG. 2 is a front elevational view thereof;
 FIG. 3 is a right side view thereof;
 FIG. 4 is a back elevational view thereof;
 FIG. 5 is a left side view thereof;
 FIG. 6 is a top plan view thereof;
 FIG. 7 is a bottom plan view thereof; and,
 FIG. 8 is a perspective view thereof.
 The details shown in broken lines are for illustrative purposes only and form no part of the claimed design.

1 Claim, 8 Drawing Sheets

(56) **References Cited**

U.S. PATENT DOCUMENTS

- D433,279 S * 11/2000 Schlosser et al. D7/402
- D466,367 S * 12/2002 Johnson et al. D7/402
- D488,025 S 4/2004 Tseng
- D494,009 S 8/2004 Joss et al.
- D512,268 S 12/2005 Pai
- D542,089 S 5/2007 McKenzie
- D557,067 S * 12/2007 Ho et al. D7/402
- D558,518 S * 1/2008 Ho et al. D7/402



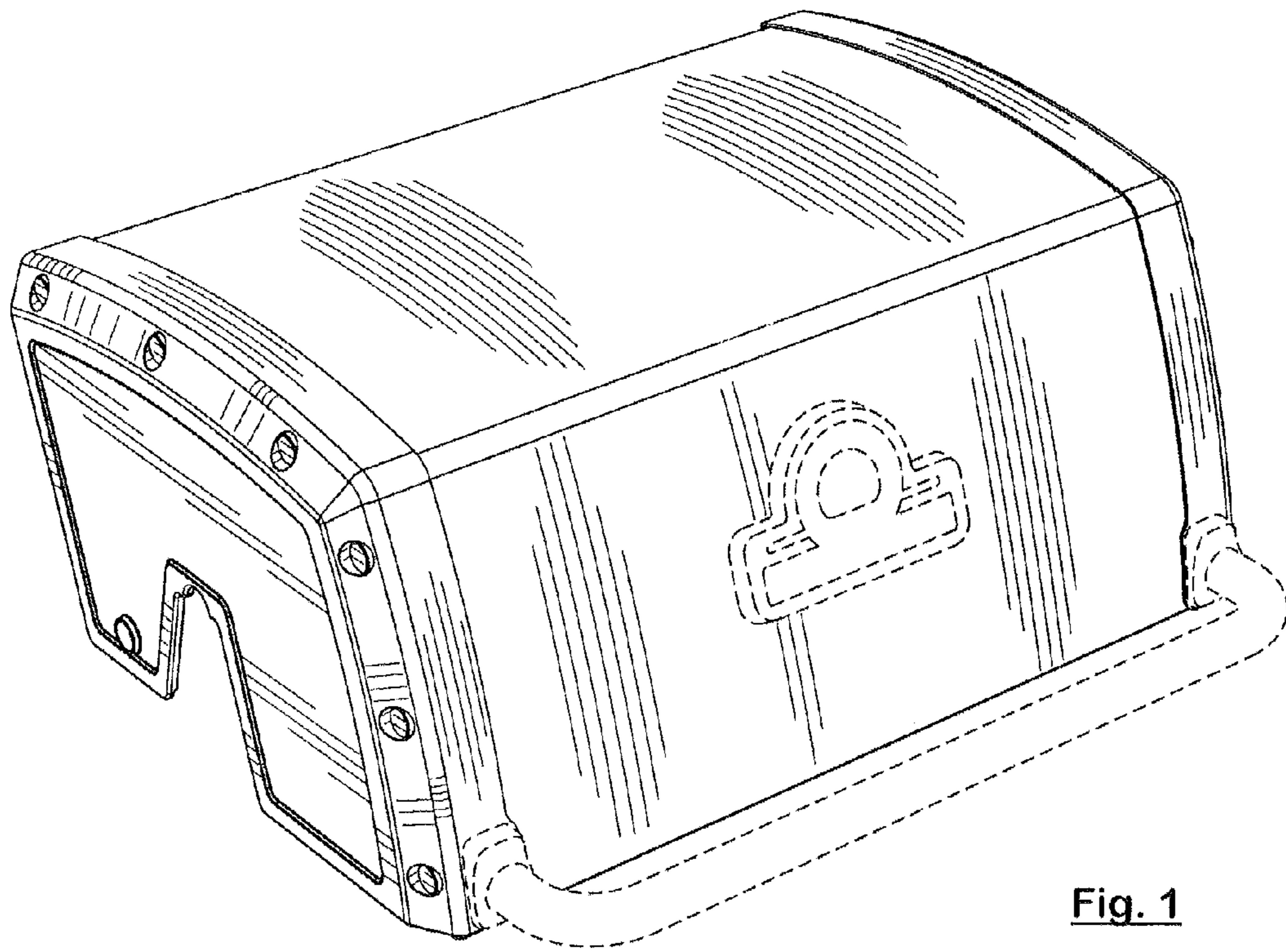


Fig. 1

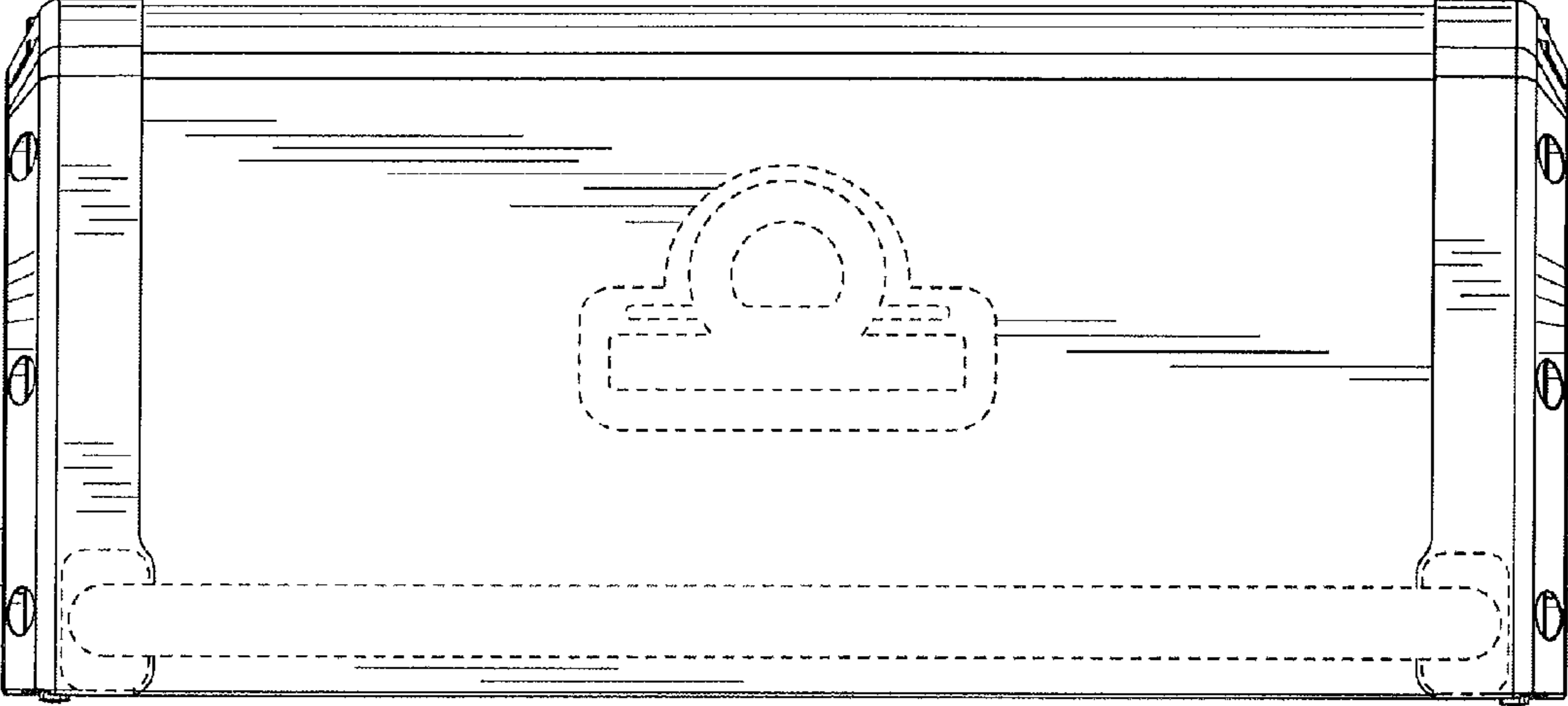


Fig. 2

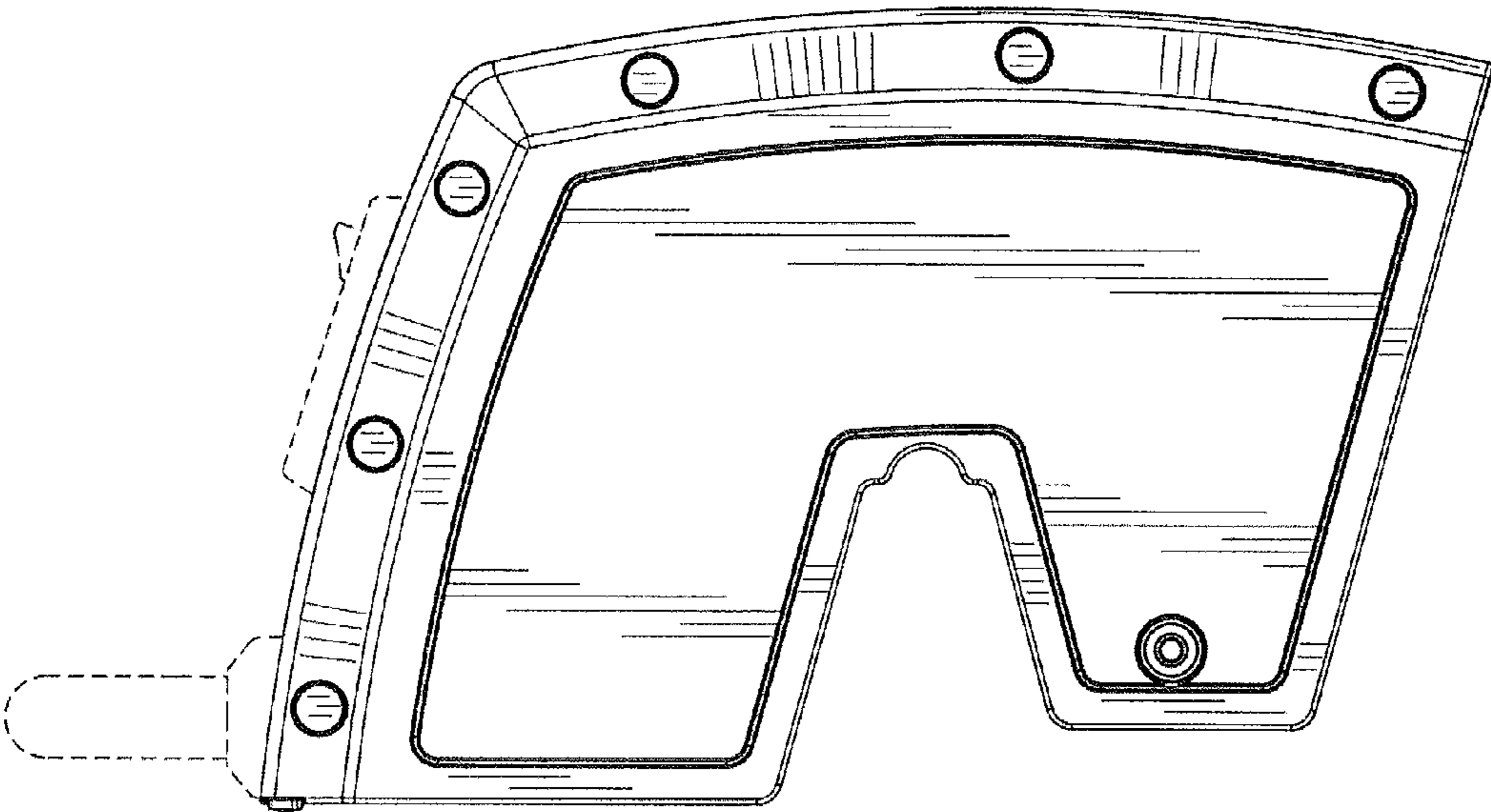


Fig. 3

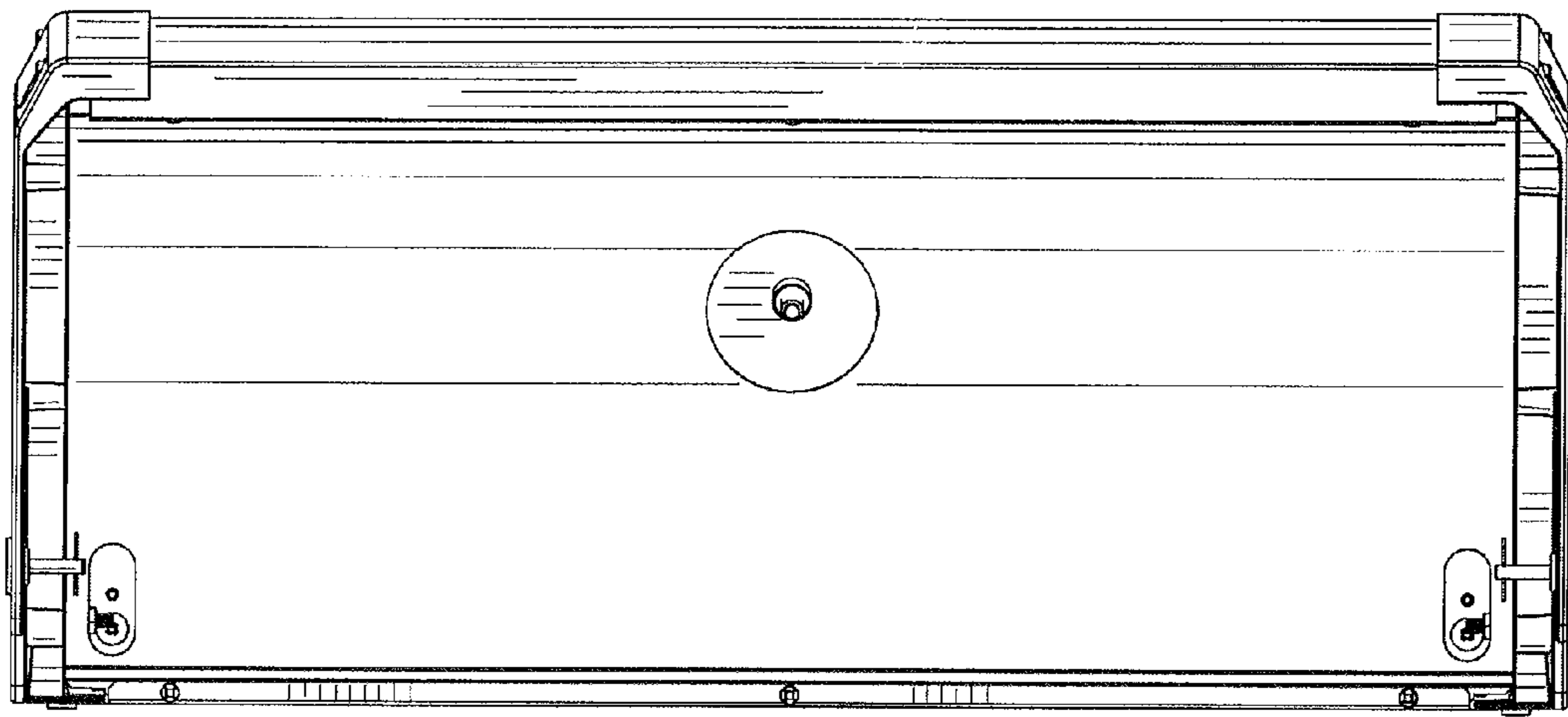


Fig. 4

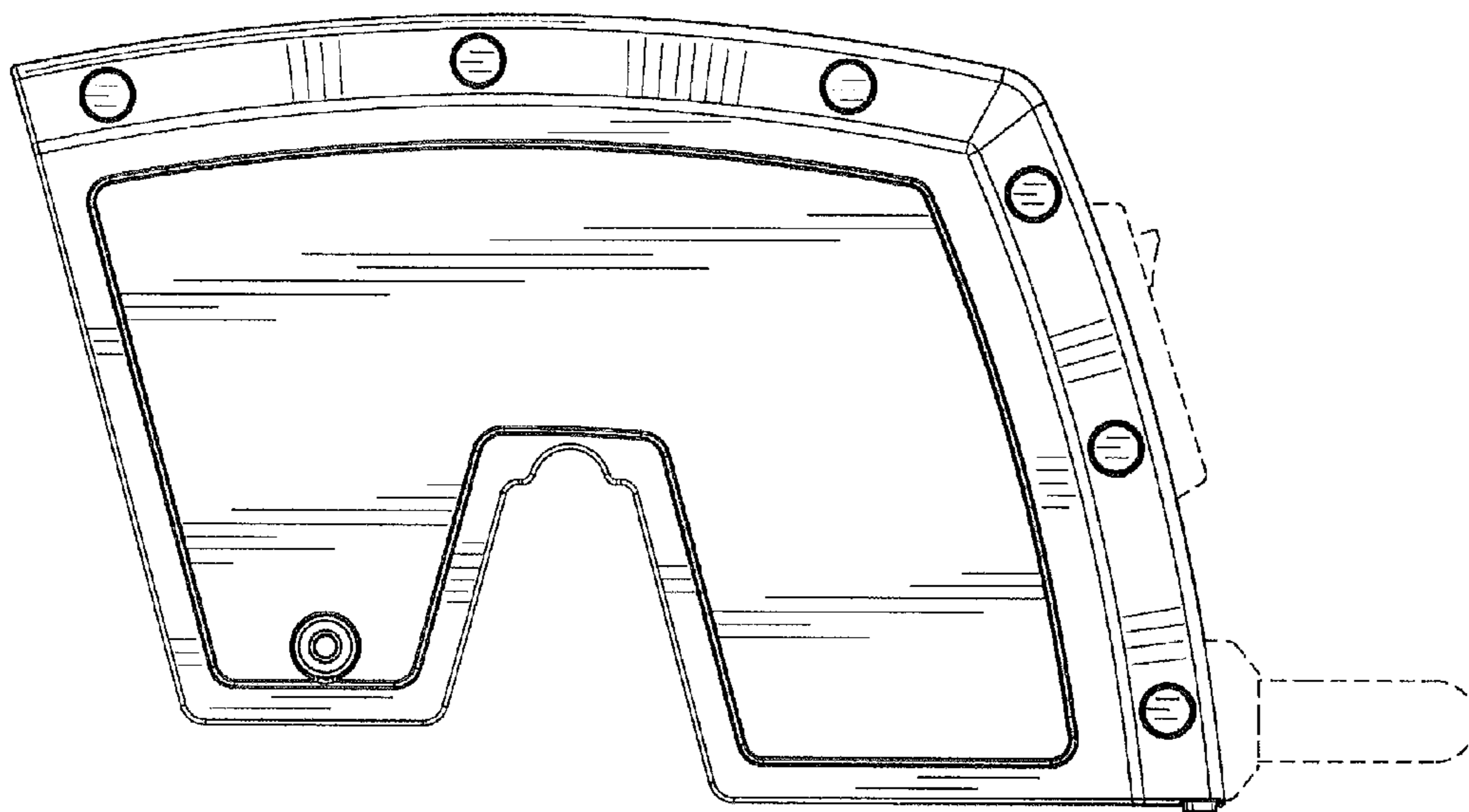


Fig. 5

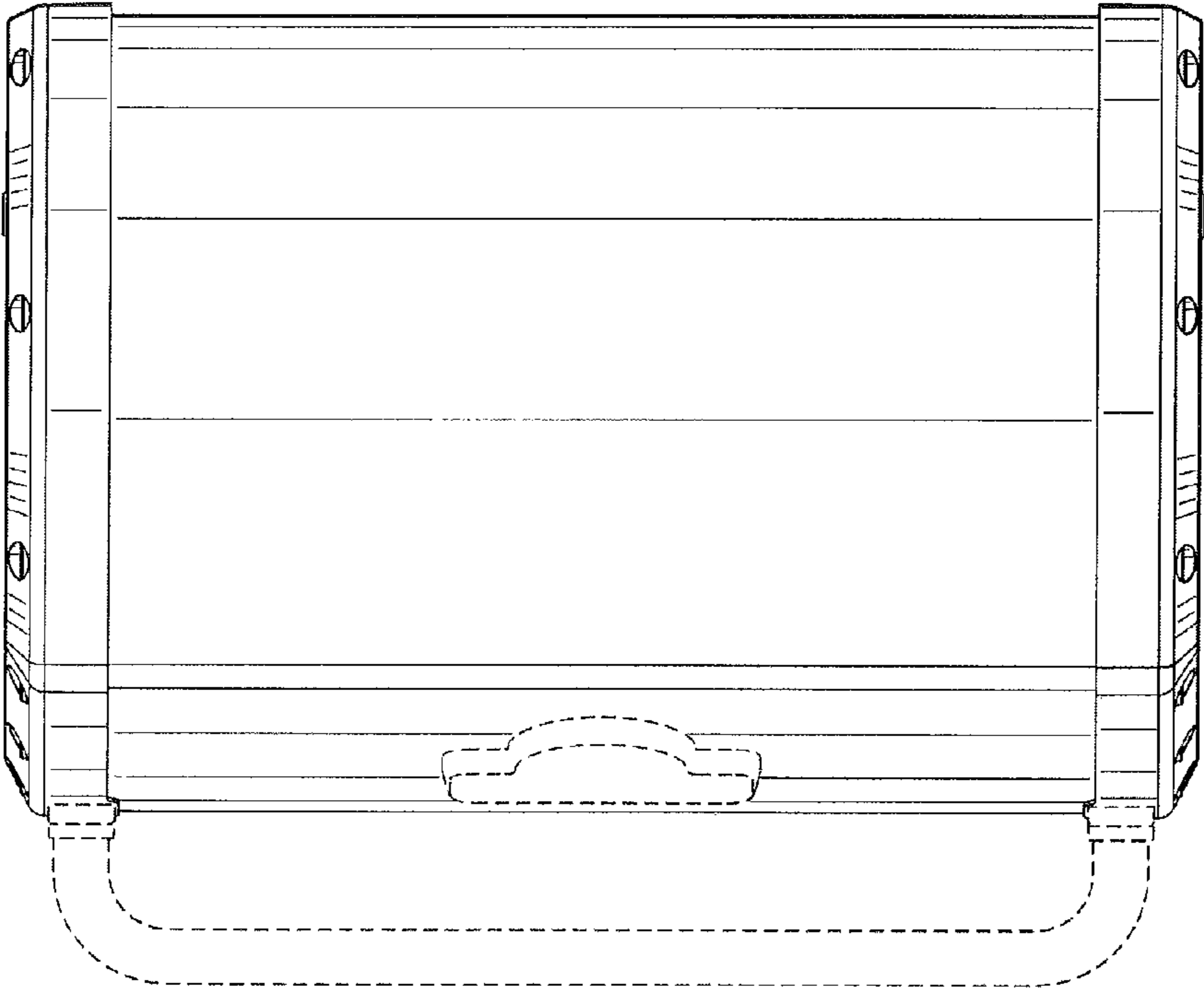


Fig. 6

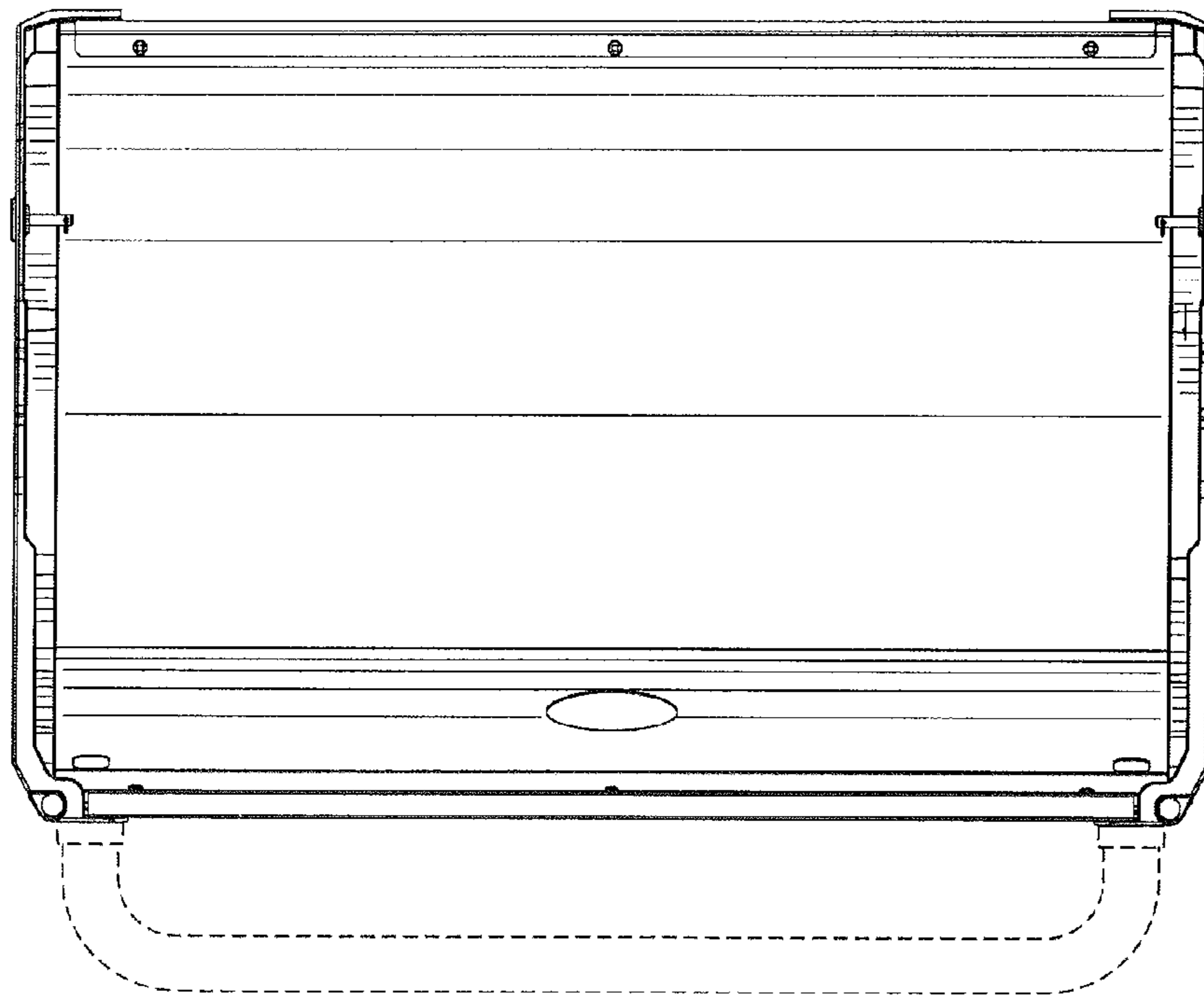


Fig. 7

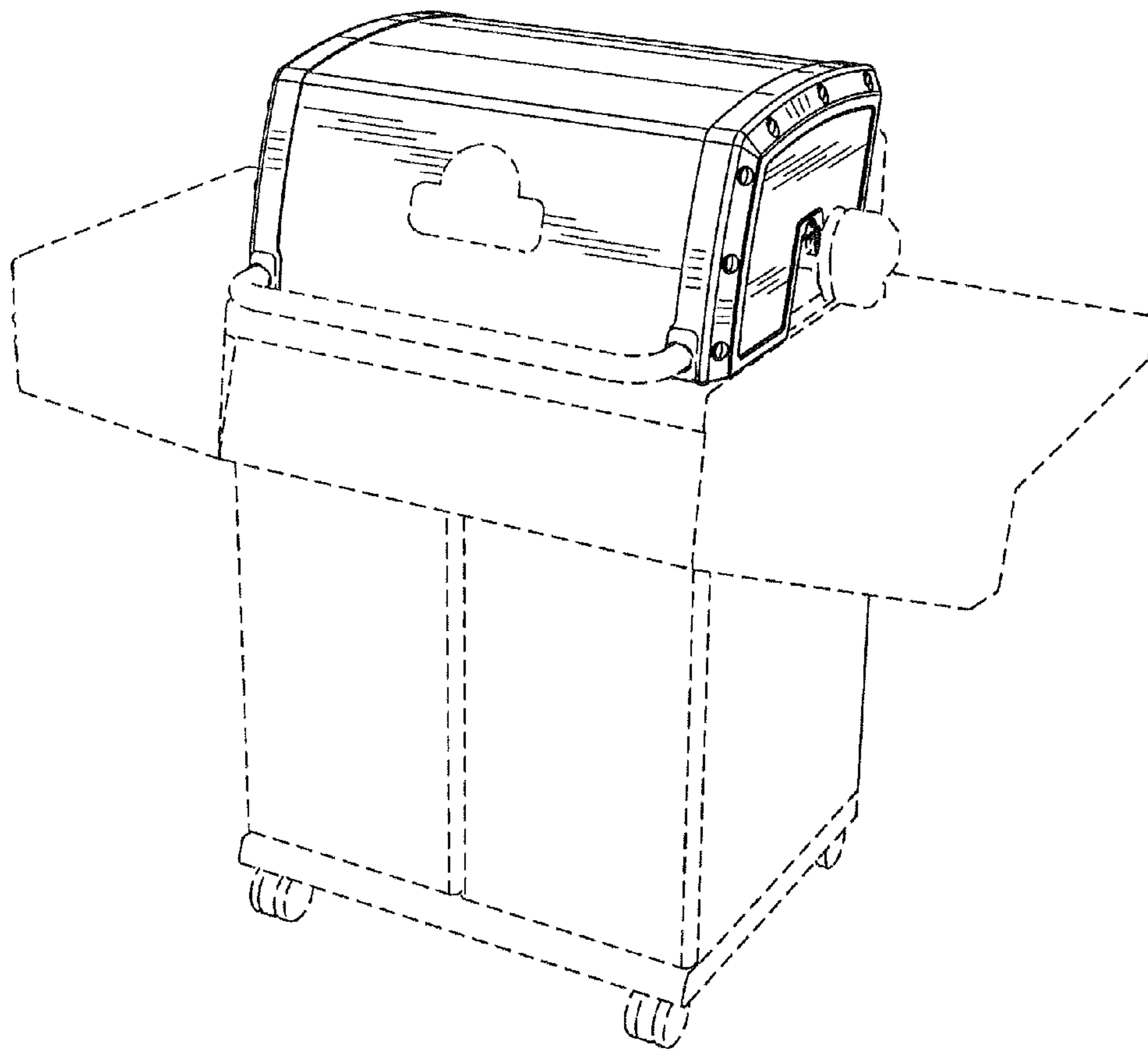


Fig. 8