



US00D671359S

(12) **United States Design Patent**  
**Windmiller**

(10) **Patent No.:** **US D671,359 S**  
(45) **Date of Patent:** **\*\* Nov. 27, 2012**

(54) **TOP LID ASSEMBLY FOR BOTTLE**

(76) Inventor: **David Windmiller**, Melville, NY (US)

(\*\*) Term: **14 Years**

(21) Appl. No.: **29/406,584**

(22) Filed: **Nov. 16, 2011**

(51) **LOC (9) Cl.** ..... **07-02**

(52) **U.S. Cl.** ..... **D7/392.1**

(58) **Field of Classification Search** ..... D7/391,  
D7/392.1, 396.2, 507, 509, 510, 511, 512,  
D7/523, 529, 532, 608, 900; D9/436, 439,  
D9/443, 446, 454, 503, 716, 719; 220/23.83,  
220/254.3, 288, 501, 705, 709, 710, 711;  
215/11.6, 347; 222/185.1

See application file for complete search history.

(56) **References Cited**

**U.S. PATENT DOCUMENTS**

2,064,584 A	12/1936	Aronson
2,937,795 A	5/1960	Ciliberti
3,325,031 A	6/1967	Singier
D214,147 S	5/1969	Ritsi
3,482,731 A	12/1969	Douty
D216,541 S	2/1970	Koenigsberg
3,654,743 A	4/1972	McGeary
3,718,165 A	2/1973	Grothoff
3,904,079 A	9/1975	Kross
3,930,598 A	1/1976	Slagle
3,940,019 A	2/1976	Kross et al.
3,993,218 A	11/1976	Reichenberger
4,133,457 A	1/1979	Klassen
4,142,651 A	3/1979	Leopoldi et al.
4,162,028 A	7/1979	Reichenberger
4,197,884 A	4/1980	Maran
4,473,097 A	9/1984	Knickerbocker et al.
4,481,986 A	11/1984	Meyers
RE32,142 E	5/1986	Meyers
4,685,598 A	8/1987	Nezworski
4,709,734 A	12/1987	Rudick et al.
4,728,006 A	3/1988	Drobish et al.
4,729,495 A	3/1988	Aschberger et al.

4,877,065 A	10/1989	Lambooy et al.
4,938,387 A	7/1990	Kervefors et al.
4,966,300 A	10/1990	Coonradt
5,115,950 A	5/1992	Rohr
5,150,815 A	9/1992	Saklad

(Continued)

**FOREIGN PATENT DOCUMENTS**

DE 3814937 C1 6/1989

(Continued)

**OTHER PUBLICATIONS**

International Search Report for application No. PCT/US05/42043,  
dated Mar. 14, 2006.

(Continued)

*Primary Examiner* — Cynthia M Chin

(74) *Attorney, Agent, or Firm* — Carter, DeLuca, Farrell &  
Schmidt LLP

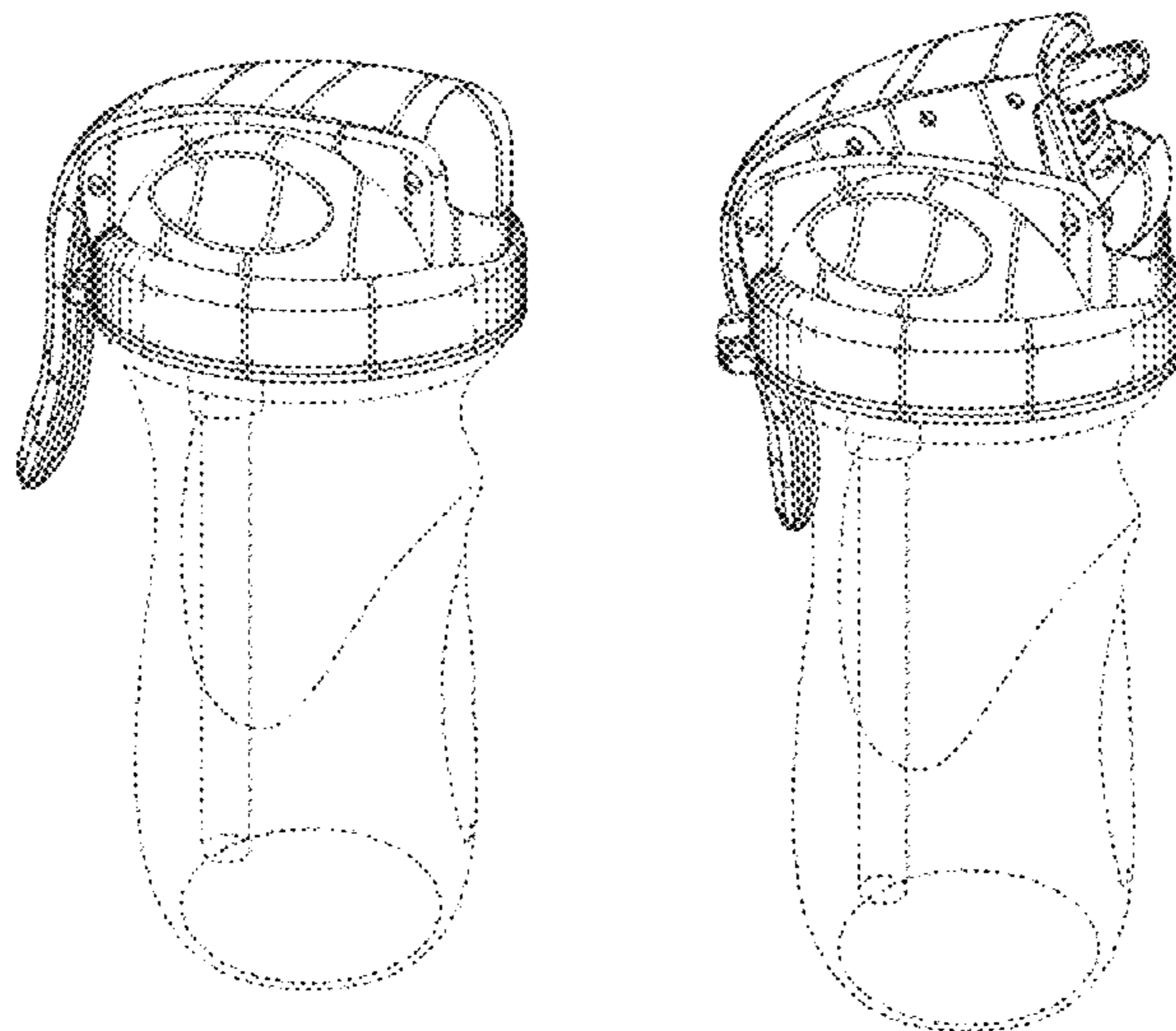
(57) **CLAIM**

The ornamental design for a top lid assembly for bottle, as  
shown and described.

**DESCRIPTION**

FIG. 1 is a front side perspective view of a top lid assembly for  
bottle in accordance with the present design;  
FIG. 2 is a top plan view thereof;  
FIG. 3 is a bottom plan view thereof;  
FIG. 4 is a right side elevational view thereof;  
FIG. 5 is a left side elevational view thereof;  
FIG. 6 is a front elevational view thereof;  
FIG. 7 is a rear elevational view thereof; and,  
FIG. 8 is a front perspective view of the top lid assembly for  
bottle in an open configuration.  
The broken lines shown are included for the purpose of illus-  
trating portions of the top lid assembly for bottle that form no  
part of the claimed design.

**1 Claim, 7 Drawing Sheets**



# US D671,359 S

## U.S. PATENT DOCUMENTS

5,167,819	A	12/1992	Iana et al.	
5,203,468	A	4/1993	Hsu	
5,213,236	A	5/1993	Brown et al.	
5,265,757	A	11/1993	Wu	
5,282,541	A	2/1994	Chen	
5,312,019	A	5/1994	Tsao	
5,337,918	A	8/1994	Wang	
5,339,982	A	8/1994	Tardie	
5,339,995	A	8/1994	Brown et al.	
5,343,904	A	9/1994	Kaesser	
5,346,081	A	9/1994	Lin	
5,361,934	A	11/1994	Spence, Jr.	
5,377,877	A	1/1995	Brown et al.	
5,388,620	A	2/1995	Lasserre et al.	
5,409,144	A	4/1995	Brown	
5,411,183	A	5/1995	Hildebrandt	
5,431,290	A	7/1995	Vinciguerra	
5,439,143	A	8/1995	Brown et al.	
5,484,080	A	1/1996	Blasnik et al.	
5,518,142	A	5/1996	Lin	
5,524,680	A	6/1996	DeLaforcade	
5,535,791	A	7/1996	Lisec	
5,545,315	A	8/1996	Lonneman	
D376,430	S	12/1996	Humphrey et al.	
5,579,948	A	12/1996	Lin	
5,582,320	A	12/1996	Lin	
5,609,759	A	3/1997	Nohren, Jr. et al.	
5,623,974	A	4/1997	Losenzo et al.	
5,632,892	A	5/1997	Klein	
5,743,443	A	4/1998	Hins	
5,817,231	A	10/1998	Souza	
5,839,614	A	11/1998	Brown	
5,884,793	A	3/1999	Wang	
5,919,365	A	7/1999	Collette	
5,927,566	A	7/1999	Mueller	
D413,067	S	8/1999	Haley	
5,971,225	A	10/1999	Kapsa	
6,004,460	A	12/1999	Palmer et al.	
D421,571	S *	3/2000	Kilian ..... D9/443	
6,050,433	A	4/2000	Russell et al.	
6,089,411	A	7/2000	Baudin et al.	
6,089,418	A	7/2000	Gaiser et al.	
6,095,381	A	8/2000	Schwanenberg	
6,117,319	A	9/2000	Cranshaw	
6,120,682	A	9/2000	Cook	
D433,337	S	11/2000	Cautereels	
6,153,096	A	11/2000	Nohren, Jr.	
6,165,362	A	12/2000	Nohren, Jr. et al.	
6,206,058	B1	3/2001	Nagel et al.	
6,230,940	B1	5/2001	Manning et al.	
6,293,437	B1	9/2001	Socier et al.	
6,344,146	B1	2/2002	Moorehead et al.	
6,367,668	B1	4/2002	Schwanenberg	
6,371,329	B1	4/2002	Wild	
6,390,341	B1	5/2002	Ohmi et al.	
6,405,901	B1	6/2002	Schantz et al.	

6,427,730	B2	8/2002	Nagel et al.	
6,427,874	B2	8/2002	Brown et al.	
6,468,435	B1	10/2002	Hughes et al.	
6,491,069	B2	12/2002	Nagel et al.	
6,494,346	B2	12/2002	Gross et al.	
6,523,711	B1	2/2003	Hughes et al.	
6,530,504	B2	3/2003	Socier	
D473,092	S *	4/2003	Heiberg et al. .... D7/319	
6,569,329	B1	5/2003	Nohren, Jr.	
6,607,012	B2	8/2003	Yquel	
6,607,013	B1	8/2003	Leoni	
D481,951	S	11/2003	Scott, III	
D486,739	S	2/2004	Taylor et al.	
6,684,915	B1	2/2004	Ver Hage	
6,729,362	B2	5/2004	Scheindel	
6,779,435	B1	8/2004	Iacobucci	
6,919,025	B2	7/2005	Cluff et al.	
D511,684	S *	11/2005	Guyot ..... D9/443	
D511,836	S	11/2005	Morano et al.	
7,093,735	B2	8/2006	Stephens	
7,124,907	B2	10/2006	Conaway	
7,377,296	B2	5/2008	Gueret	
D586,183	S *	2/2009	Junkel ..... D7/511	
D588,856	S	3/2009	Toth et al.	
D591,160	S	4/2009	Windmiller	
7,516,862	B2	4/2009	McDonough	
7,708,035	B2	5/2010	Windmiller	
D620,747	S *	8/2010	Taketani et al. .... D7/392.1	
7,766,057	B2	8/2010	Windmiller	
D623,896	S *	9/2010	Wahl et al. .... D7/510	
D634,972	S *	3/2011	Staton ..... D7/392.1	
D657,994	S *	4/2012	Wahl et al. .... D7/392	
D658,448	S *	5/2012	Ying ..... D7/608	
2002/0134801	A1	9/2002	Stewart	
2002/0170874	A1	11/2002	Hou	
2003/0085232	A1	5/2003	Leinenweber	
2005/0029271	A1	2/2005	McDonough	
2005/0092760	A1	5/2005	Westerhold	
2008/0277020	A1	11/2008	Windmiller	
2009/0145839	A1	6/2009	Miga, Jr.	
2011/0049169	A1	3/2011	Rosnak et al.	
2011/0062170	A1	3/2011	Kemper et al.	

## FOREIGN PATENT DOCUMENTS

GB	2137181	A	10/1984
WO	2005/058745	A2	6/2005

## OTHER PUBLICATIONS

International Search Report for application No. PCT/US05/42041, dated Mar. 9, 2006.

International Search Report for application No. PCT/US05/42042, dated Mar. 8, 2006.

International Search Report for application No. PCT/US05/42051, dated Mar. 22, 2006.

\* cited by examiner

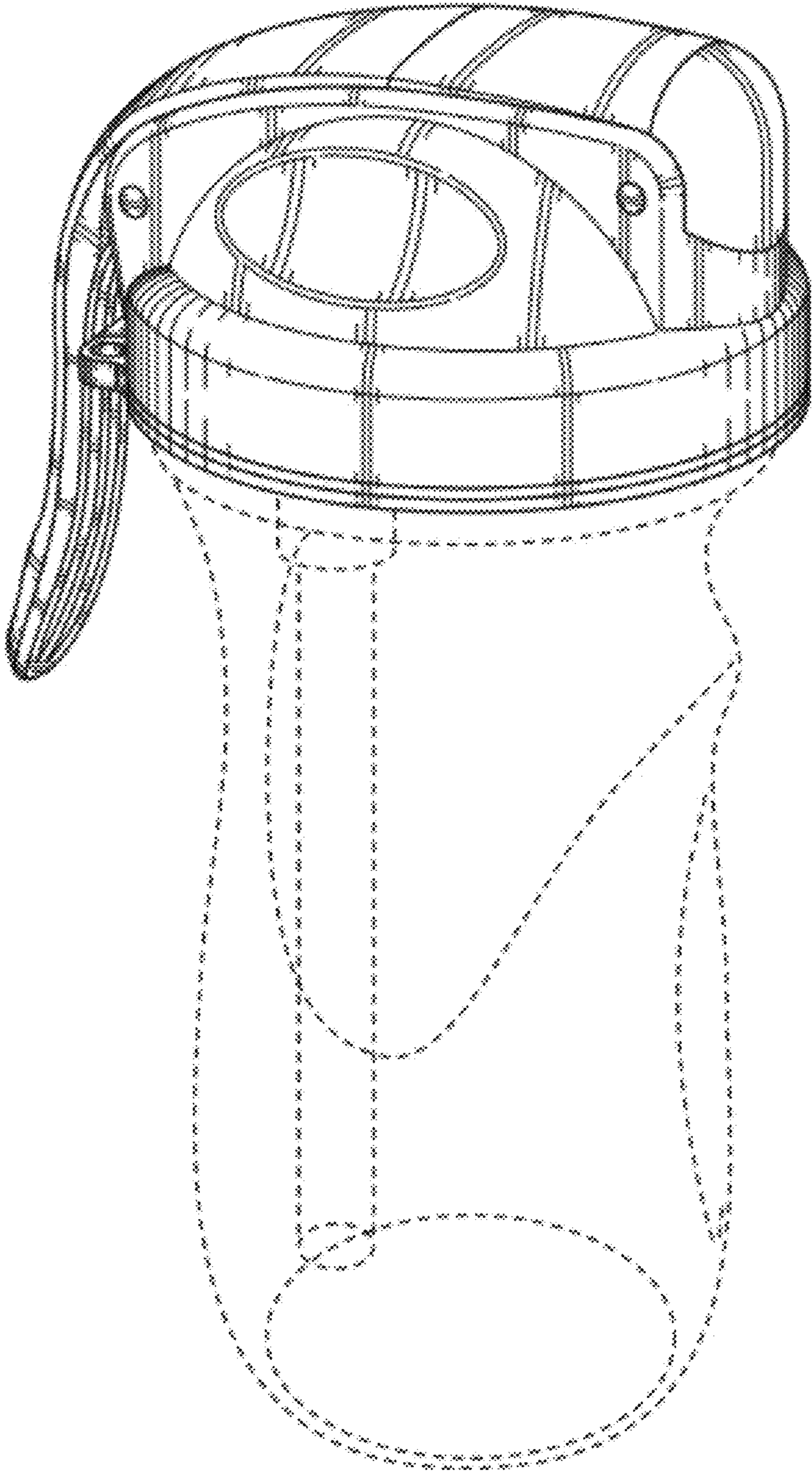


FIG. 1

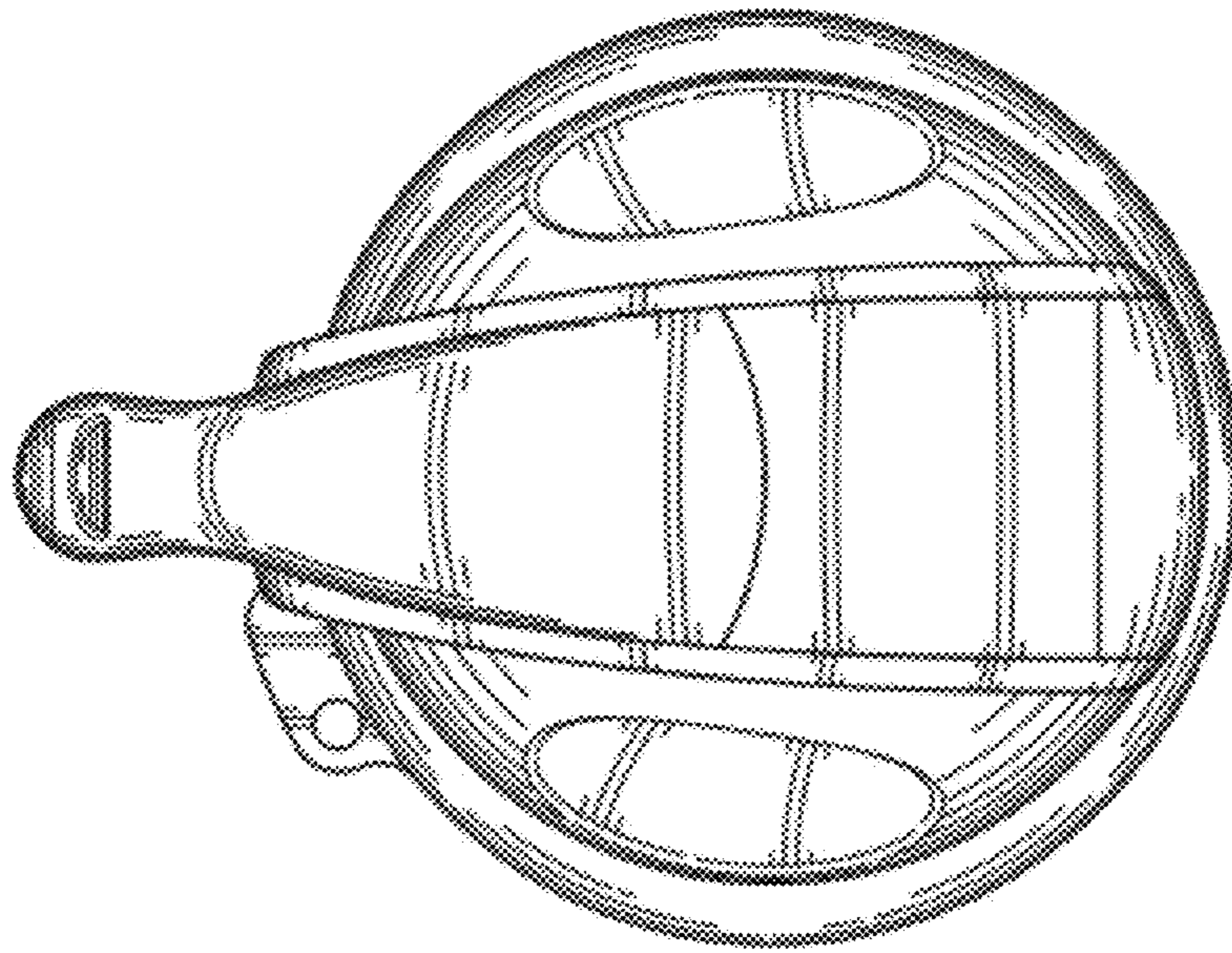


FIG. 2

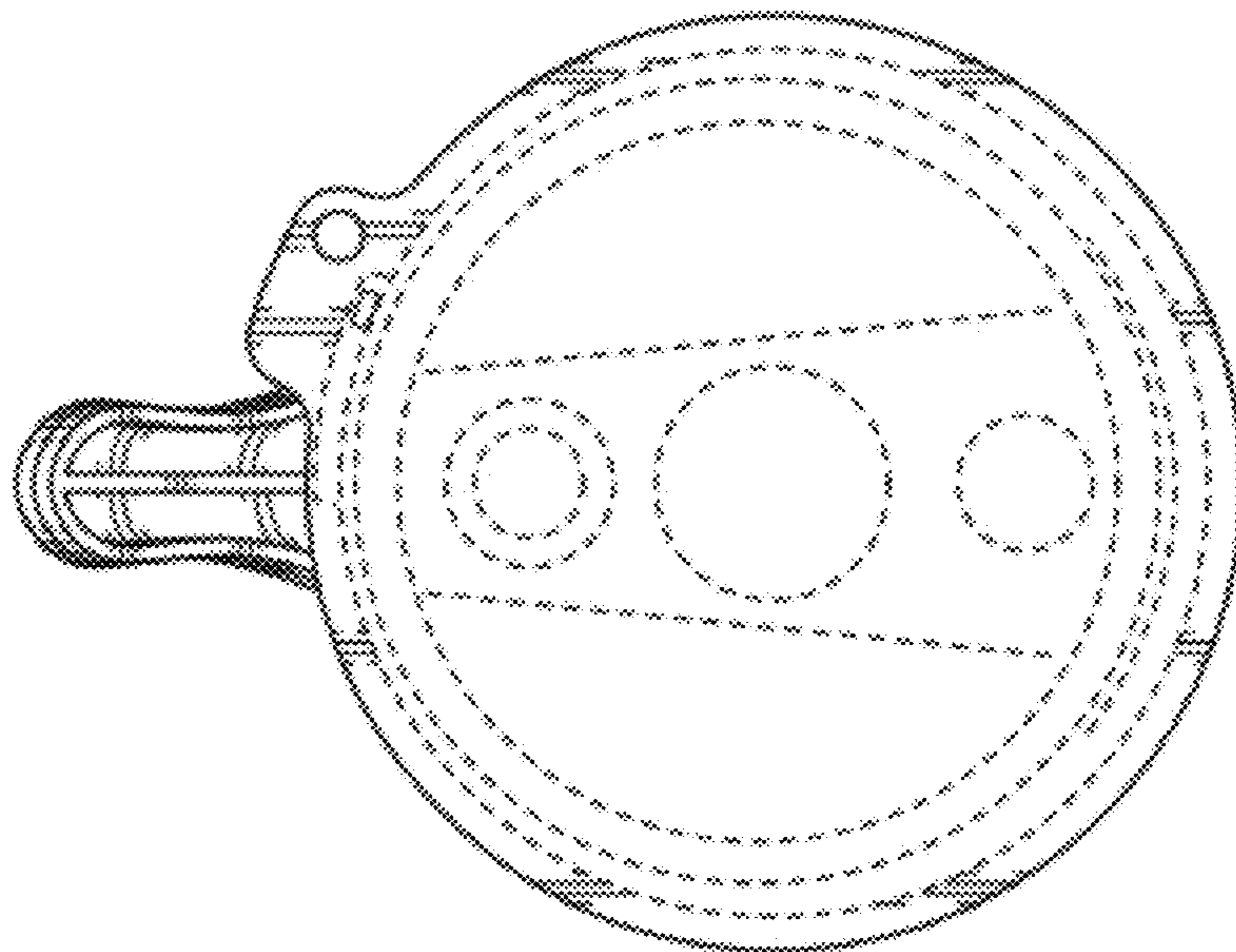


FIG. 3

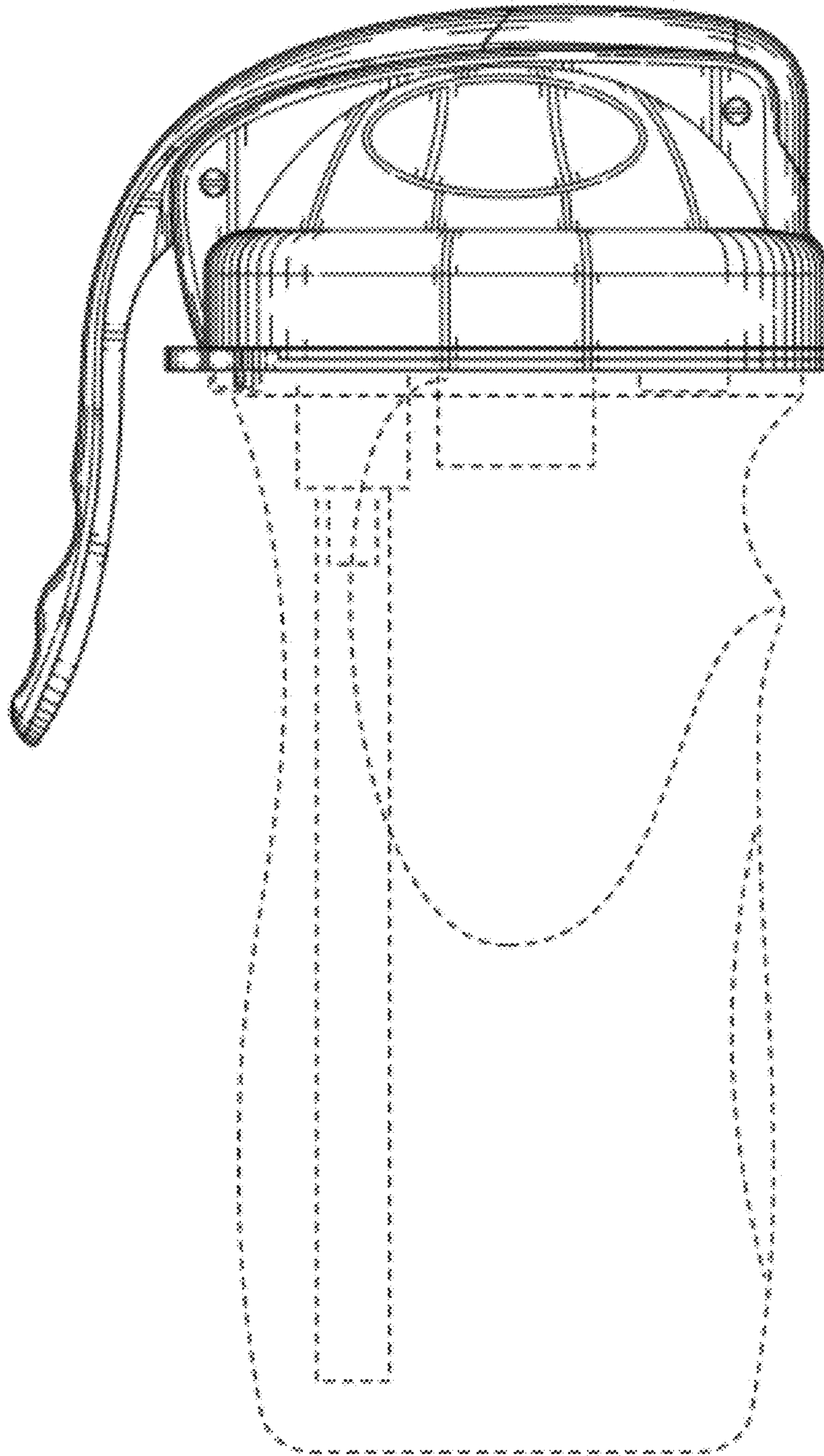


FIG. 4

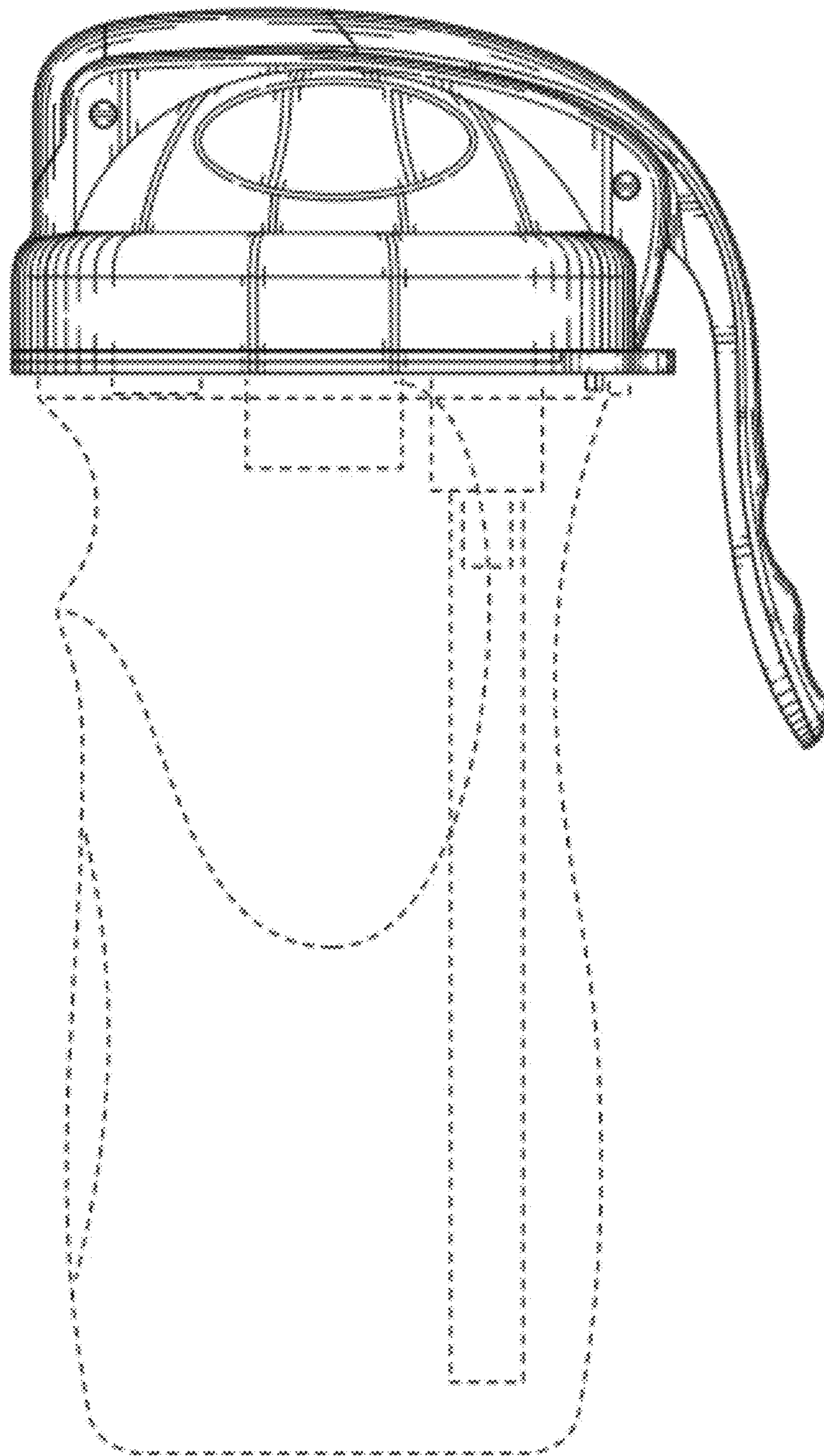


FIG. 5

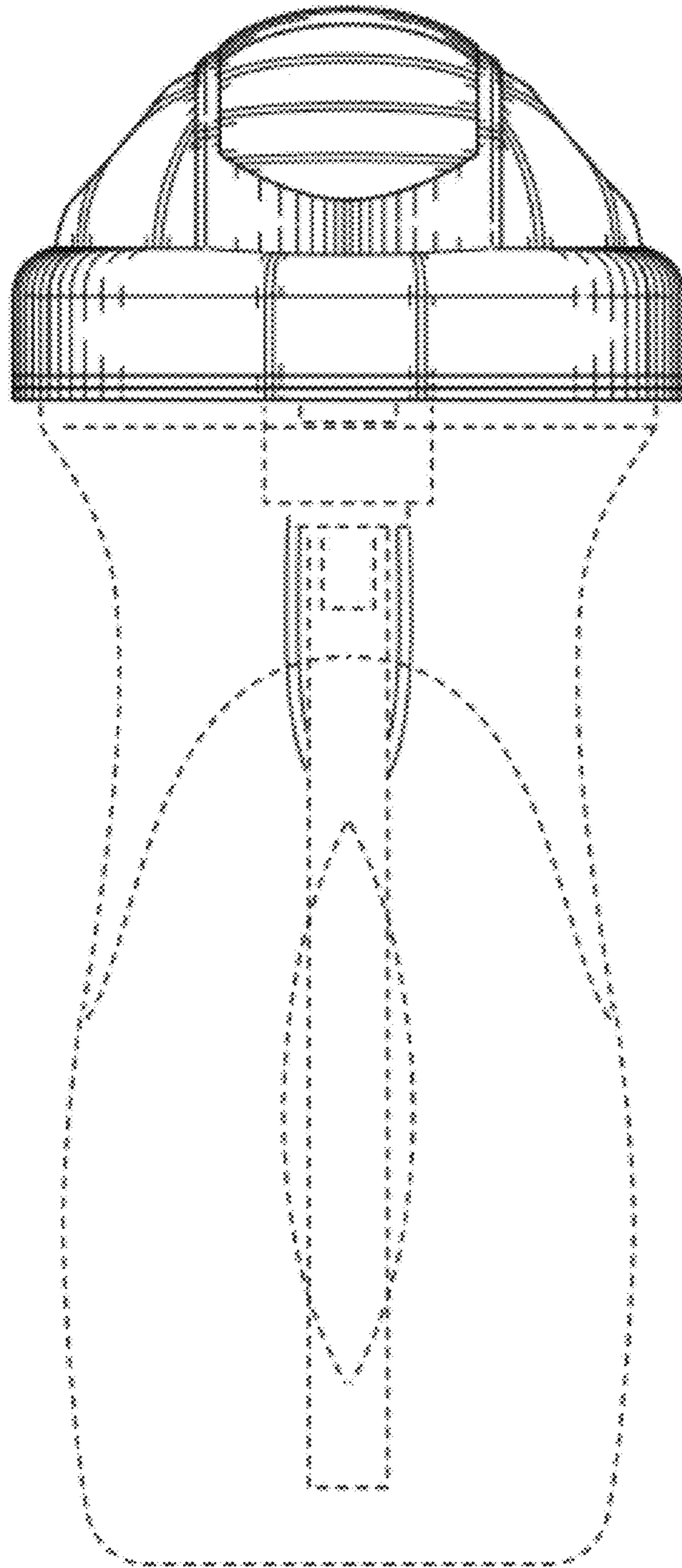


FIG. 6

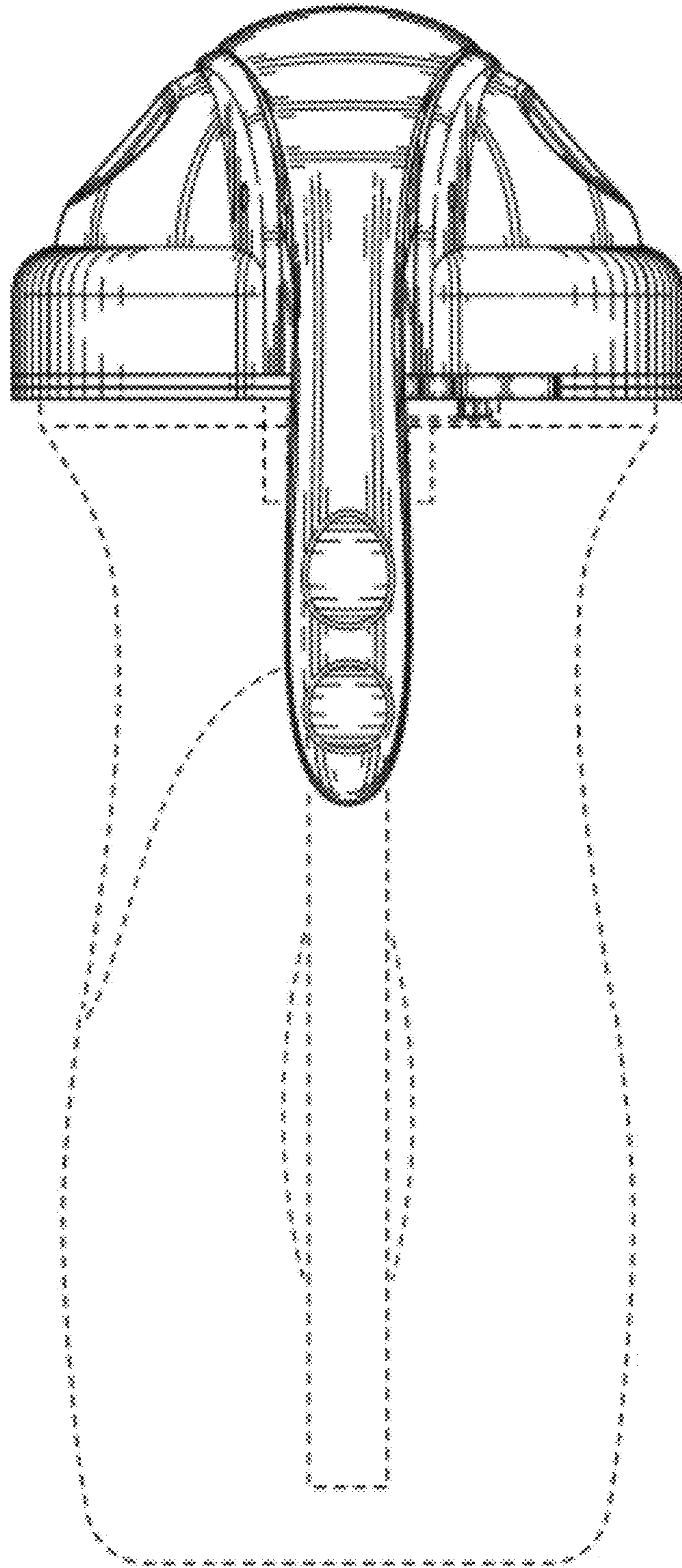


FIG. 7



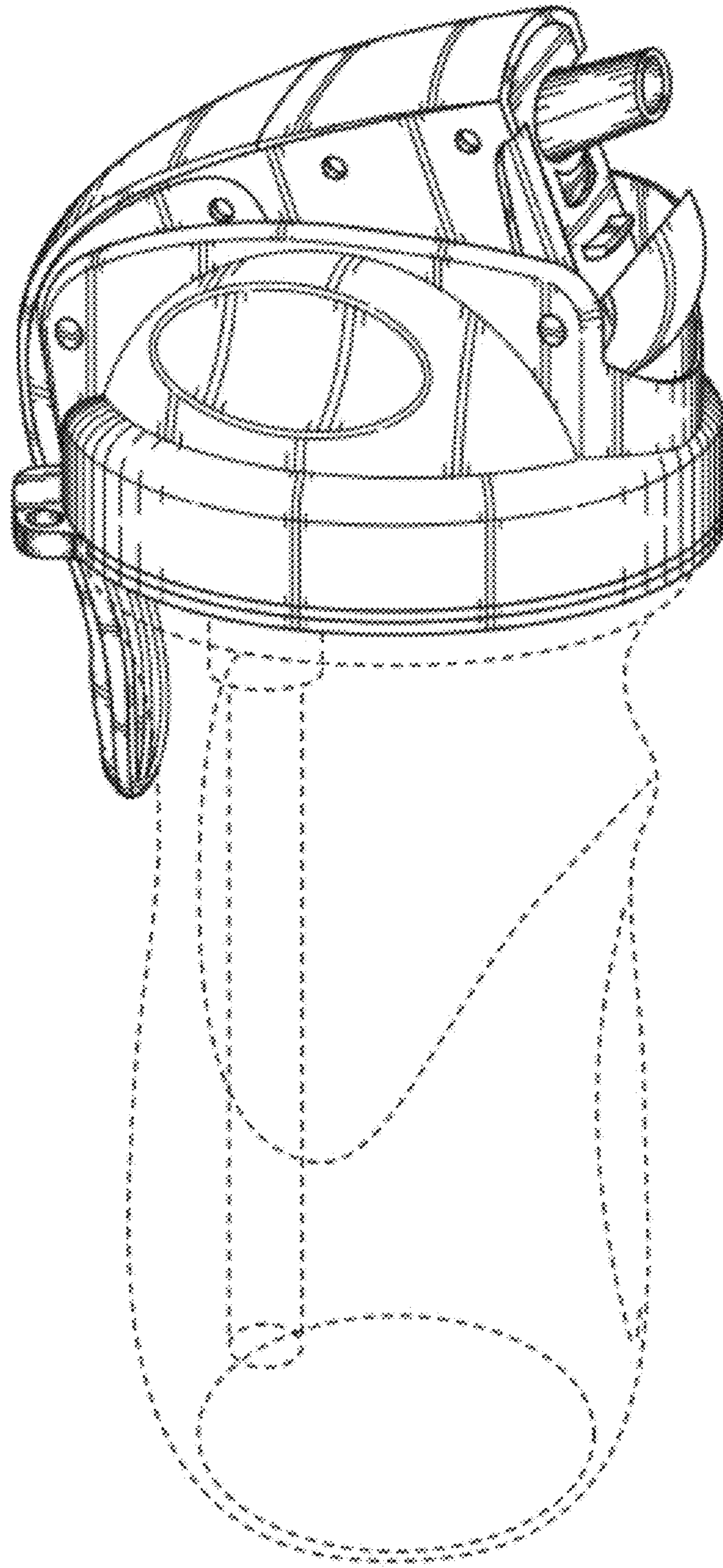


FIG. 8