



US00D671357S

(12) **United States Design Patent**
Trombly

(10) **Patent No.:** **US D671,357 S**

(45) **Date of Patent:** **** Nov. 27, 2012**

(54) **LID**
(75) Inventor: **Edgar Trombly**, Pointe Farms, MI (US)
(73) Assignee: **Punch Products USA, Inc.**, Rahway, NJ (US)

D625,951 S 10/2010 Baek
D627,223 S * 11/2010 Storti et al. D9/443
D627,604 S 11/2010 Eyal
D632,522 S * 2/2011 Wahl et al. D7/392.1
D635,855 S 4/2011 Smith et al.
D638,658 S * 5/2011 Staton D7/392
D643,245 S 8/2011 Minarsch
2006/0081633 A1 4/2006 Schmidtner et al.

(**) Term: **14 Years**

(21) Appl. No.: **29/391,660**

(22) Filed: **May 11, 2011**

(51) **LOC (9) Cl.** **07-02**

(52) **U.S. Cl.** **D7/392.1**

(58) **Field of Classification Search** D7/316,
D7/317, 391, 392, 392.1, 396.2, 509, 510,
D7/511, 629; D9/434, 435, 440, 444, 445,
D9/447, 449-450, 454, 503-504; 215/211,
215/200, 224, 228, 243; 220/254.3, 254.7,
220/254.9, 269, 270, 271, 700, 701, 703,
220/711, 713-715, 719

See application file for complete search history.

(56) **References Cited**

U.S. PATENT DOCUMENTS

D362,186 S * 9/1995 Thanisch D9/446
D416,755 S 11/1999 Trombly
D421,547 S * 3/2000 Demers D7/510
D482,936 S * 12/2003 Miller et al. D7/629
6,763,964 B1 7/2004 Hurlbut et al.
D527,219 S 8/2006 Trombly
D536,213 S 2/2007 Schuler et al.
D536,214 S 2/2007 Schuler et al.
D544,749 S 6/2007 Seum et al.
D572,083 S 7/2008 Tien
D589,747 S 4/2009 Wong
D623,896 S * 9/2010 Wahl et al. D7/510

OTHER PUBLICATIONS

U.S. Appl. No. 29/380,287, filed Dec. 2, 2010.
U.S. Appl. No. 29/380,287, Jul. 12, 2012, Issue fee payment.
U.S. Appl. No. 29/380,287, Jul. 11, 2012, Notice of Allowance.

* cited by examiner

Primary Examiner — Cynthia M Chin

(74) *Attorney, Agent, or Firm* — Baker Botts LLP

(57) **CLAIM**

The ornamental design for a lid, as shown and described.

DESCRIPTION

FIG. 1 is a perspective view of the lid, shown in use on a bottle.

FIG. 2 is a front view of the lid of FIG. 1.

FIG. 3 is a left side view of the lid of FIG. 1.

FIG. 4 is a back view of the lid of FIG. 1.

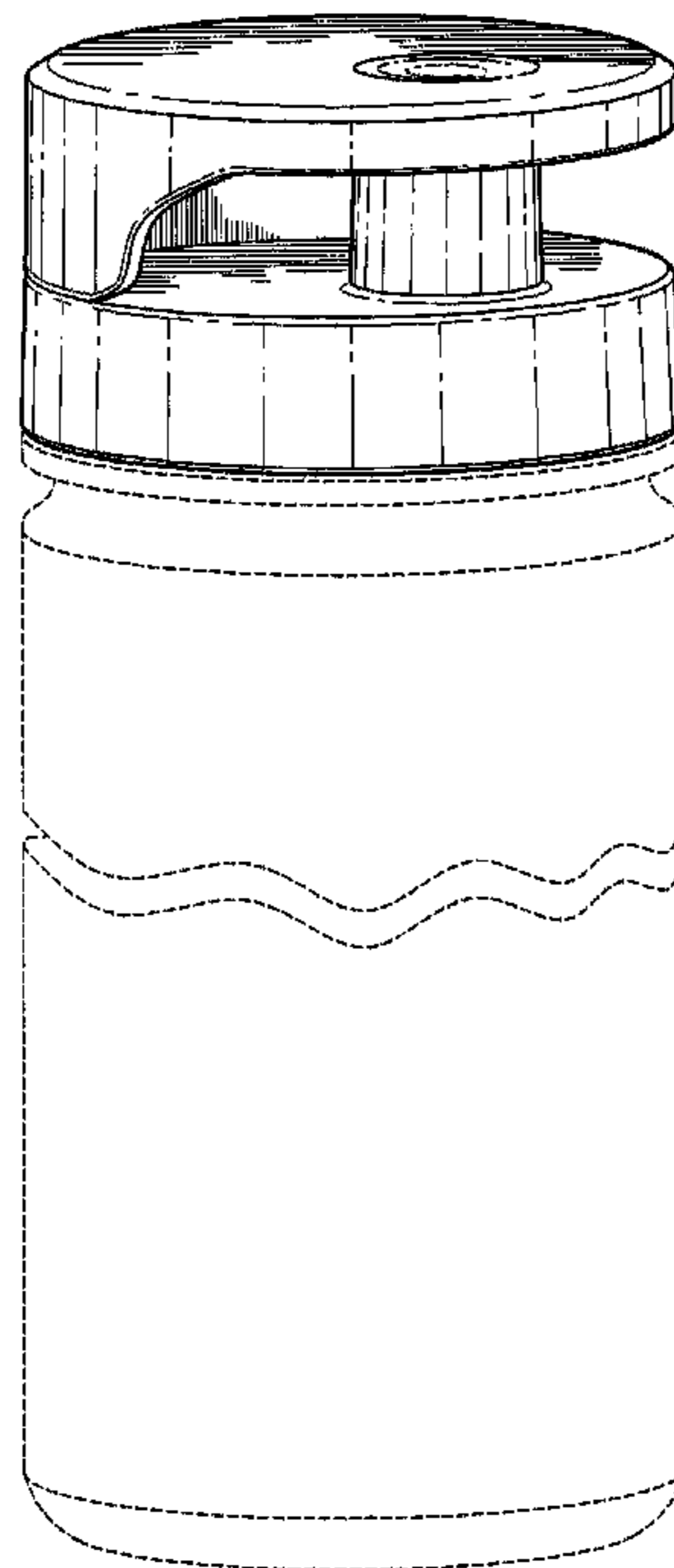
FIG. 5 is a right side view of the lid of FIG. 1.

FIG. 6 is a top view of the lid of FIG. 1; and,

FIG. 7 is a bottom view of the lid of FIG. 1.

The broken lines shown throughout these figures illustrate environmental subject matter only and form no part of the claimed design.

1 Claim, 7 Drawing Sheets



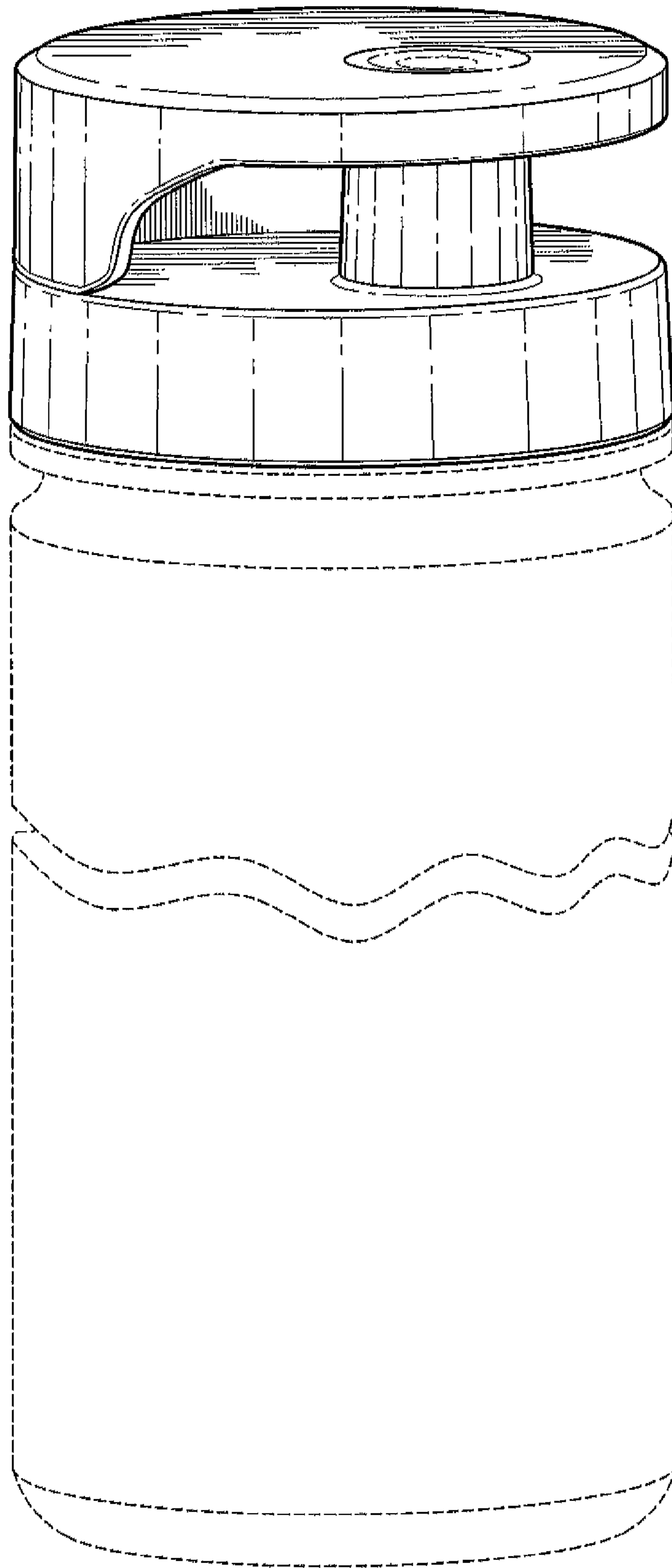


FIG. 1

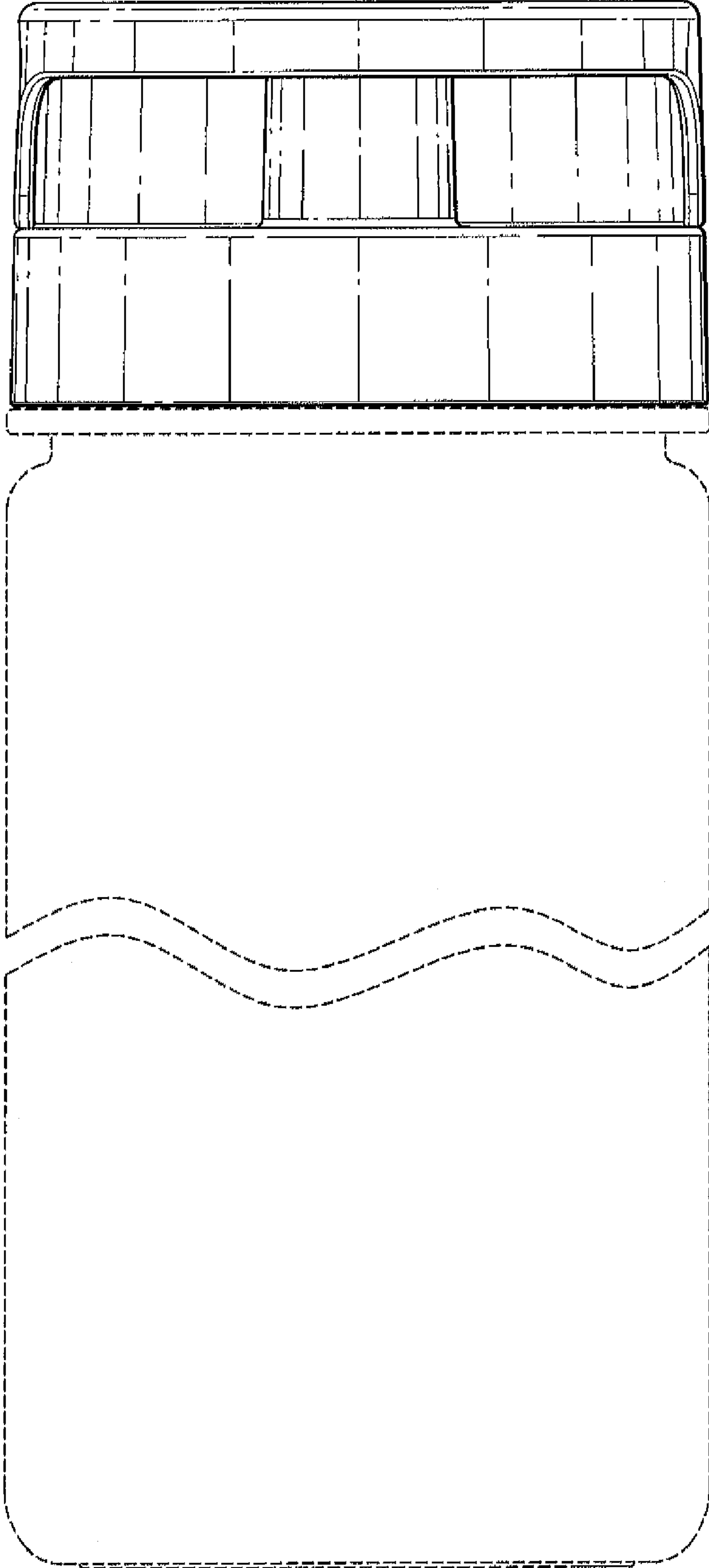


FIG. 2

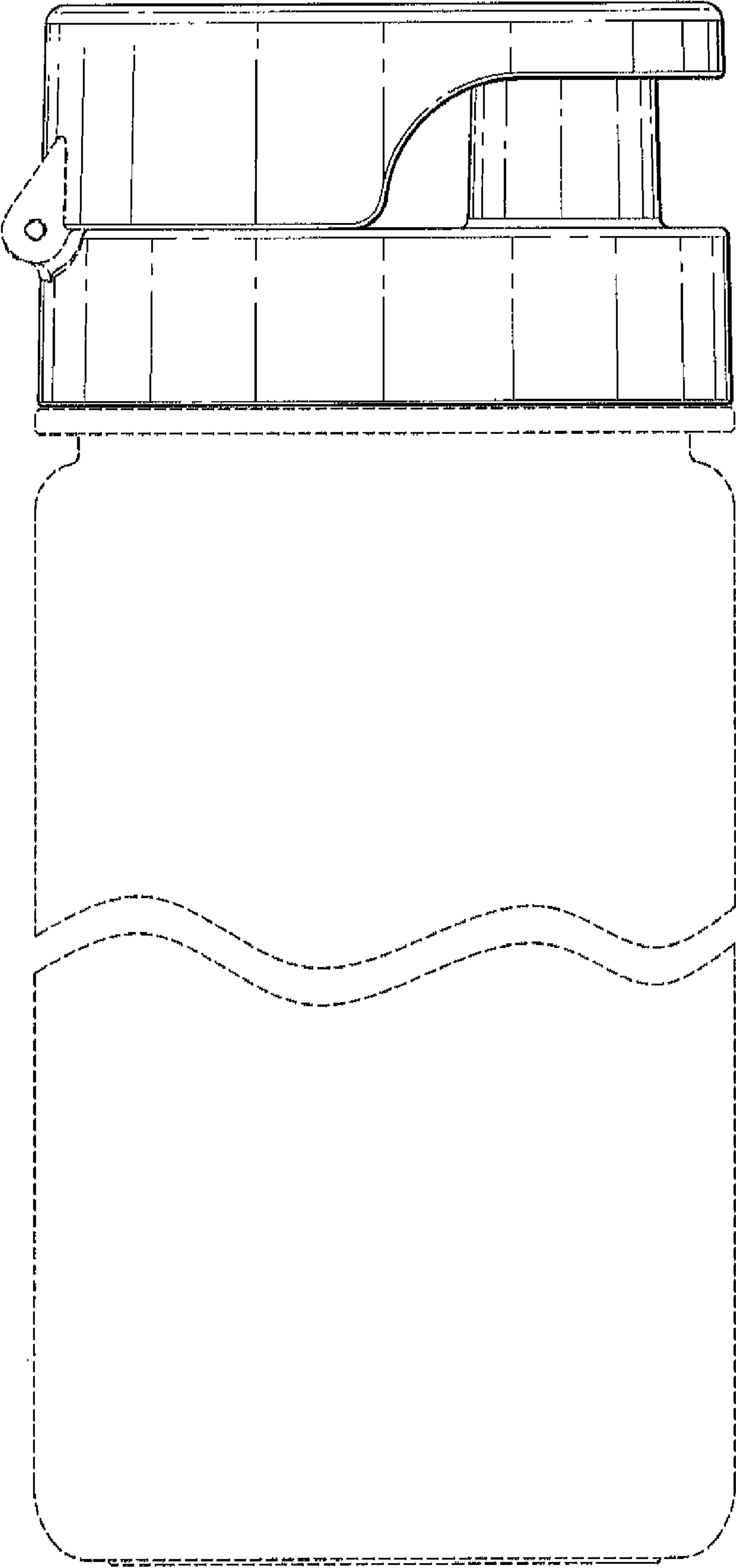


FIG. 3

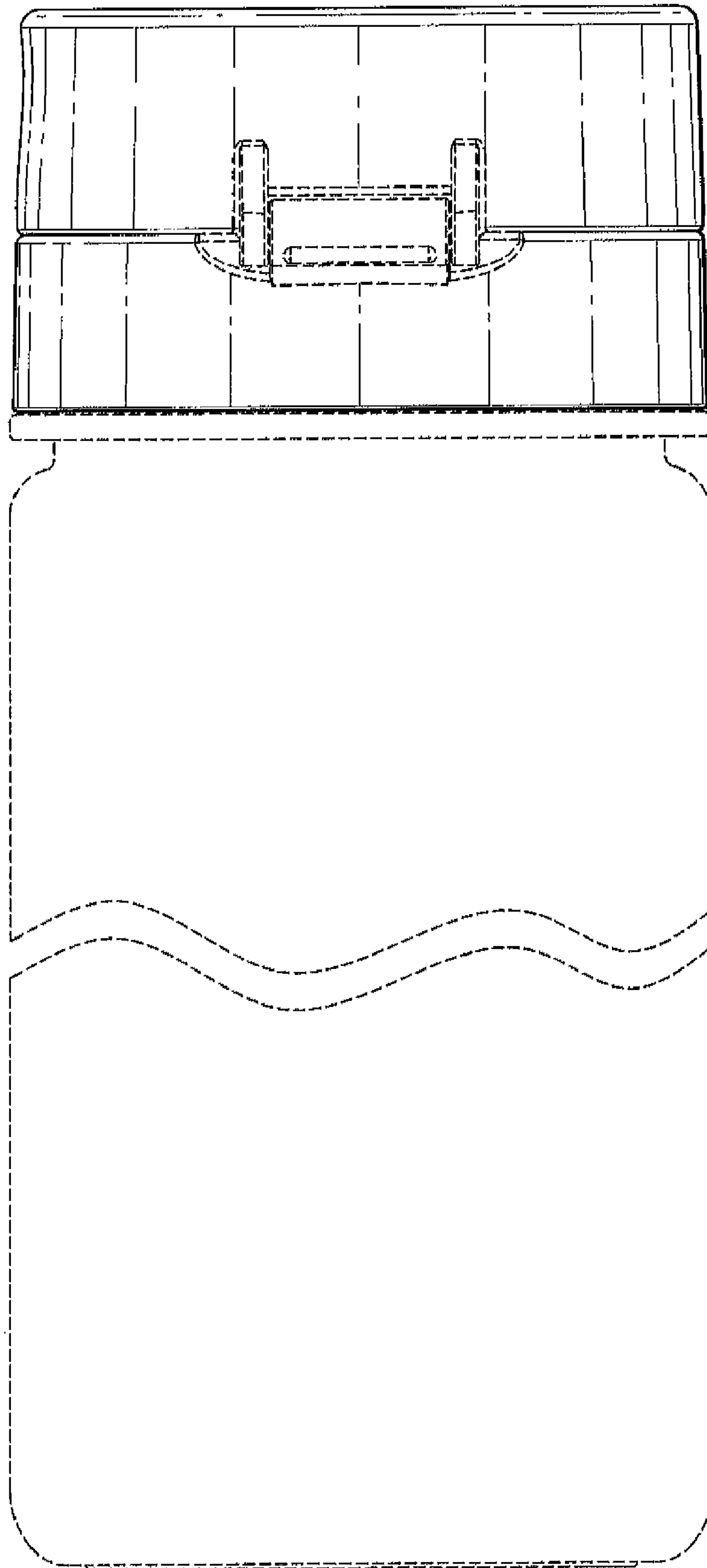


FIG. 4

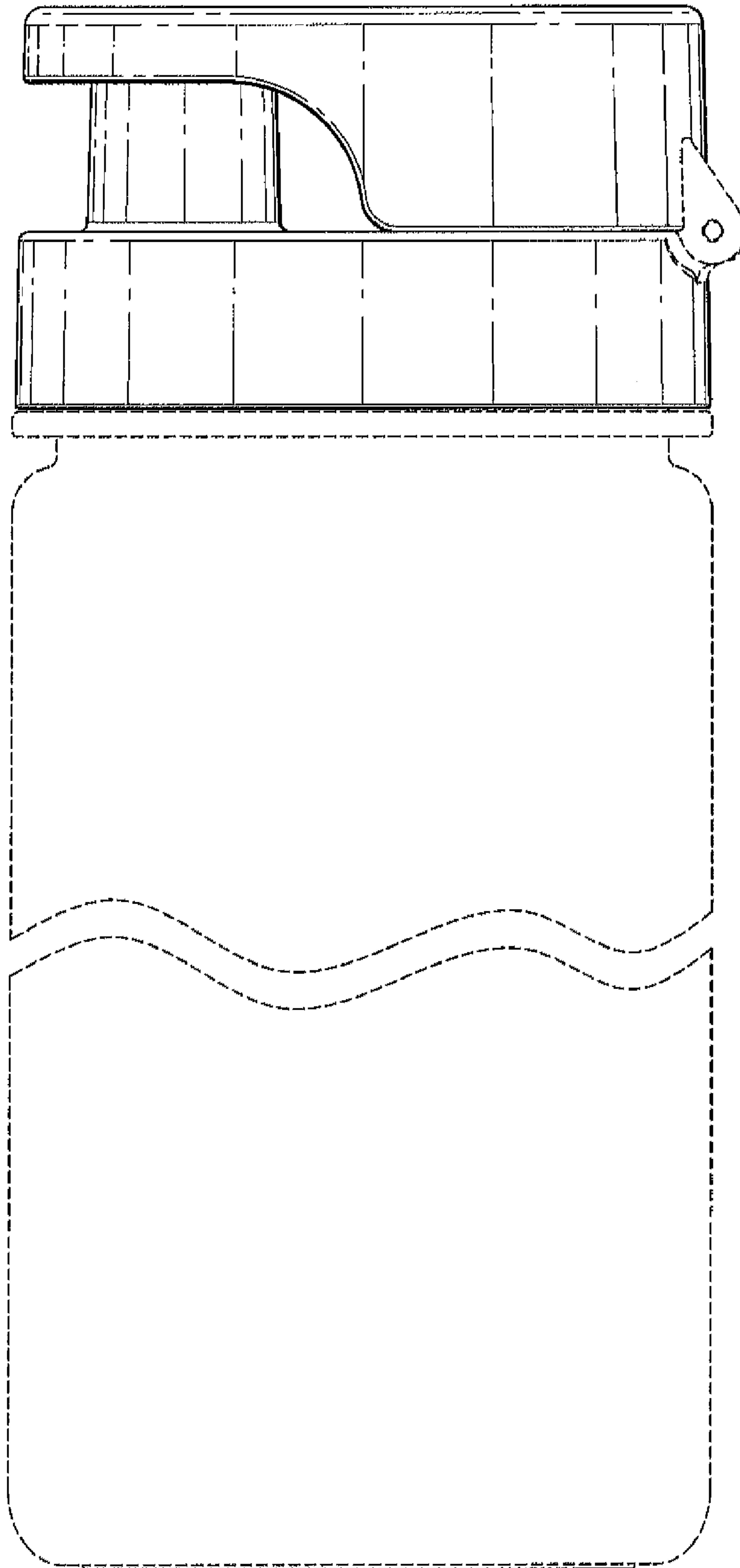


FIG. 5

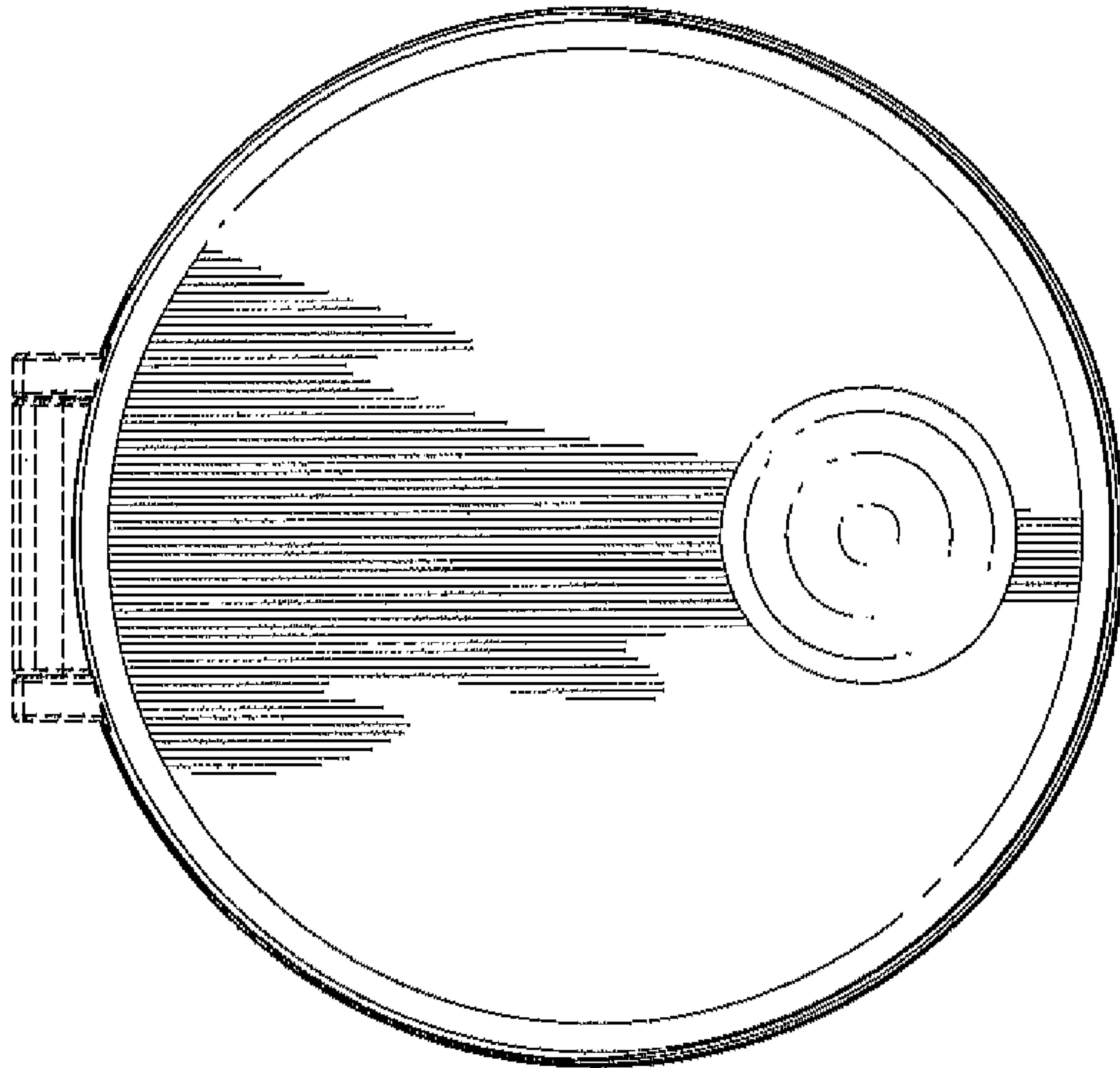


FIG. 6

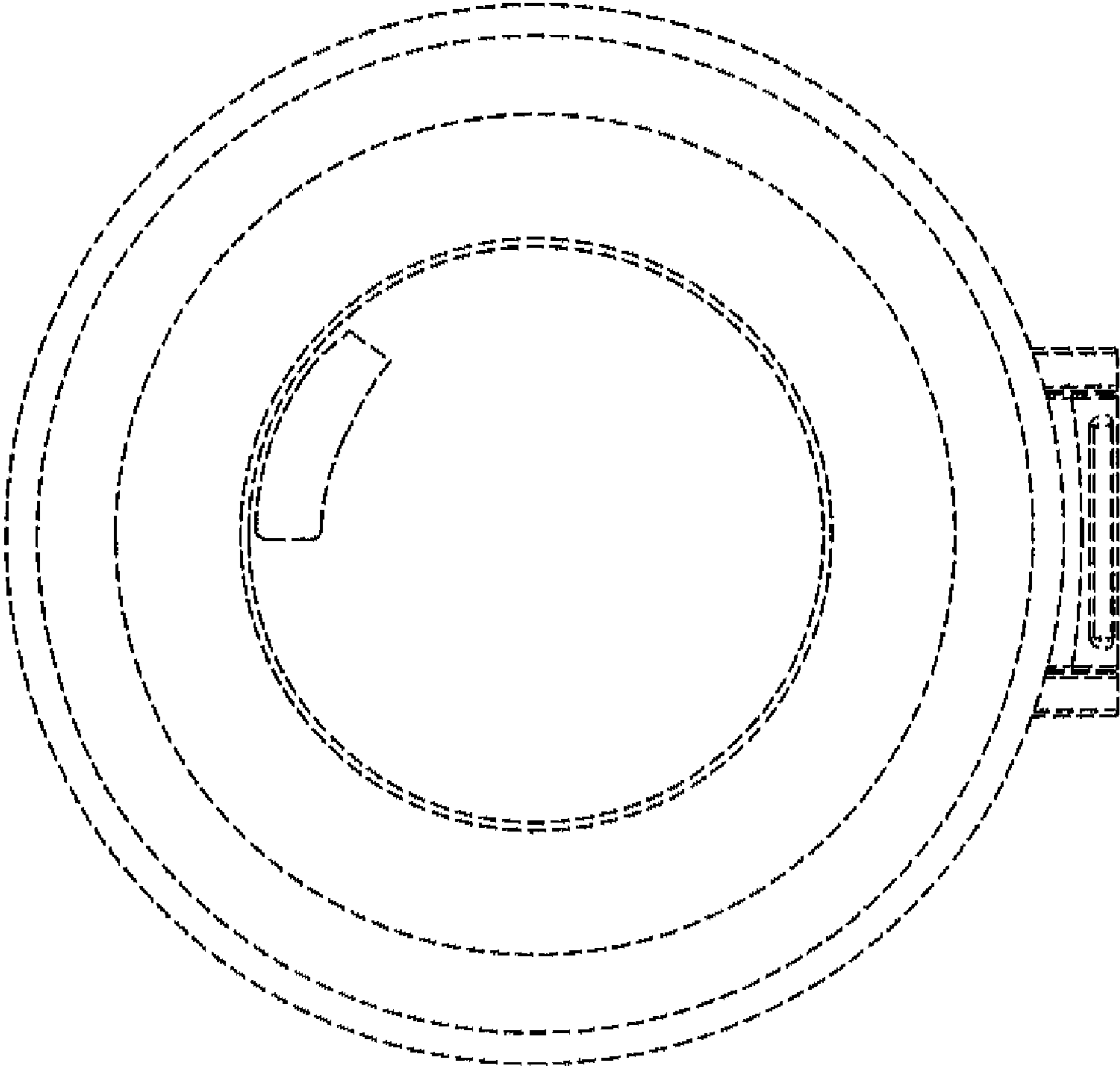


FIG. 7