



US00D671356S

(12) **United States Design Patent**
Huang et al.

(10) **Patent No.:** **US D671,356 S**

(45) **Date of Patent:** **** Nov. 27, 2012**

(54) **FOOD PROCESSOR**

(75) Inventors: **Chih-Hung Huang**, Guangdong (CN);
Bo-Min Ren, Guangdong (CN)

(73) Assignee: **Jack Tang**, New Taipei (TW)

(**) Term: **14 Years**

(21) Appl. No.: **29/417,384**

(22) Filed: **Apr. 3, 2012**

(51) **LOC (9) Cl.** **31-00**

(52) **U.S. Cl.** **D7/386; D7/376; D7/378; D7/384;**
D7/412

(58) **Field of Classification Search** **D7/301-313,**
D7/316-326, 356-357, 368, 372-386, 391-398,
D7/412-415, 515, 665, 679, 693; D30/122;
99/326, 348, 492, 508-512; 241/30-37.5,
241/101.01-101.2, 166-169.1, 172, 282.2,
241/285.1-285.3, 291, 292.1; 366/64-67,
366/98, 129, 142-144, 197-211, 241-254,
366/262, 279-292, 325.8, 325.92, 341-347;
416/75-77, 70 R, 163

See application file for complete search history.

(56) **References Cited**

U.S. PATENT DOCUMENTS

D348,797 S * 7/1994 Brady D7/386
D396,990 S * 8/1998 Leverrier D7/378
D404,247 S * 1/1999 Spagnolo D7/378
D445,299 S * 7/2001 Spagnolo et al. D7/384

D445,636 S * 7/2001 Spagnolo D7/384
6,402,365 B1 * 6/2002 Wong 366/206
6,609,821 B2 * 8/2003 Wulf et al. 366/206
D567,578 S * 4/2008 Chiappetta D7/376
D641,197 S * 7/2011 Borin D7/326
D645,301 S * 9/2011 Tse D7/378
D658,430 S * 5/2012 Hoare et al. D7/386
D664,304 S * 7/2012 Whelan D30/122
2004/0264294 A1 * 12/2004 Pryor, Jr. 366/129

* cited by examiner

Primary Examiner — Ricky Pham

(74) *Attorney, Agent, or Firm* — Muncy, Geissler, Olds &
Lowe, PLLC

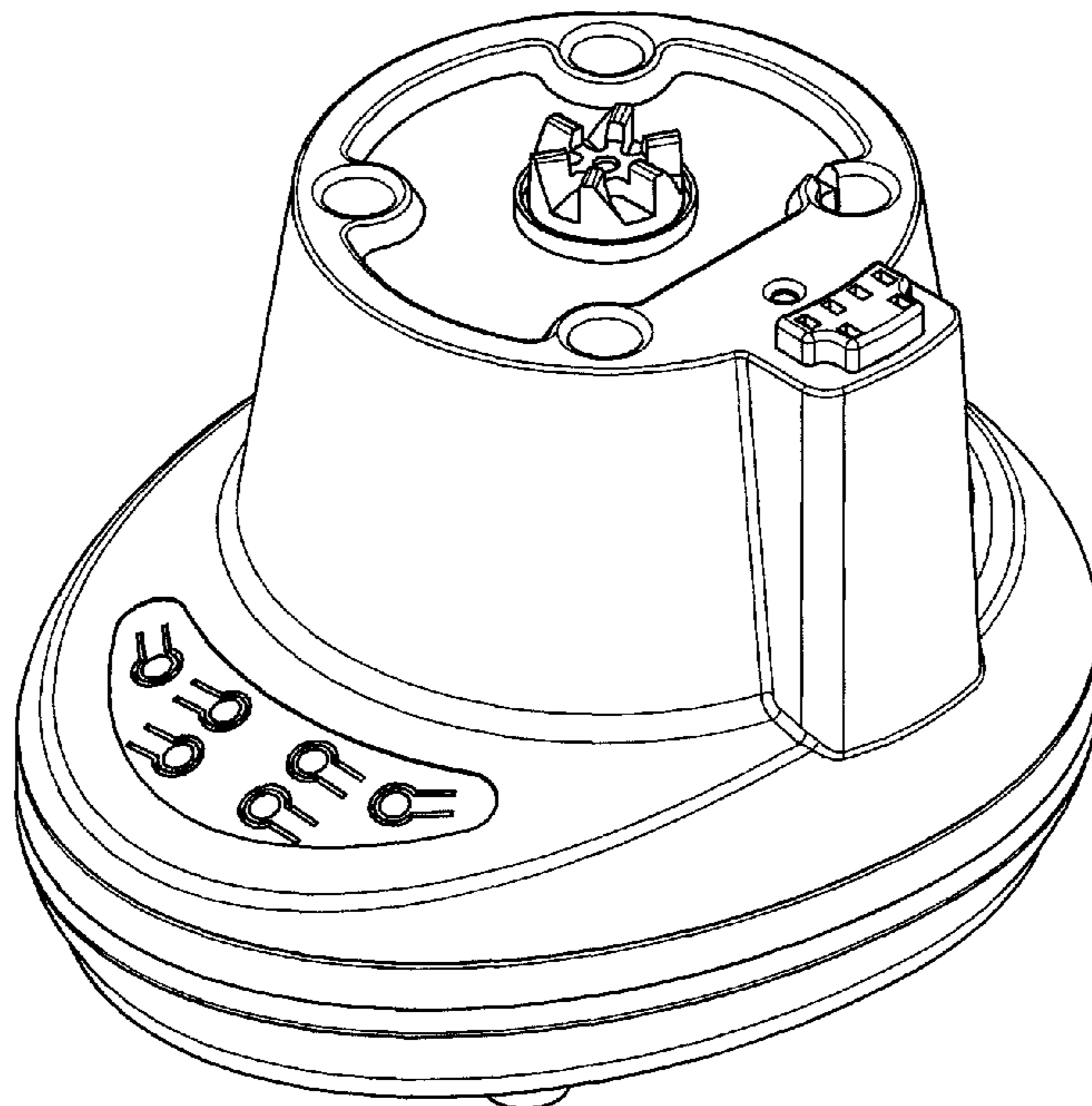
(57) **CLAIM**

The ornamental design for a food processor, as shown and described.

DESCRIPTION

FIG. 1 shows a perspective view of the present design.
FIG. 2 shows a front view of the present design.
FIG. 3 shows a rear view of the present design.
FIG. 4 shows a left view of the present design.
FIG. 5 shows a right view of the present design.
FIG. 6 shows a top view of the present design.
FIG. 7 shows a bottom view of the present design; and,
FIG. 8 is a perspective view showing the food processor of the present design coupled with a food container, wherein the broken lines are shown for illustrative purposes only and form no part of the claimed design.

1 Claim, 8 Drawing Sheets



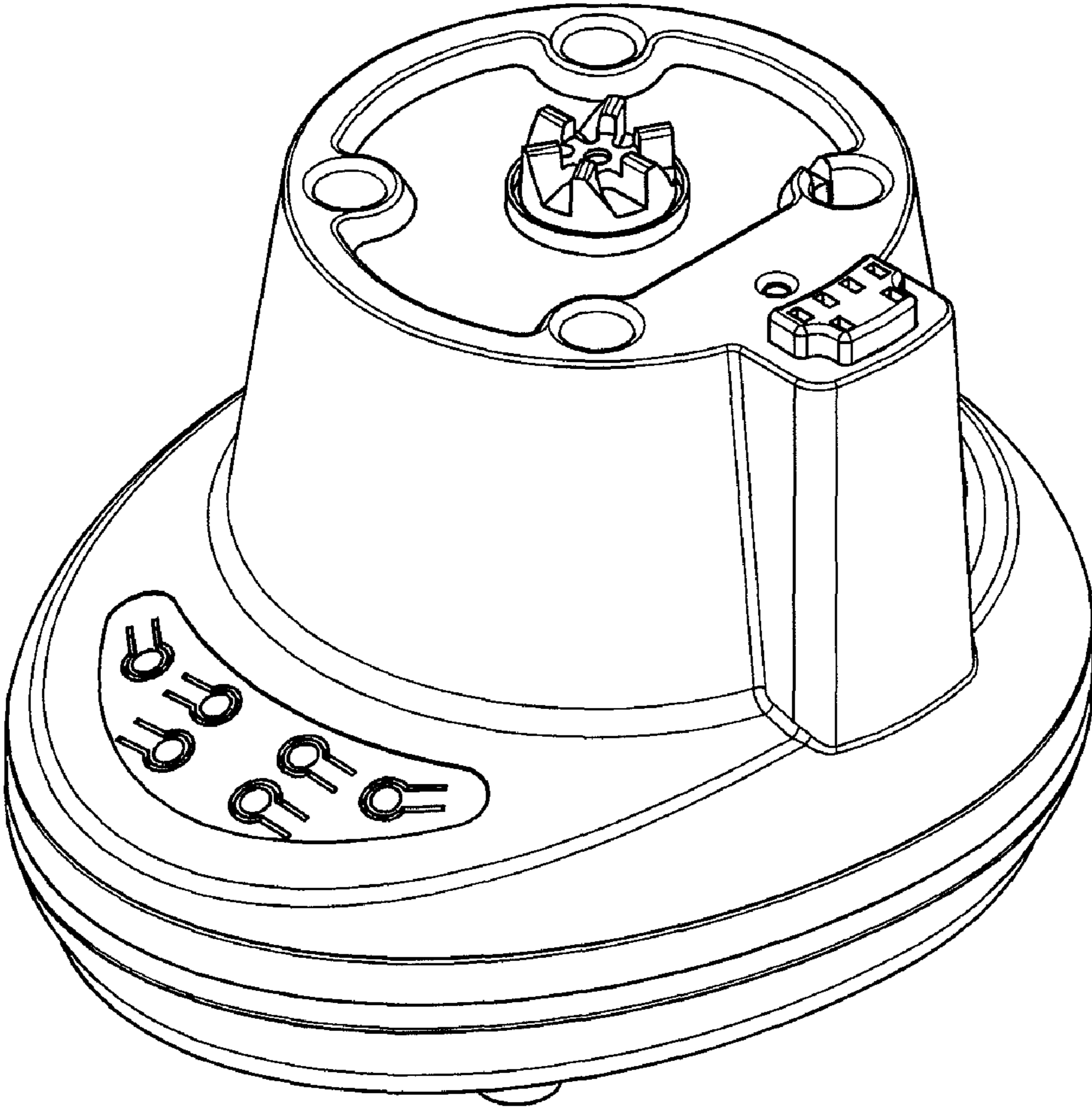


FIG. 1

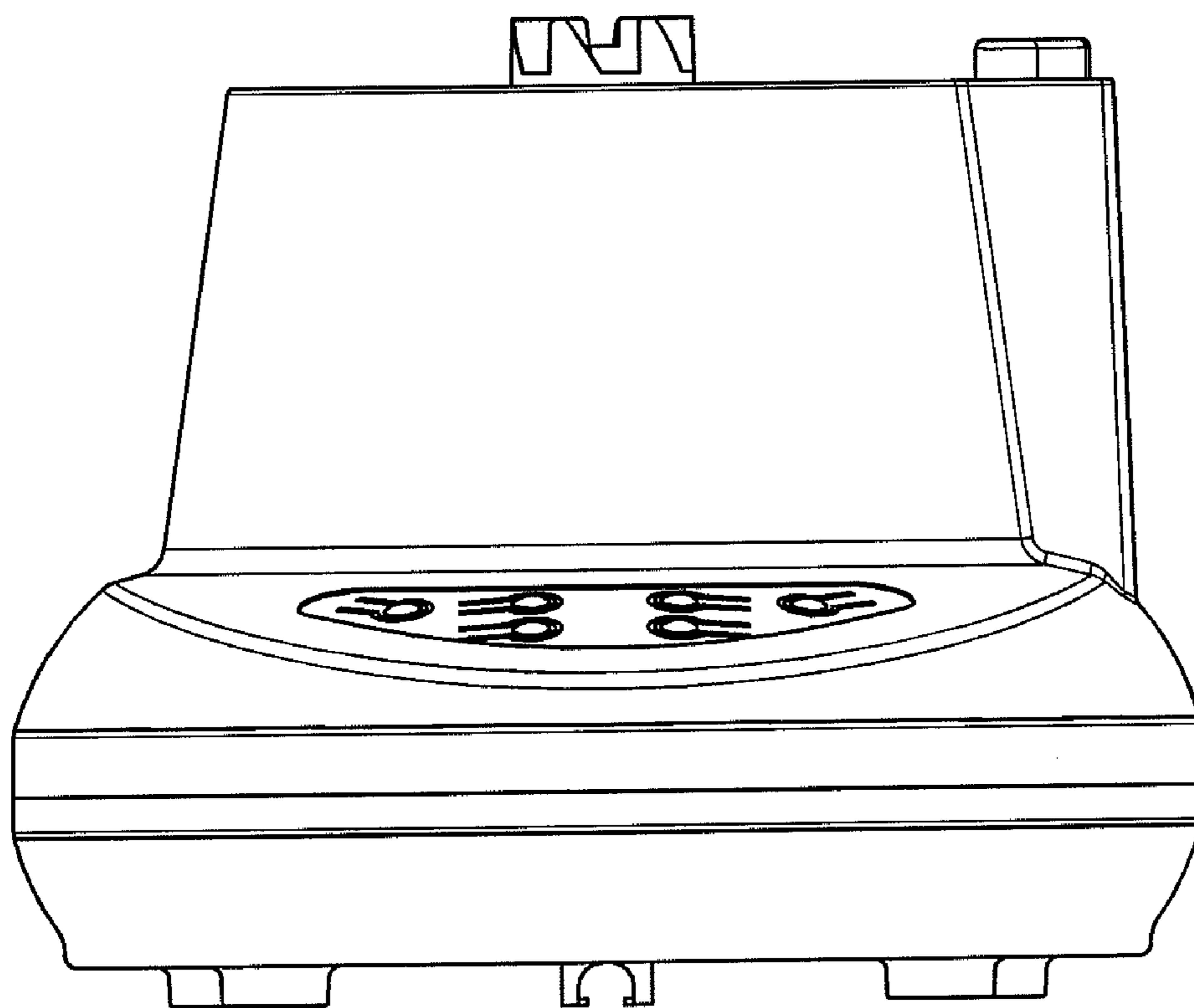


FIG. 2

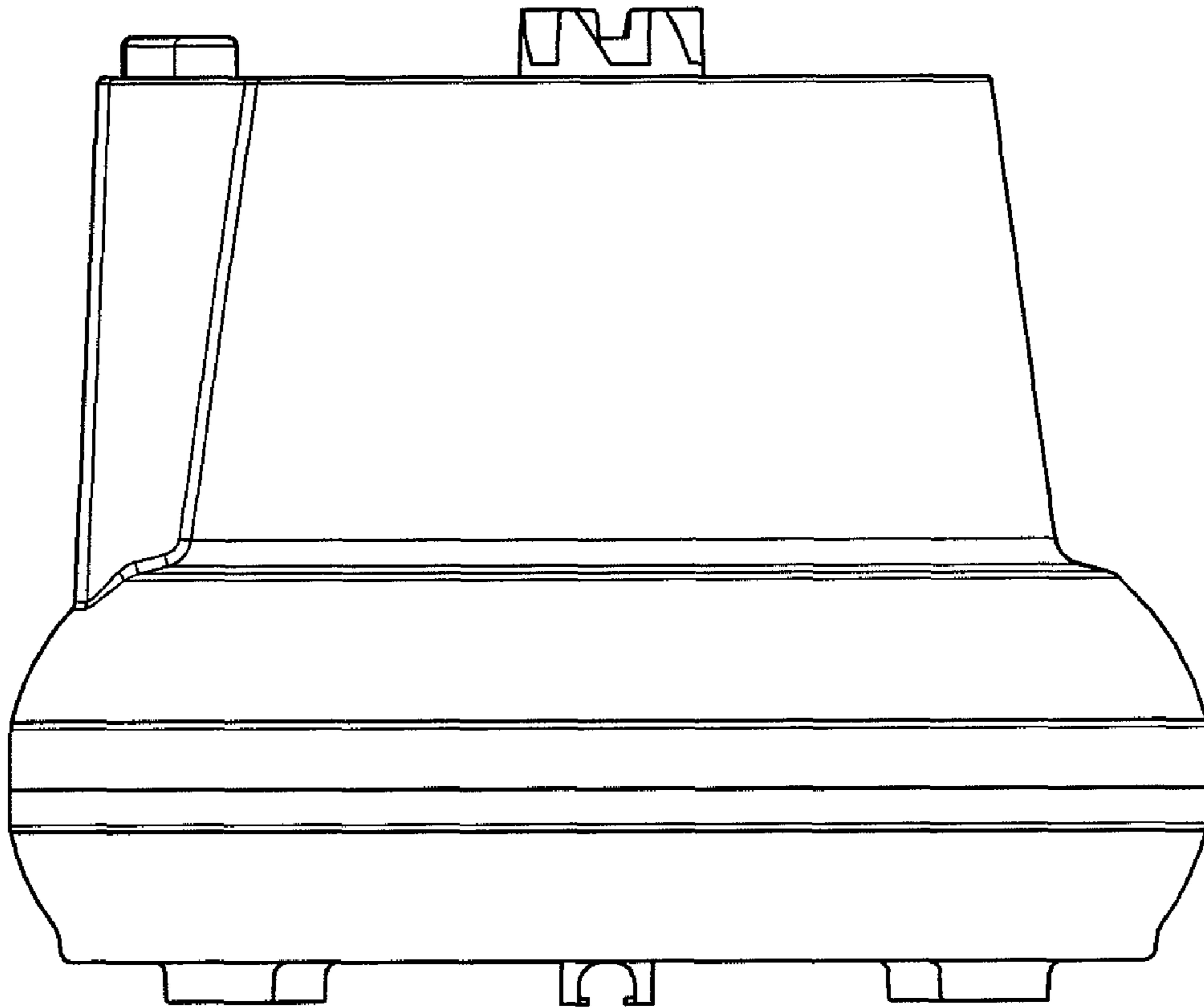


FIG. 3

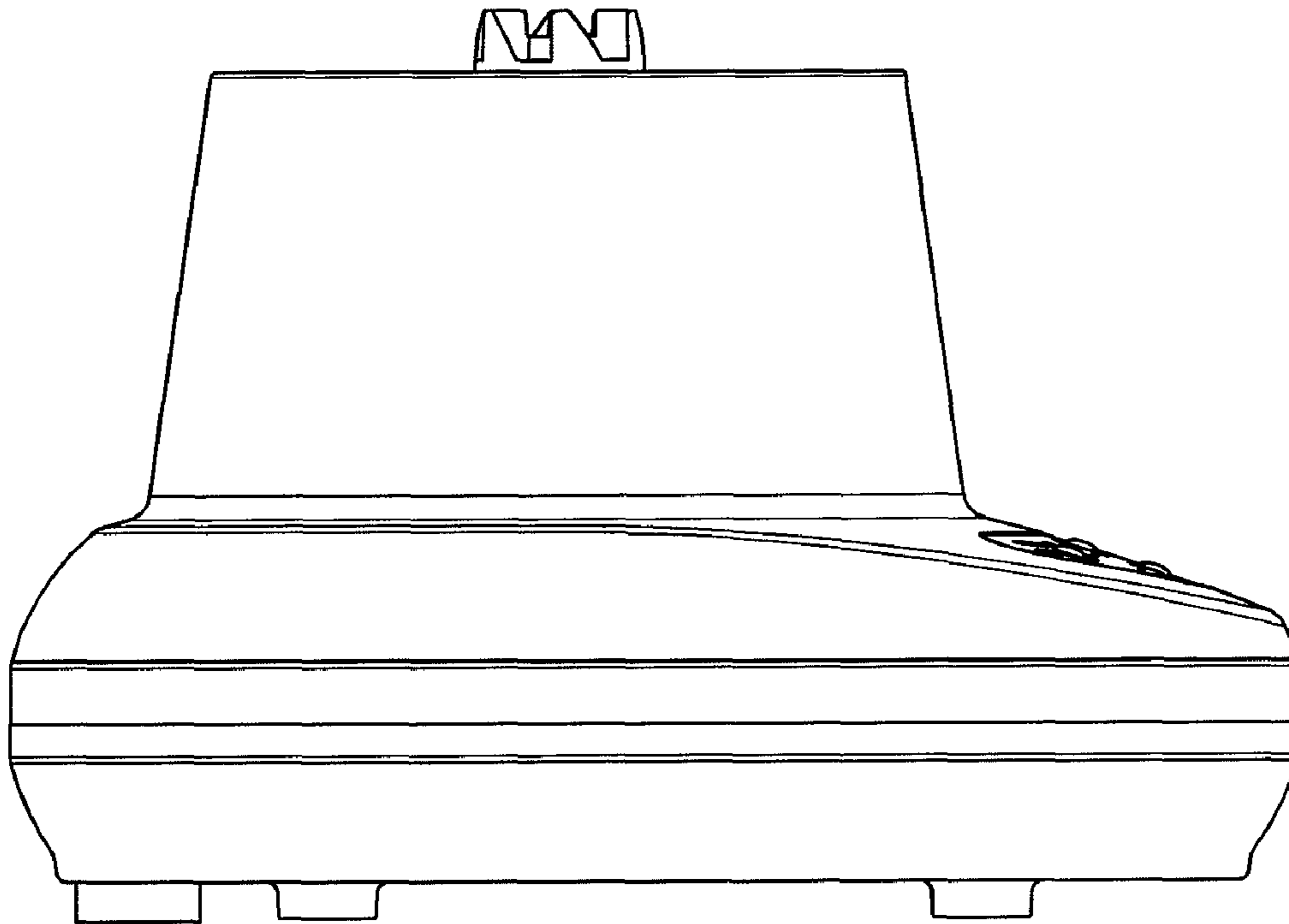


FIG. 4

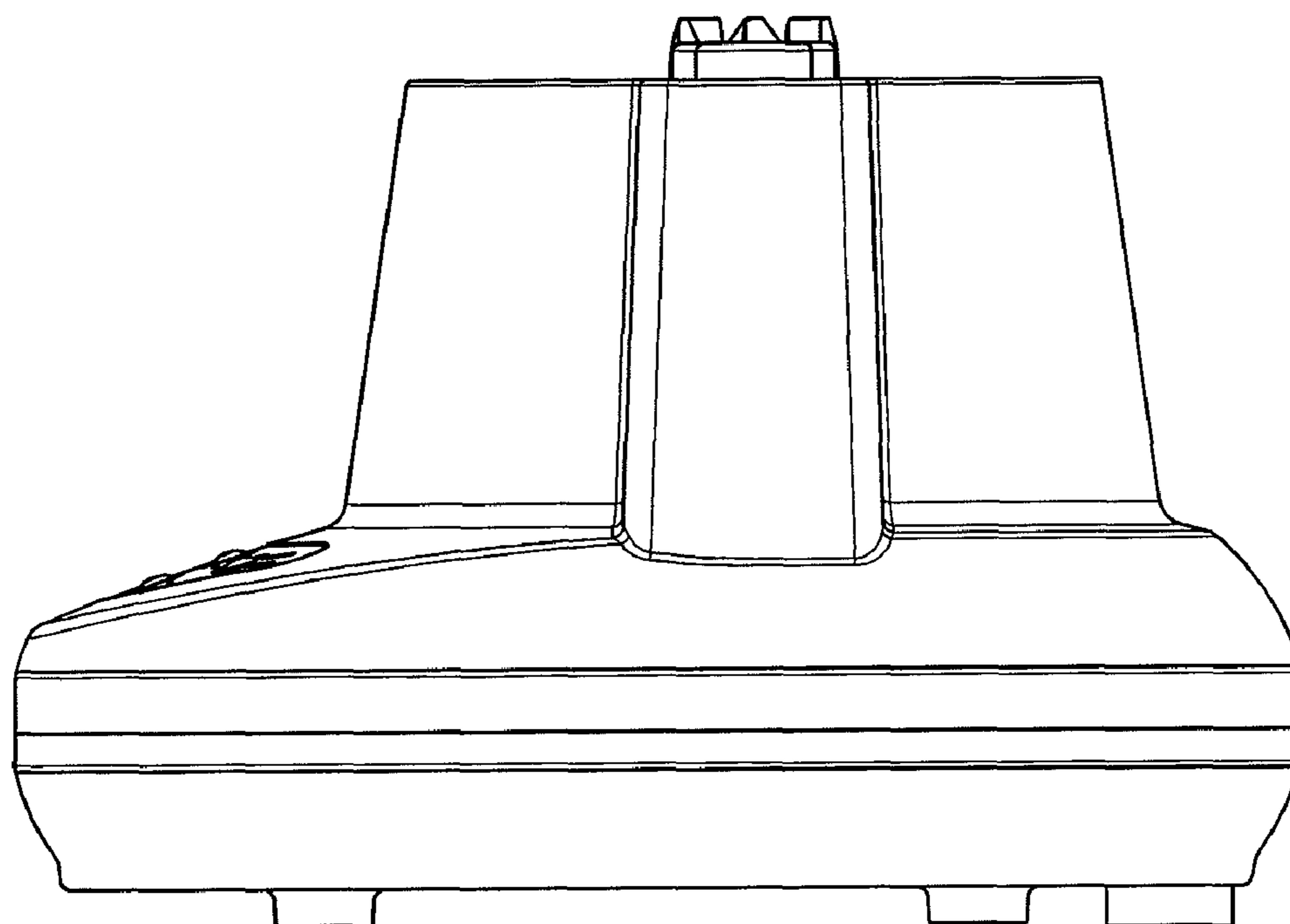


FIG. 5

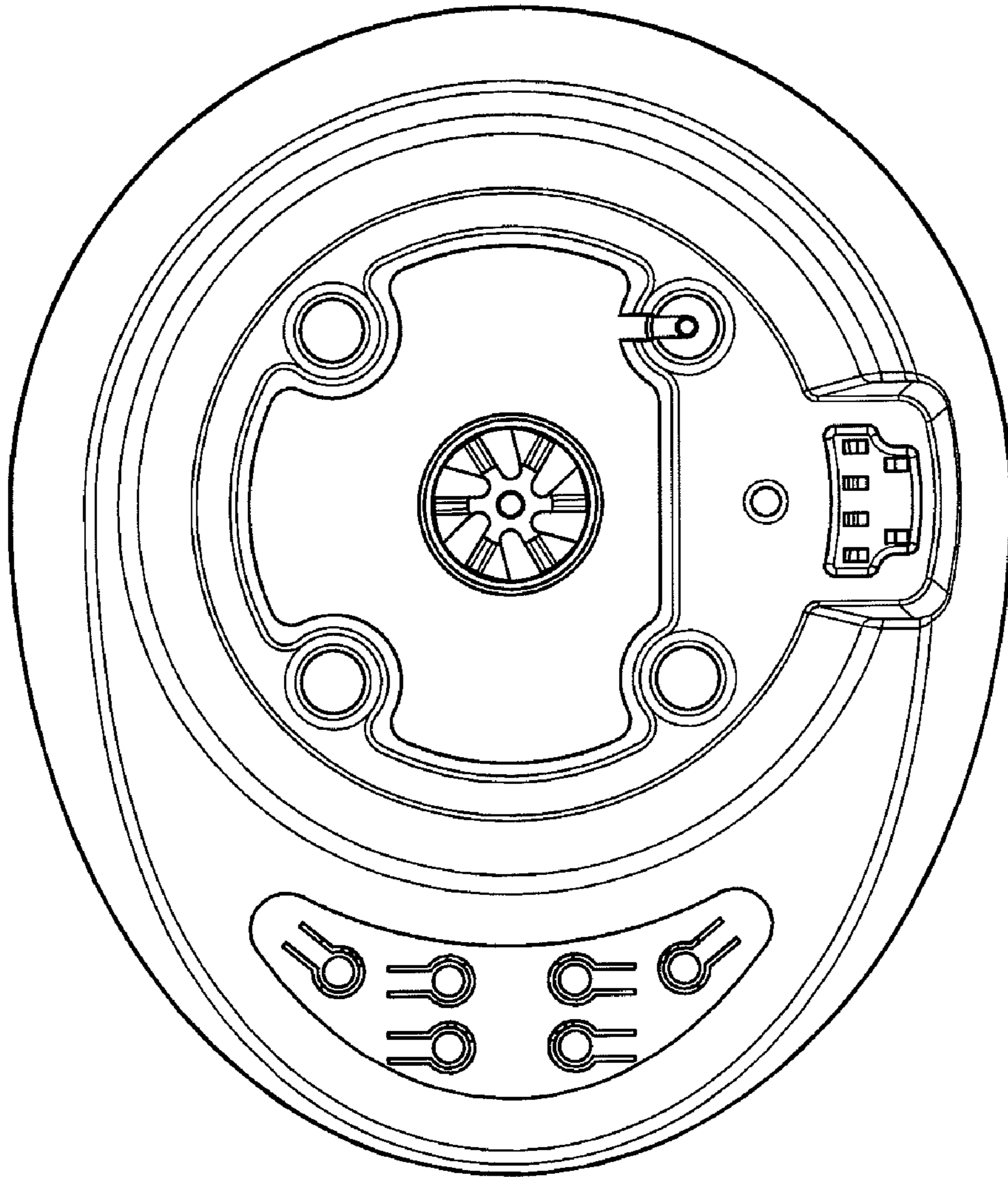


FIG. 6

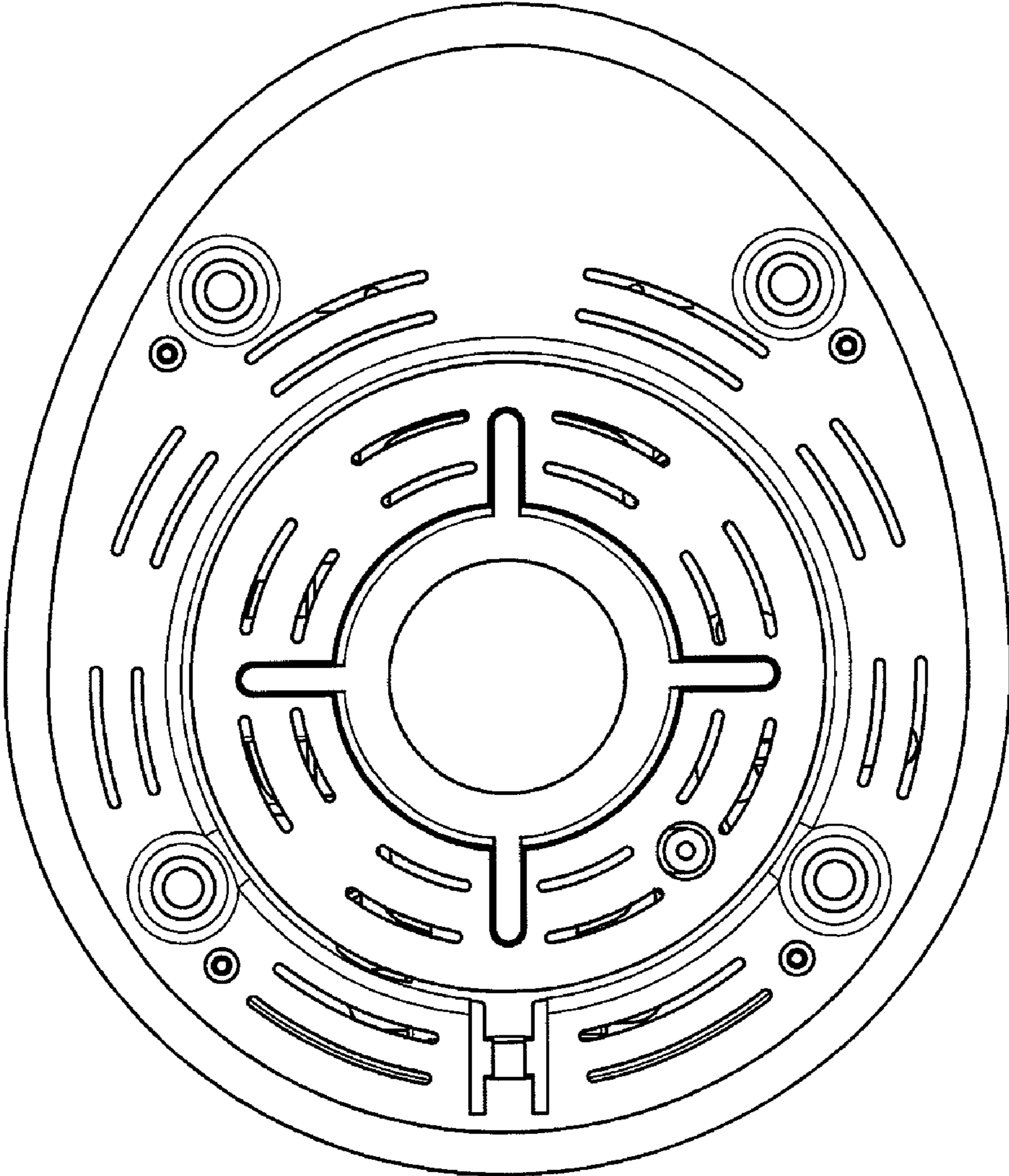


FIG. 7

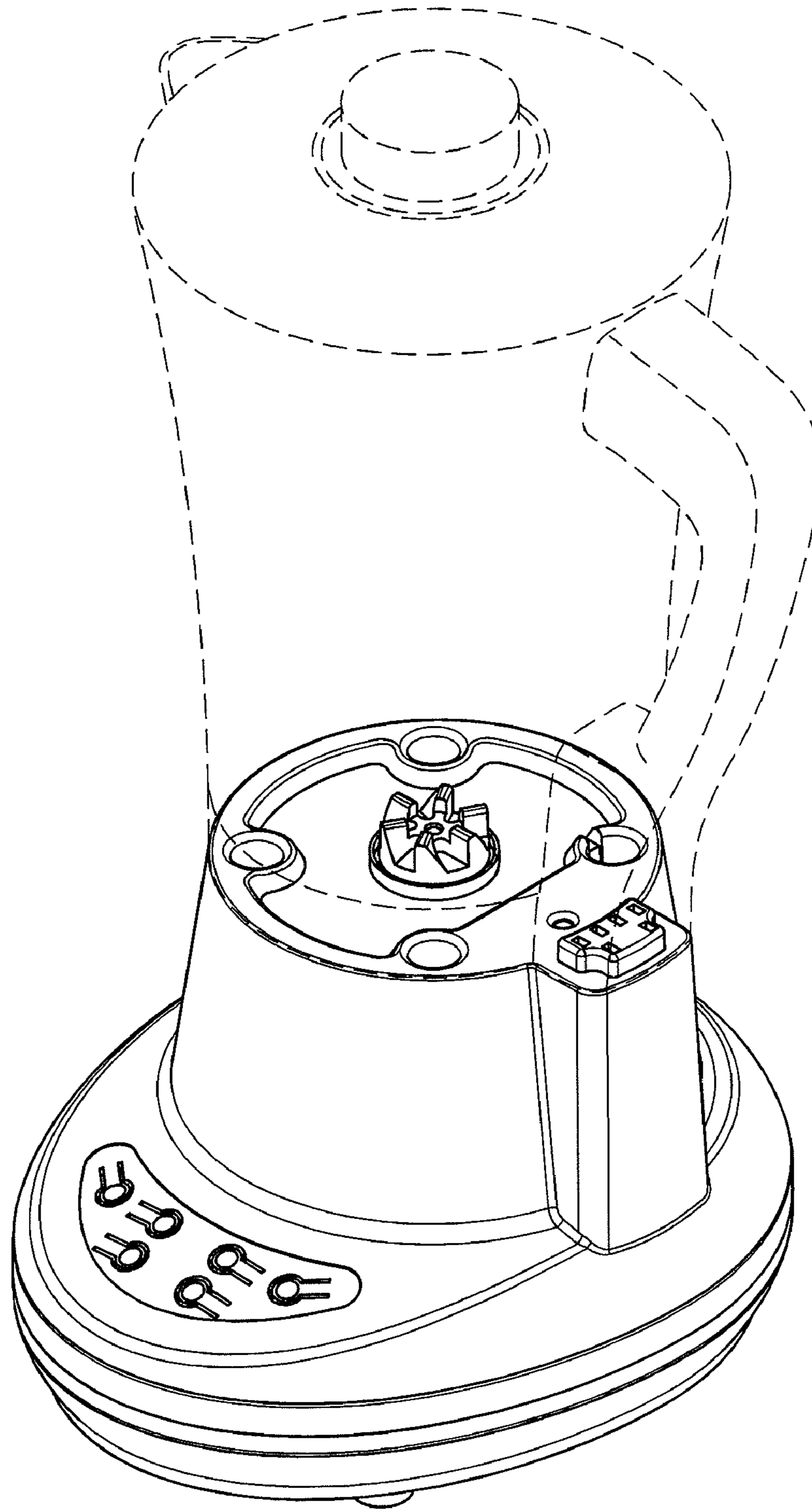


FIG. 8