



US00D671355S

(12) **United States Design Patent**
Zmrhal

(10) **Patent No.:** **US D671,355 S**
(45) **Date of Patent:** **** Nov. 27, 2012**

(54) **COOKING APPARATUS**

(75) Inventor: **Jill Zmrhal**, Plainfield, IL (US)

(73) Assignee: **Columbia Insurance Company**,
Omaha, NE (US)

(**) Term: **14 Years**

(21) Appl. No.: **29/413,513**

(22) Filed: **Feb. 16, 2012**

(51) **LOC (9) Cl.** **07-02**

(52) **U.S. Cl.** **D7/360; D7/354; D7/409**

(58) **Field of Classification Search** D3/307;
D7/323, 329–331, 337, 339, 346–347, 350.1–350.4,
D7/352–367, 391, 393, 395, 402, 409, 505,
D7/538, 542, 557; D11/143, 152; D23/261;
D28/61; 99/324–326, 331–332, 369, 372,
99/396, 400–419, 425–426, 444–450, 483;
126/37 R, 39 B, 41 R, 261, 332, 378.1;
206/501–505, 507–508; 219/386, 400, 405,
219/429–442, 450.1, 620–624, 725, 730–735;
220/315, 573.1–573.5, 912; 426/438, 441,
426/523–524

See application file for complete search history.

6,575,082 B1 * 6/2003 Liao 99/340
D488,741 S * 4/2004 Moya D11/143
D493,256 S * 7/2004 Kim D28/61
D506,352 S 6/2005 Dow et al.
D513,930 S * 1/2006 Novi D7/409
D522,807 S * 6/2006 Dow et al. D7/409
D527,954 S * 9/2006 Roth D7/557
D558,519 S 1/2008 Zemel
D560,967 S 2/2008 Zemel
D564,286 S 3/2008 Zemel
D573,838 S * 7/2008 Jones D7/409
D591,105 S * 4/2009 Hodges D7/409
D624,787 S * 10/2010 Adams et al. D7/409
D635,825 S * 4/2011 Borovicka et al. D7/409
D639,601 S 6/2011 Borovicka et al.
D639,603 S * 6/2011 Degnan D7/360
D653,497 S * 2/2012 Cloutier et al. D7/360
D657,612 S * 4/2012 Cloutier et al. D7/354
D658,427 S * 5/2012 Cloutier et al. D7/360
2002/0195001 A1 * 12/2002 Hester 99/345
2006/0057267 A1 * 3/2006 Dow et al. 426/524

* cited by examiner

Primary Examiner — Ricky Pham
(74) *Attorney, Agent, or Firm* — Neal Gerber & Eisenberg
LLP

(57) **CLAIM**
The ornamental design for the cooking apparatus, as shown
and described.

(56) **References Cited**

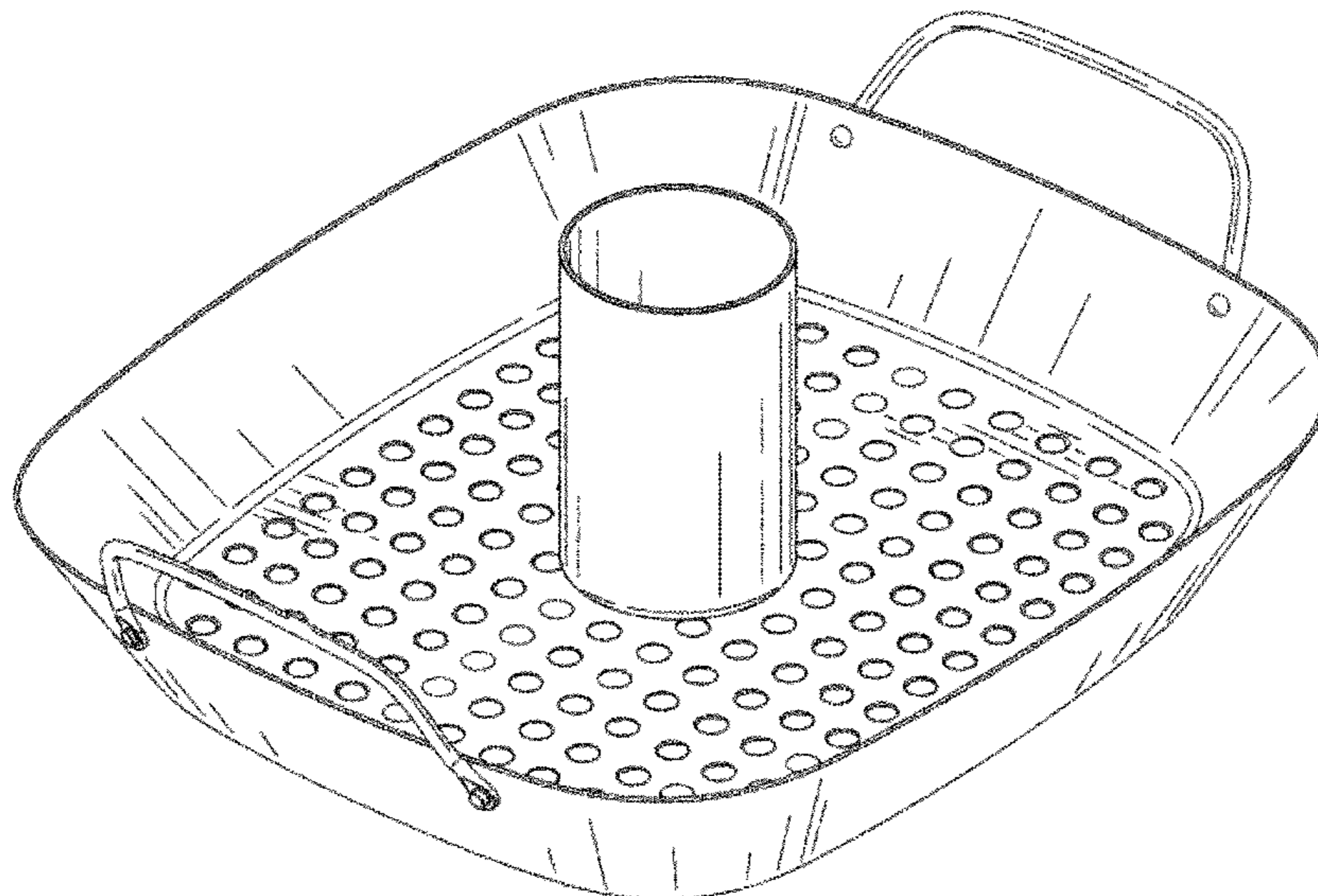
U.S. PATENT DOCUMENTS

1,339,625 A * 5/1920 Holloway 99/346
D327,534 S * 6/1992 Manville et al. D23/261
5,575,198 A * 11/1996 Lowery 99/426
D376,723 S * 12/1996 Asner D7/359
D395,548 S * 6/1998 Morissette D3/307
D412,297 S * 7/1999 Roach D11/152
D417,124 S * 11/1999 Chen D7/409
6,192,792 B1 * 2/2001 Gremillion 99/426
D453,488 S * 2/2002 McCauley D11/152
6,503,551 B1 * 1/2003 Hester 426/523

DESCRIPTION

FIG. 1 is a top perspective view of the cooking apparatus of
the present invention;
FIG. 2 is a first side elevational view thereof;
FIG. 3 is a second side elevational view thereof;
FIG. 4 is a third side elevational view thereof;
FIG. 5 is a fourth side elevational view thereof;
FIG. 6 is a top plan view thereof; and,
FIG. 7 is a bottom plan view thereof.

1 Claim, 5 Drawing Sheets



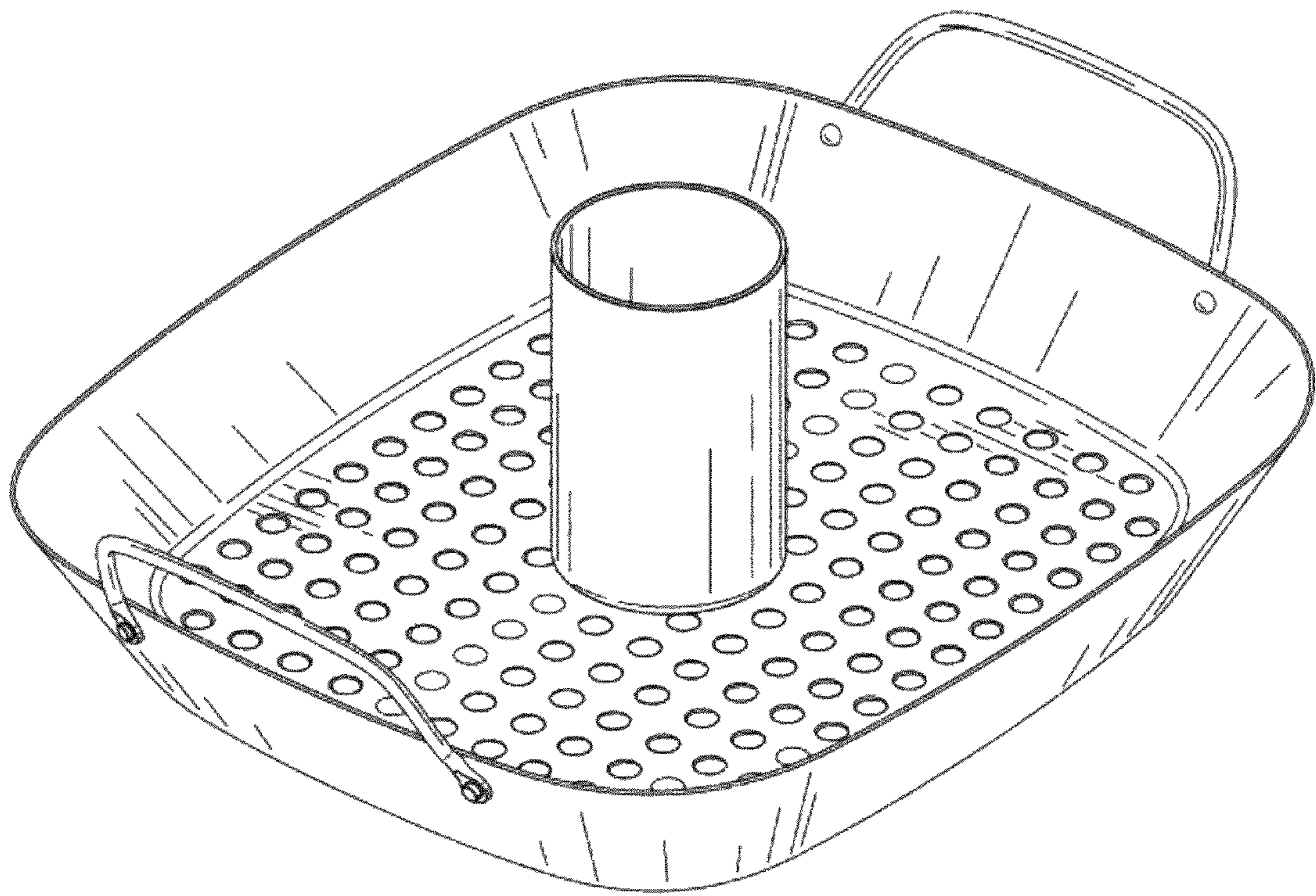


FIG. 1

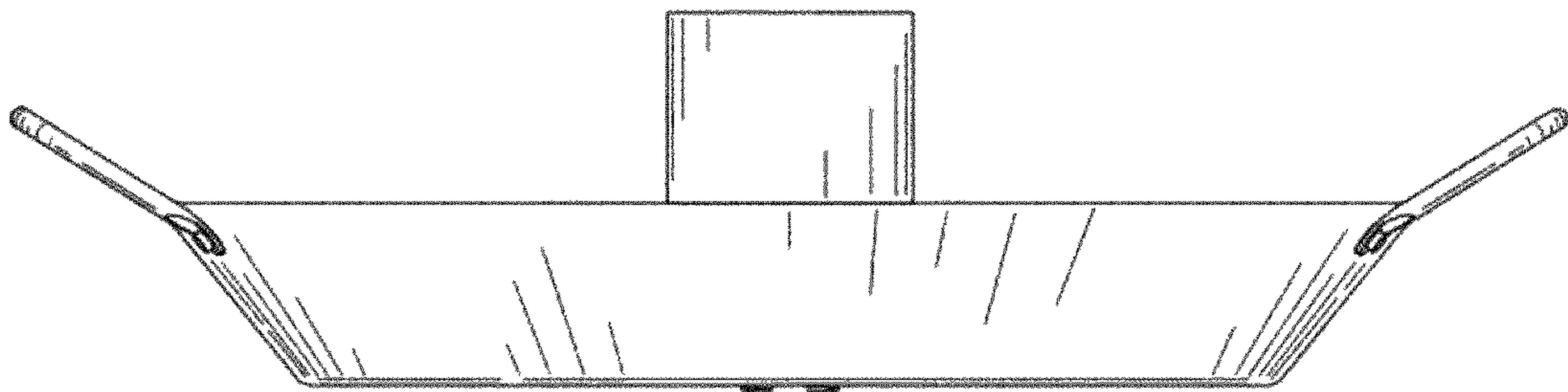


FIG. 2

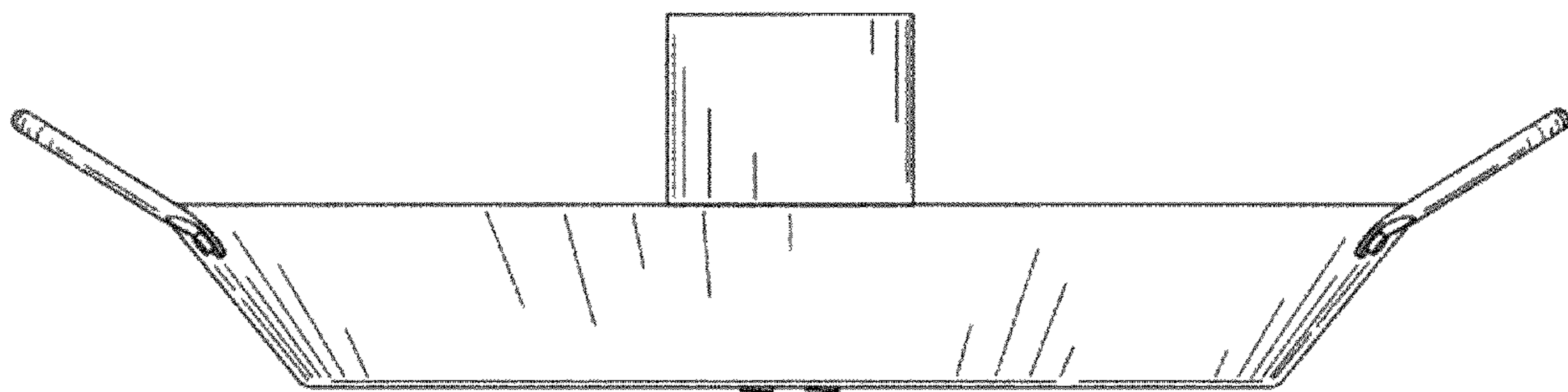


FIG. 3

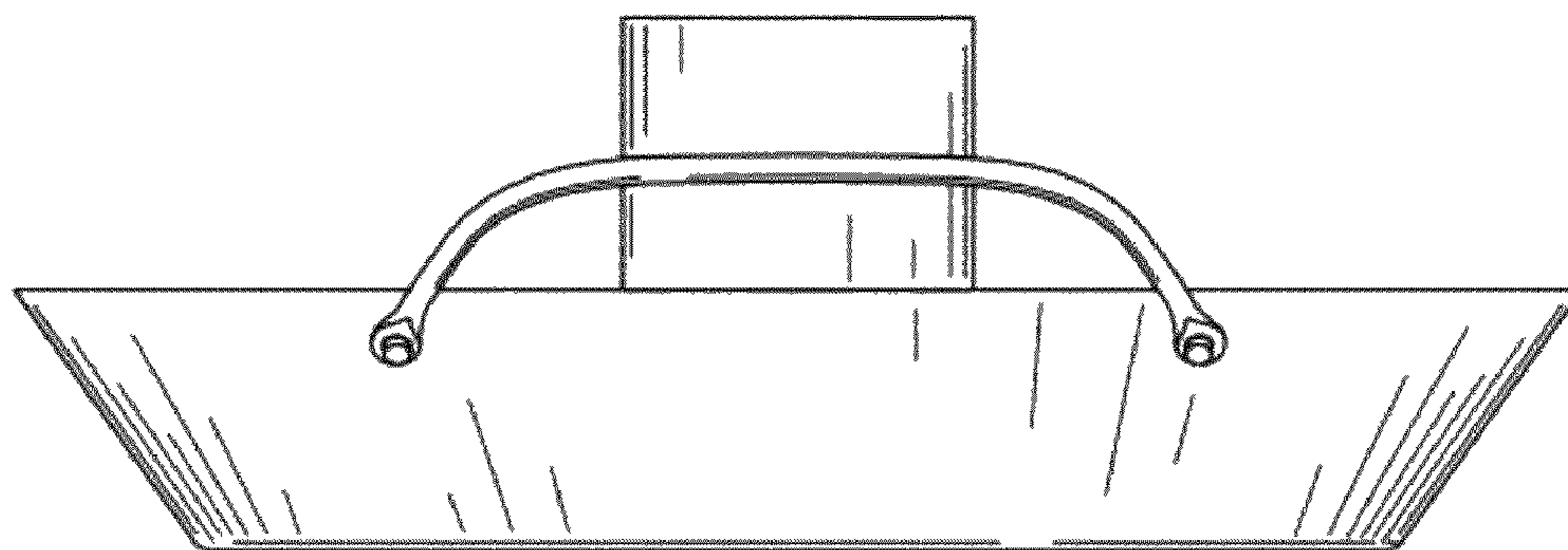


FIG. 4

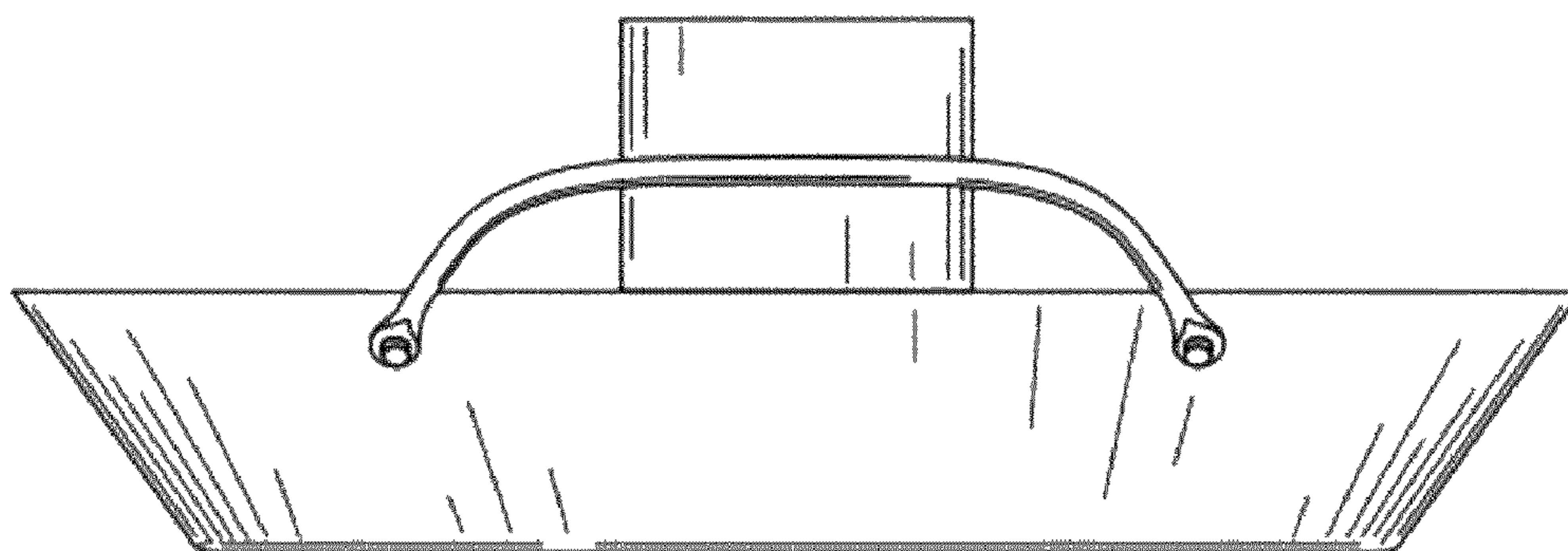


FIG. 5

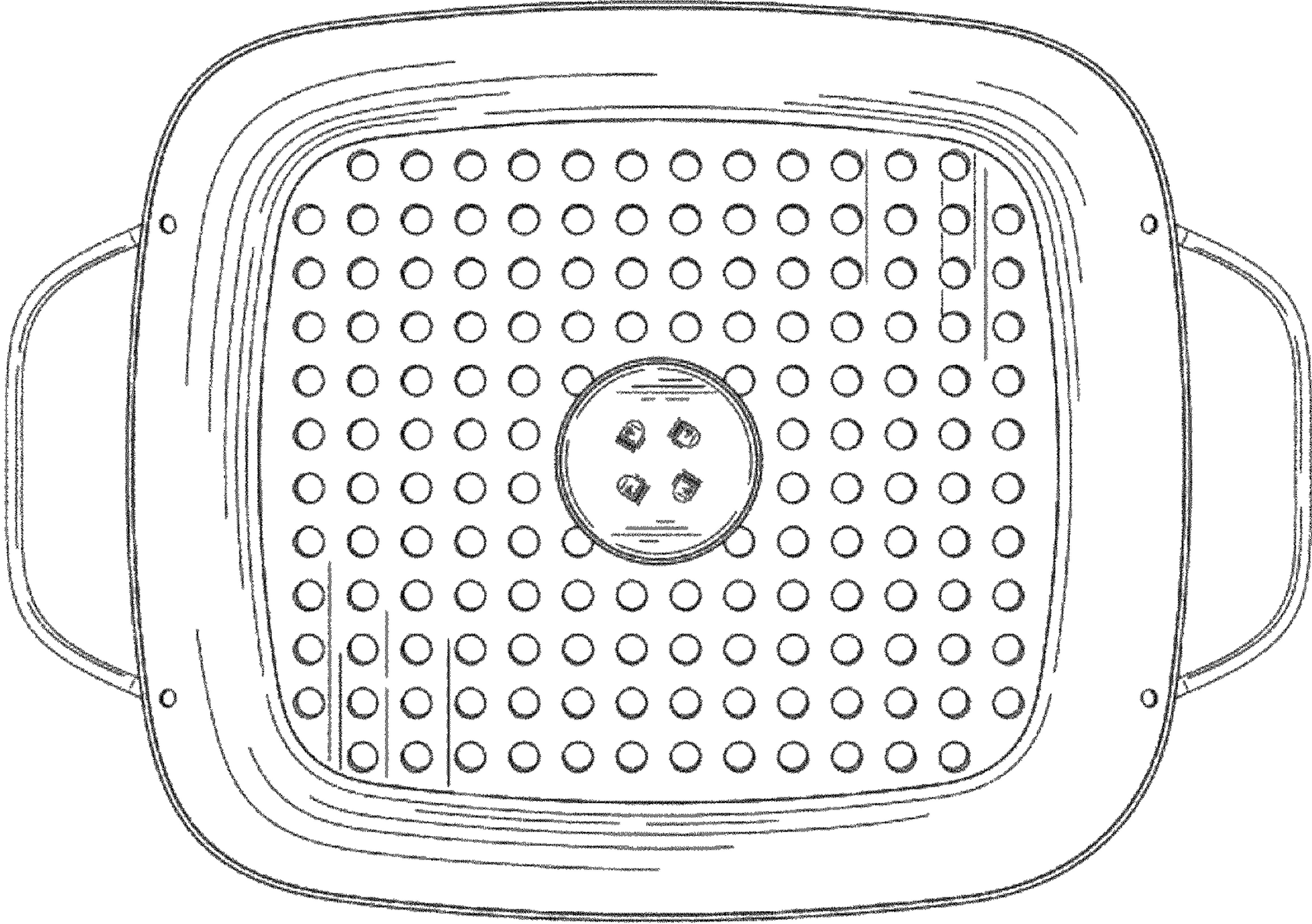


FIG. 6

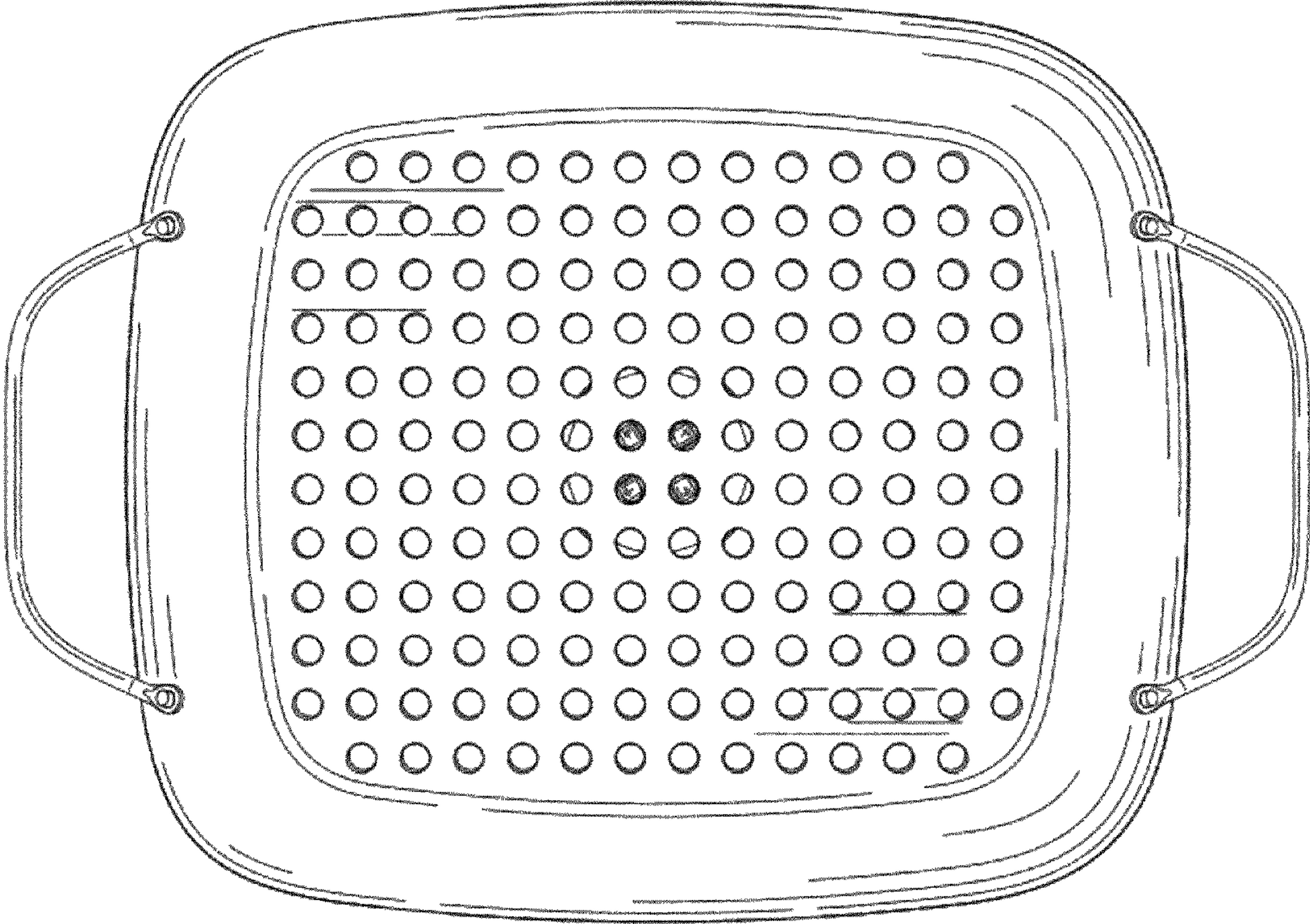


FIG. 7