



US00D671354S

(12) **United States Design Patent**  
**Ou et al.**

(10) **Patent No.:** **US D671,354 S**  
(45) **Date of Patent:** **\*\* Nov. 27, 2012**

(54) **MICROWAVE OVEN**  
(75) Inventors: **Zongyin Ou**, Guangdong (CN);  
**Shouguo Wang**, Guangdong (CN);  
**Deqiang Tan**, Guangdong (CN)  
(73) Assignee: **Guangdong Galanz Enterprises Co., Ltd.**, Guangdong (CN)  
(\*\*) Term: **14 Years**

(21) Appl. No.: **29/386,027**

(22) Filed: **Feb. 24, 2011**

(30) **Foreign Application Priority Data**

Aug. 24, 2010 (CN) ..... 2010 3 0298142

(51) **LOC (9) Cl.** ..... **07-02**

(52) **U.S. Cl.** ..... **D7/351**

(58) **Field of Classification Search** ..... D7/350.1,  
D7/350.3, 350.4, 351, 402, 403, 405, 406,  
D7/337; 219/756, 757, 758, 391; 126/19 M,  
126/21 A, 275 E; 99/352, 481-482  
See application file for complete search history.

(56) **References Cited**

**U.S. PATENT DOCUMENTS**

D216,847 S \* 3/1970 Brynge ..... D7/351  
D279,537 S \* 7/1985 Taylor et al. .... D7/337

D300,108 S \* 3/1989 Iwahashi ..... D7/351  
D303,606 S \* 9/1989 Hatanaka ..... D7/351  
D420,243 S \* 2/2000 Samaras ..... D7/332  
D425,359 S \* 5/2000 Seiz ..... D7/351  
D456,666 S \* 5/2002 Monguilod ..... D7/351  
D457,378 S \* 5/2002 Wang et al. .... D7/351  
D476,844 S \* 7/2003 Hsu ..... D7/350.4  
D487,666 S \* 3/2004 Monguilod ..... D7/351

\* cited by examiner

*Primary Examiner* — Ruth McInroy

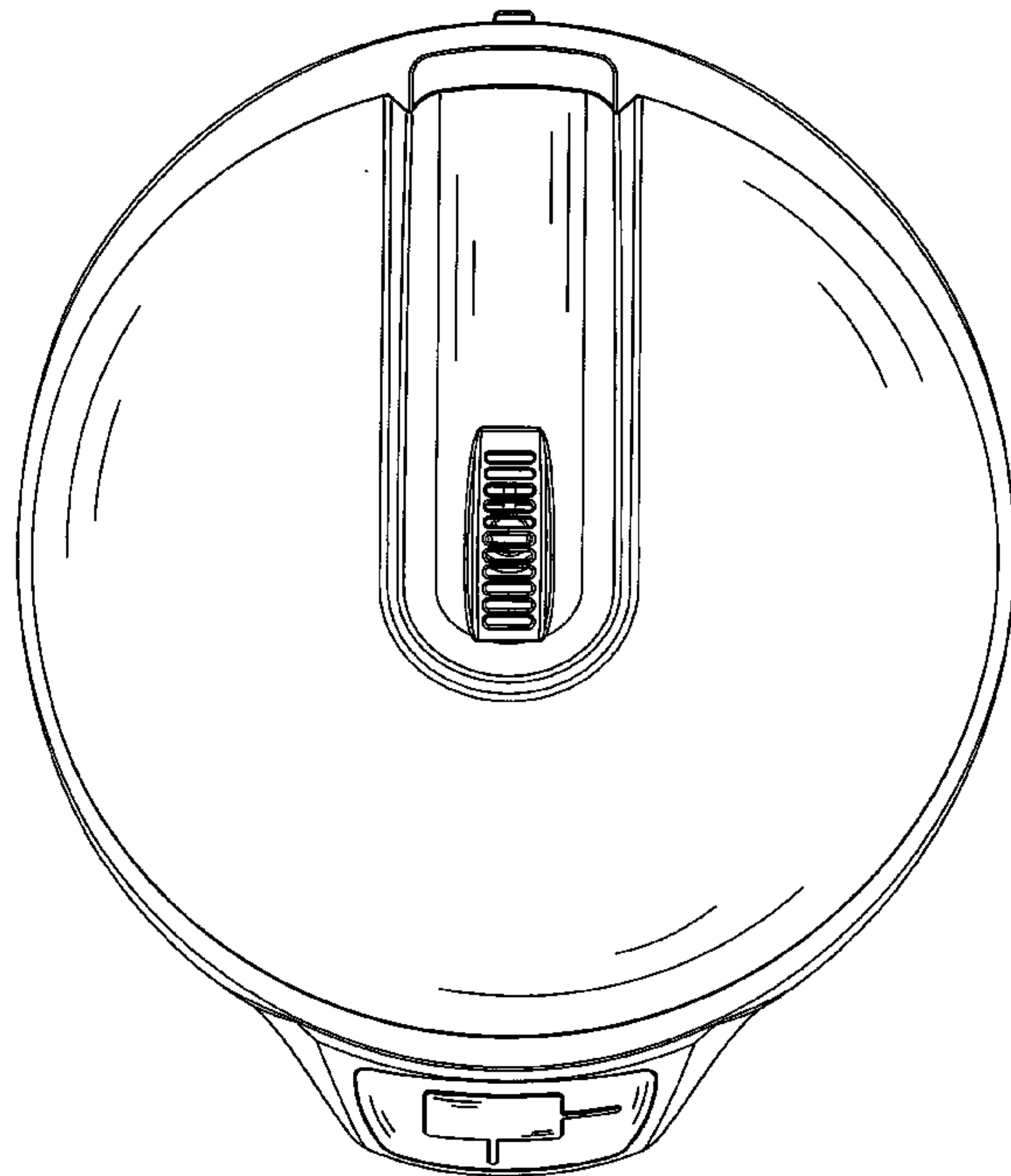
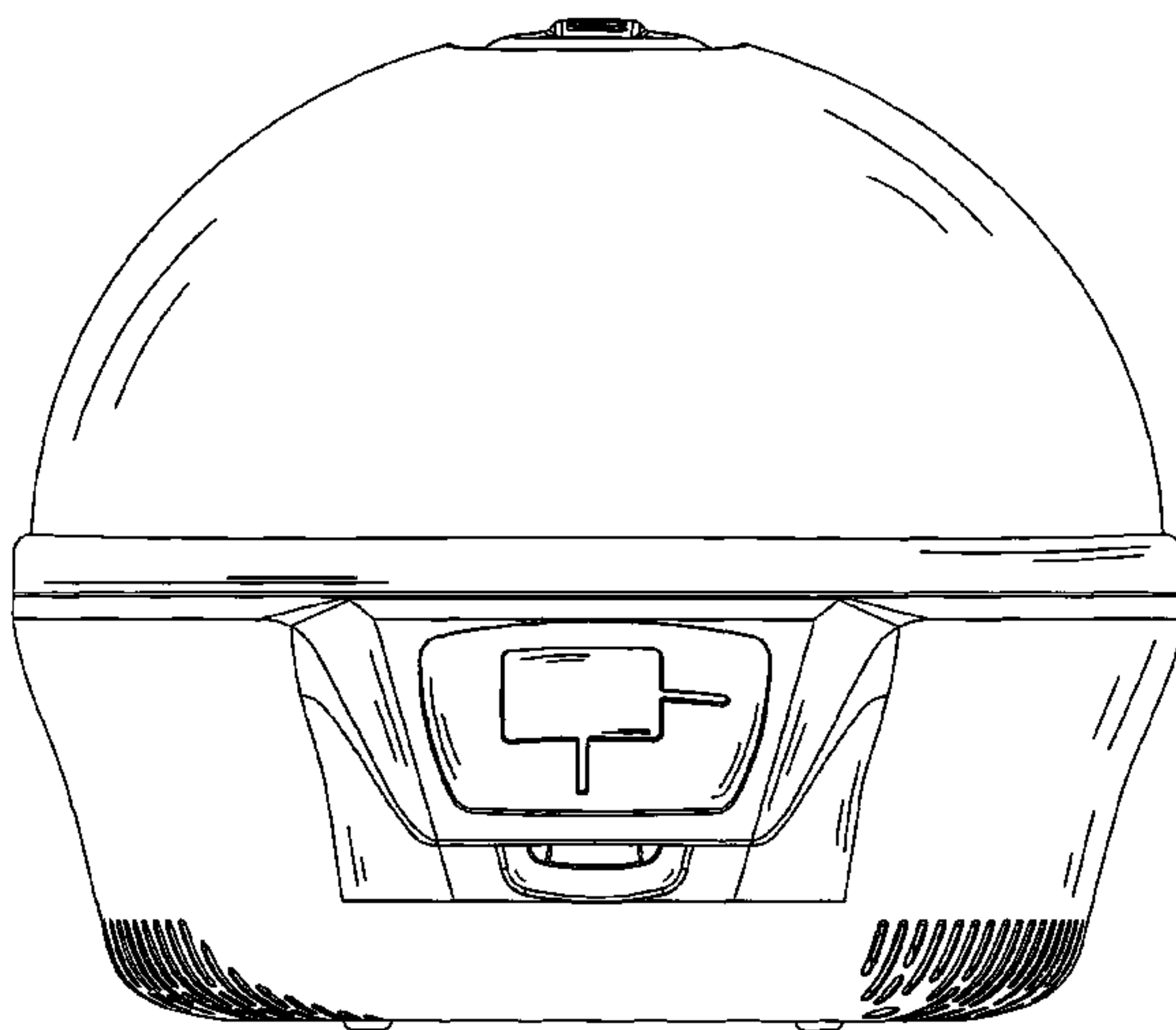
(57) **CLAIM**

We claim the ornamental design for a microwave oven, as shown and described.

**DESCRIPTION**

FIG. 1 is a front elevational view of a microwave oven showing my new design;  
FIG. 2 is a rear elevational view thereof;  
FIG. 3 is a top plan view thereof;  
FIG. 4 is a bottom plan view thereof;  
FIG. 5 is a left side view thereof;  
FIG. 6 is a right side view thereof; and,  
FIG. 7 is a perspective view thereof.

**1 Claim, 7 Drawing Sheets**



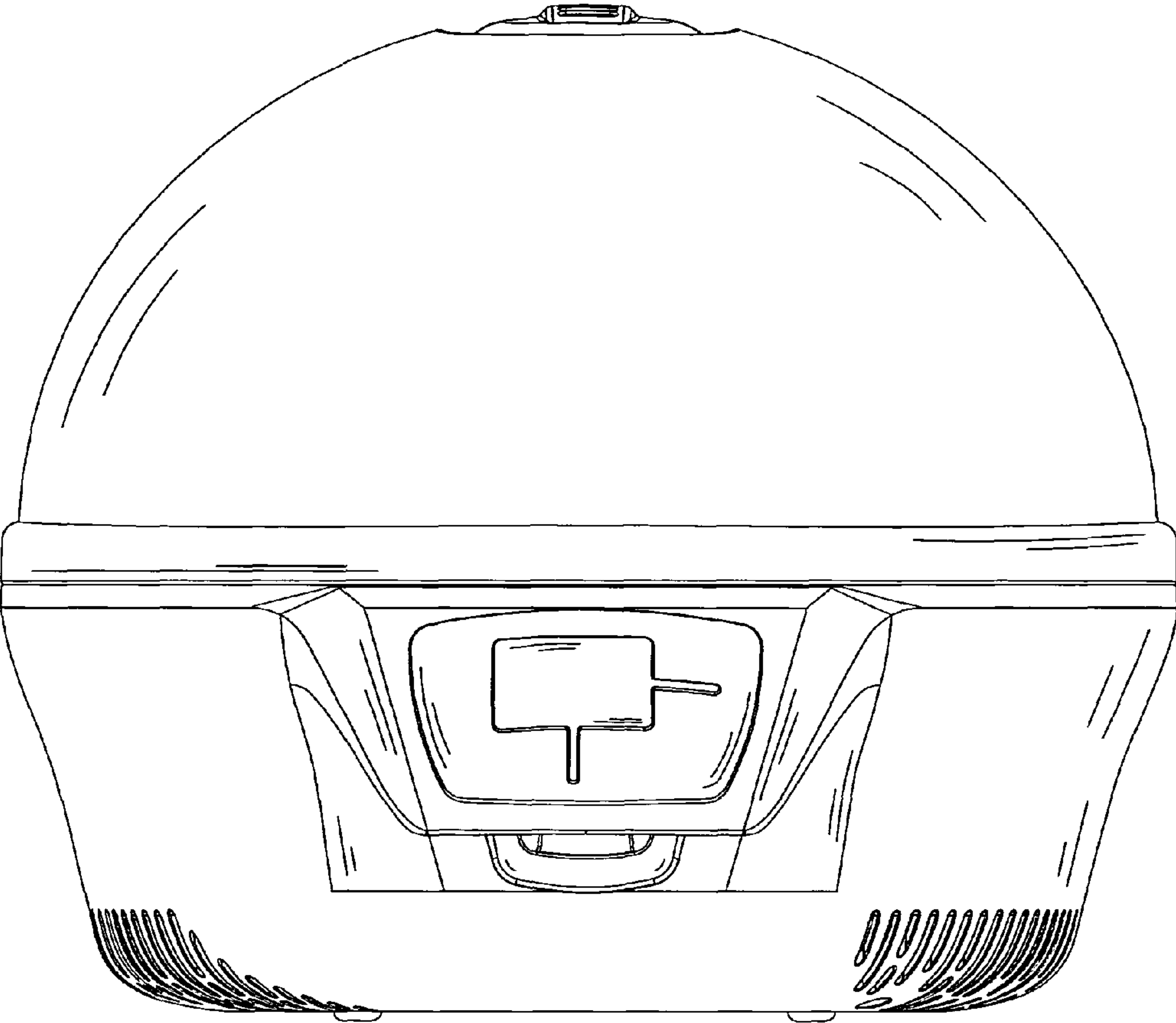


FIG. 1

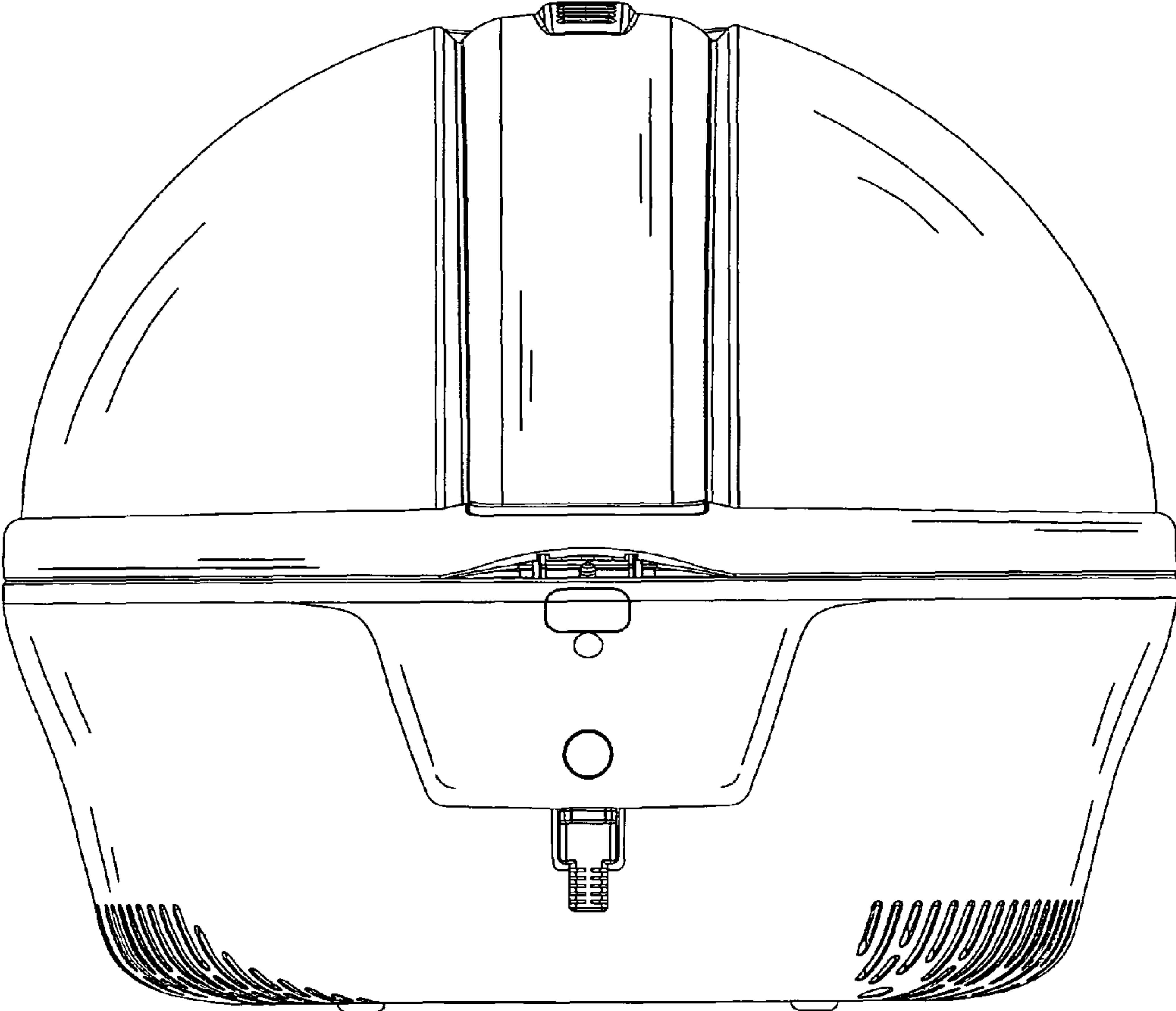


FIG. 2

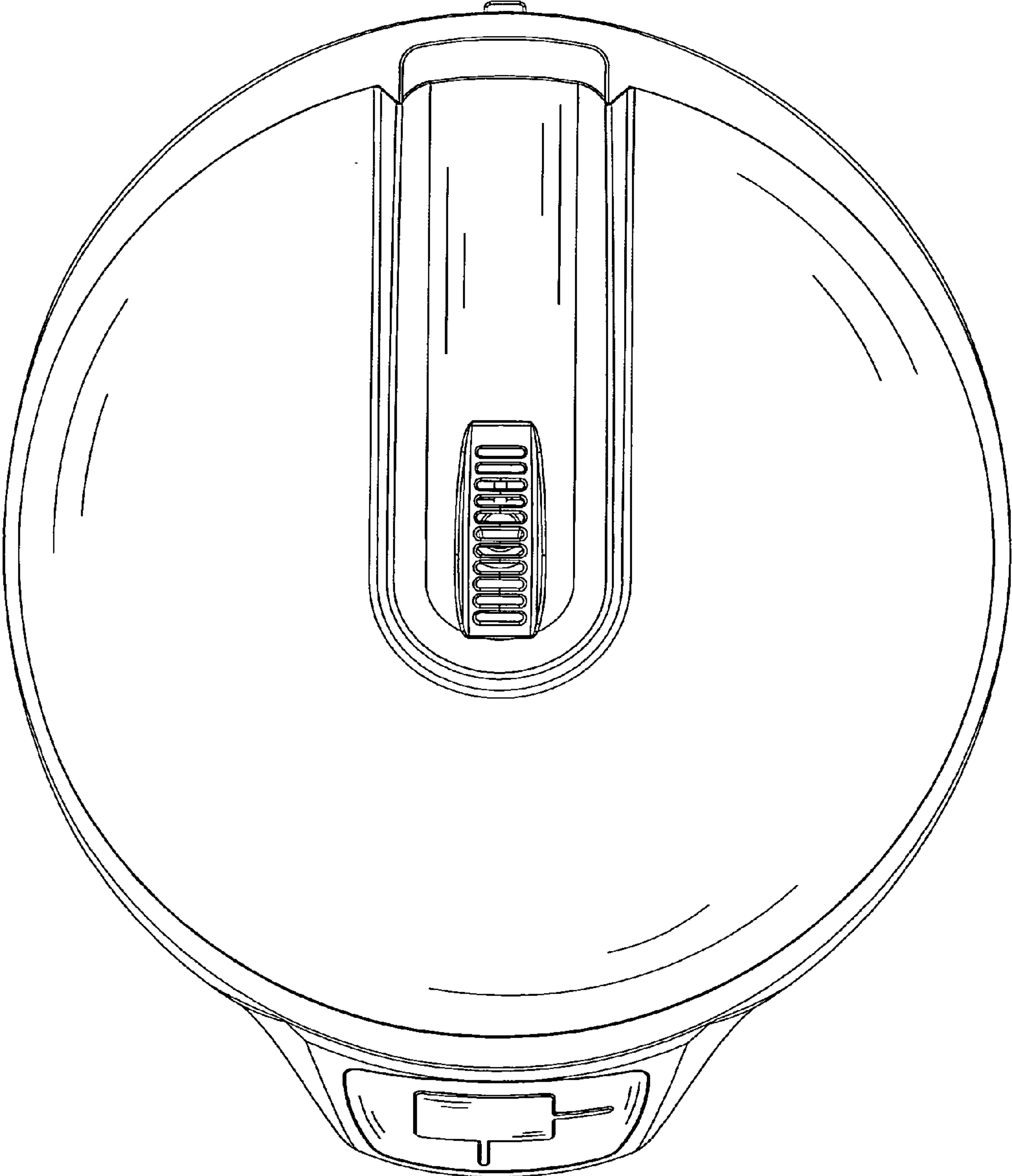


FIG. 3

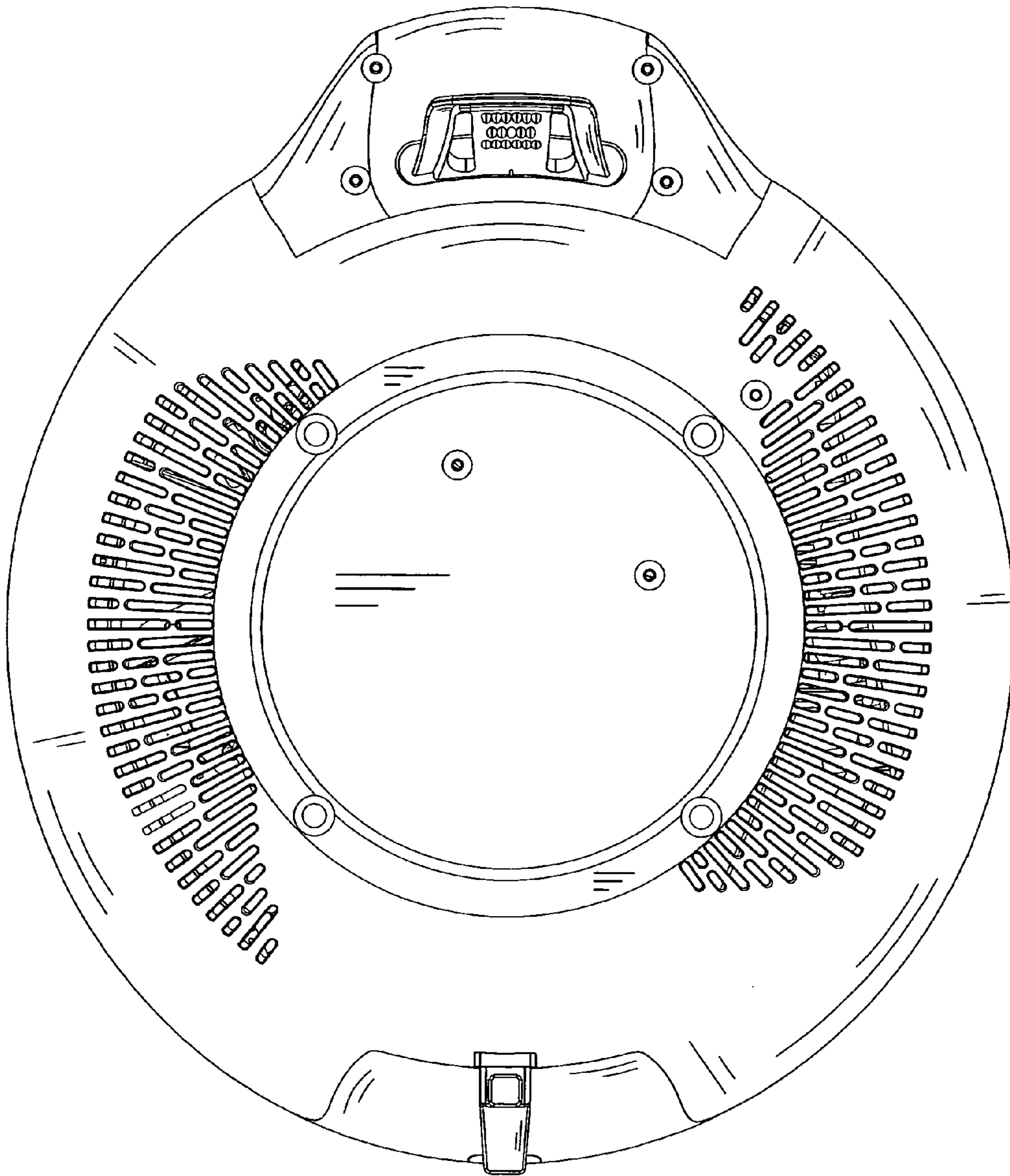


FIG. 4



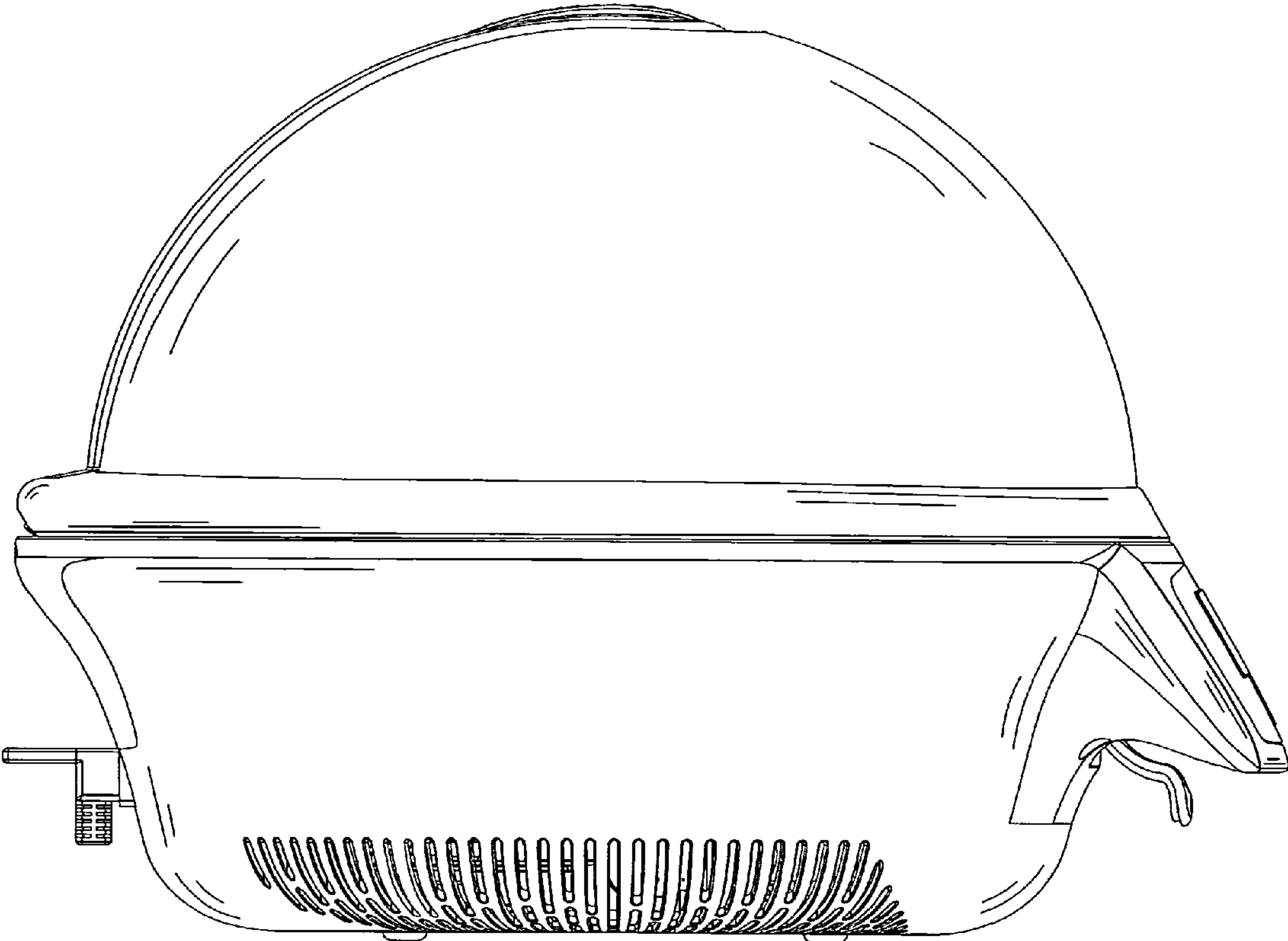


FIG. 5

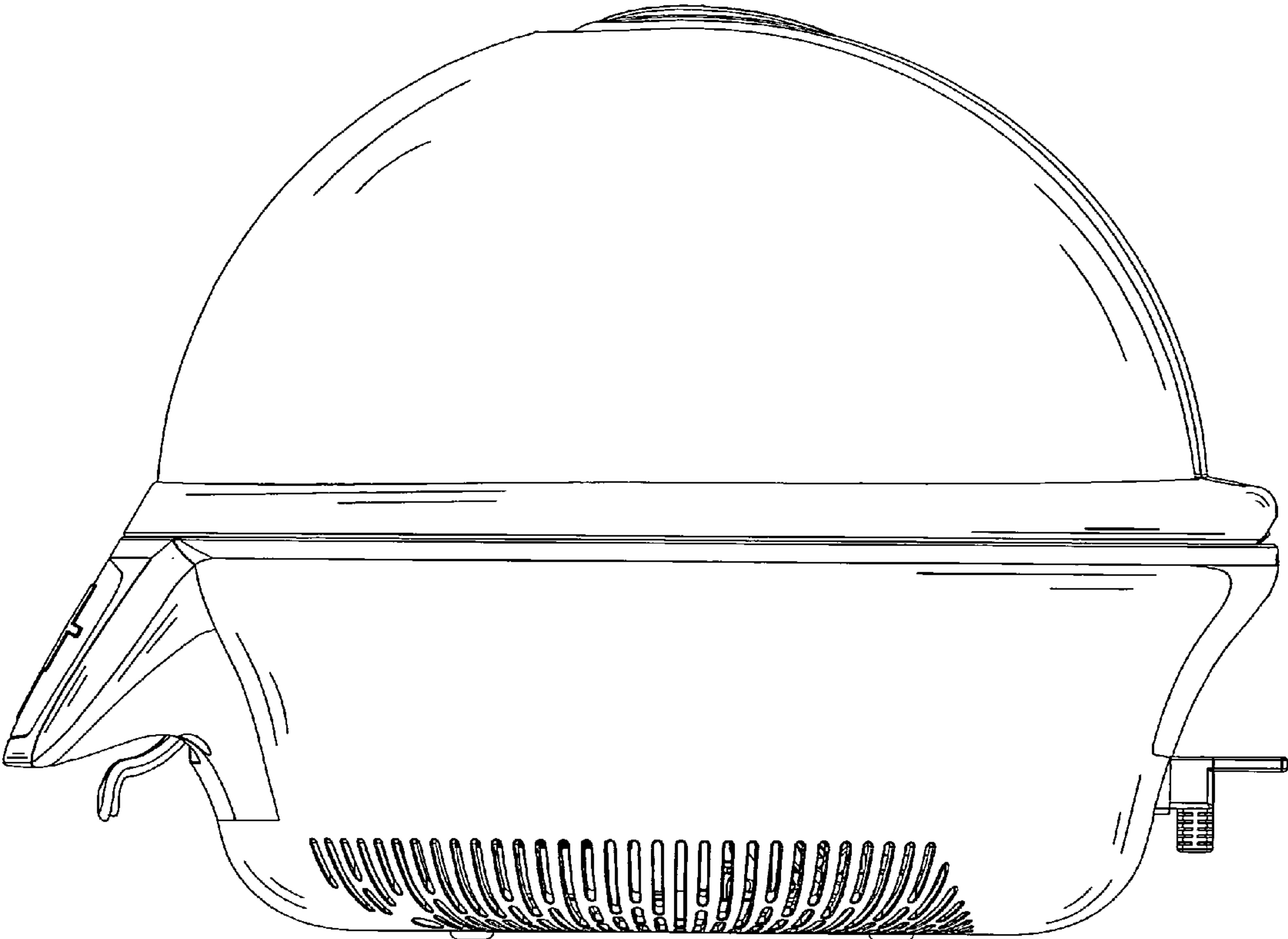


FIG. 6

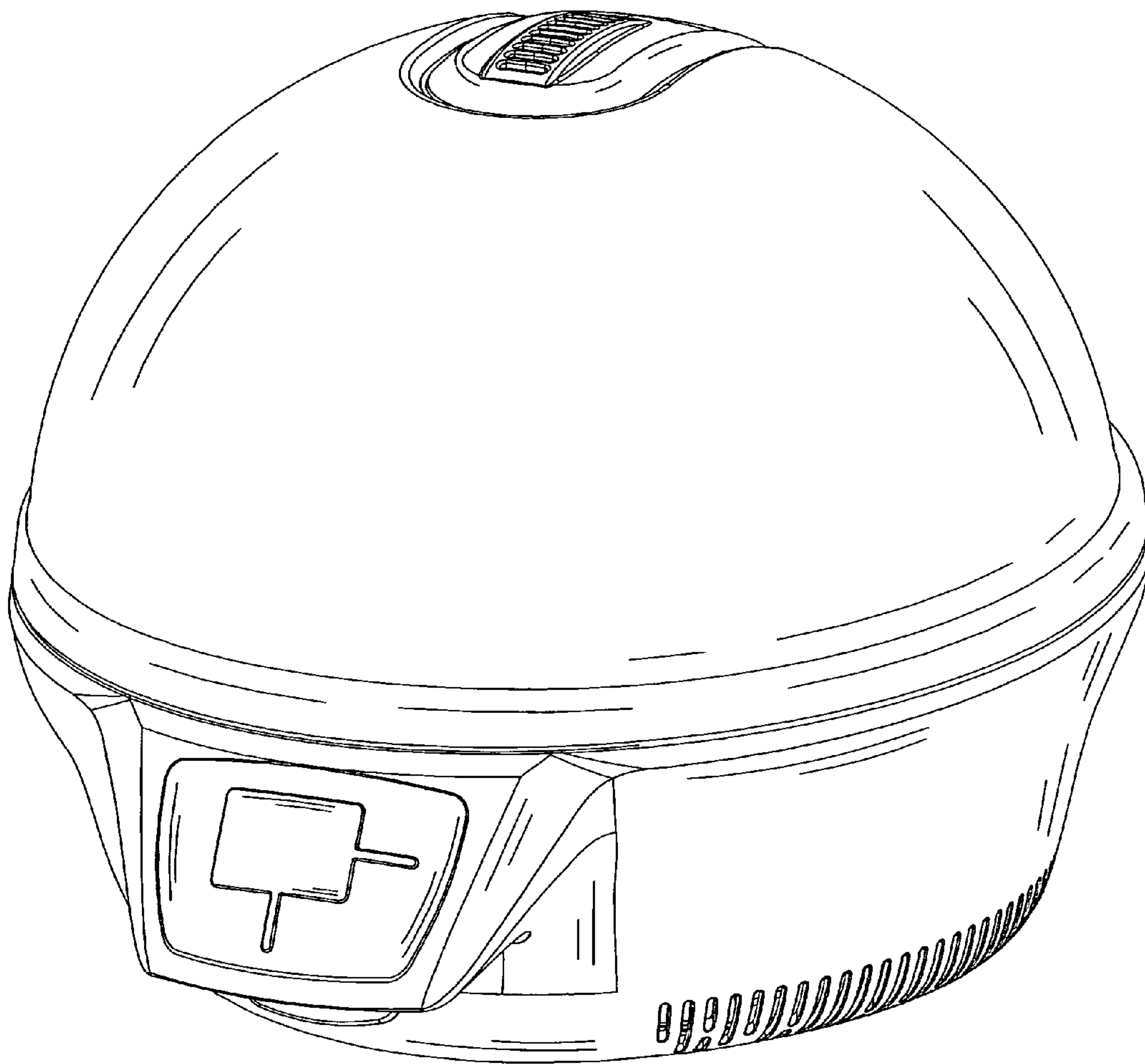


FIG. 7