

US00D671349S

(12) **United States Design Patent**
Judkins

(10) **Patent No.:** **US D671,349 S**

(45) **Date of Patent:** **** Nov. 27, 2012**

(54) **CELLULAR SHADE**

(75) Inventor: **Ren Judkins**, Pittsburgh, PA (US)

(73) Assignee: **Flexo Solutions, LLC**, Appleton, WI (US)

(**) Term: **14 Years**

(21) Appl. No.: **29/410,441**

(22) Filed: **Jan. 9, 2012**

(51) **LOC (9) Cl.** **06-10**

(52) **U.S. Cl.** **D6/575**

(58) **Field of Classification Search** D6/575,
D6/576, 577, 578, 579, 580, 585; 160/84.01,
160/84.05, 84.08, 107, 111, 113, 114, 130,
160/131, 199, 230, 232, 348; 156/197; 428/116;
D1/318; 242/157, 384.7; 24/141
See application file for complete search history.

(56) **References Cited**

U.S. PATENT DOCUMENTS

2,227,385 A 12/1940 Benedict
4,677,013 A 6/1987 Anderson

D501,749 S * 2/2005 Gruner D6/575
D530,134 S * 10/2006 Smith et al. D6/585
D663,147 S * 7/2012 Cheng D6/575

* cited by examiner

Primary Examiner — Susan Bennett Hattan

Assistant Examiner — Barbara B Lohr

(74) *Attorney, Agent, or Firm* — Buchanan Ingersoll & Rooney PC

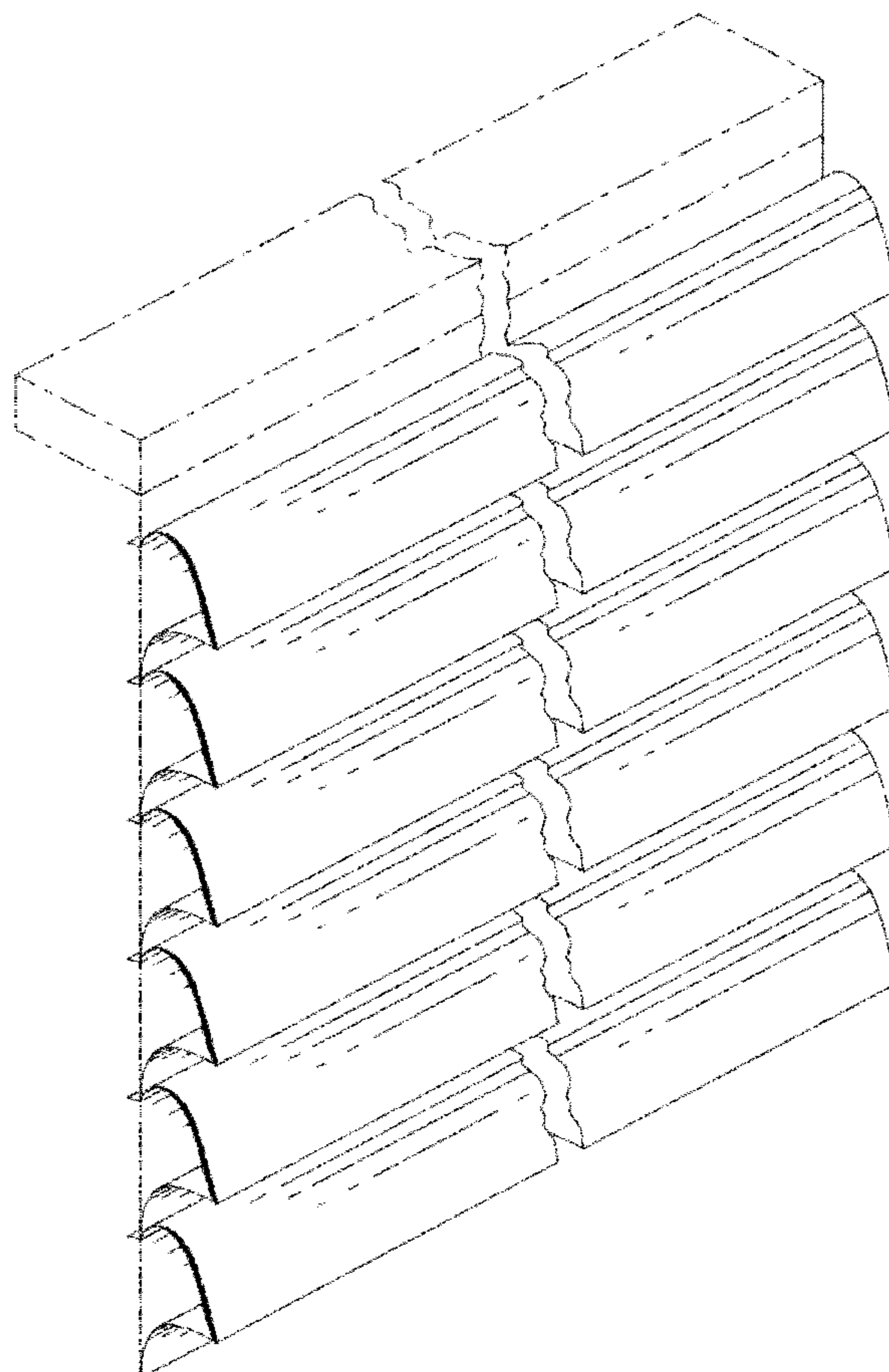
(57) **CLAIM**

The ornamental design for a cellular shade, as shown and described.

DESCRIPTION

FIG. 1 is a first perspective view of my cellular shade;
FIG. 2 is a right side view thereof, the left side view being a mirror image thereof;
FIG. 3 is a front view thereof;
FIG. 4 is a rear view thereof;
FIG. 5 is a top view thereof; and,
FIG. 6 is a bottom view thereof.
In FIGS. 1 and 3 through 6 the cellular shade is cut to indicate that the appearance of any portion of the article between the break lines forms no part of the claimed design.
A headrail is shown in broken line in the figures and forms no part of the claimed design.

1 Claim, 5 Drawing Sheets



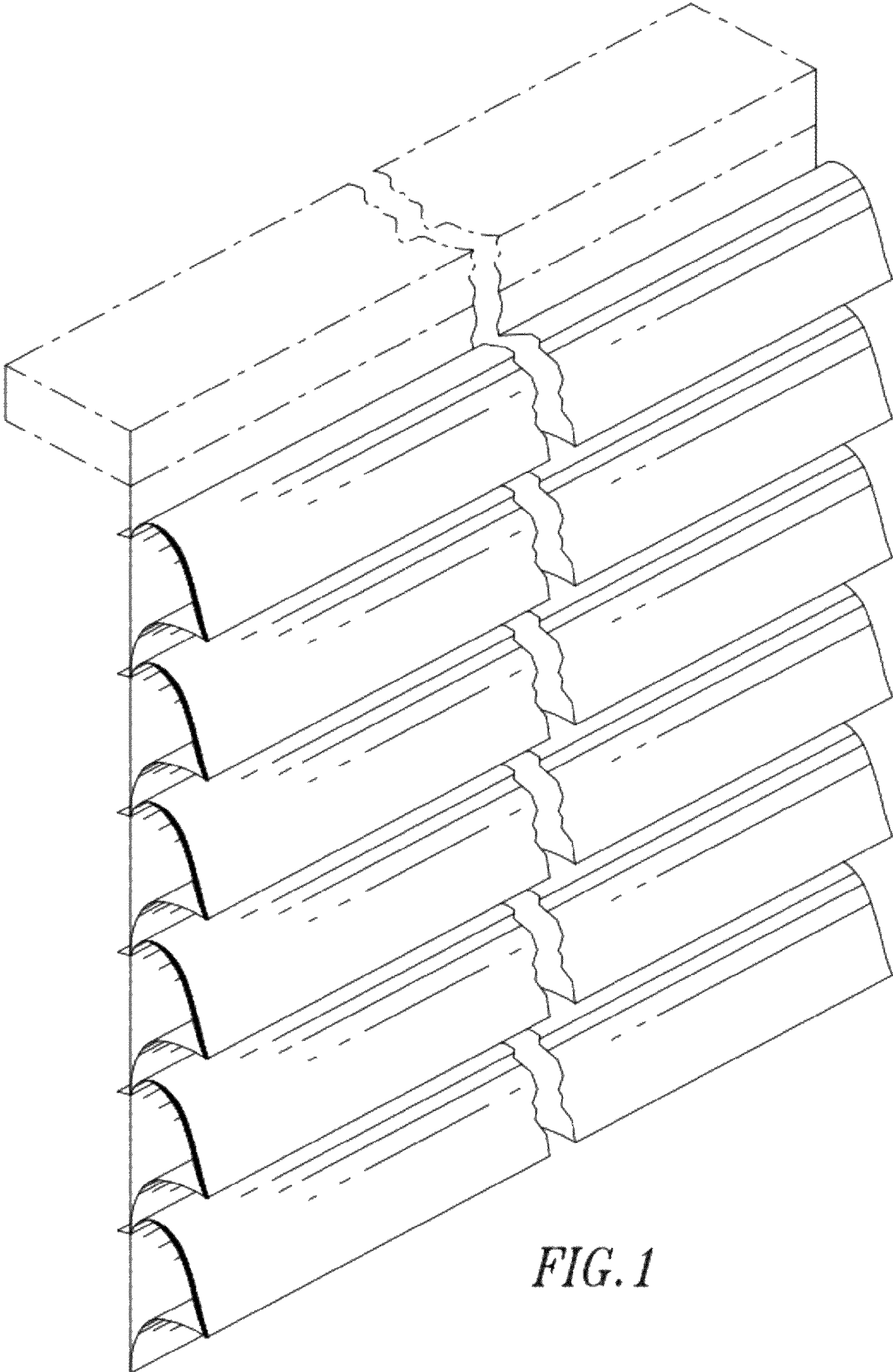


FIG. 1

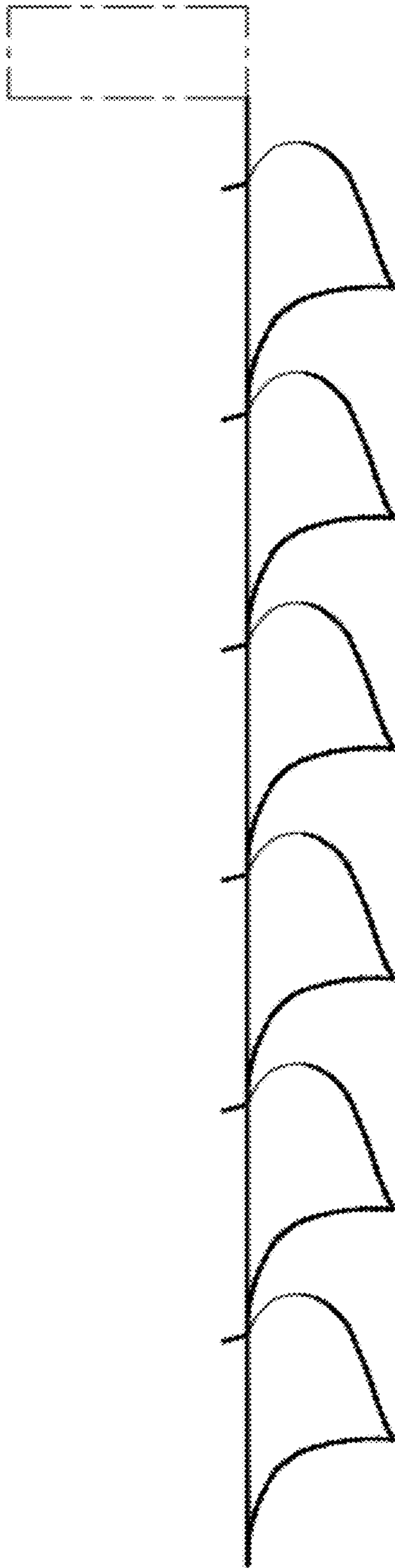


FIG. 2

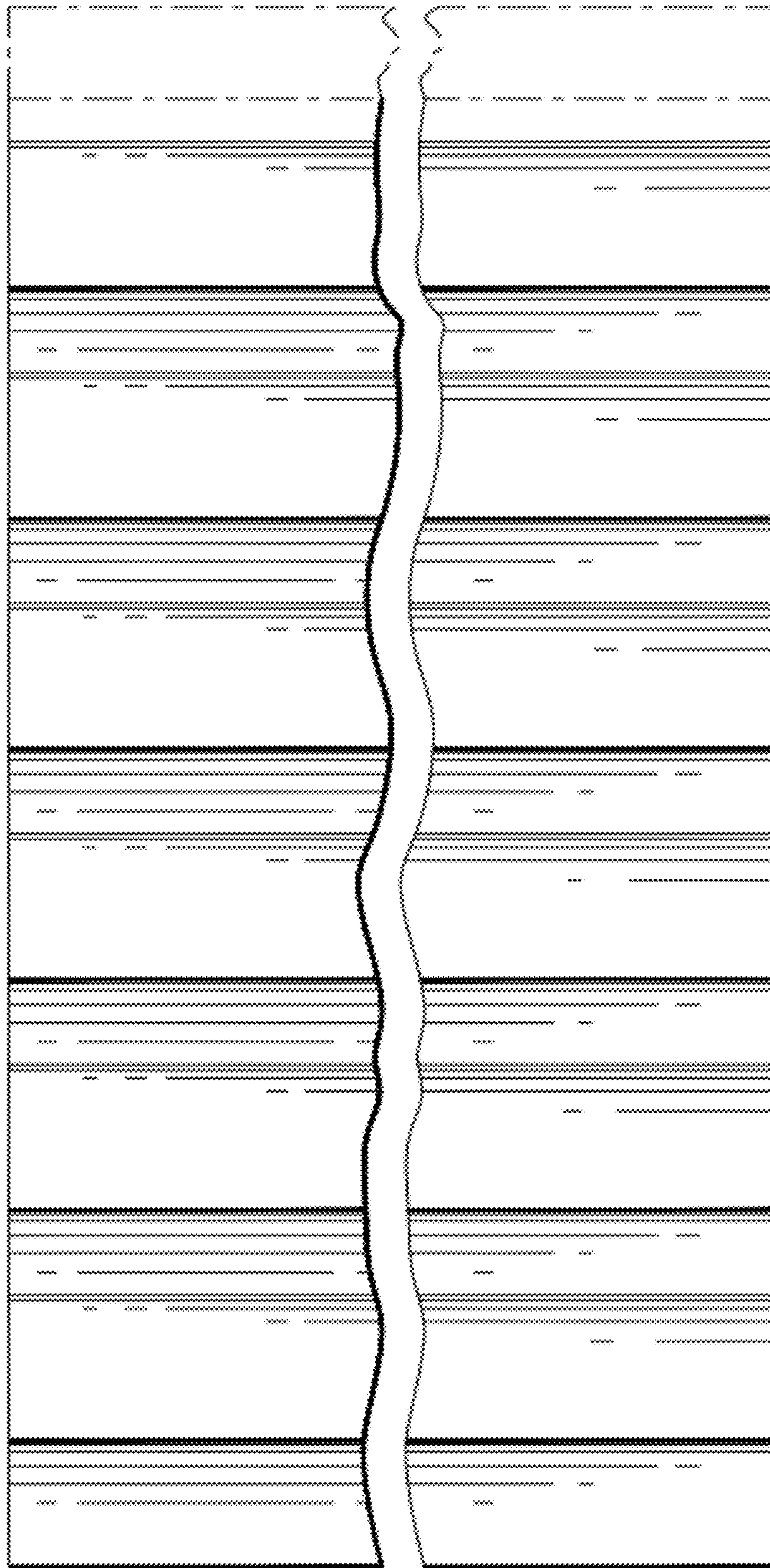


FIG. 3

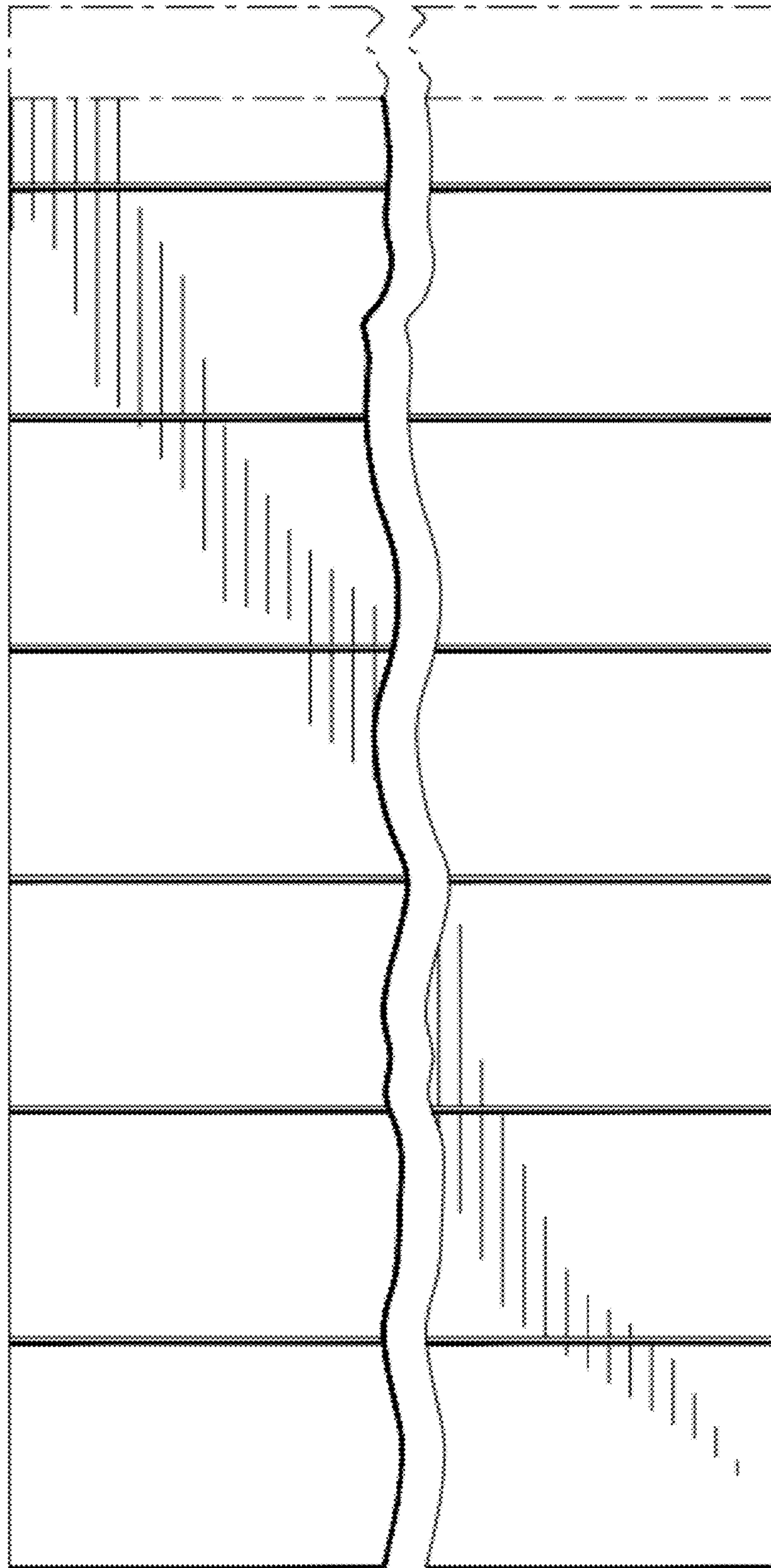


FIG. 4

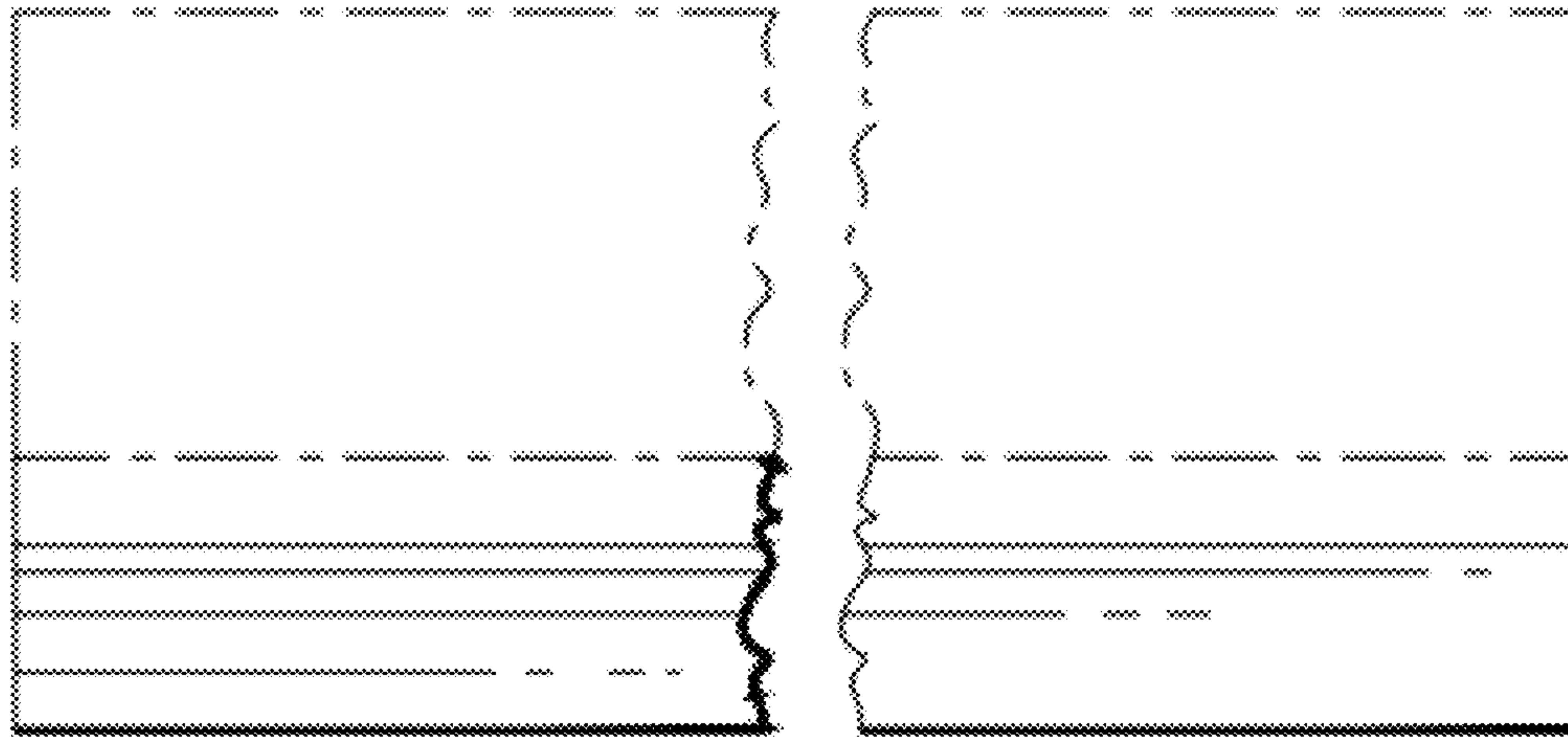


FIG. 5

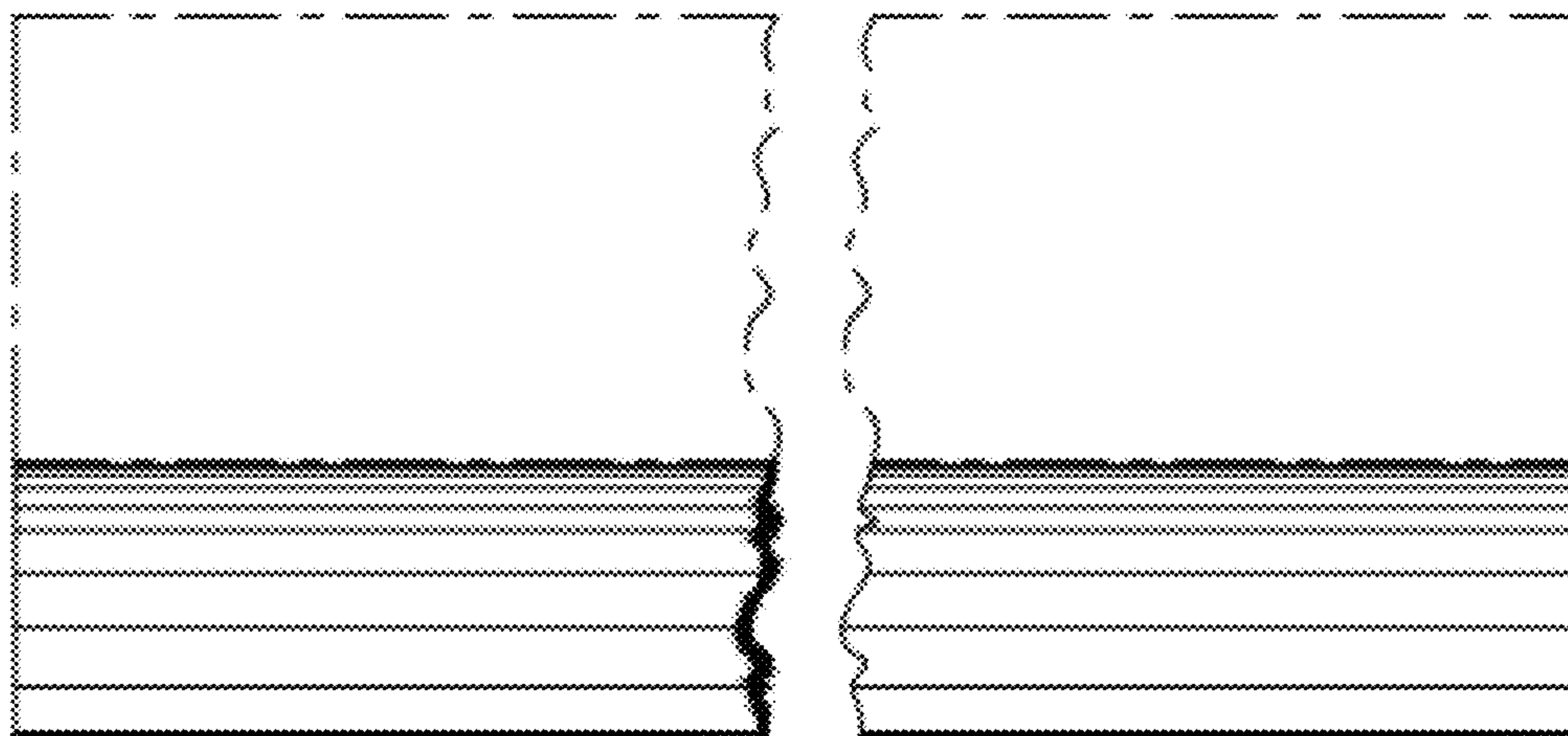


FIG. 6