



US00D671348S

(12) **United States Design Patent**
Cittadino

(10) **Patent No.:** **US D671,348 S**

(45) **Date of Patent:** **** Nov. 27, 2012**

(54) **WALL-MOUNTABLE TOWEL BAR**

(75) Inventor: **Kyle Cittadino**, Wilmington, DE (US)

(73) Assignee: **Zenith Products Corporation**, New Castle, DE (US)

(**) Term: **14 Years**

(21) Appl. No.: **29/397,457**

(22) Filed: **Jul. 15, 2011**

(51) **LOC (9) Cl.** **06-04**

(52) **U.S. Cl.** **D6/549; D6/550**

(58) **Field of Classification Search** D6/518-524,
D6/546-550, 574; D8/300, 370, 315; 108/28-29;
211/13.1, 16, 85.5, 86.01, 87.01, 88.04, 100,
211/105.1, 105.2, 106, 113, 123, 181.1, 182-183;
248/49, 175, 176.1, 200, 201, 205.1, 251,
248/302, 309.1, 315; 242/570, 590, 595-598
See application file for complete search history.

(56) **References Cited**

U.S. PATENT DOCUMENTS

D417,576 S *	12/1999	Ming-Hsiao	D6/549
D439,091 S *	3/2001	Milrud et al.	D6/549
D465,954 S *	11/2002	Chen	D6/549
D466,743 S *	12/2002	Ouyoung	D6/549
D478,449 S *	8/2003	Hoernig	D6/549
D493,648 S *	8/2004	Hoernig	D6/549
6,796,442 B1 *	9/2004	Wu	D6/549
D604,076 S *	11/2009	Chen	D6/549

* cited by examiner

Primary Examiner — Brian N Vinson

(74) *Attorney, Agent, or Firm* — Panitch Schwarze Belisario & Nadel LLP

(57) **CLAIM**

The ornamental design for a wall-mountable towel bar, as shown and described.

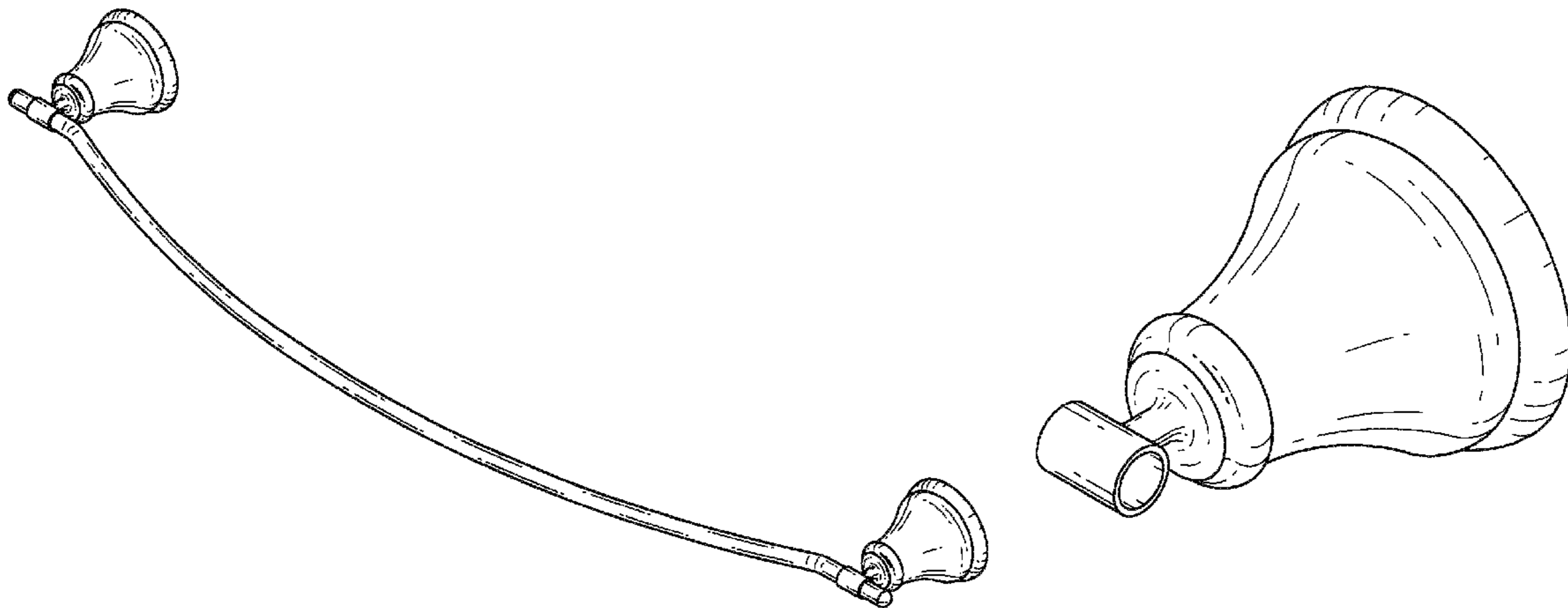
DESCRIPTION

FIG. 1 is a right front perspective view of a wall-mountable towel bar in accordance with my new design;
 FIG. 2 is a front elevational view thereof;
 FIG. 3 is a top plan view thereof, the bottom plan view being identical;
 FIG. 4 is a right side elevational view thereof, a left side elevational view being a mirror image thereof;
 FIG. 5 is enlarged fragmentary view of a portion of the design shown in 1, with the remaining portions omitted from the disclosure merely for clarity of illustration;
 FIG. 6 is enlarged fragmentary view of a portion of the design shown in 2;
 FIG. 7 is enlarged fragmentary view of a portion of the design shown in 3; and,
 FIG. 8 is enlarged fragmentary view of a portion of the design shown in 4.

The broken lines in the figures are for illustrative purposes only and form no part of the claimed design.

The rear elevation view of the wall-mountable towel bar is not shown in the drawings or described in the specification and, therefore, forms no part of the claimed design.

1 Claim, 4 Drawing Sheets



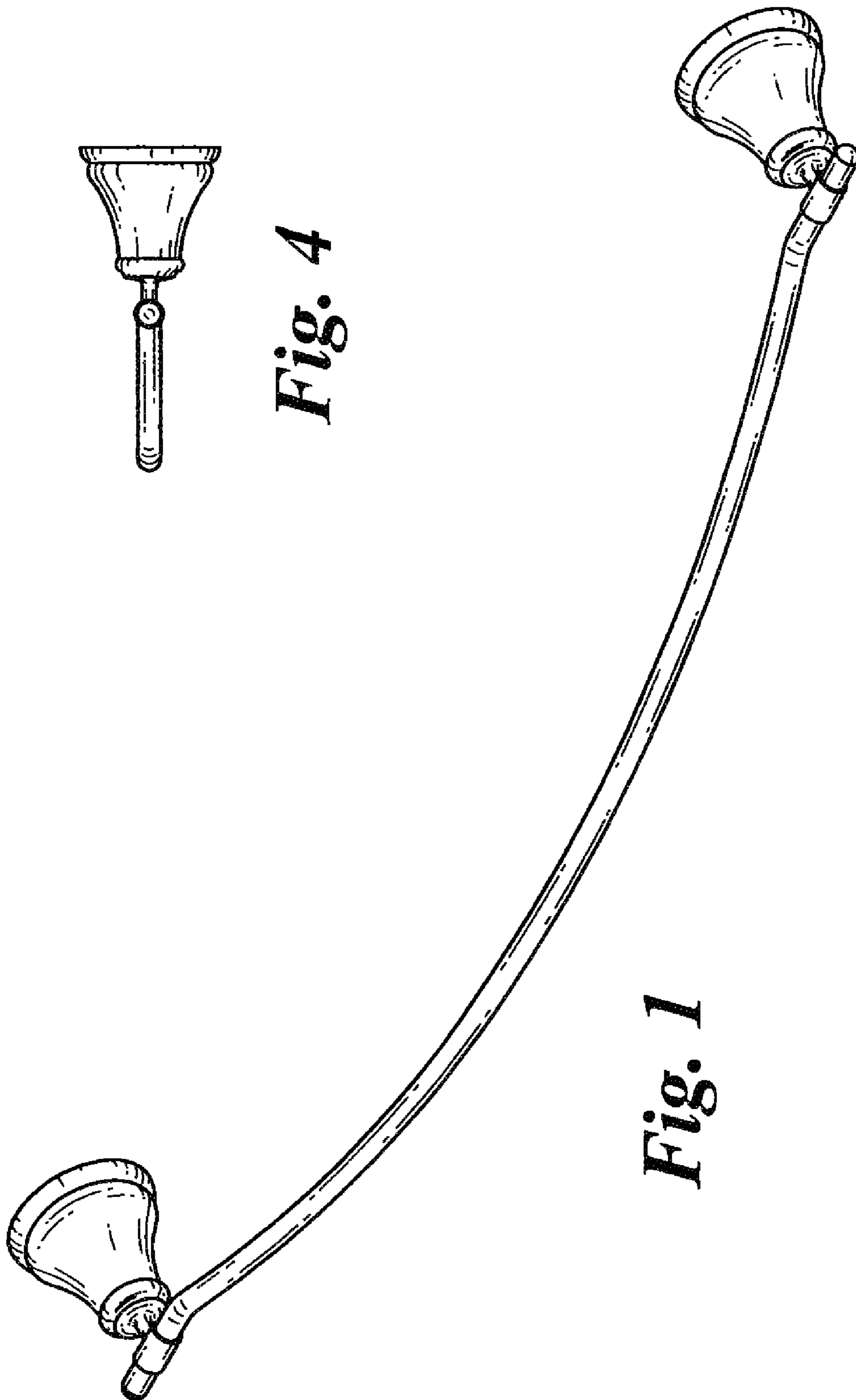


Fig. 1

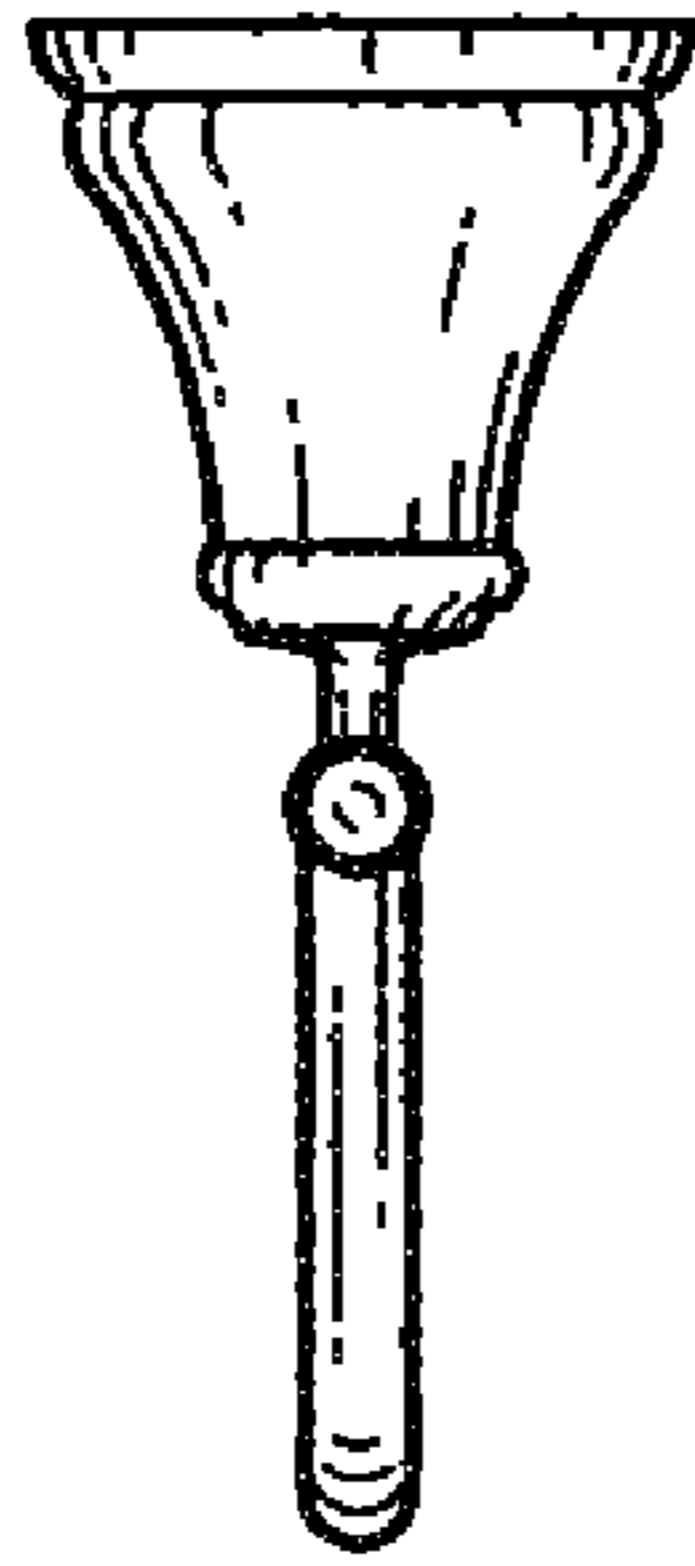


Fig. 4

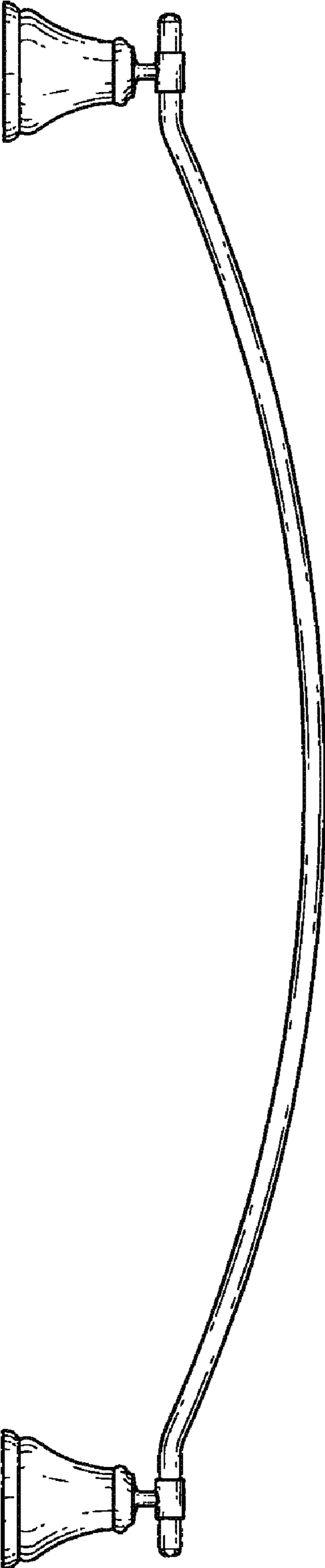


Fig. 3

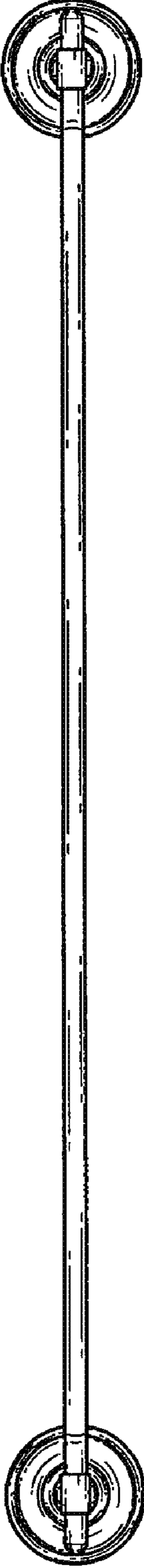


Fig. 2

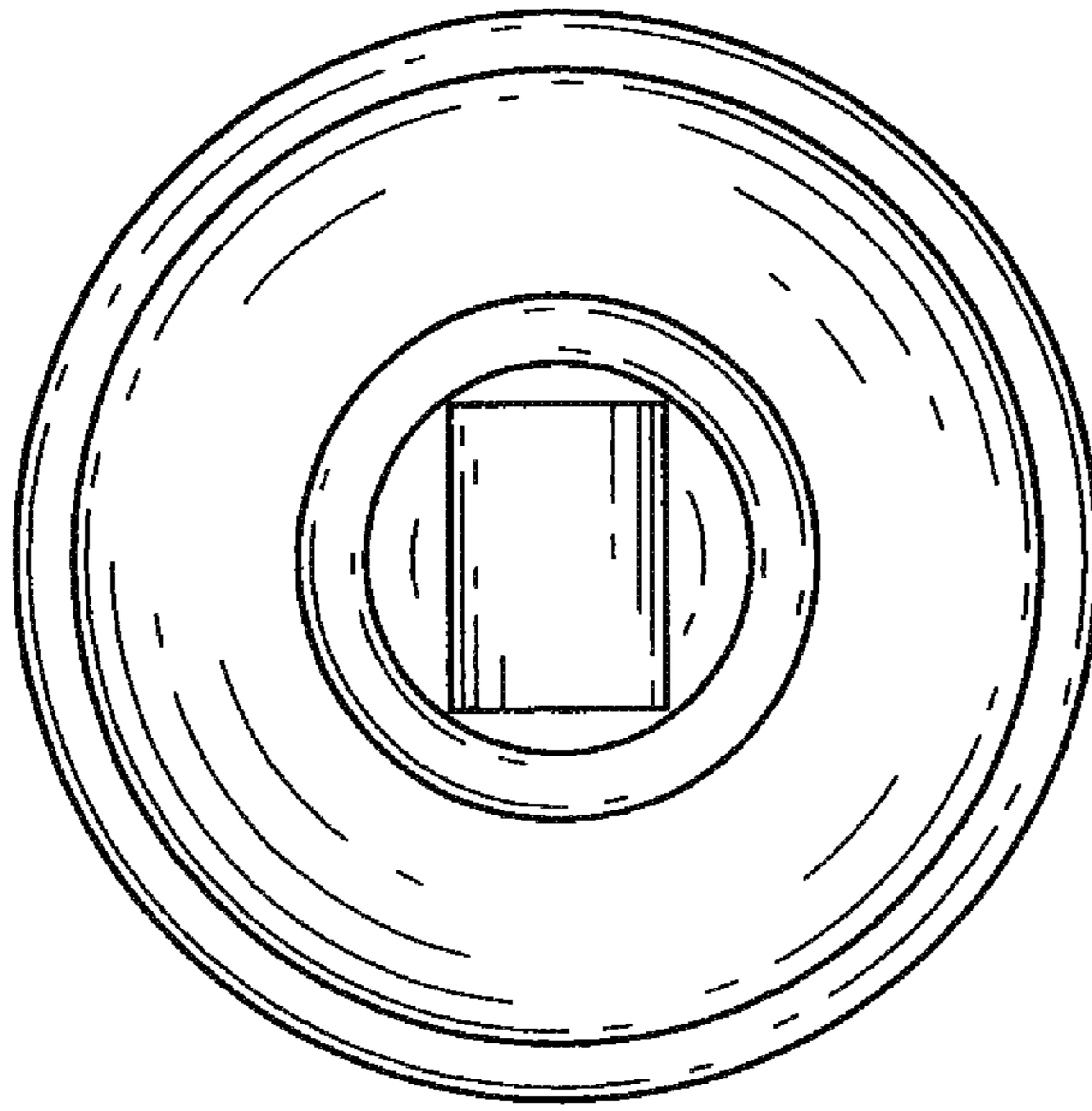


Fig. 6

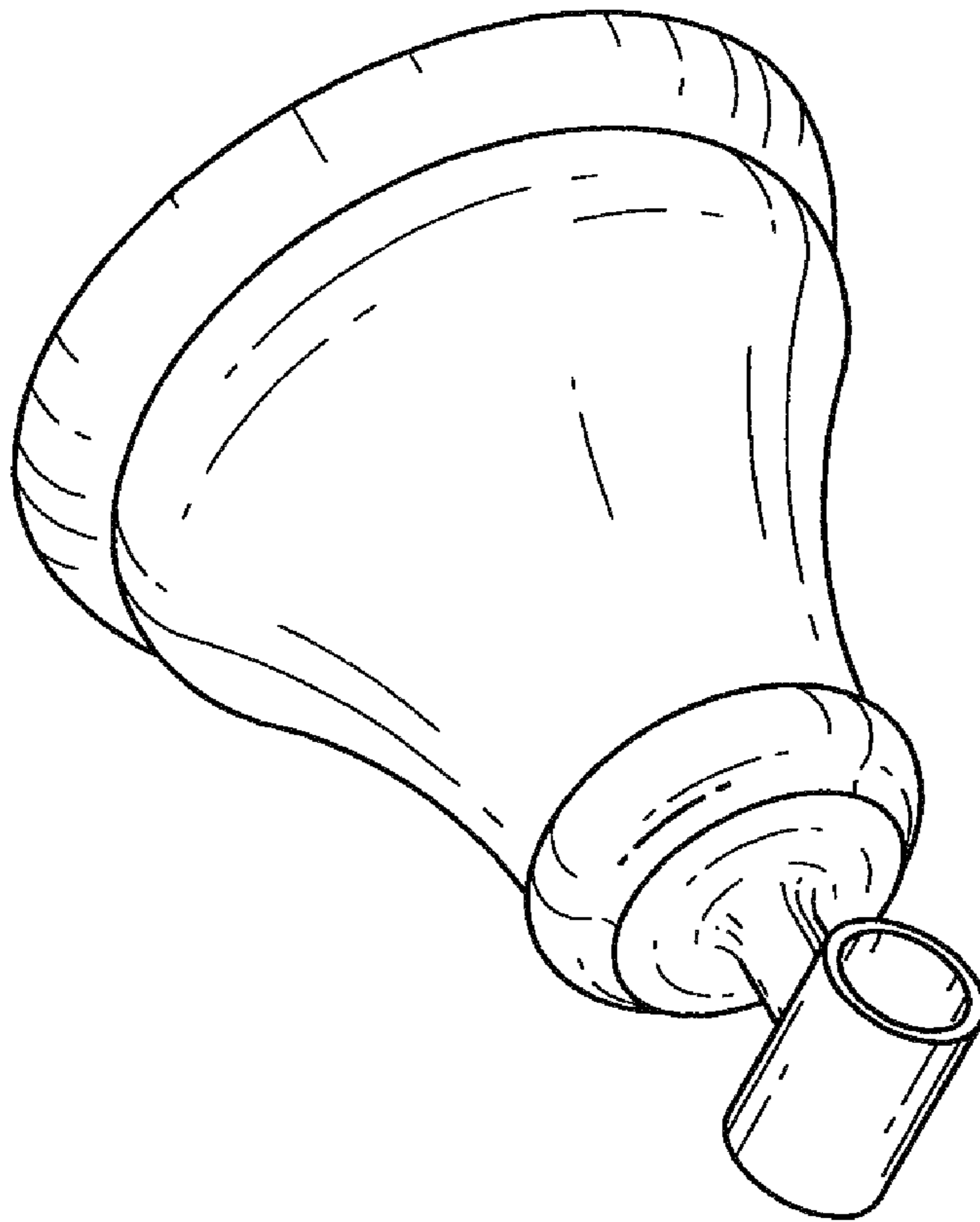


Fig. 5

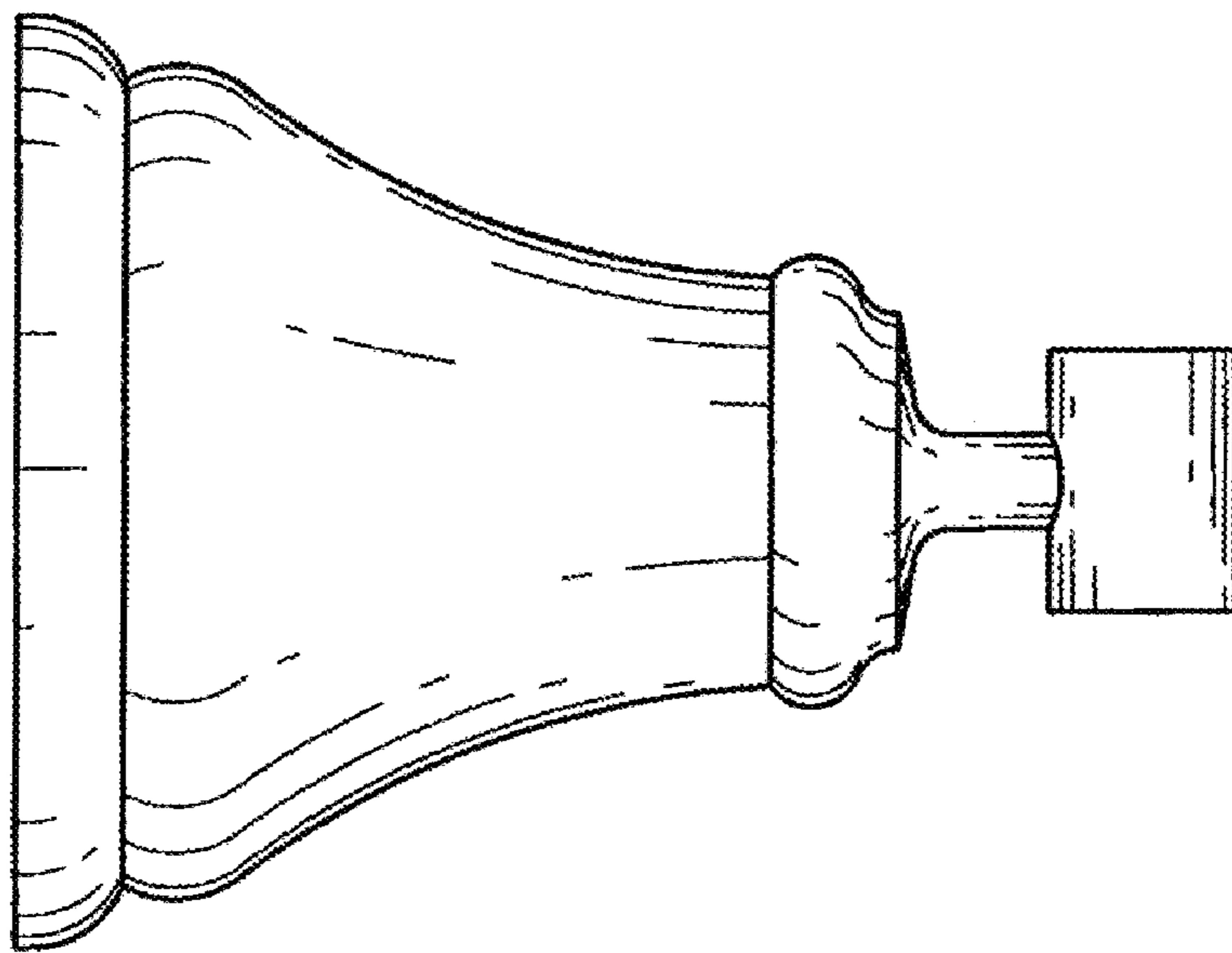


Fig. 7

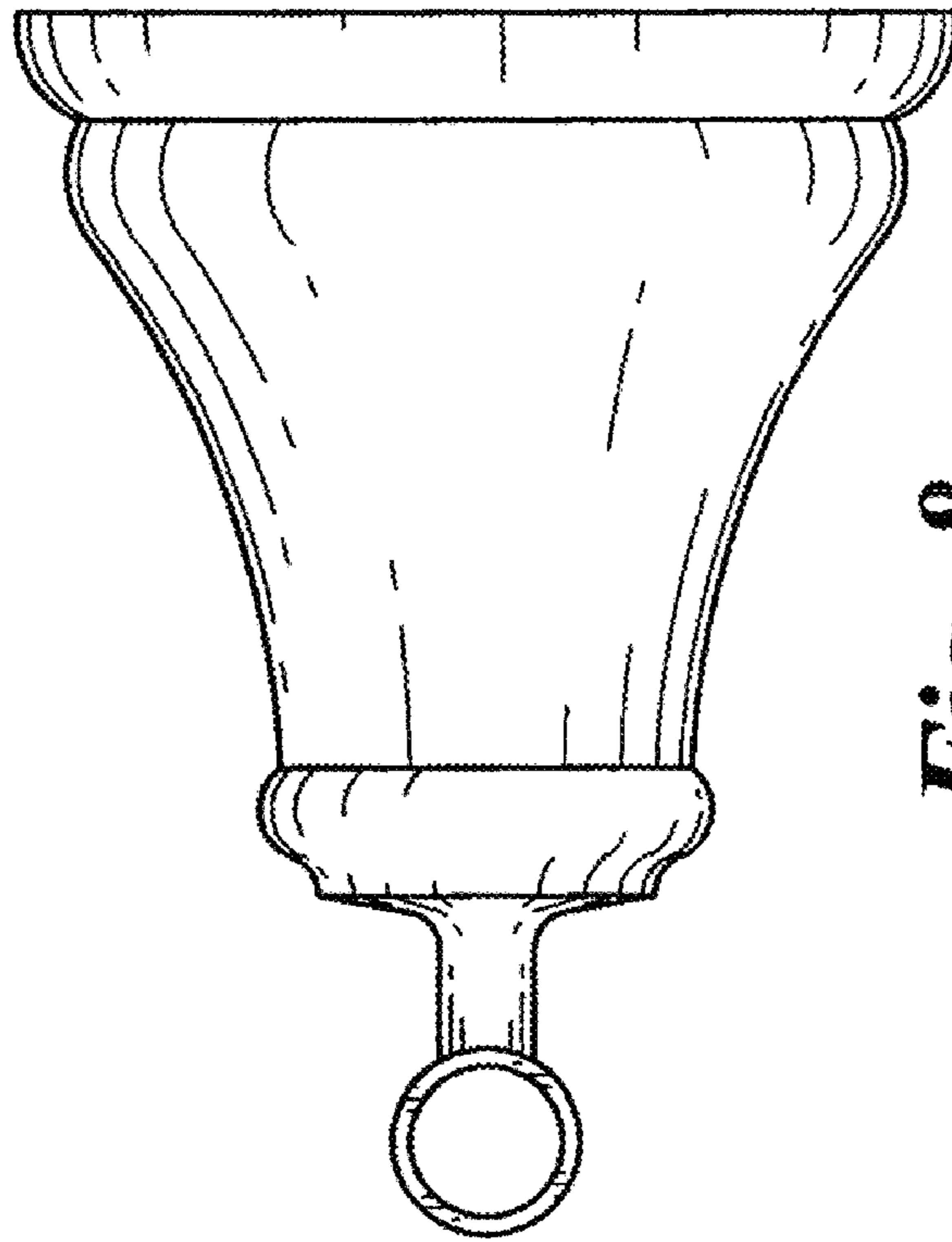


Fig. 8