



US00D671345S

(12) **United States Design Patent**
Rich

(10) **Patent No.:** **US D671,345 S**

(45) **Date of Patent:** **** Nov. 27, 2012**

(54) **DUAL COMPARTMENT CONTAINER**

(76) Inventor: **Michael L. Rich**, Campbell, CA (US)

(**) Term: **14 Years**

(21) Appl. No.: **29/420,298**

(22) Filed: **May 7, 2012**

(51) **LOC (9) Cl.** **20-02**

(52) **U.S. Cl.** **D6/518**

(58) **Field of Classification Search** D6/515,
D6/518-523; D3/201; 206/389, 391, 407,
206/409; 312/34.1, 34.8; 211/16, 85.5, 59.2;
221/92, 97, 185, 282, 284; 242/159, 160.2,
242/550, 560, 590, 595, 588, 598, 598.3,
242/598.6

See application file for complete search history.

(56) **References Cited**

U.S. PATENT DOCUMENTS

D329,773 S *	9/1992	Addison et al.	D6/520
D438,736 S *	3/2001	Sanders et al.	D6/518
D443,450 S *	6/2001	Ruhotas et al.	D6/515
D617,127 S *	6/2010	Wang	D6/518

D634,138 S *	3/2011	Wallace	D6/518
D635,805 S *	4/2011	Pleyber et al.	D6/518
D658,914 S *	5/2012	Rich et al.	D6/518

* cited by examiner

Primary Examiner — Brian N Vinson

(74) *Attorney, Agent, or Firm* — QuickPatents, Inc.; Kevin Price

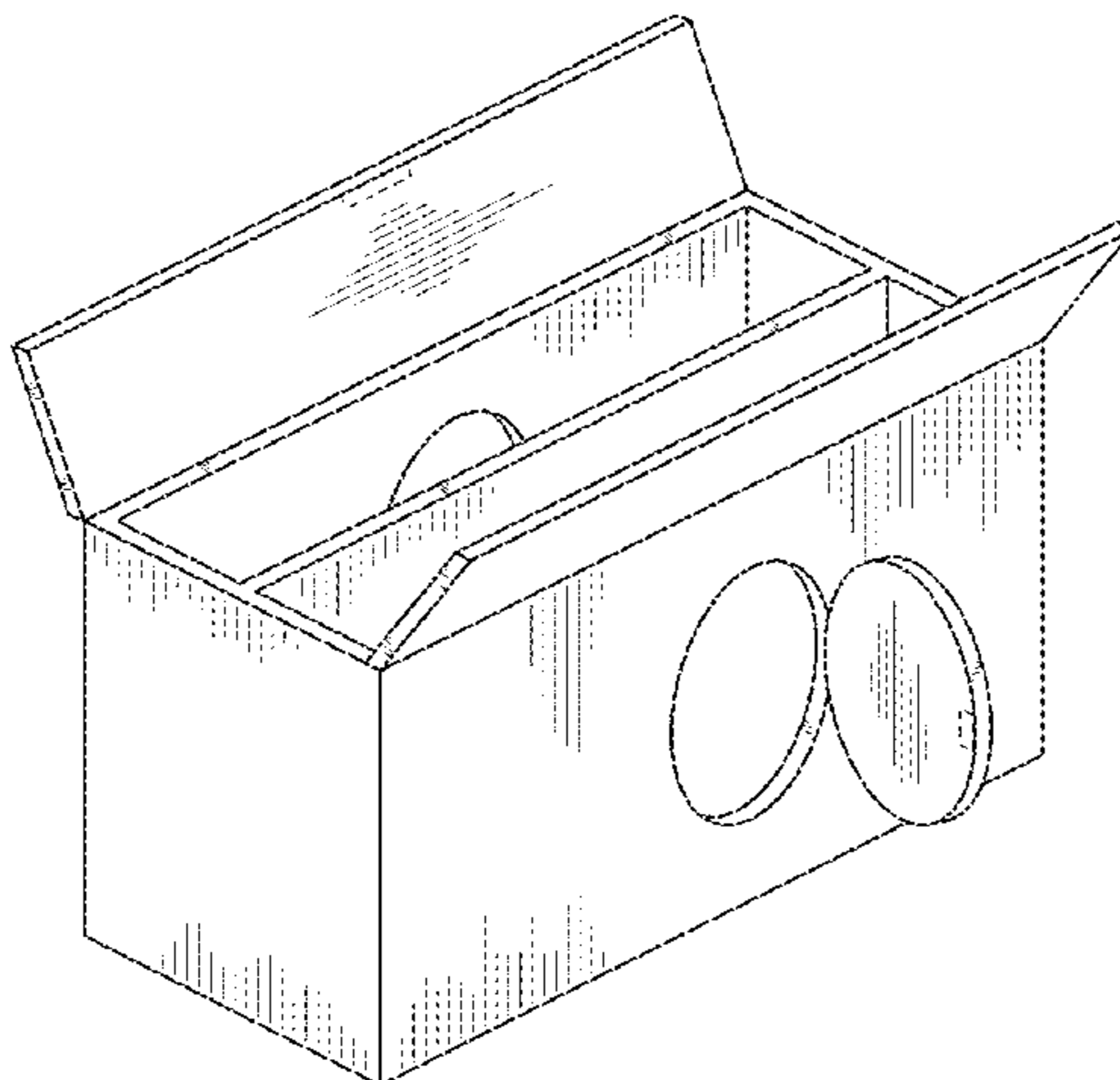
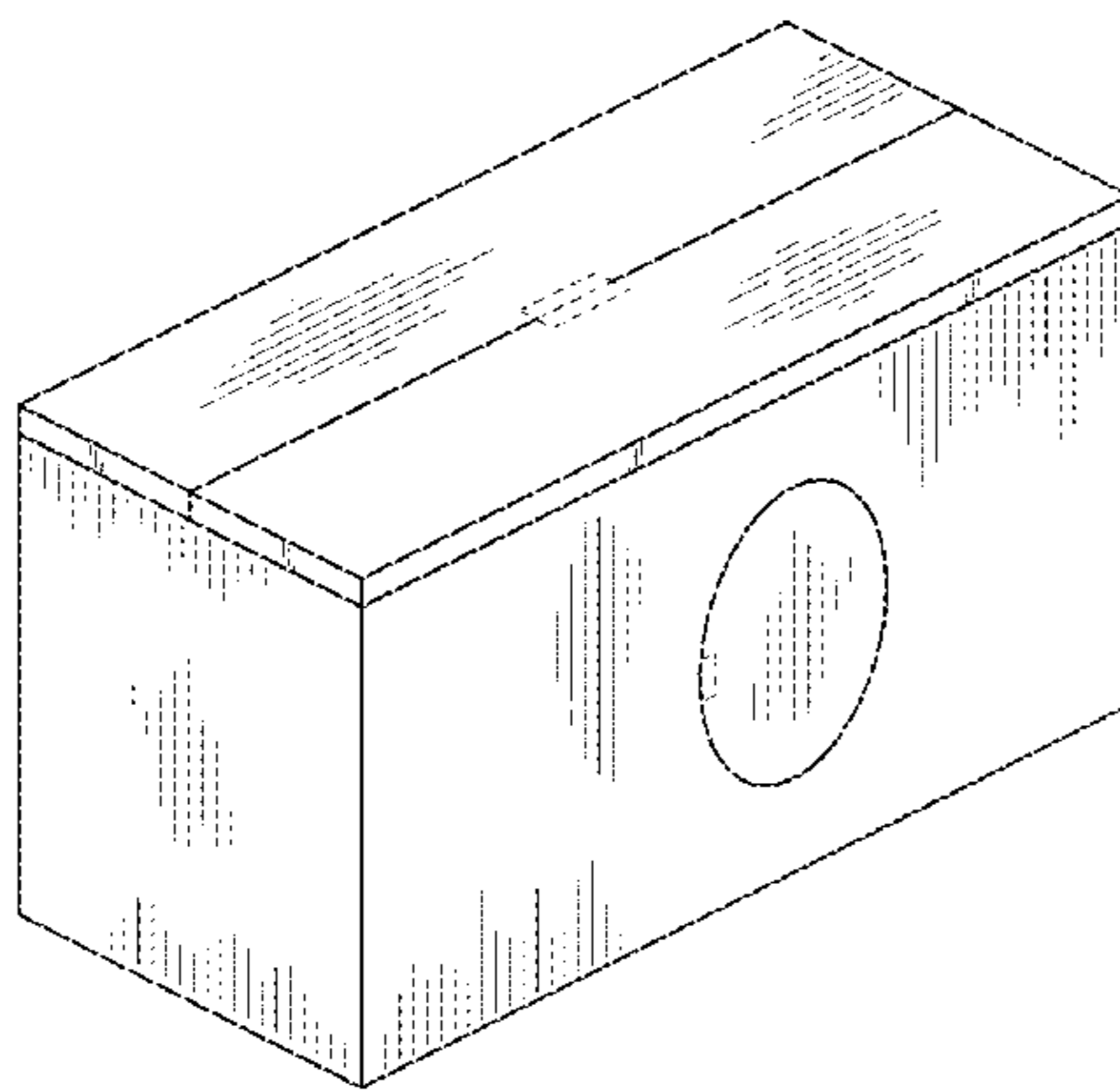
(57) **CLAIM**

I claim the ornamental design for a dual compartment container, as shown and described.

DESCRIPTION

FIG. 1 is a perspective view of a dual compartment container, showing my new design in a closed position;
FIG. 2 is a perspective view thereof, illustrated in an open position;
FIG. 3 is a left-side elevational view thereof, the right-side elevational view being a mirror image thereof;
FIG. 4 is a front elevational view thereof, the rear elevational view being a mirror image thereof;
FIG. 5 is a top plan view thereof; and,
FIG. 6 is a bottom plan view thereof.
The broken lines showing a door latches in FIGS. 1, 2, 4 and 5 depict environmental matter and form no part of the claimed design.

1 Claim, 3 Drawing Sheets



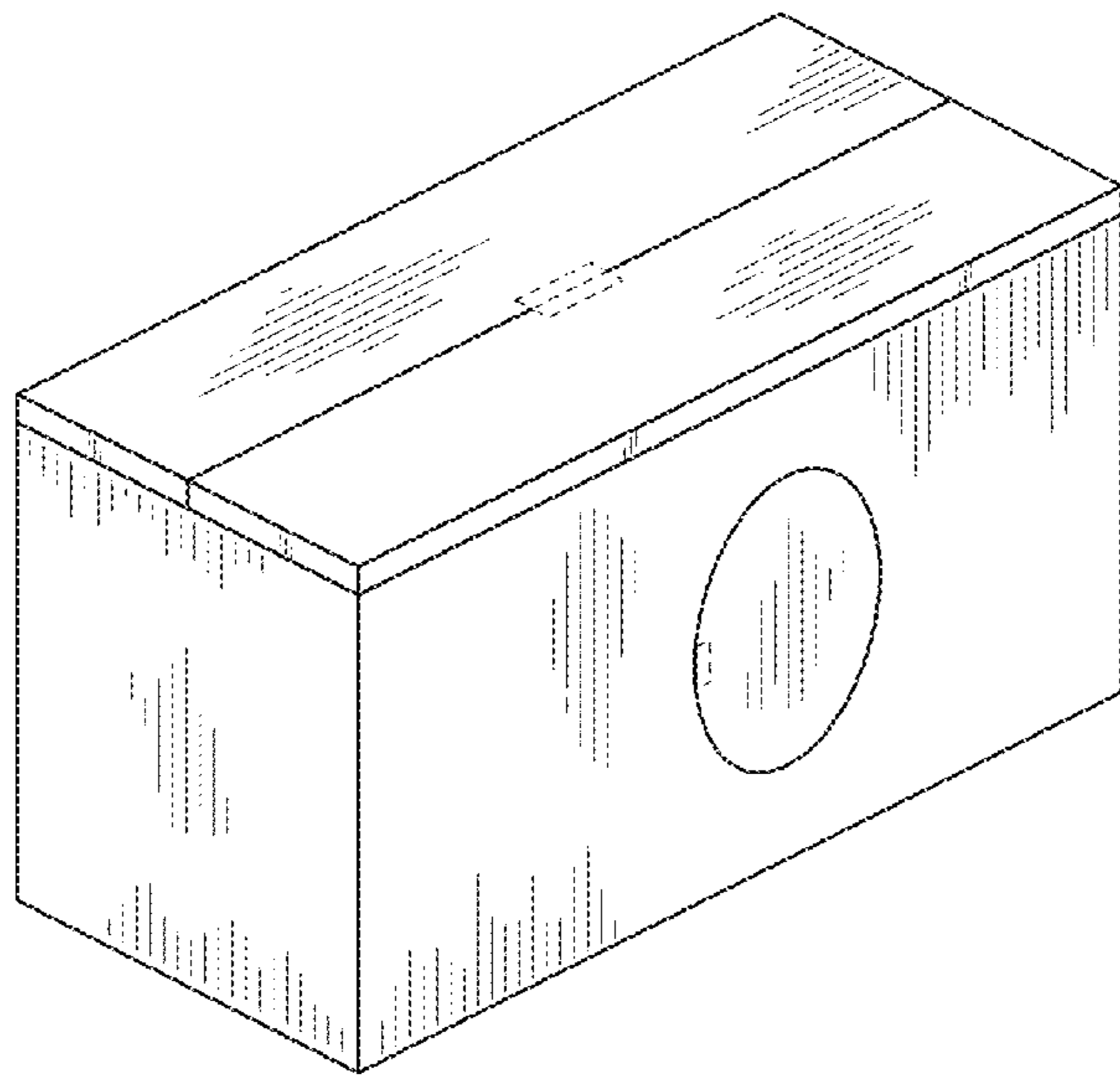


FIG. 1

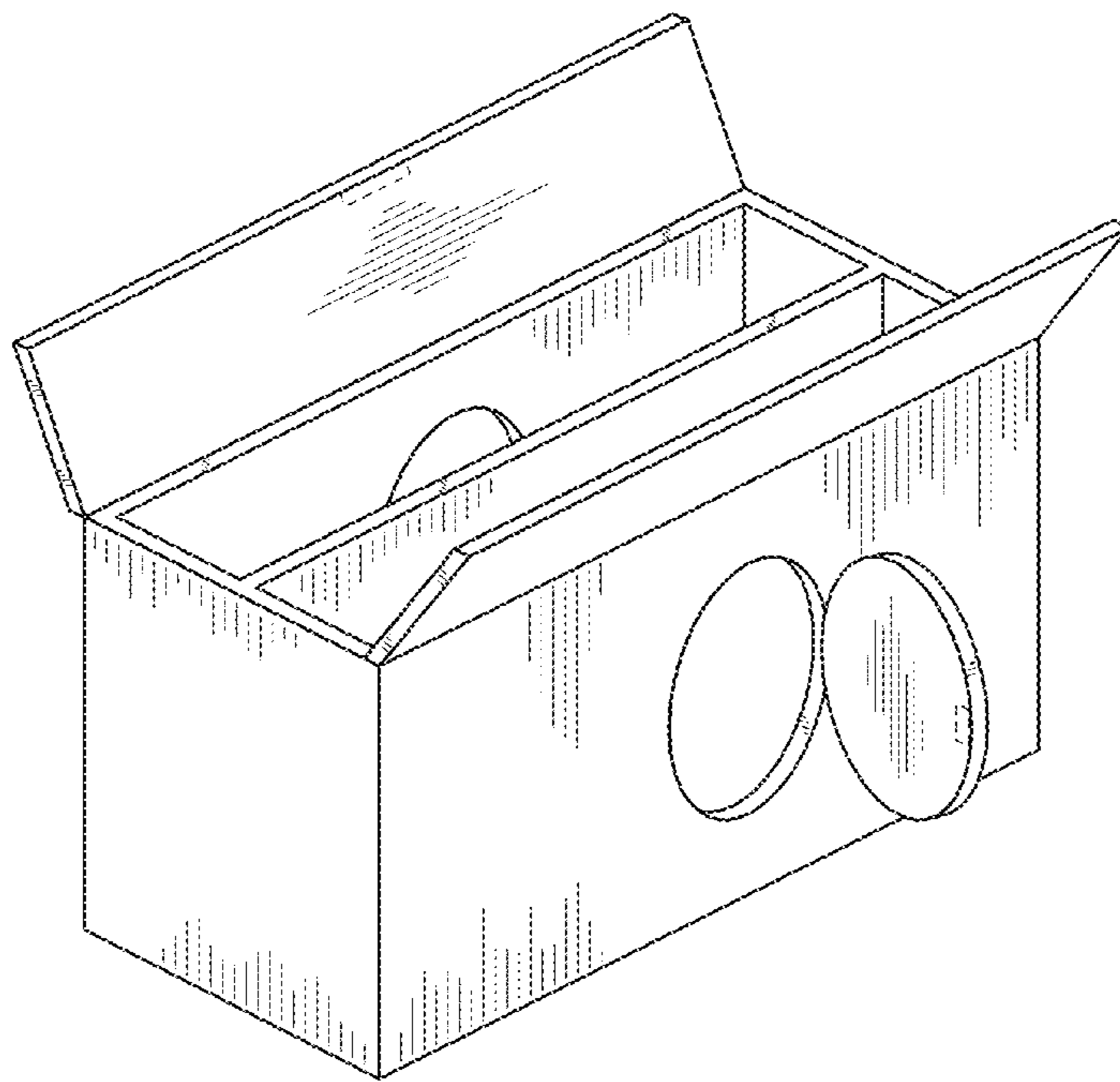


FIG. 2

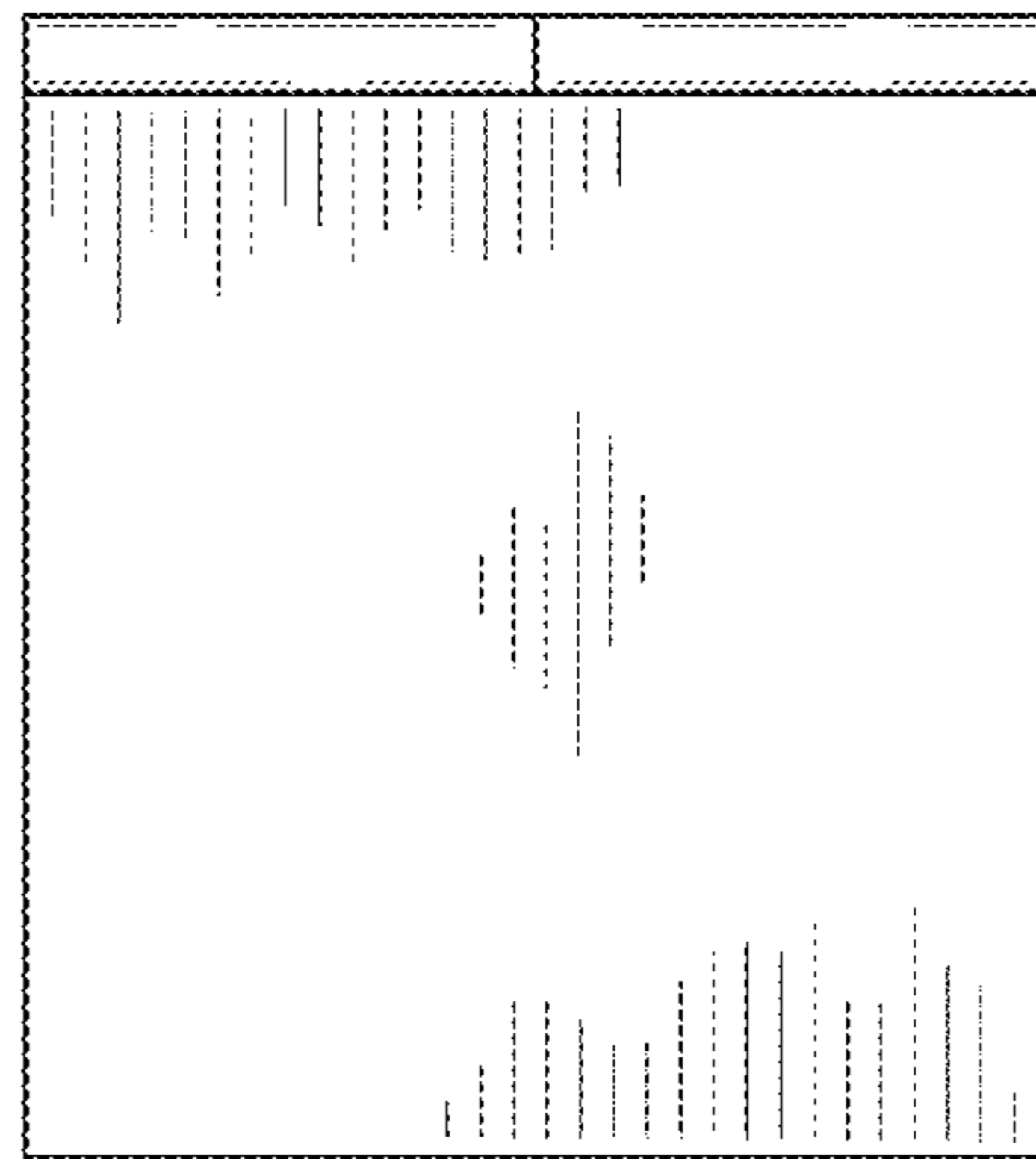


FIG. 3

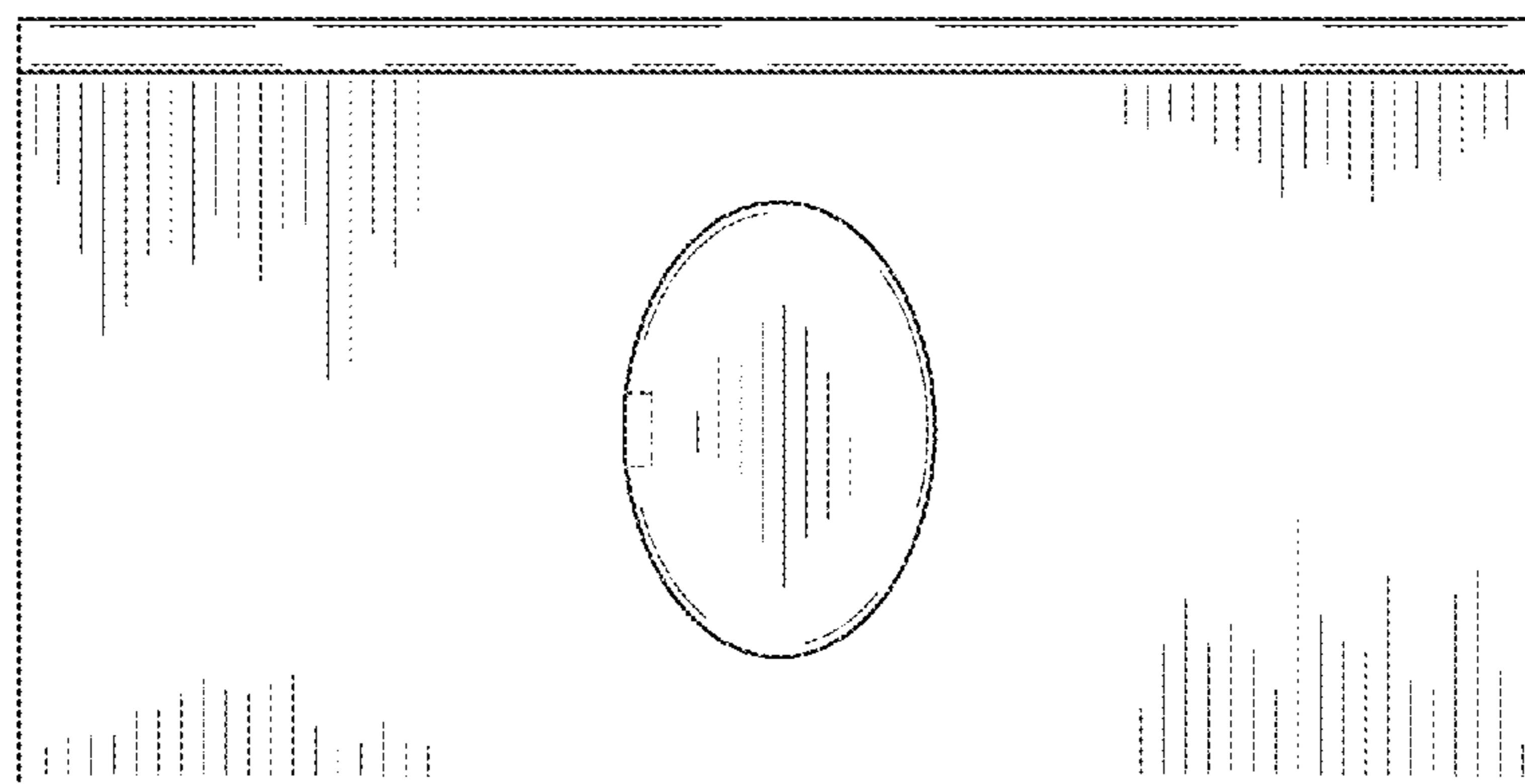


FIG. 4

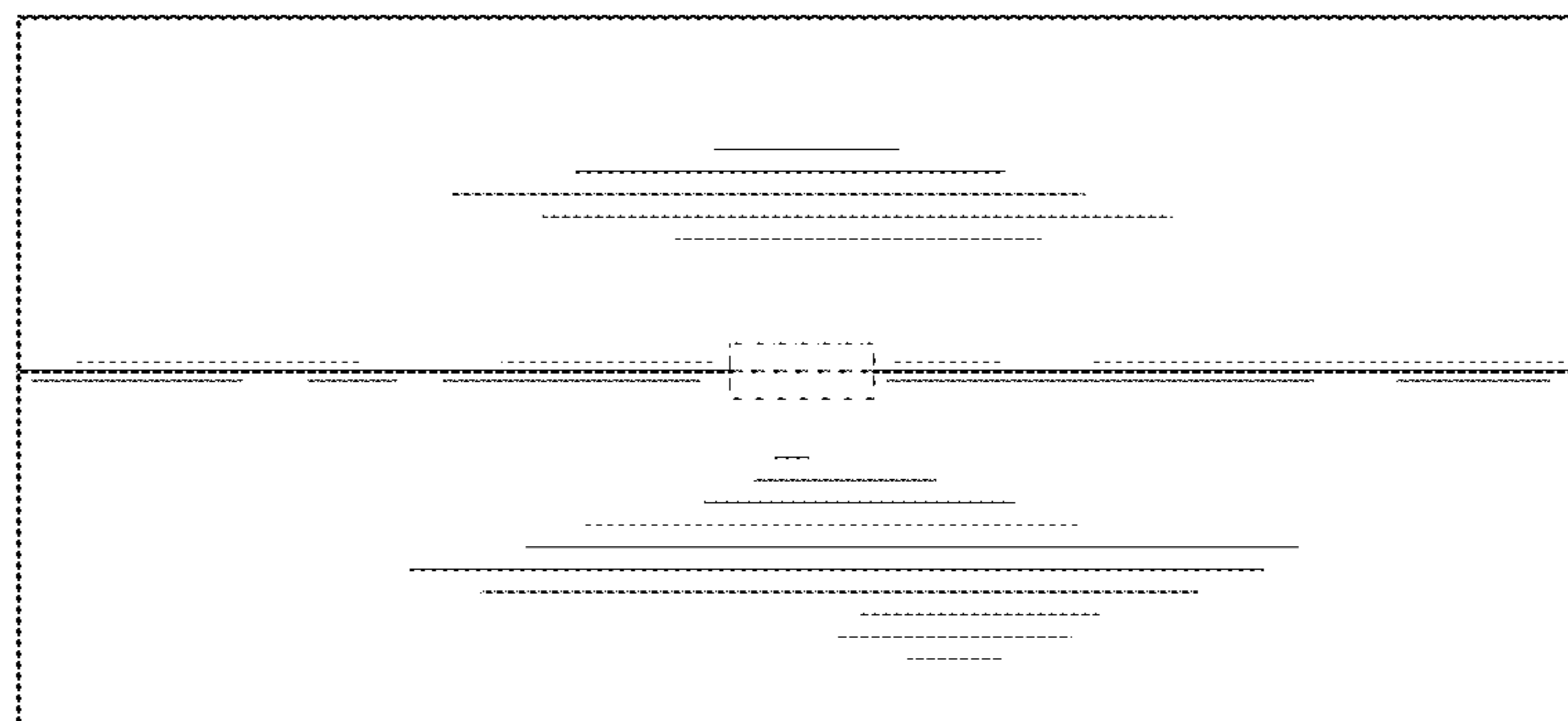


FIG. 5

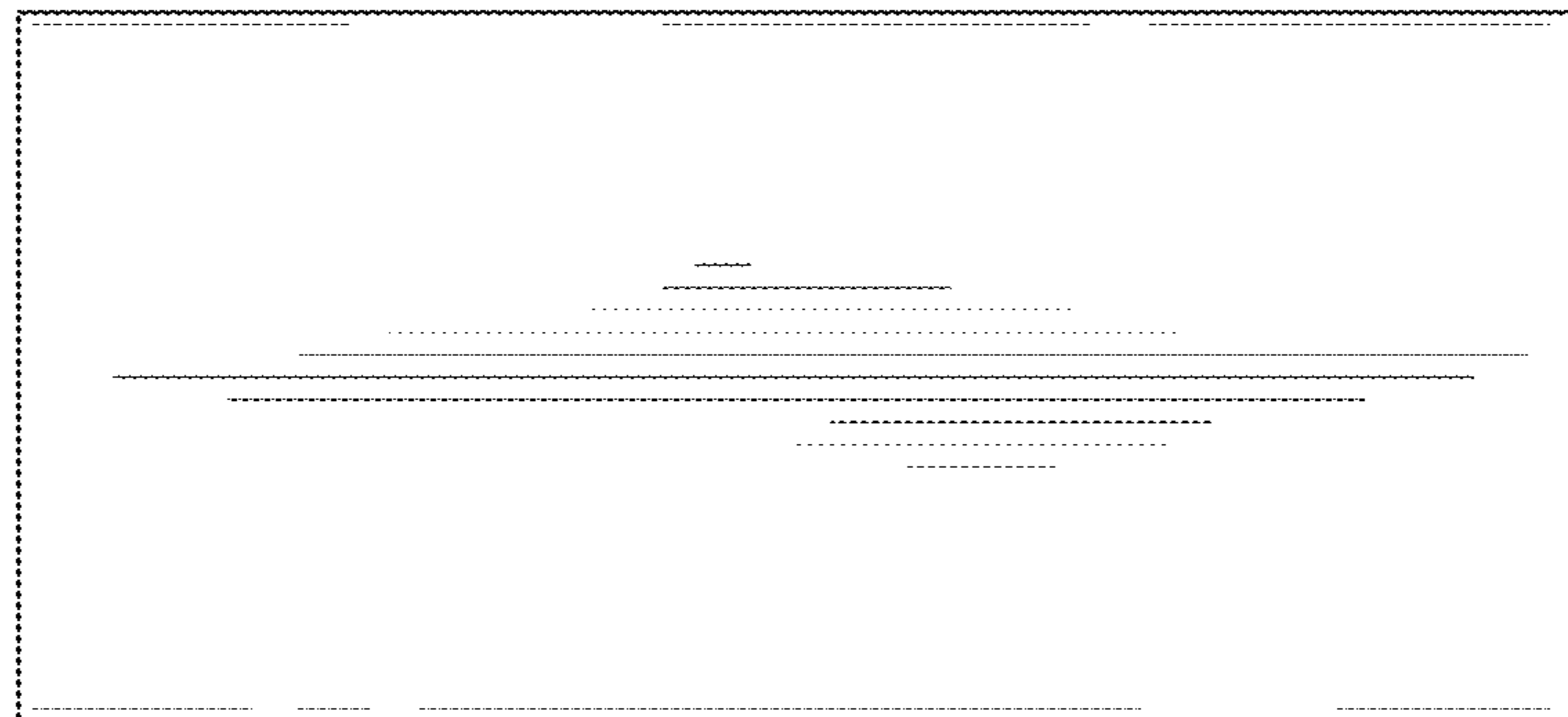


FIG. 6