



US00D671344S

(12) **United States Design Patent**
Sadler

(10) **Patent No.:** **US D671,344 S**

(45) **Date of Patent:** **** Nov. 27, 2012**

(54) **SPECIAL COUPLINGS OF FRONT PANELS
HAVING EMBEDDED HANDLES,
PARTICULARLY FOR KITCHEN
FURNITURE**

Primary Examiner — Zenia Bennett

(74) *Attorney, Agent, or Firm — William J. Sapone;
Coleman Sudol Sapone P.C.*

(75) Inventor: **Marc Sadler**, Milan (IT)

(73) Assignee: **Ernestomeda S.p.A.**, Montelabbate
(PU) (IT)

(**) Term: **14 Years**

(21) Appl. No.: **29/368,029**

(22) Filed: **Aug. 17, 2010**

(30) **Foreign Application Priority Data**

Feb. 19, 2010 (IT) BO2010O0007
Apr. 13, 2010 (IT) BO2010O0019

(51) **LOC (9) Cl.** **06-06**

(52) **U.S. Cl.** **D6/510**

(58) **Field of Classification Search** D6/396,
D6/397, 432-448, 492, 494, 509, 510, 511,
D6/552, 559, 561; 312/109, 199, 204, 330.1,
312/348.4; D3/307, 319; D14/444; D32/25
See application file for complete search history.

(56) **References Cited**

U.S. PATENT DOCUMENTS

D431,934 S *	10/2000	Chininis	D6/446
D488,015 S *	4/2004	Brandon	D6/510
D492,516 S *	7/2004	Nemec et al.	D6/492
D554,399 S *	11/2007	Kim	D6/509
D569,134 S *	5/2008	Puksta	D6/492
D572,055 S *	7/2008	Huang	D6/510
D572,672 S *	7/2008	Adducci et al.	D13/184
D572,954 S *	7/2008	Huang	D6/510
D613,100 S *	4/2010	Chancey	D6/510
D613,973 S *	4/2010	Holcomb	D6/494

* cited by examiner

(57) **CLAIM**

I claim the ornamental design for special couplings of front panels having embedded handles, particularly for kitchen furniture, as shown and described.

DESCRIPTION

FIG. 1 is a front view showing a coupling of two adjacent front panels in a closed condition;
FIG. 2 is a back view thereof;
FIG. 3 is a side view thereof;
FIG. 4 is an opposite side view thereof;
FIG. 5 is a bottom view thereof;
FIG. 6 is a top view thereof;
FIG. 7 is a longitudinal section view thereof;
FIG. 8 is a transversal section view thereof;
FIG. 9 is a perspective view thereof;
FIG. 10 is a perspective view of the panels of FIG. 1 in a partially opened condition;
FIG. 11 is a front view of another embodiment showing a coupling of two adjacent front panels in a closed condition;
FIG. 12 is a back view thereof;
FIG. 13 is a side view thereof;
FIG. 14 is an opposite side view thereof;
FIG. 15 is a bottom view thereof;
FIG. 16 is a top views thereof;
FIG. 17 is a longitudinal section view thereof;
FIG. 18 is a transversal section view thereof;
FIG. 19 is a perspective view of the panels of FIG. 11; and,
FIG. 20 is a perspective view of the panels of FIG. 11 in a partially opened condition.

1 Claim, 14 Drawing Sheets

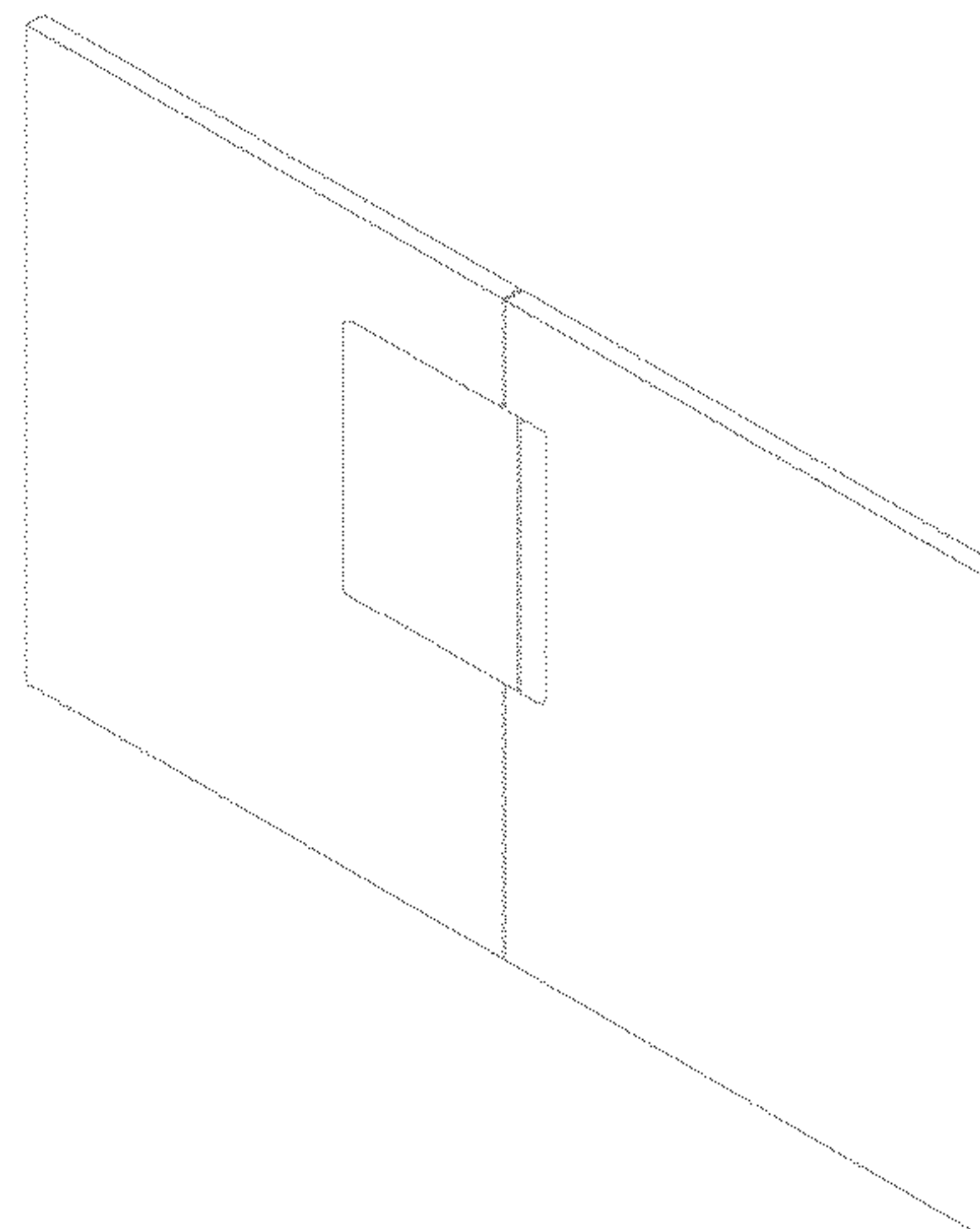
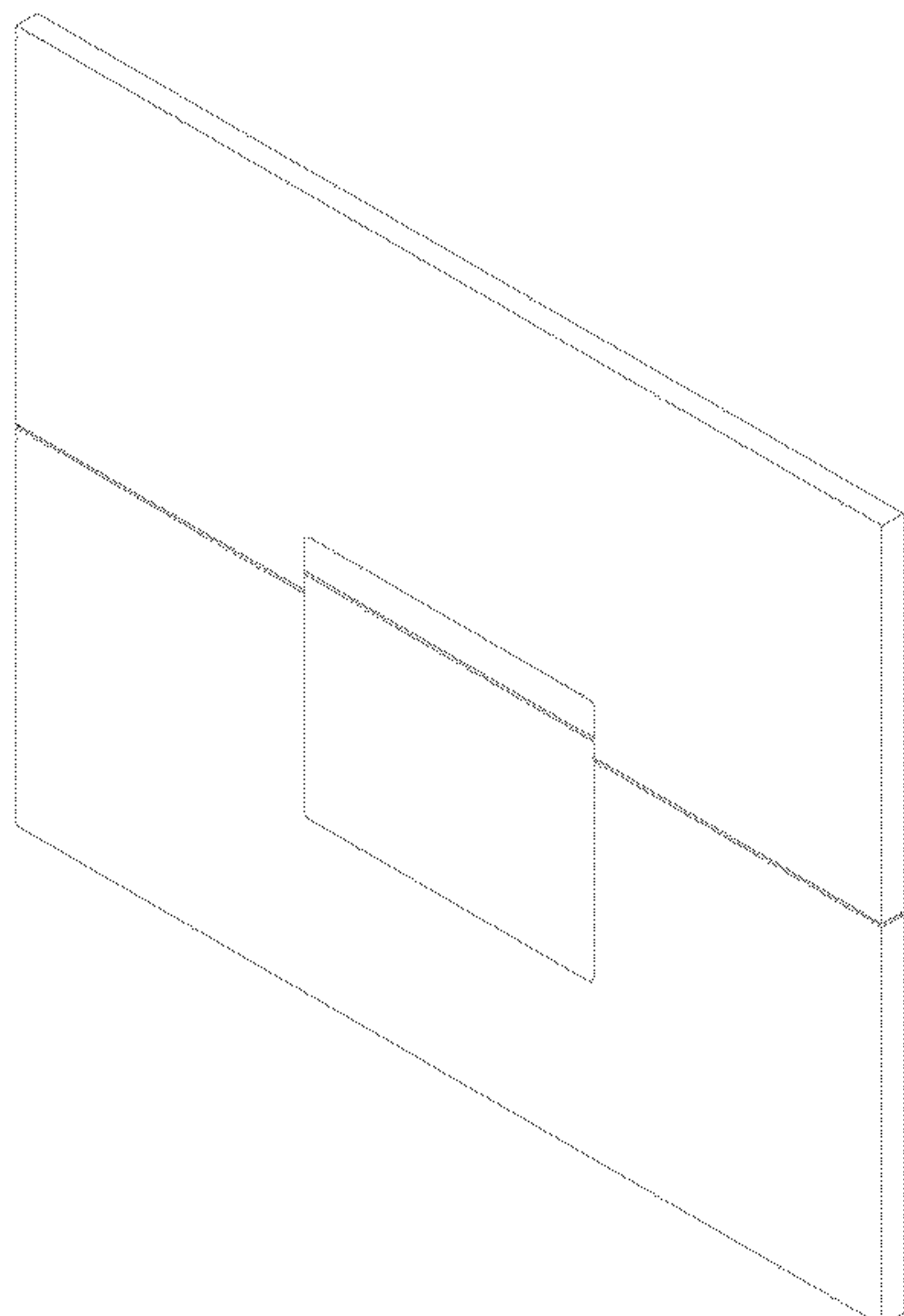


FIG.1

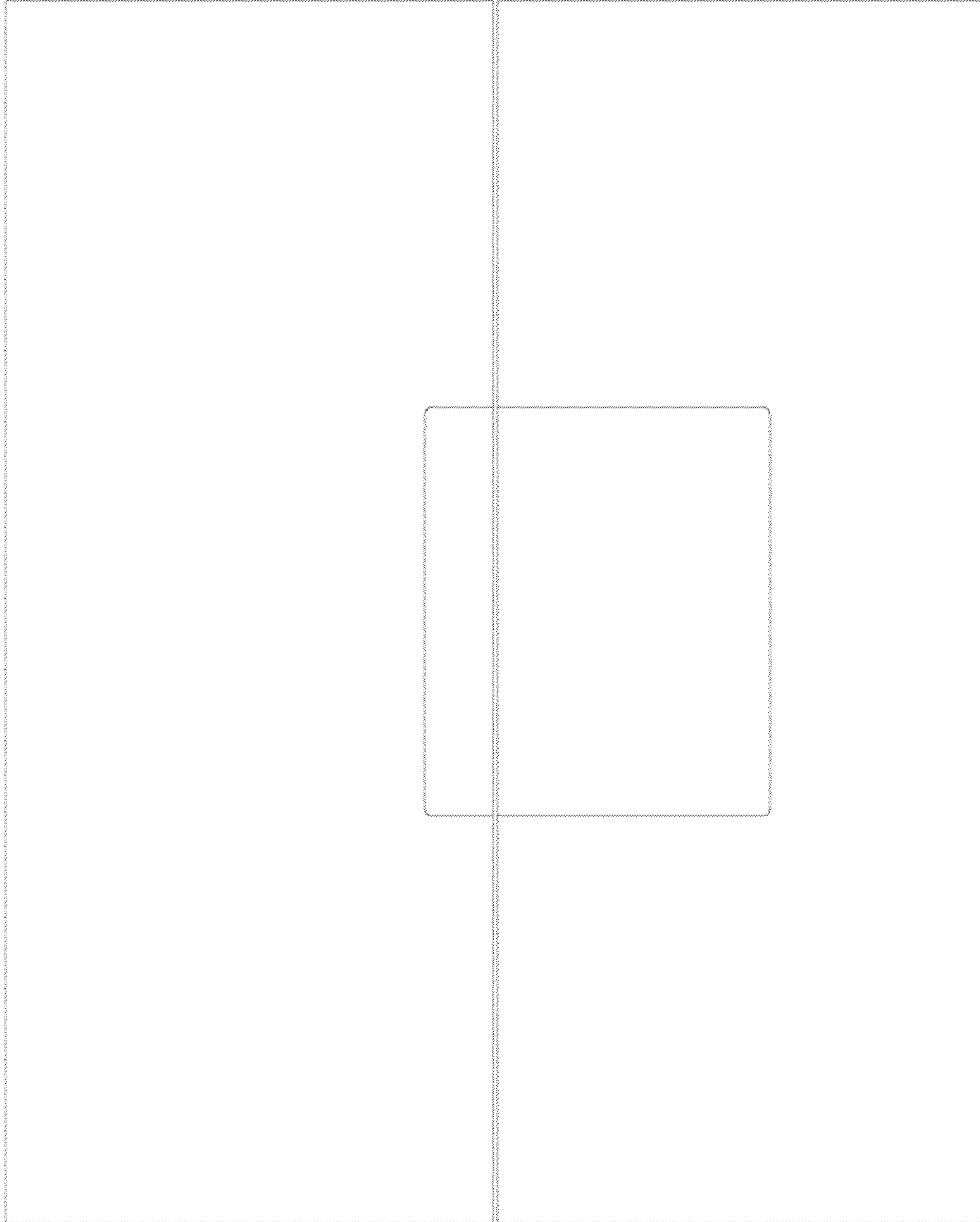


FIG.2

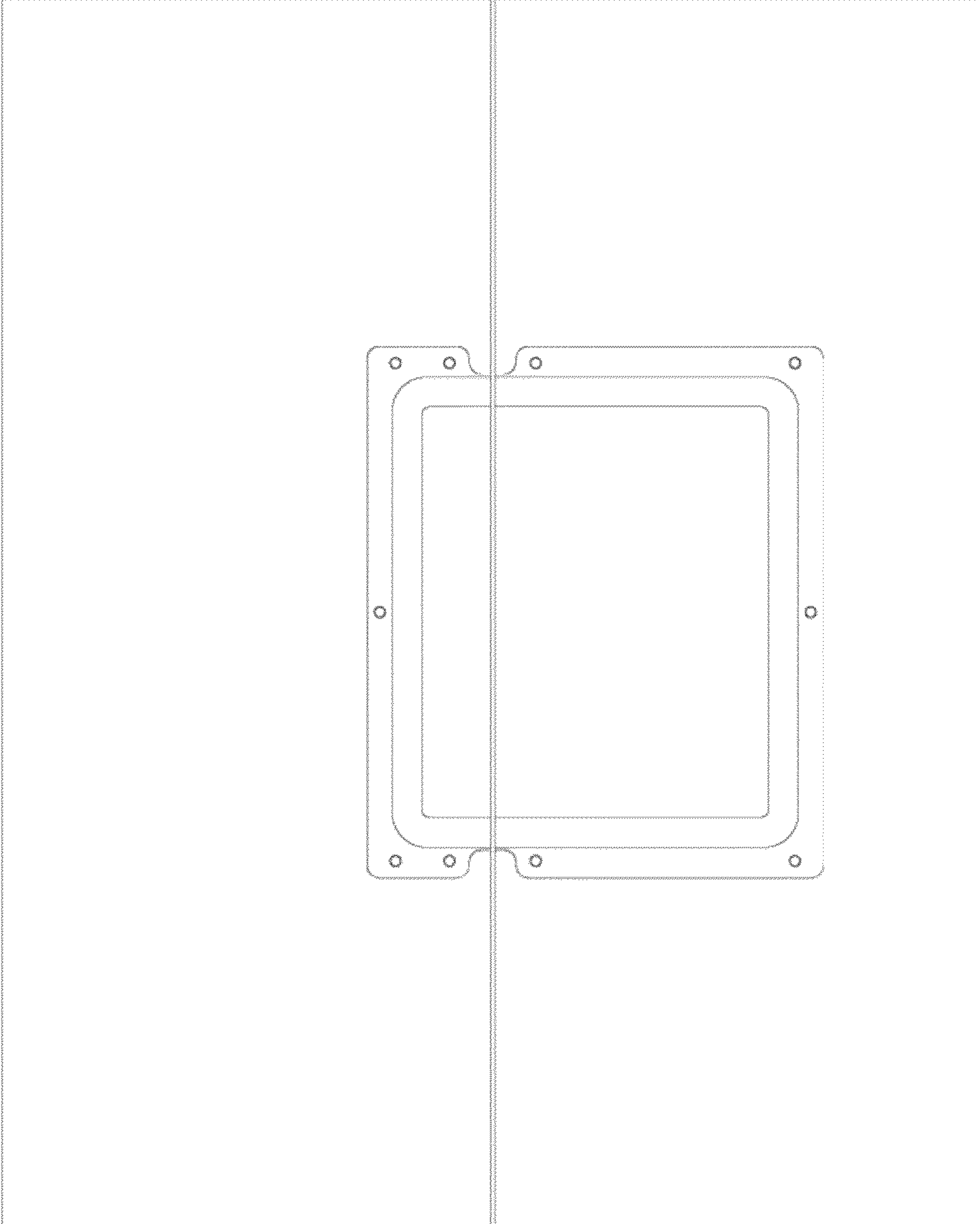


FIG. 3



FIG. 4

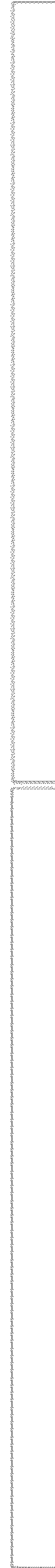


FIG.5



FIG.6





FIG. 7



FIG. 8

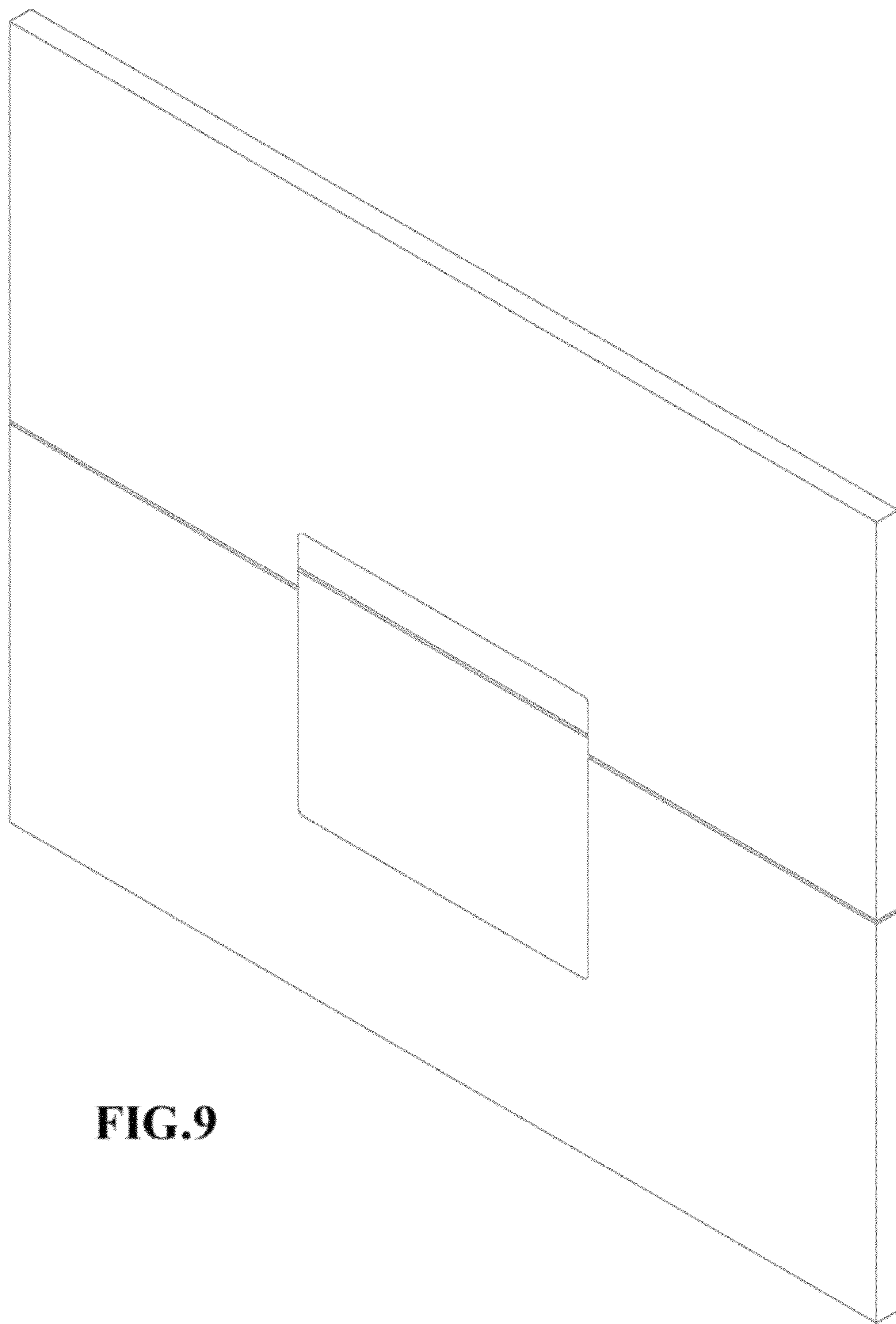


FIG.9

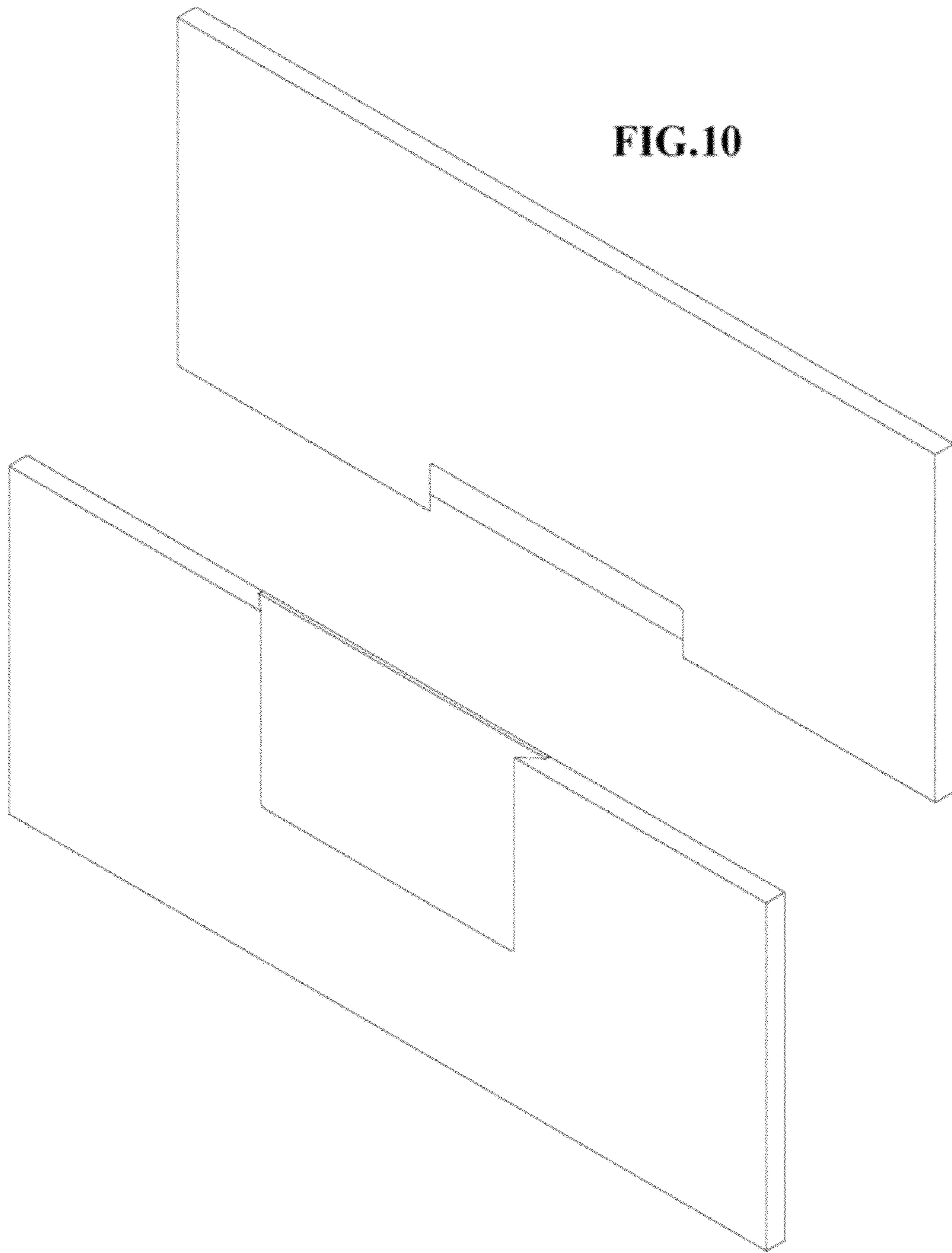


Fig. 11

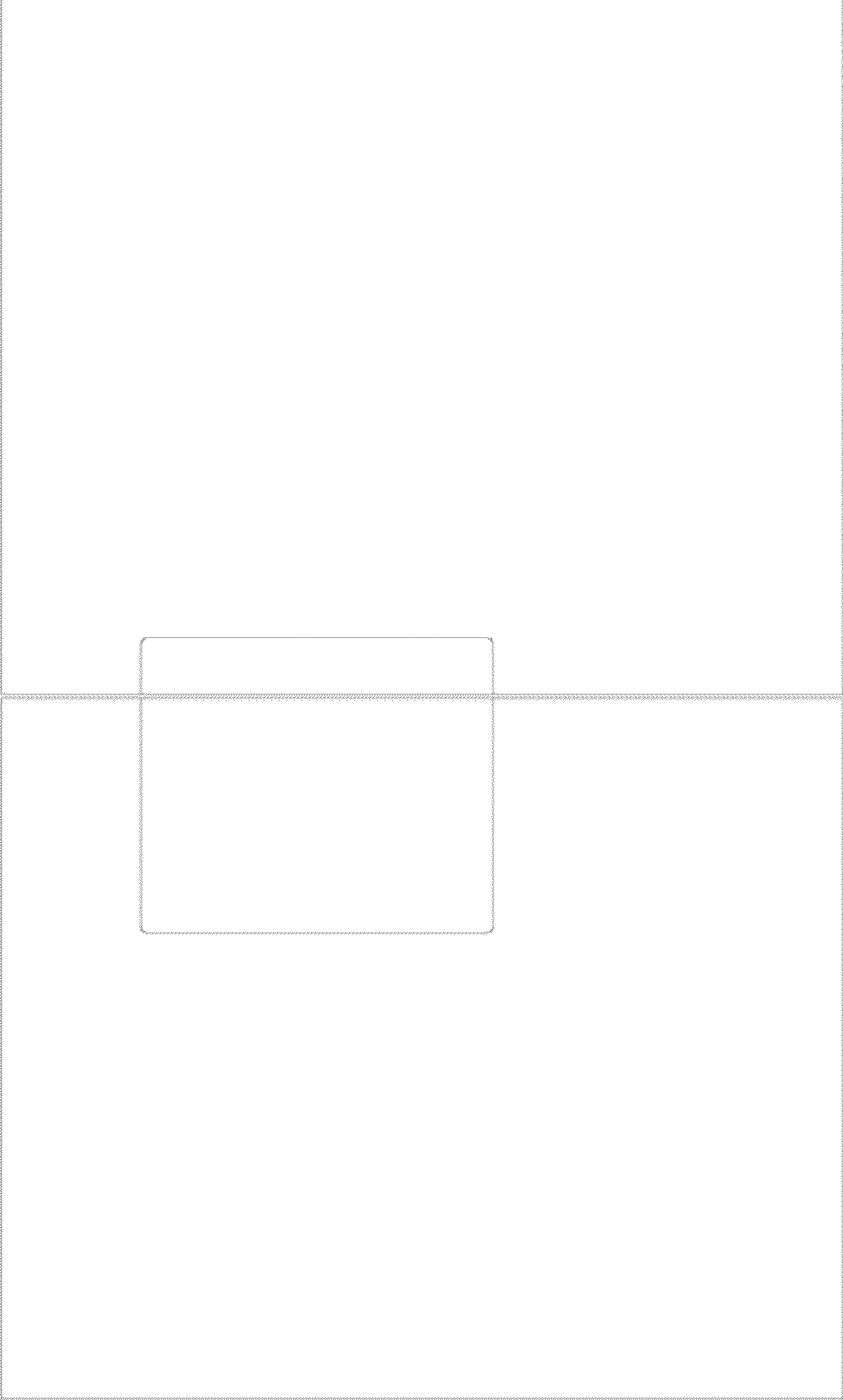


Fig. 12

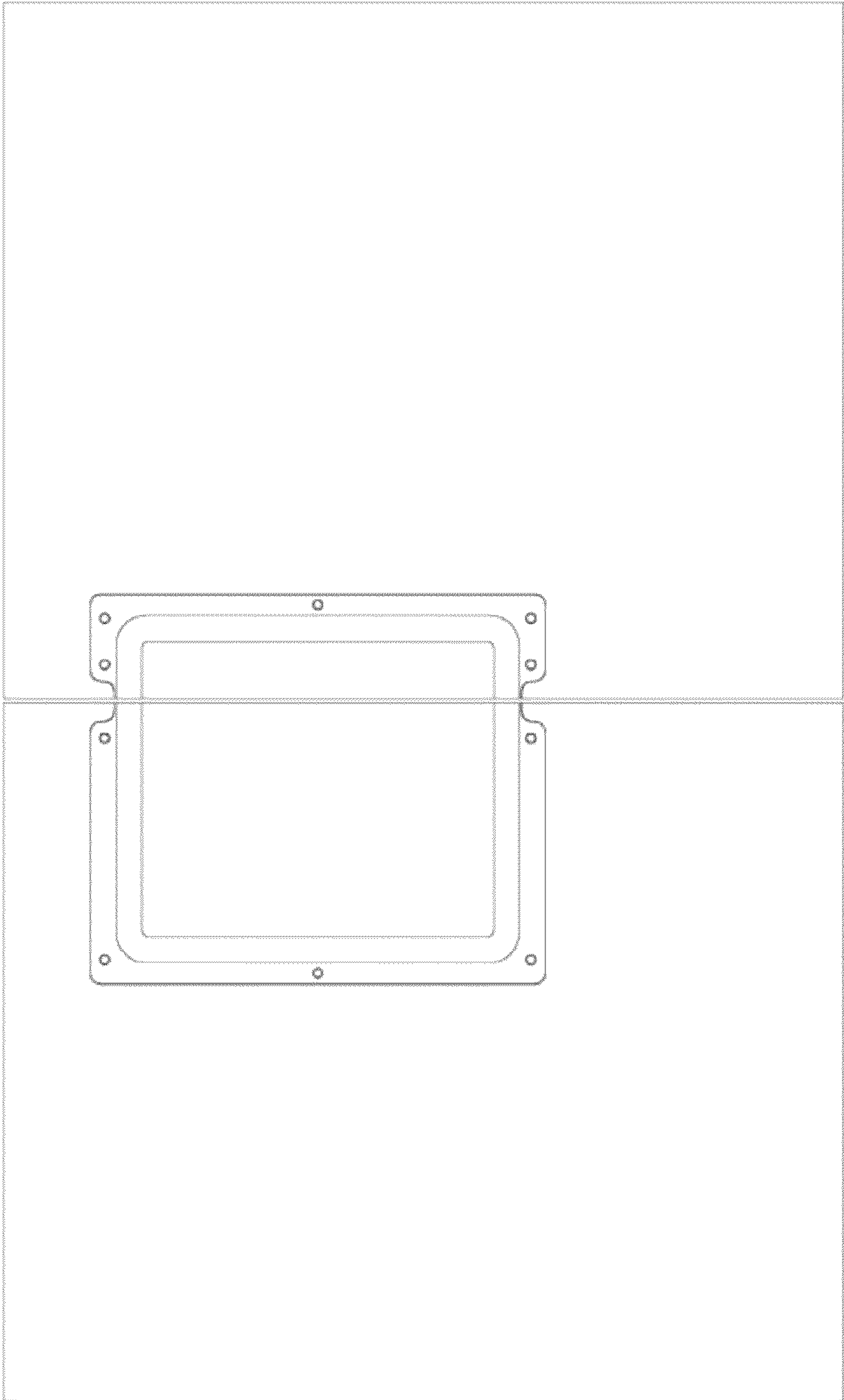


Fig. 13



Fig. 14



Fig. 15



Fig. 16



Fig. 17



Fig. 18



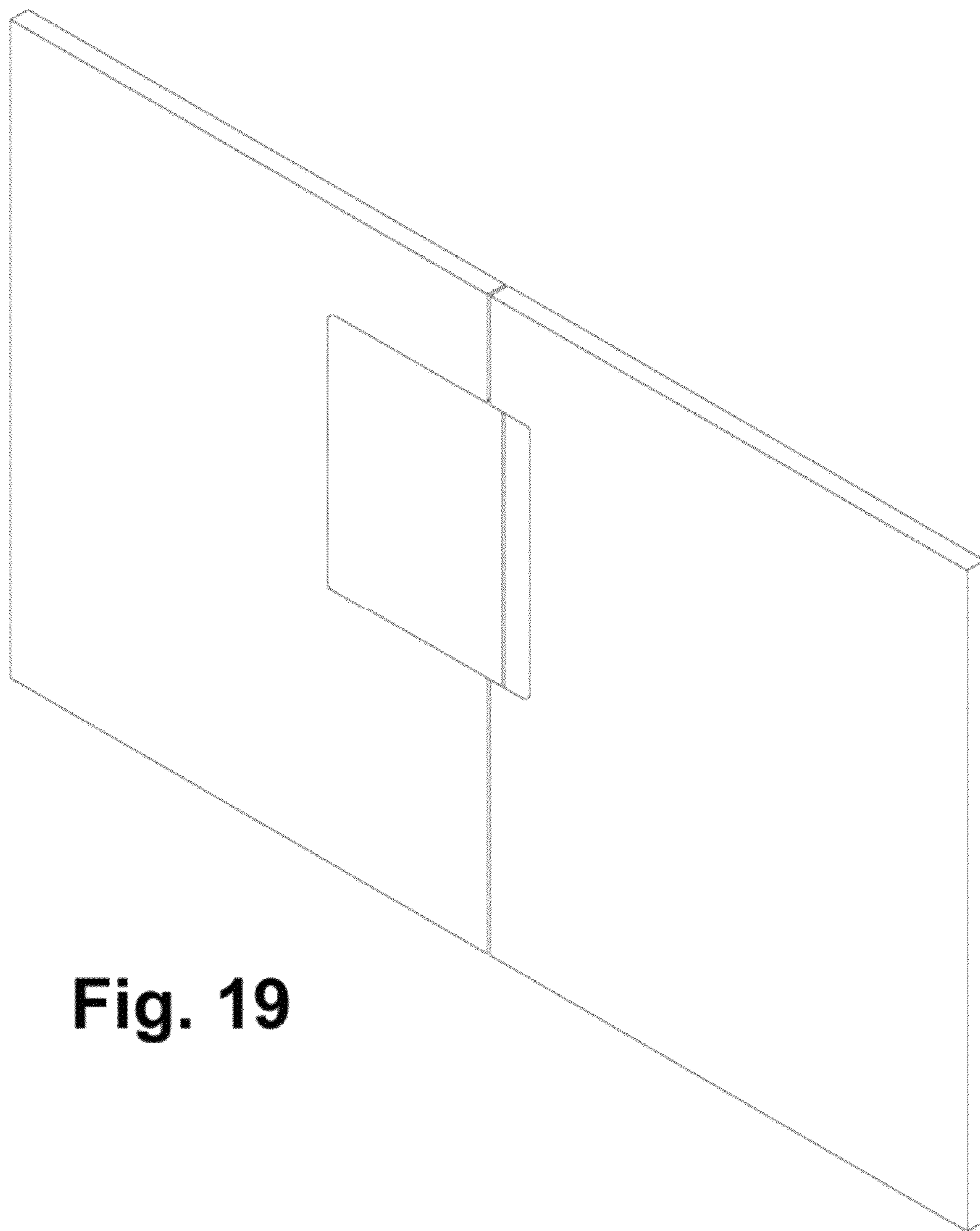


Fig. 19

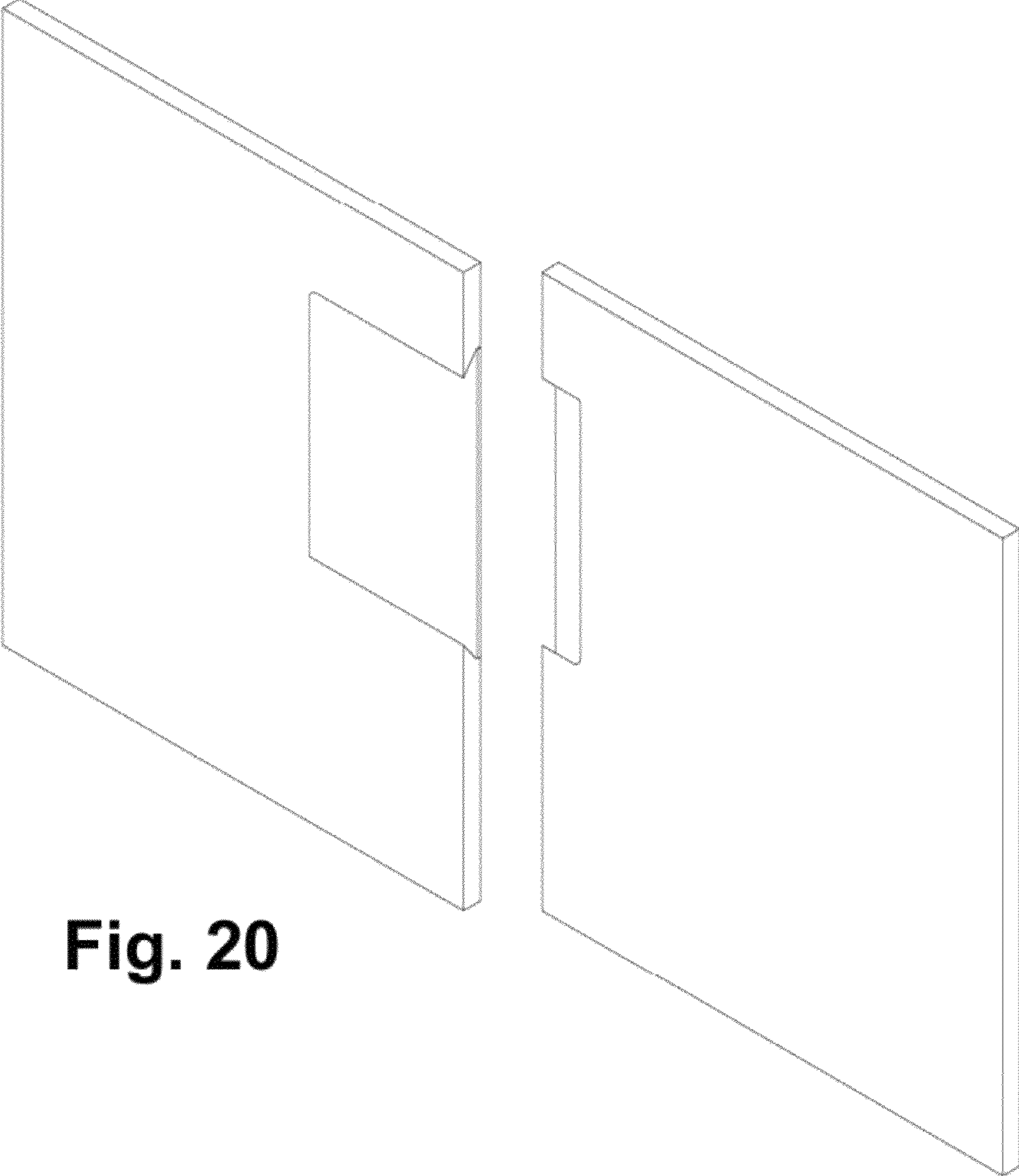


Fig. 20