



US00D671343S

(12) **United States Design Patent**
Hurford

(10) **Patent No.:** **US D671,343 S**

(45) **Date of Patent:** **** Nov. 27, 2012**

(54) **CHAIR**

(75) Inventor: **Alexander Hurford**, Kanagawa (JP)

(73) Assignee: **Okamura Corporation**, Kanagawa (JP)

(**) Term: **14 Years**

(21) Appl. No.: **29/419,147**

(22) Filed: **Apr. 25, 2012**

(30) **Foreign Application Priority Data**

Nov. 4, 2011 (JP) 2011-025526

(51) **LOC (9) Cl.** **06-01**

(52) **U.S. Cl.** **D6/500**

(58) **Field of Classification Search** D6/334-336,
D6/364, 365, 366, 367, 374, 379, 380, 491,
D6/500-502; 297/300.1, 300.2, 300.5, 300.8,
297/301.1, 301.2, 301.3, 301.4, 301.7, 303.3,
297/303.4, 303.5, 344.18, 344.21, 344.22,
297/463.1; 248/161, 578

See application file for complete search history.

(56) **References Cited**

U.S. PATENT DOCUMENTS

D450,957 S *	11/2001	Asbjørnsen	D6/500
D473,737 S *	4/2003	Klaesener et al.	D6/500
7,147,285 B2 *	12/2006	Lin	297/301.1
D550,991 S *	9/2007	Donati	D6/500
D578,326 S *	10/2008	Donati	D6/500
D579,241 S *	10/2008	Breen	D6/500
D599,586 S *	9/2009	Moreschi	D6/500
7,946,651 B2 *	5/2011	Donati	297/301.1
D647,733 S *	11/2011	Donati	D6/500
D647,734 S *	11/2011	Donati	D6/500
D652,223 S *	1/2012	Fujita	D6/366

D652,646 S *	1/2012	Fujita	D6/366
D653,481 S *	2/2012	Moreschi	D6/500
D654,709 S *	2/2012	Fujita	D6/366

* cited by examiner

Primary Examiner — Mimoso De

(74) *Attorney, Agent, or Firm* — Sughrue Mion, PLLC

(57) **CLAIM**

The ornamental design for a chair, as shown and described.

DESCRIPTION

FIG. 1 is a perspective view from the rear side of a chair in its environment.

FIG. 2 is a perspective view from the front side thereof.

FIG. 3 is a front elevation view thereof.

FIG. 4 is a right side elevation view thereof.

FIG. 5 is a left side elevation view thereof.

FIG. 6 is a top plan view thereof.

FIG. 7 is a rear elevation view thereof.

FIG. 8 is a bottom plan view thereof.

FIG. 9 is a front side perspective view showing the invention without its environment.

FIG. 10 is a perspective view from the rear side of FIG. 9.

FIG. 11 is a front elevation view of FIG. 9.

FIG. 12 is a right side elevation view of FIG. 9.

FIG. 13 is a left side elevation of FIG. 9.

FIG. 14 is a top plan view of FIG. 9.

FIG. 15 is a rear elevation view of FIG. 9; and,

FIG. 16 is a bottom elevation view of FIG. 9.

The portions of the chair shown in broken lines are for the purpose of showing environmental structure only and form no part of the claimed design.

1 Claim, 16 Drawing Sheets

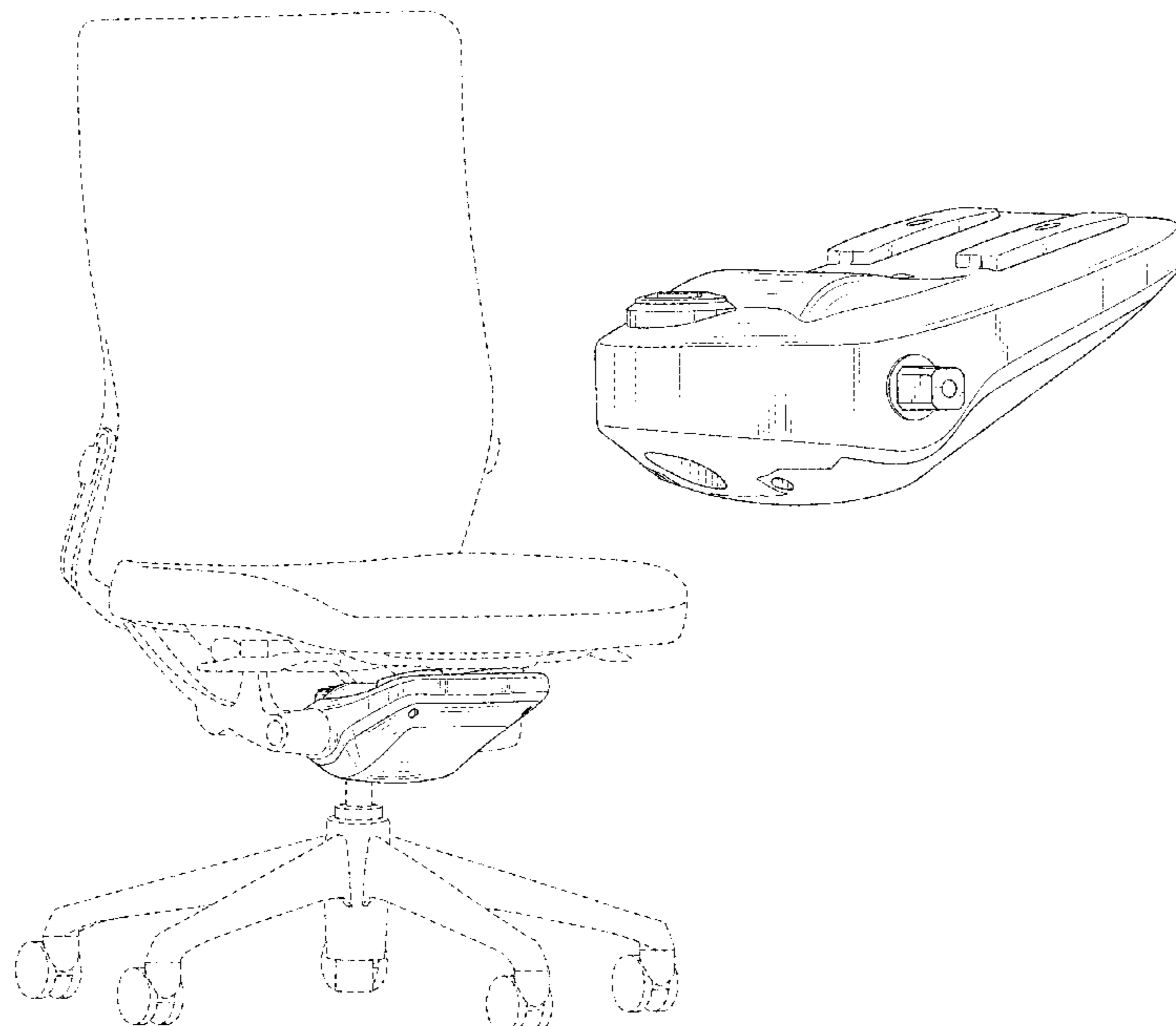


FIG. 1

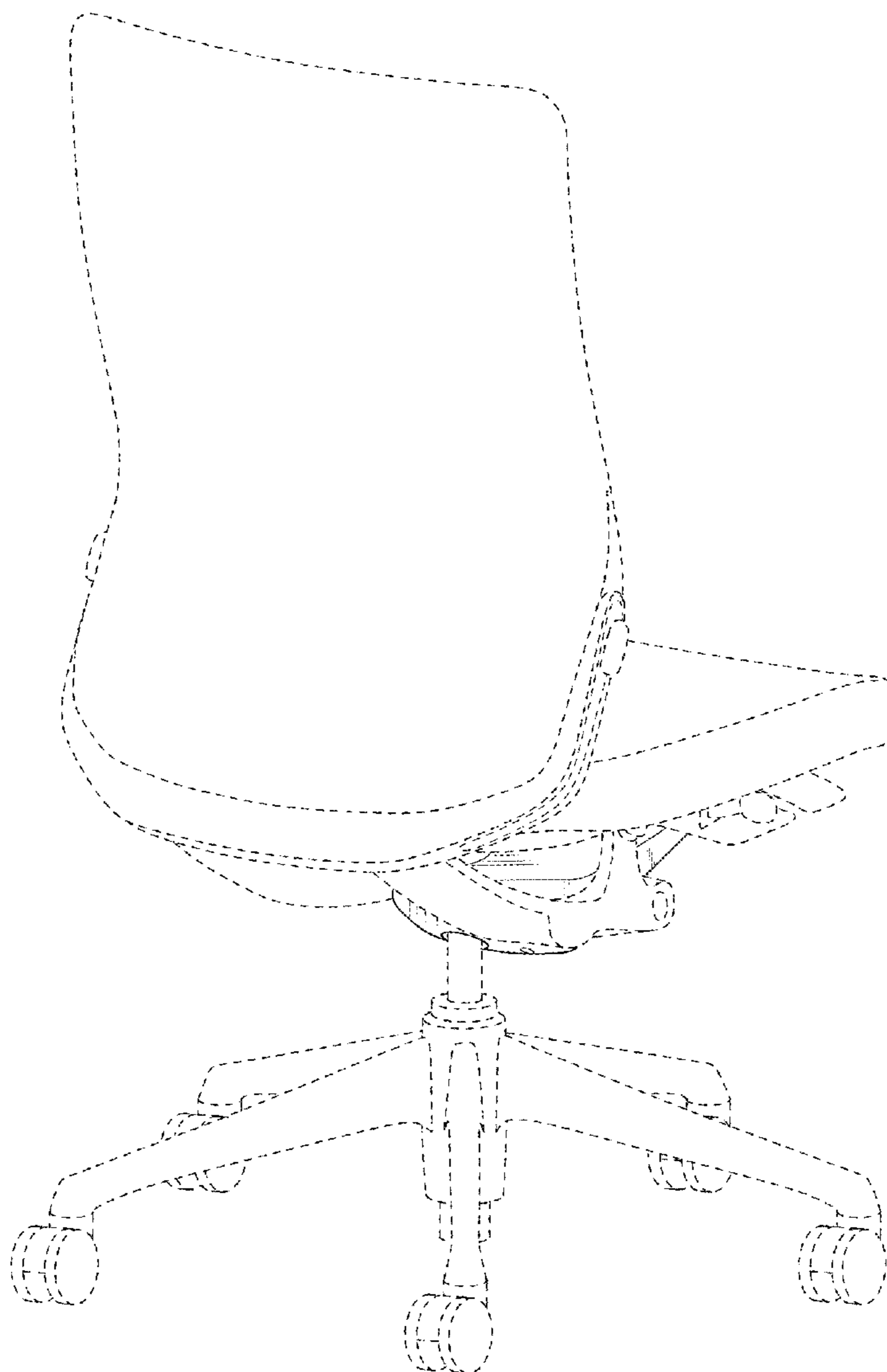


FIG. 2

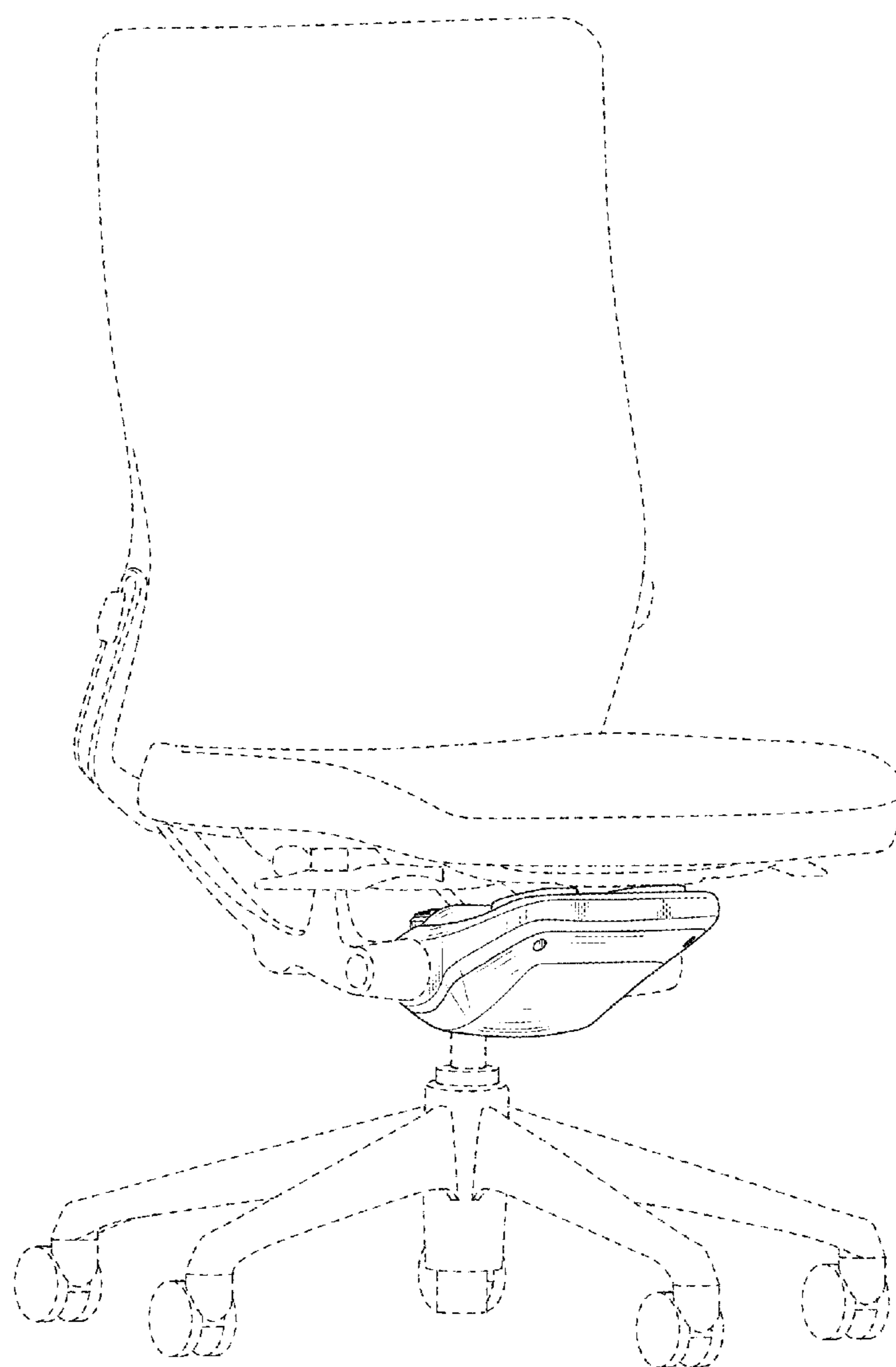


FIG. 3

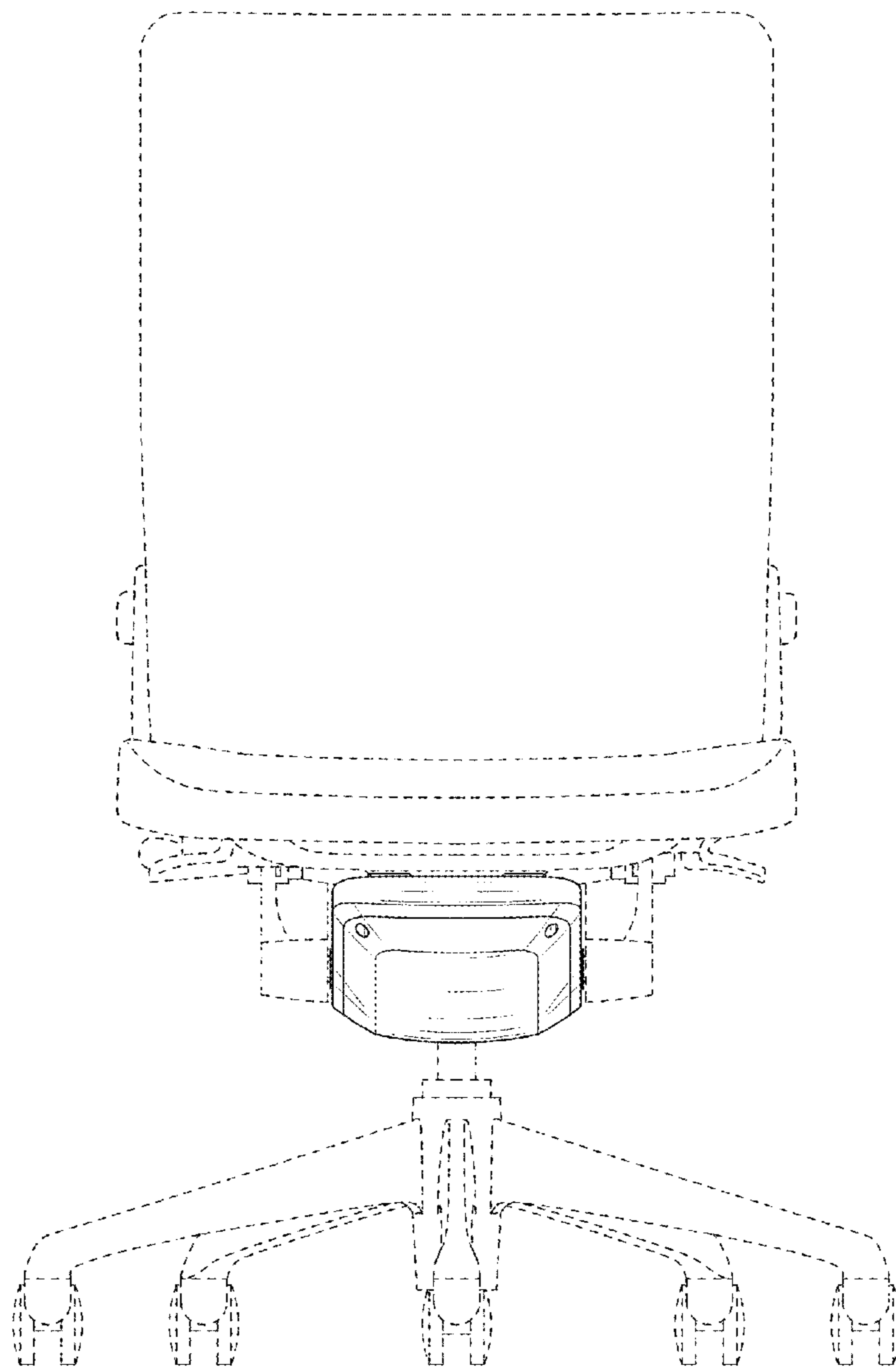


FIG. 4

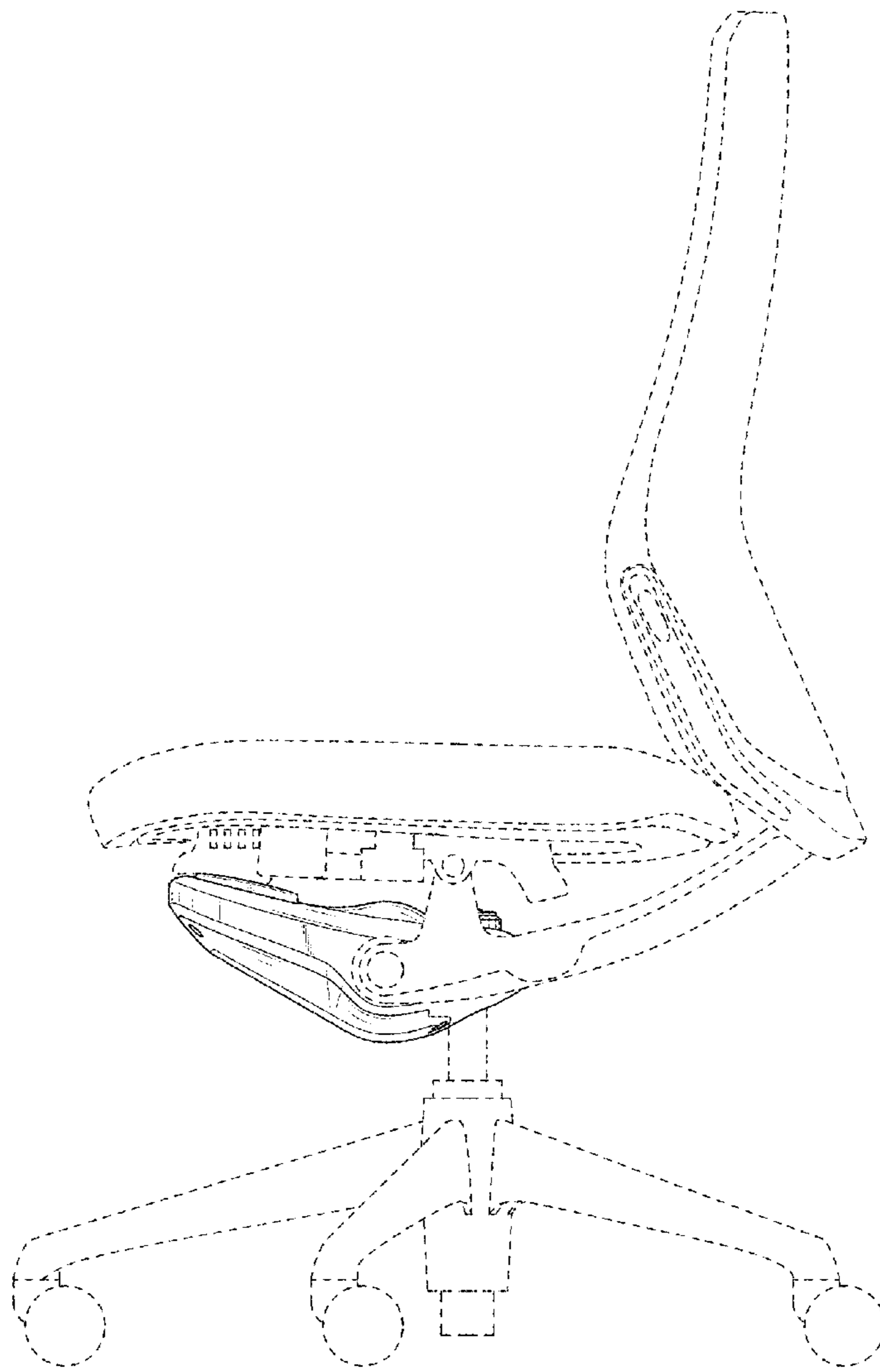


FIG. 5

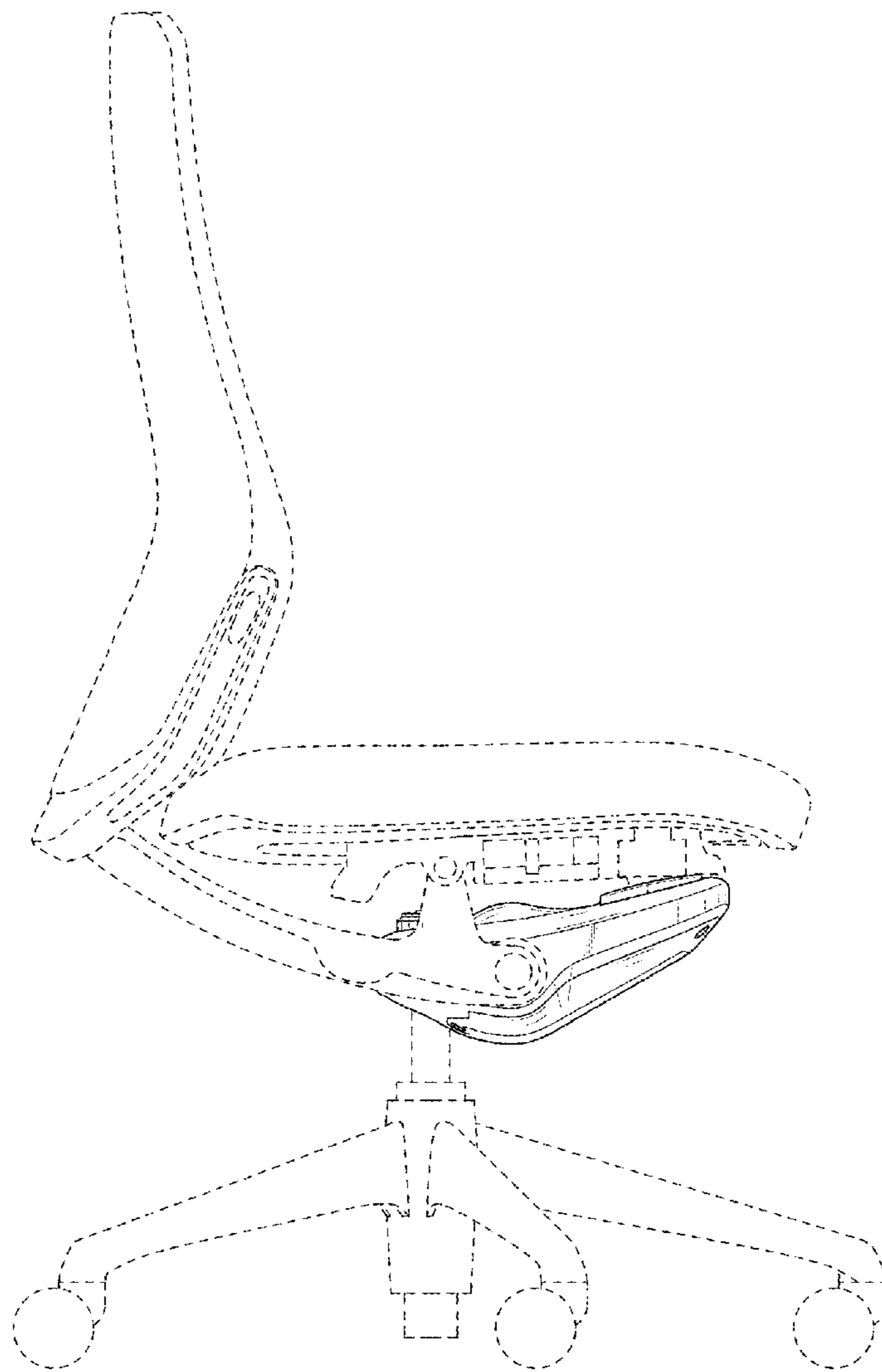


FIG. 6

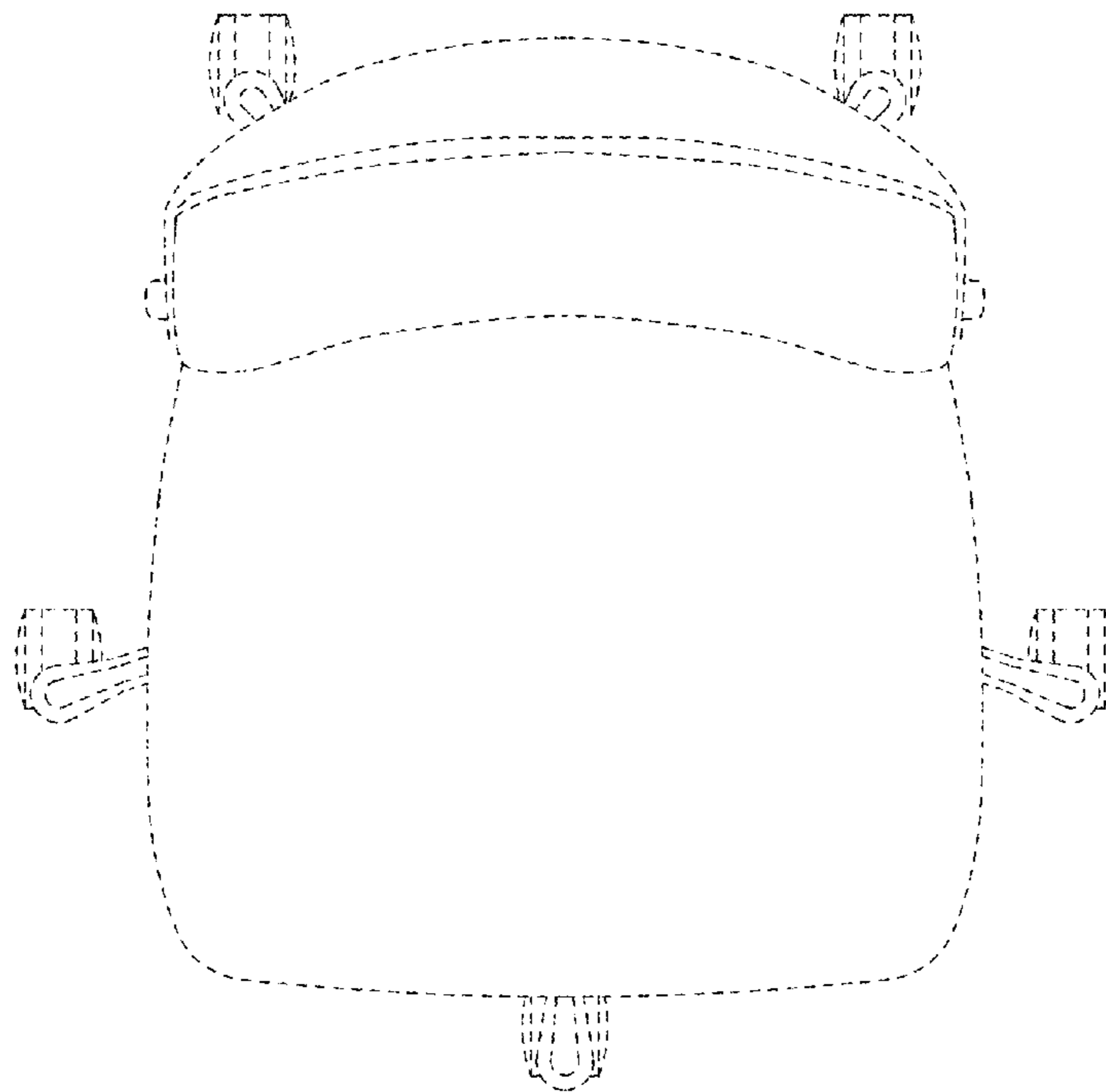


FIG. 7

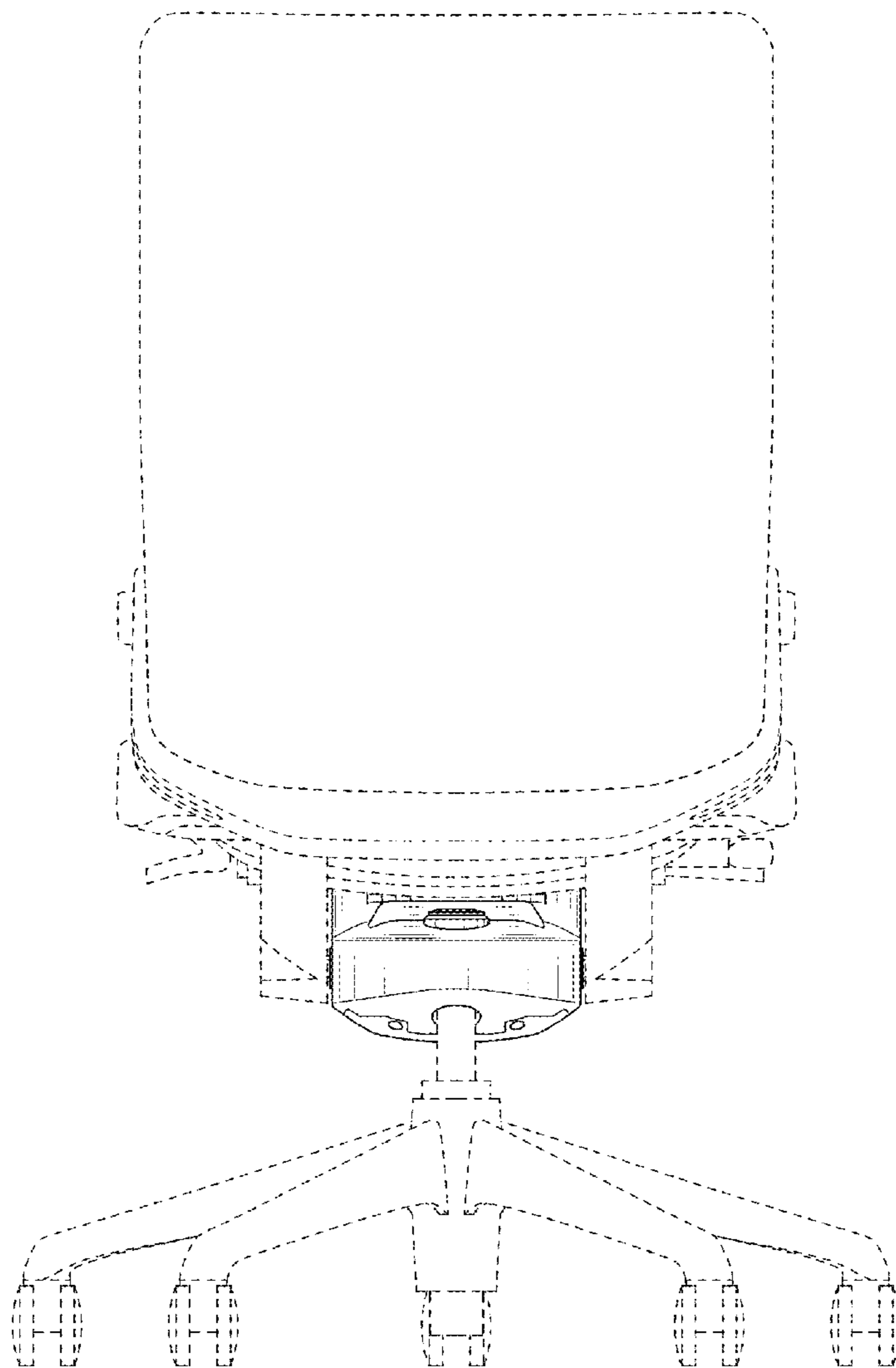


FIG. 8

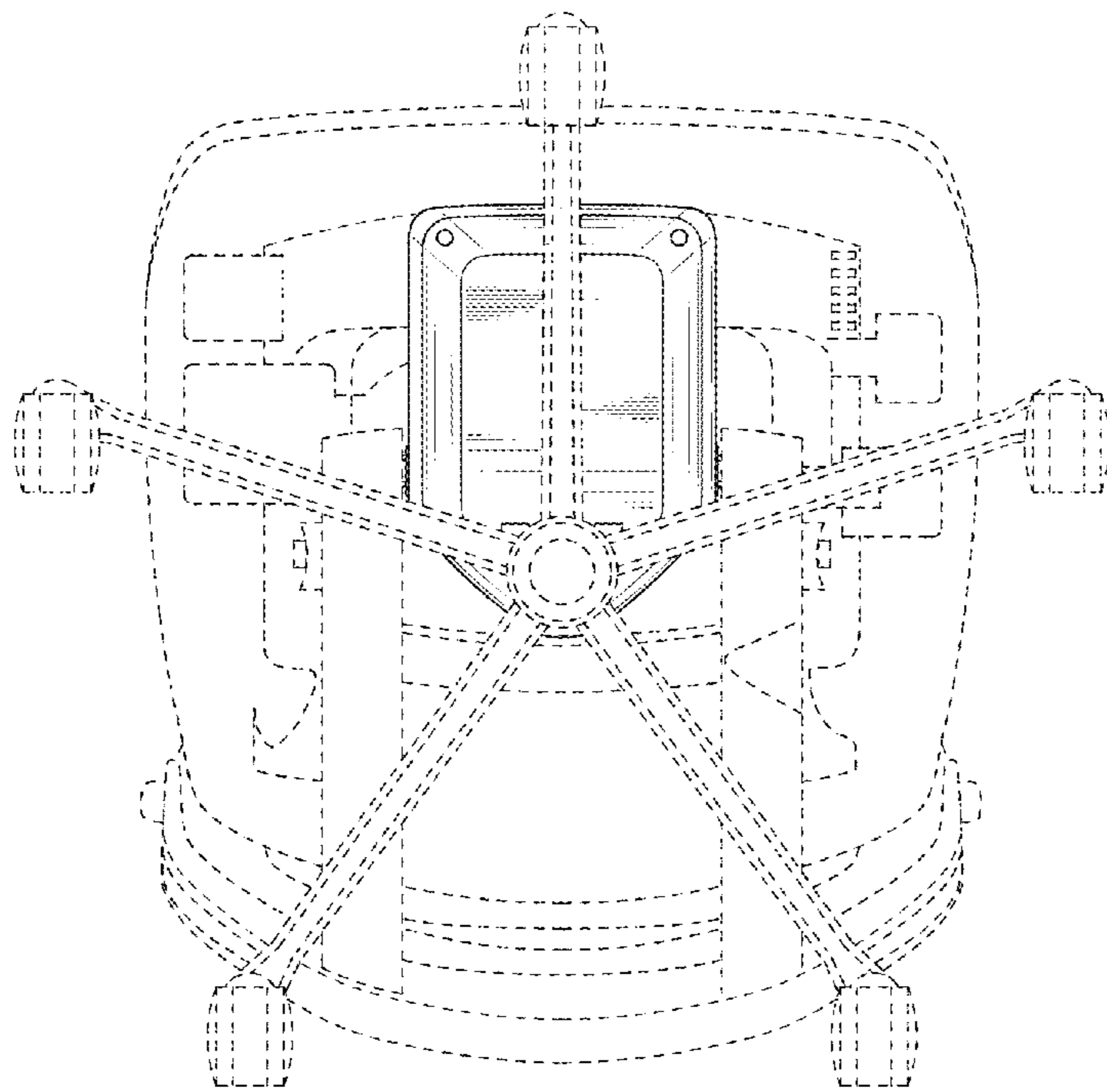


FIG. 9

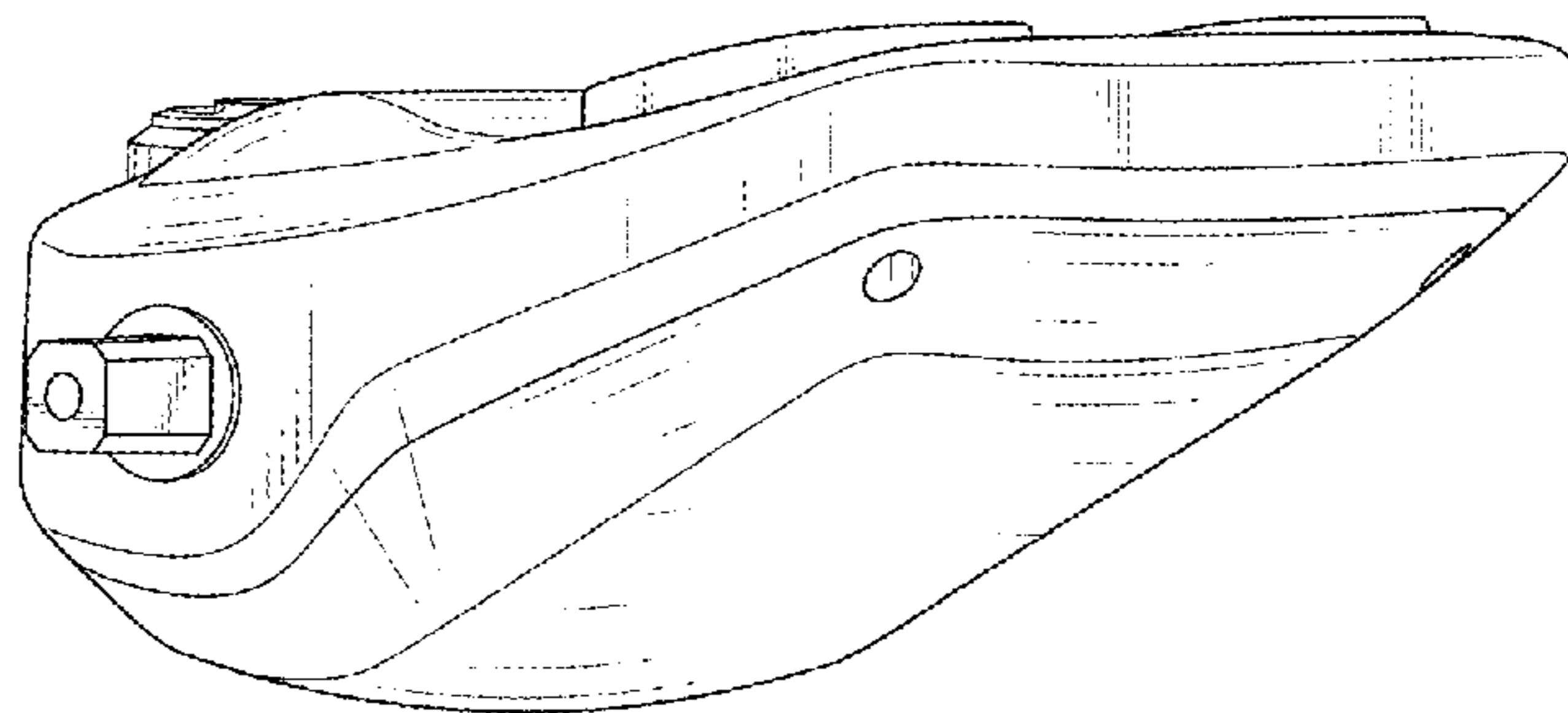


FIG. 10

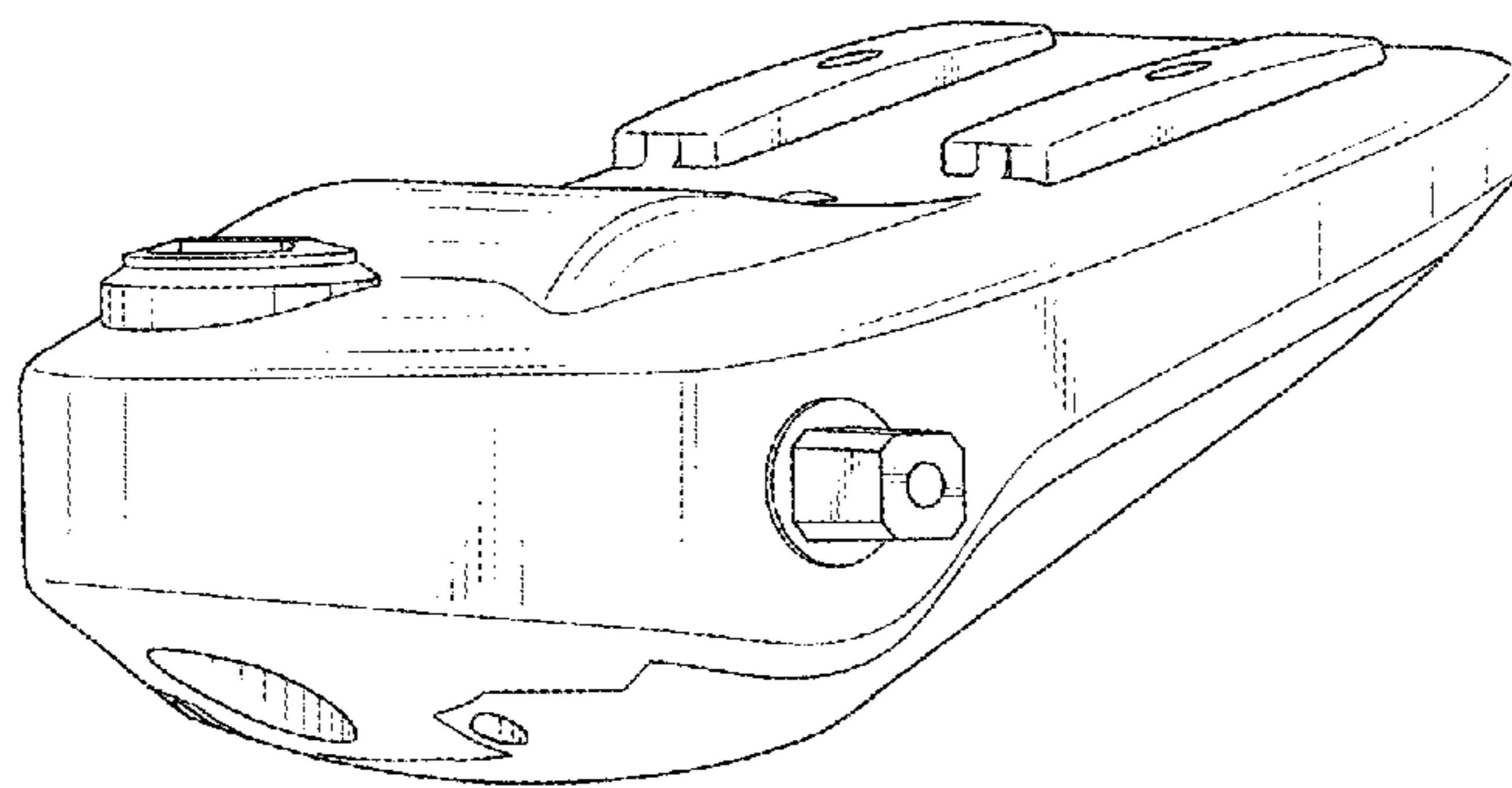


FIG. 11

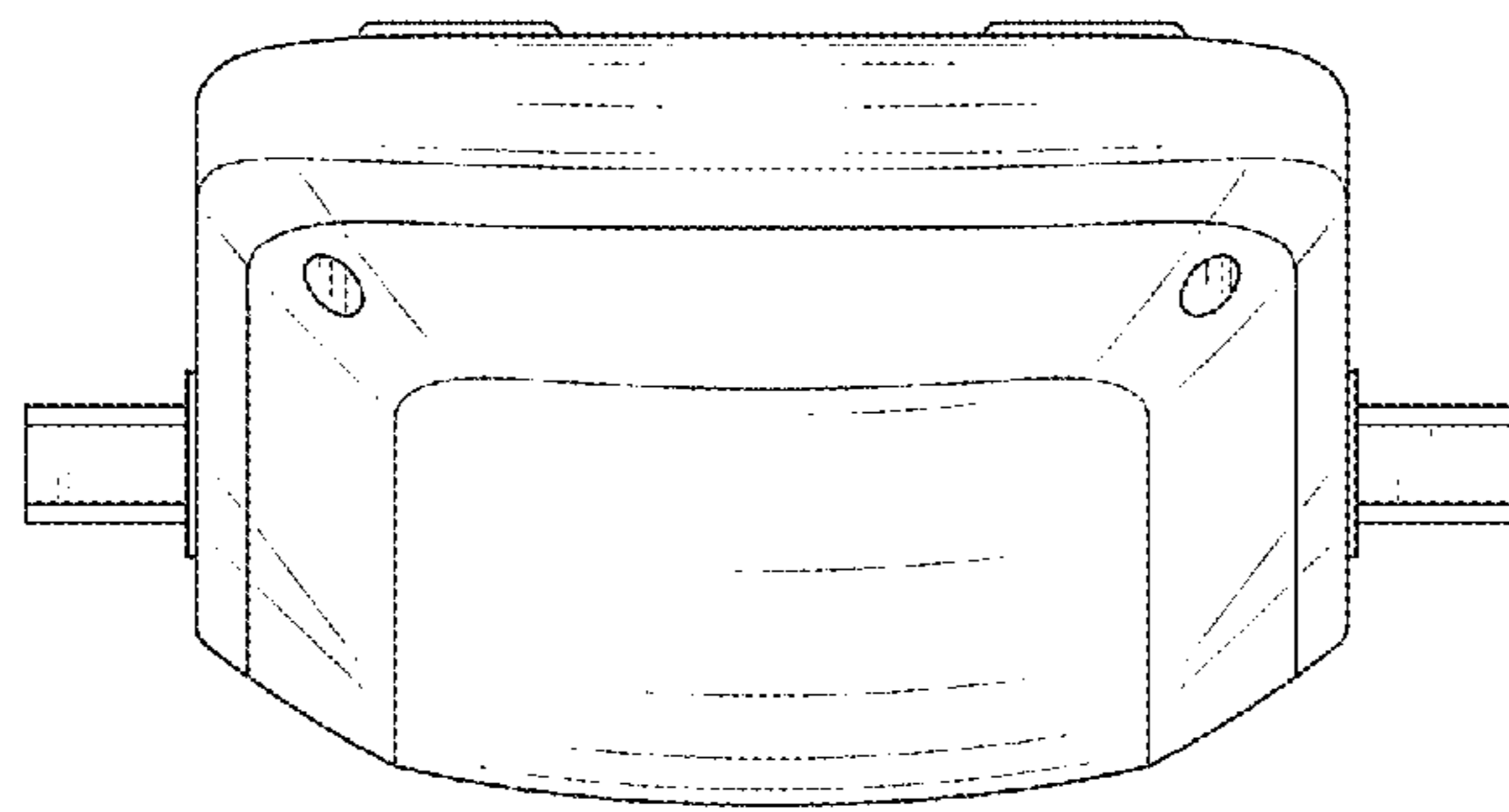


FIG. 12

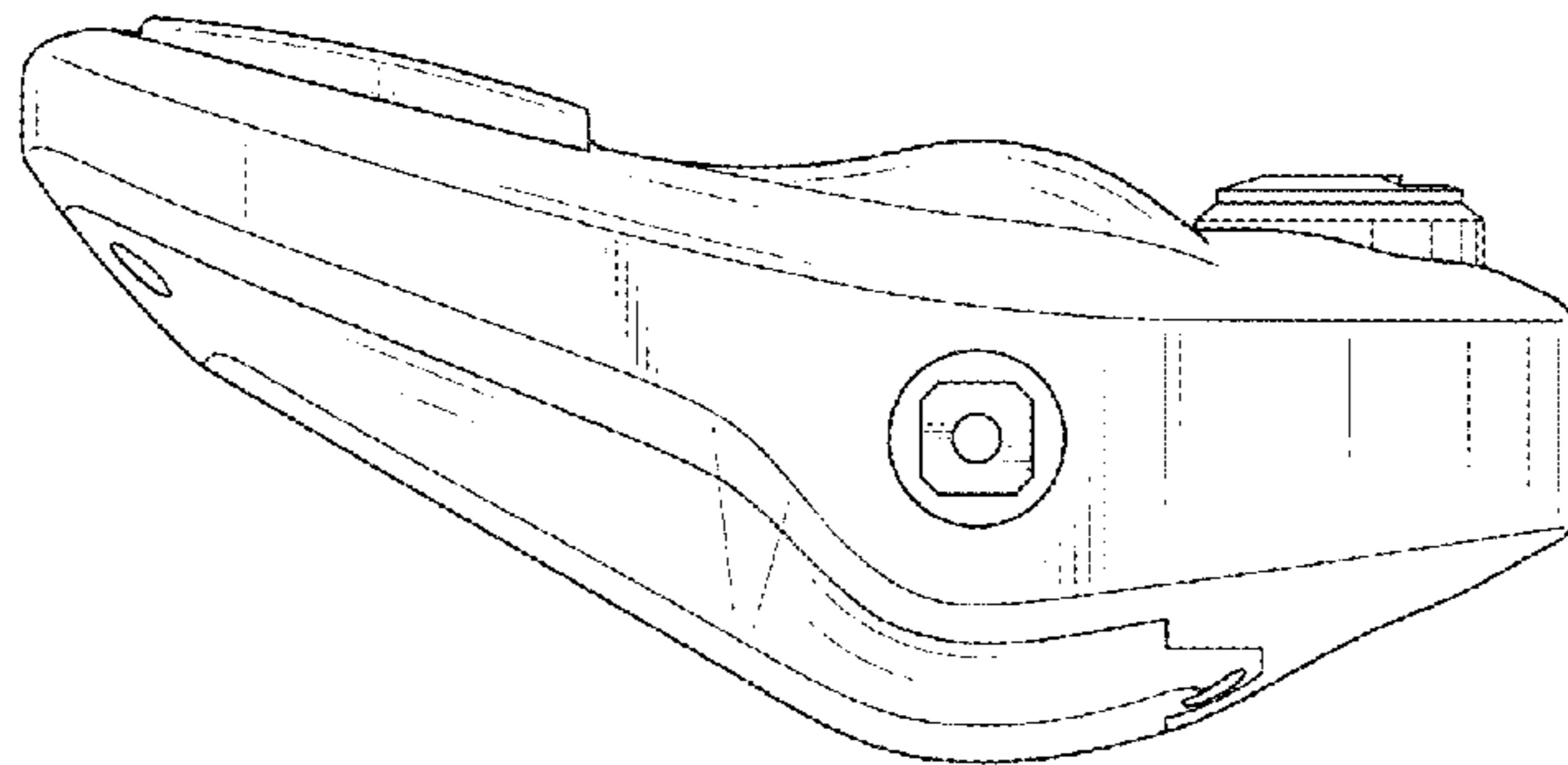


FIG. 13

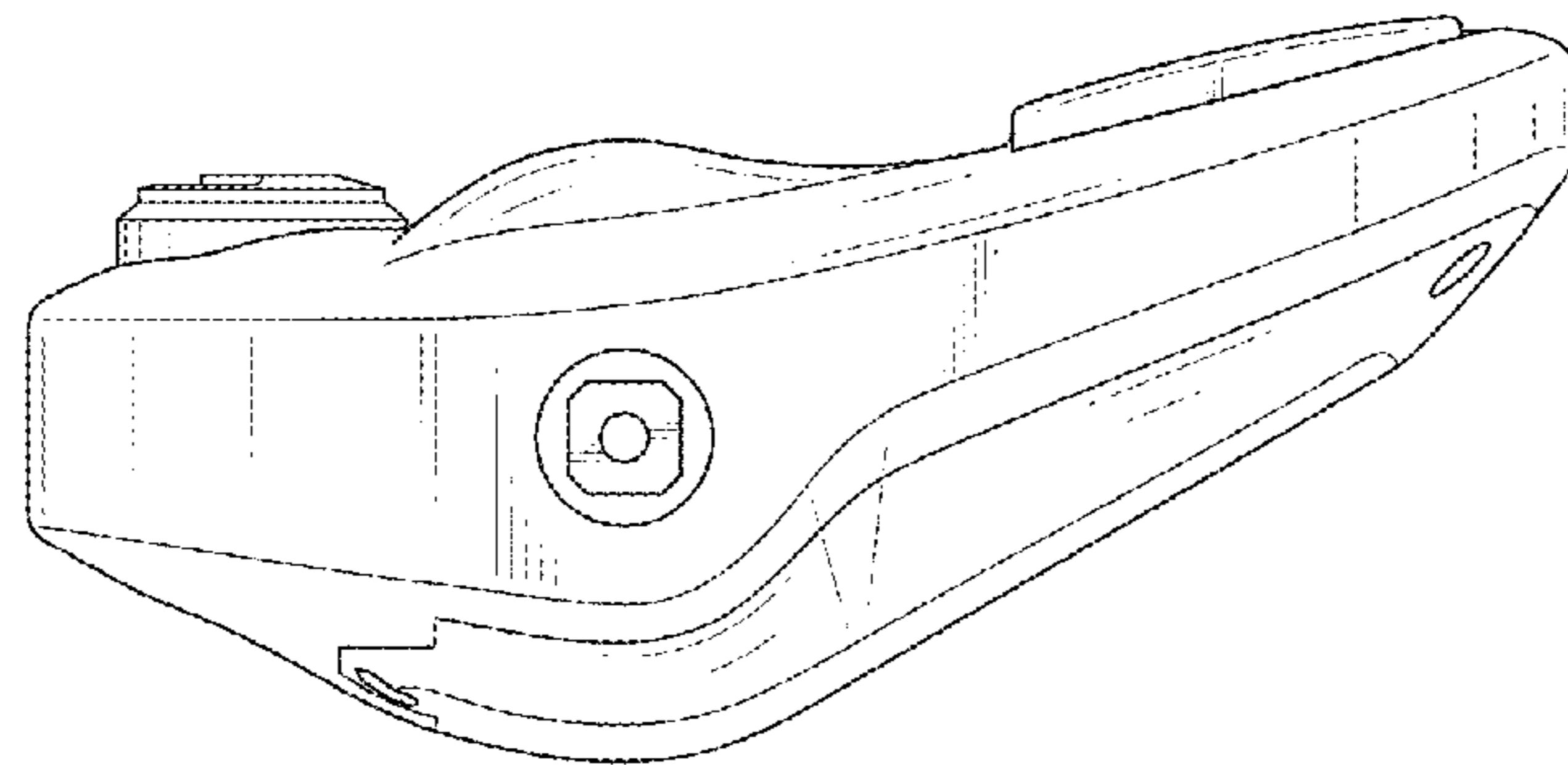


FIG. 14

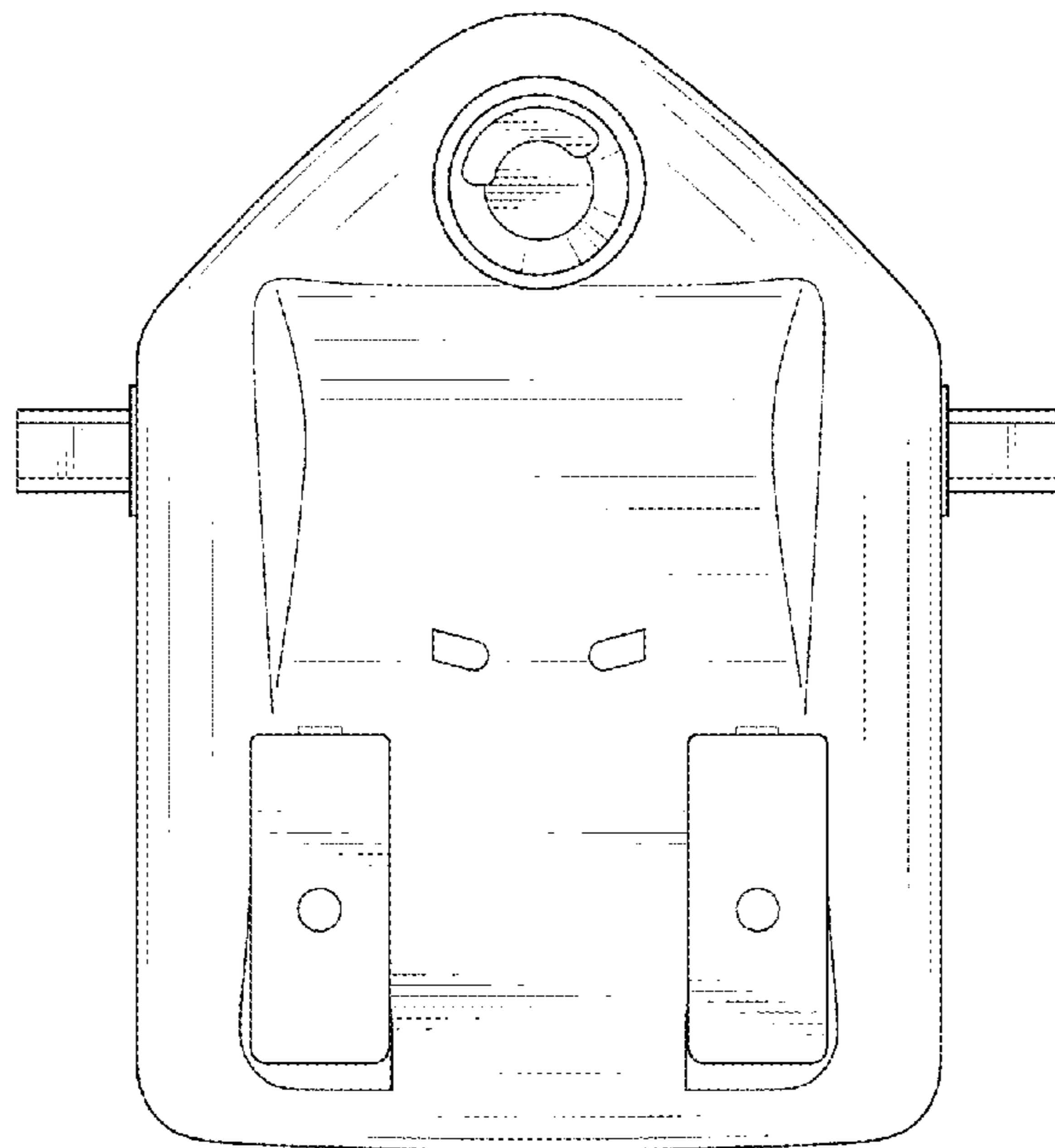


FIG. 15

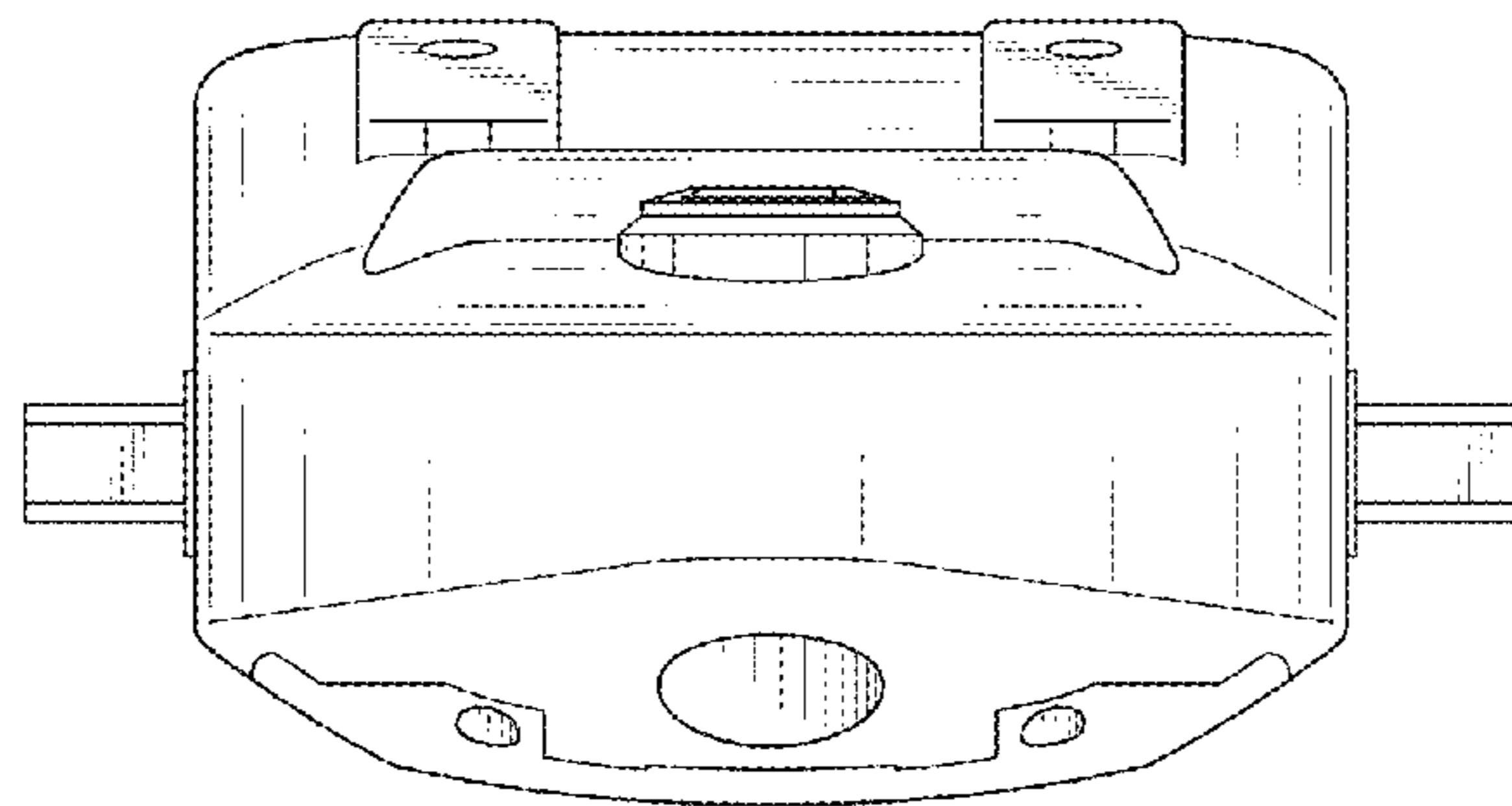


FIG. 16

