

US00D671340S

(12) **United States Design Patent**
Calligaris

(10) **Patent No.:** **US D671,340 S**

(45) **Date of Patent:** **** Nov. 27, 2012**

(54) **TABLE**

(75) Inventor: **Alessandro Calligaris**, Duino Aurisina (IT)

(73) Assignee: **Calligaris S.p.A.**, Manzano (IT)

(**) Term: **14 Years**

(21) Appl. No.: **29/408,388**

(22) Filed: **Dec. 12, 2011**

(30) **Foreign Application Priority Data**

Jun. 10, 2011 (EM) 1280580-0020

(51) **LOC (9) Cl.** **06-03**

(52) **U.S. Cl.** **D6/484**

(58) **Field of Classification Search** D6/480-489,
D6/495-499, 450, 451, 429-431; 108/150,
108/153.1, 155, 156, 157.1, 161, 65, 69,
108/70, 154, 86, 143; 248/188, 188.1, 188.8
See application file for complete search history.

(56) **References Cited**

U.S. PATENT DOCUMENTS

D152,686 S *	2/1949	Guild et al.	D6/496
D153,738 S *	5/1949	Wallance	D6/430
D386,868 S *	11/1997	Catlett	D34/17
D508,625 S *	8/2005	Frenkler et al.	D6/484

* cited by examiner

Primary Examiner — Janice Seeger

(74) *Attorney, Agent, or Firm* — Hamre, Schumann, Mueller & Larson, P.C.

(57) **CLAIM**

The ornamental design for a table, as shown and described.

DESCRIPTION

FIG. 1 is a front perspective view of a table in accordance with a first embodiment of my design;

FIG. 2 is a front view thereof;

FIG. 3 is a back view thereof;

FIG. 4 is a right side view thereof;

FIG. 5 is a left side view thereof.

FIG. 6 is a top view thereof;

FIG. 7 is a bottom view thereof.

FIG. 8 is a front perspective view of a table in accordance with a second embodiment of my design;

FIG. 9 is a front view thereof;

FIG. 10 is a back view thereof;

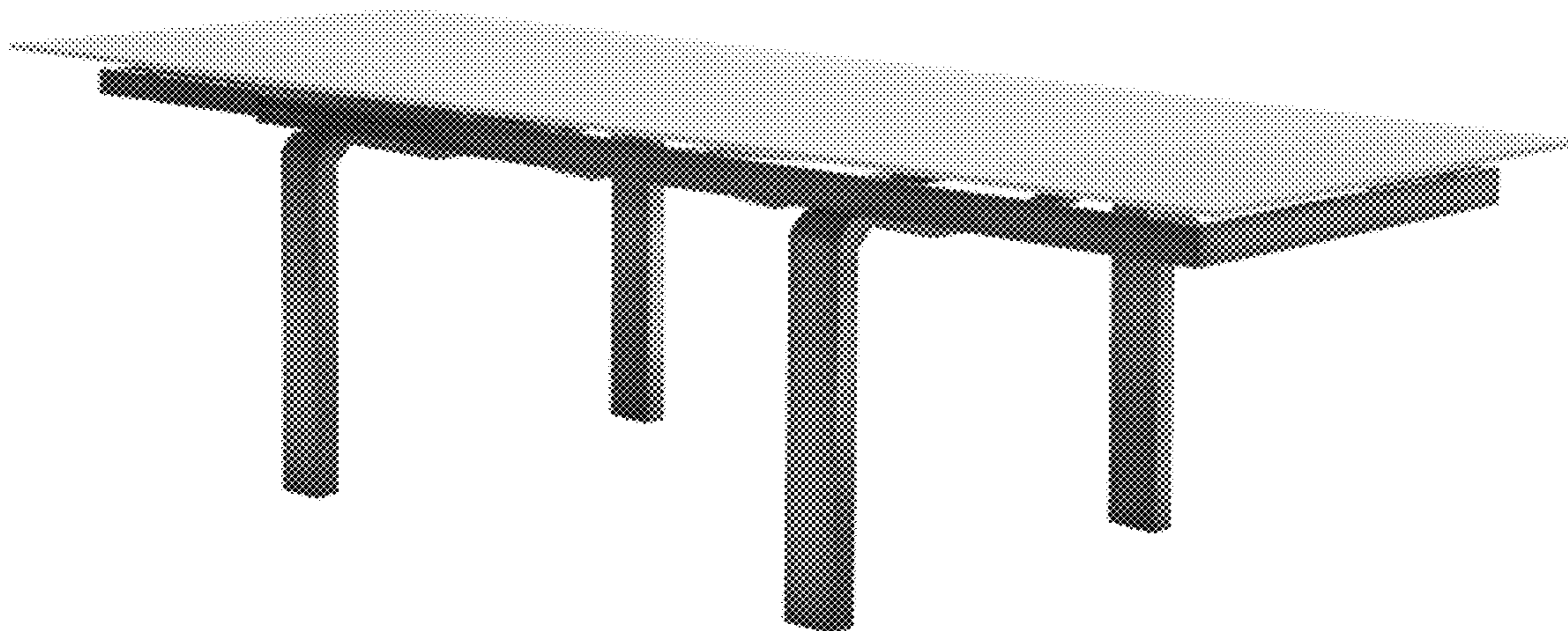
FIG. 11 is a right side view thereof;

FIG. 12 is a left side view thereof.

FIG. 13 is a top view thereof; and,

FIG. 14 is a bottom view thereof.

1 Claim, 14 Drawing Sheets



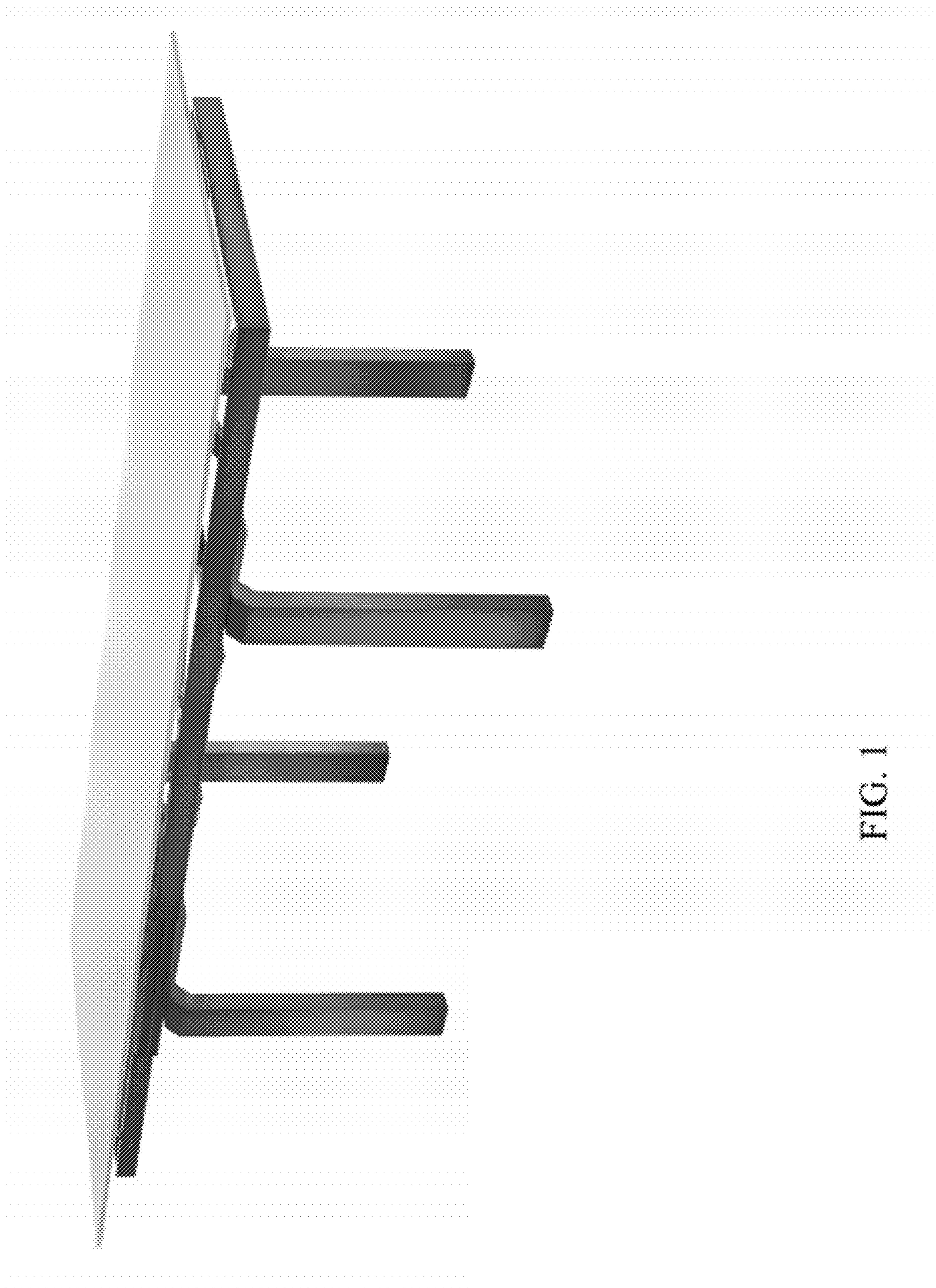


FIG. 1

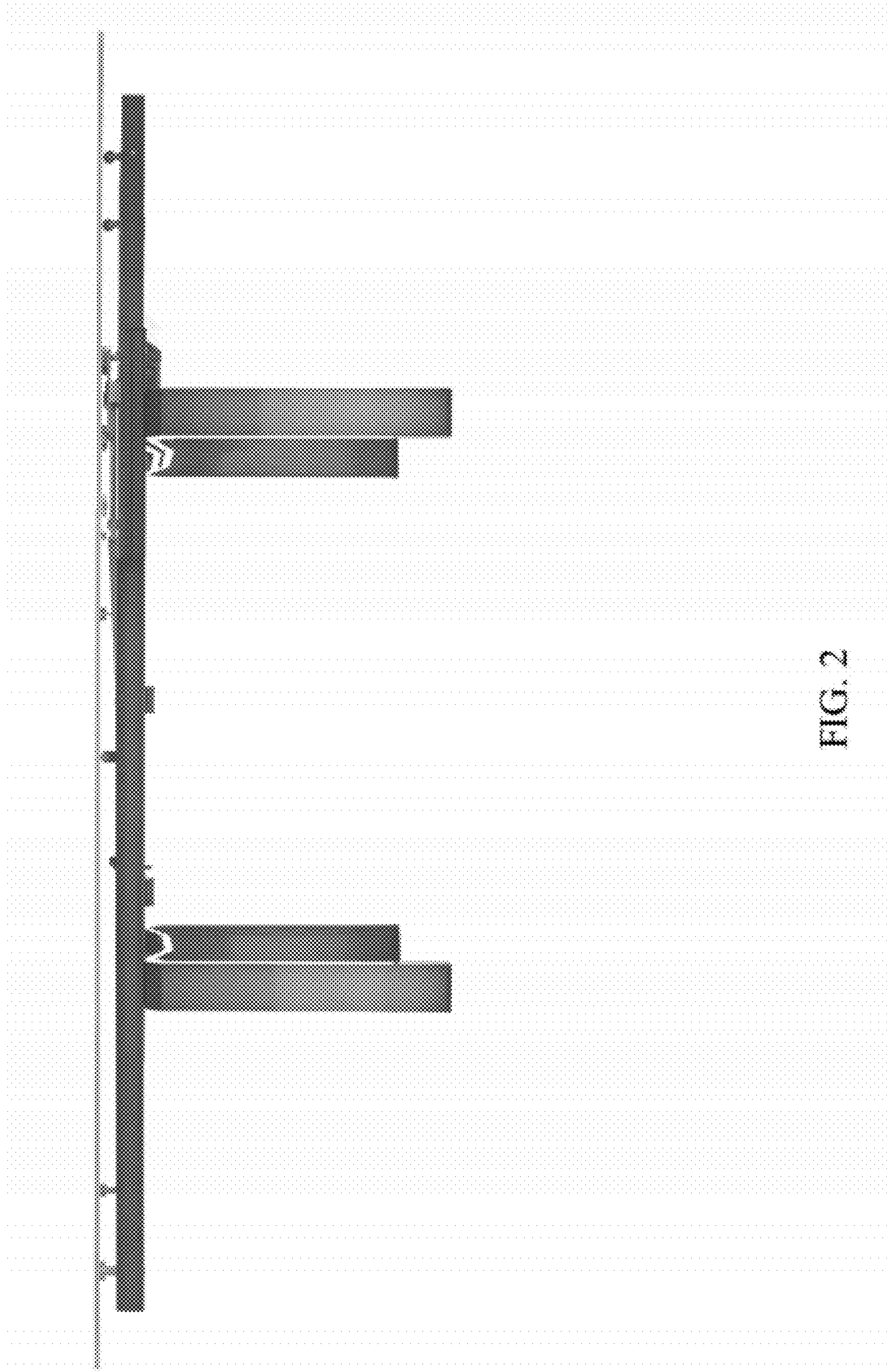


FIG. 2

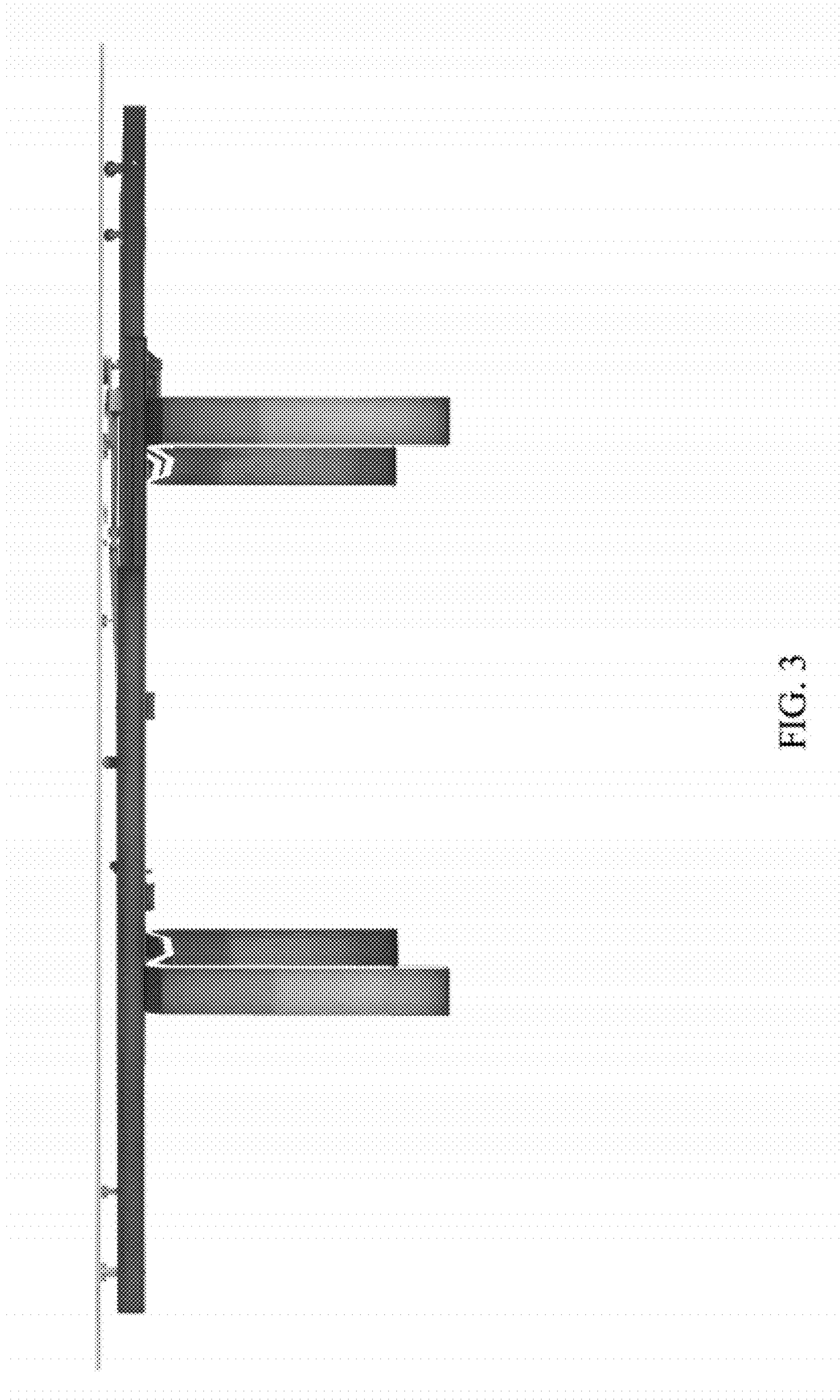


FIG. 3

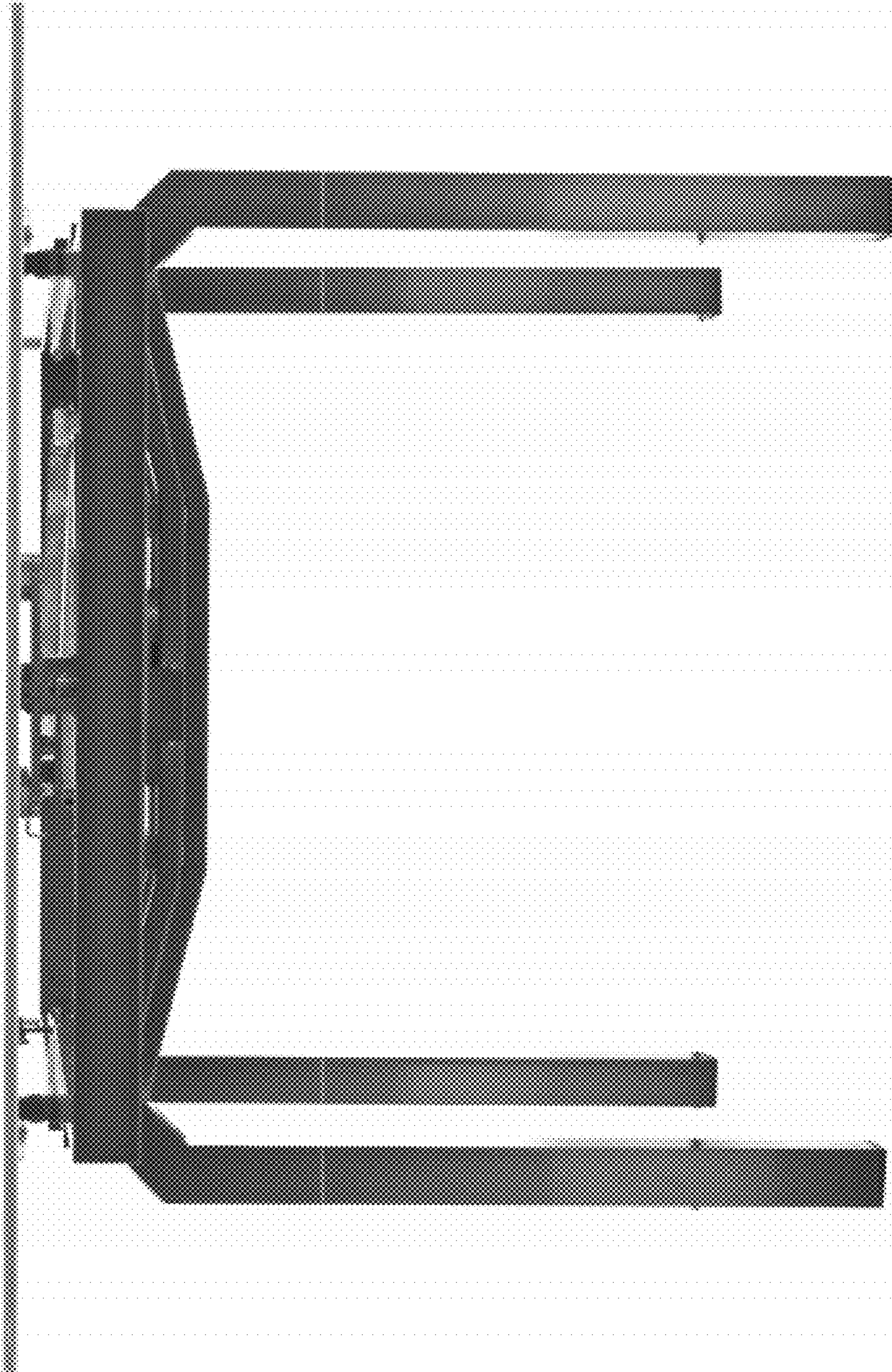


FIG. 4

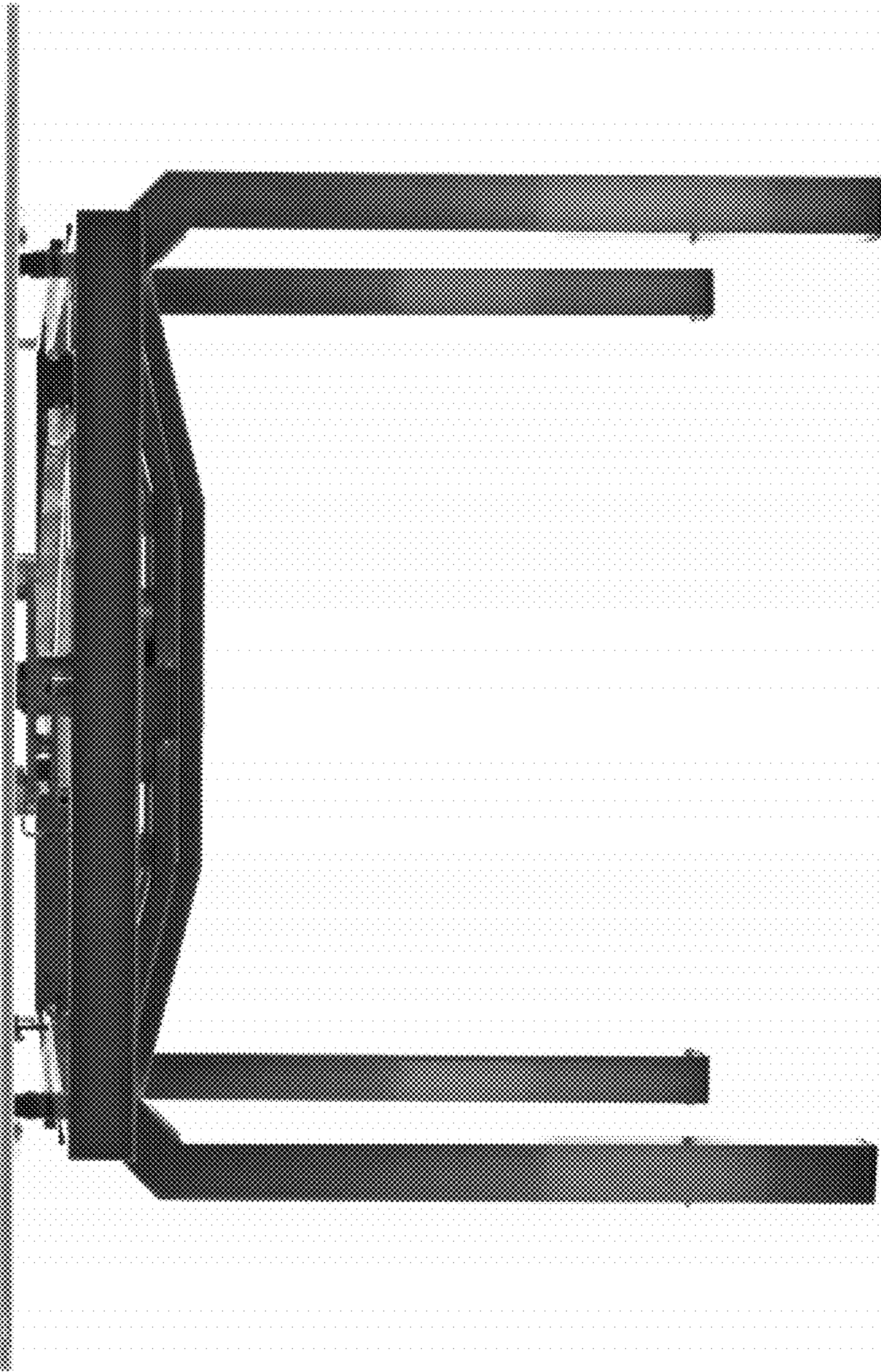


FIG. 5

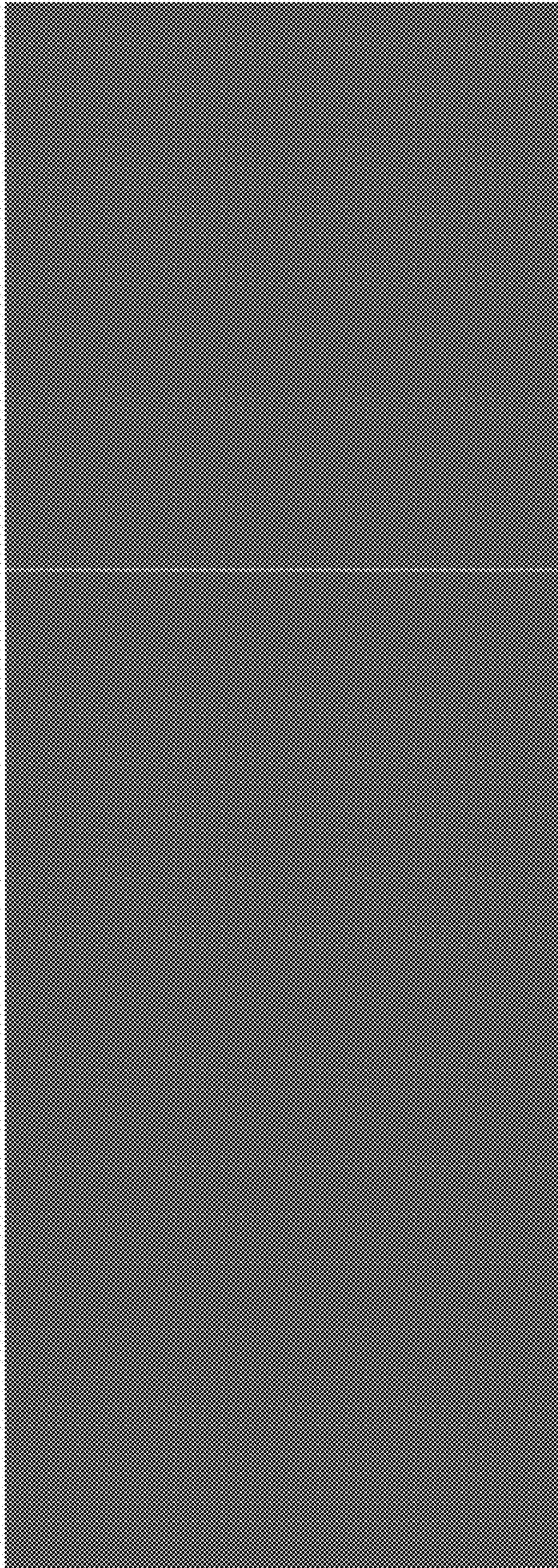


FIG. 6

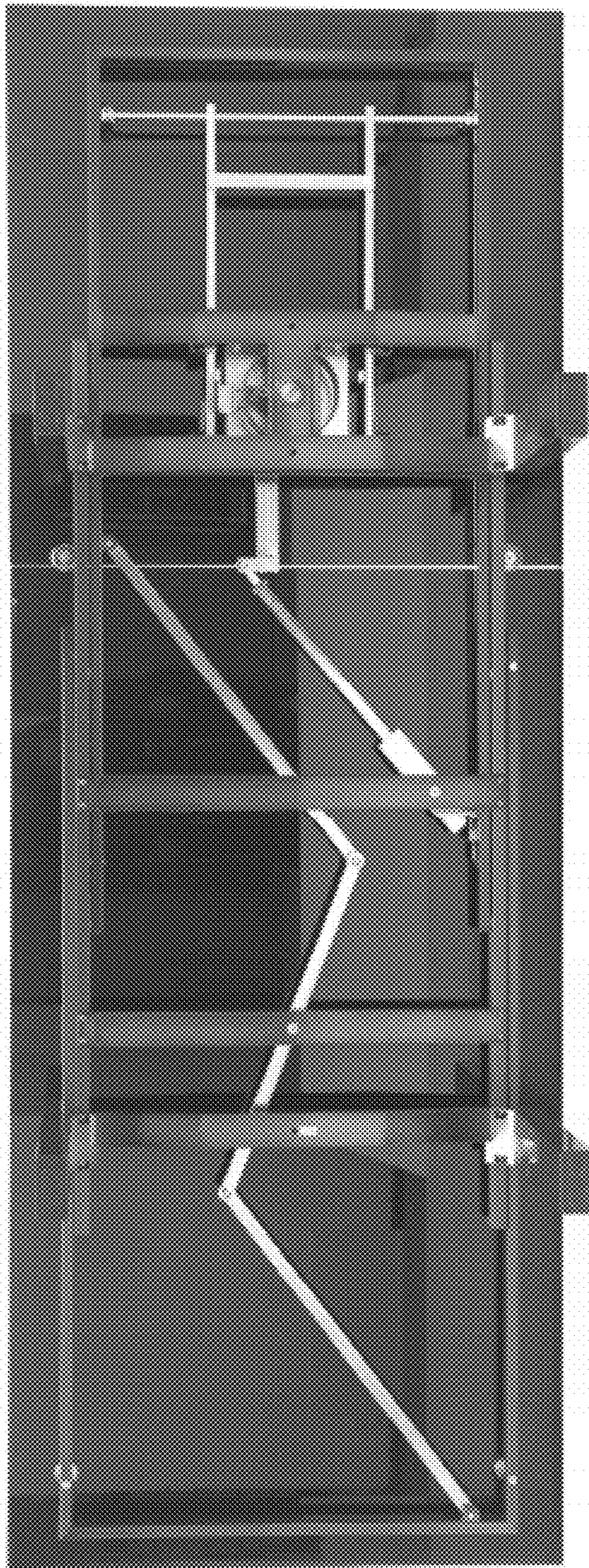


FIG. 7

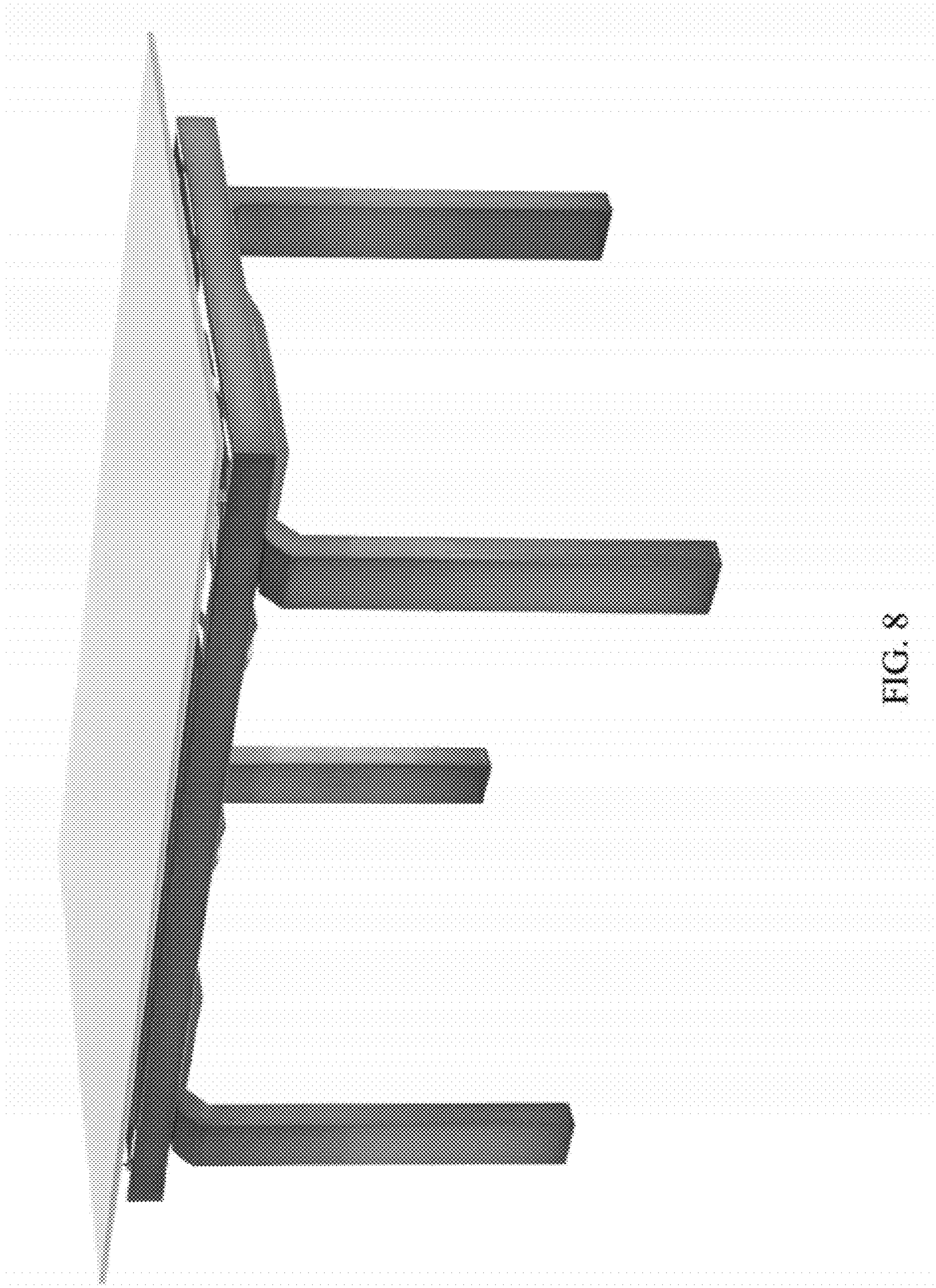


FIG. 8

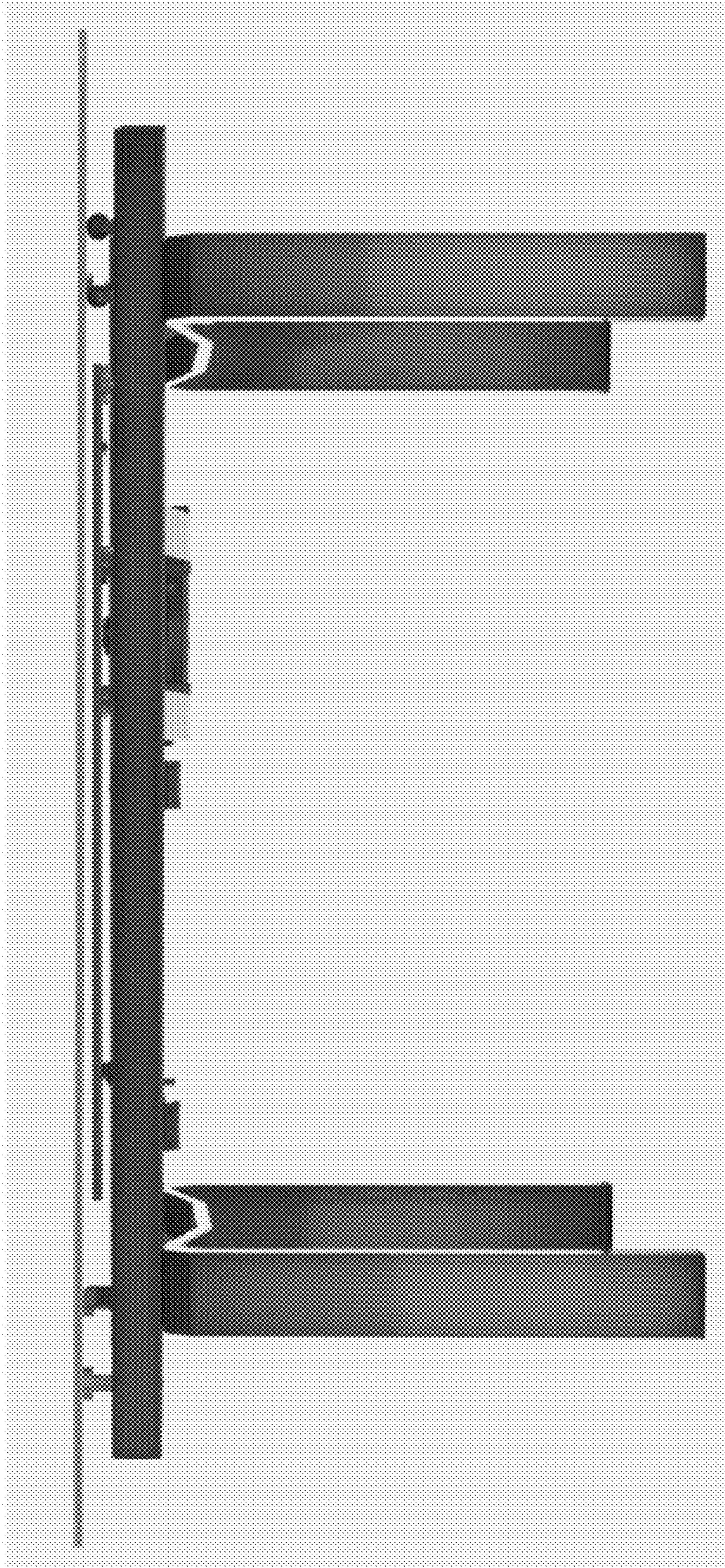


FIG. 9

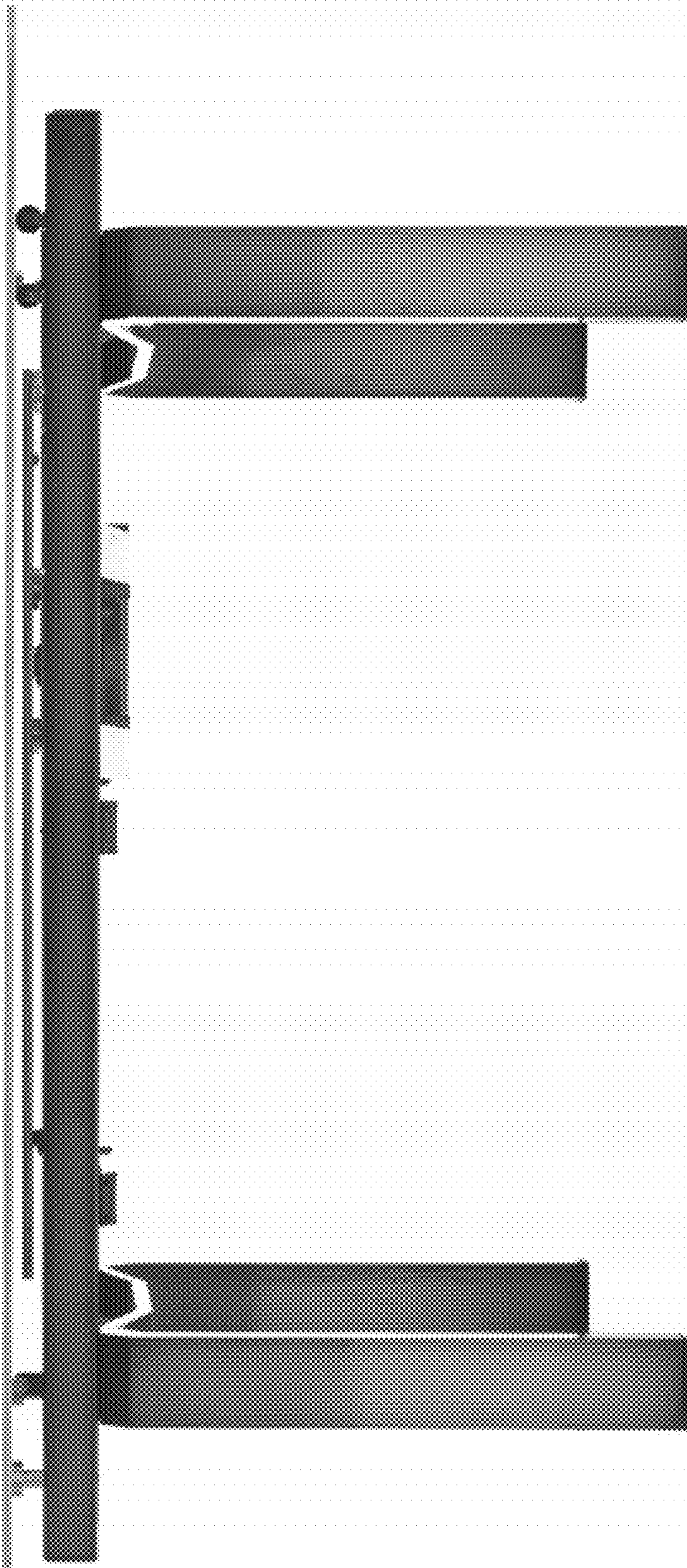


FIG. 10

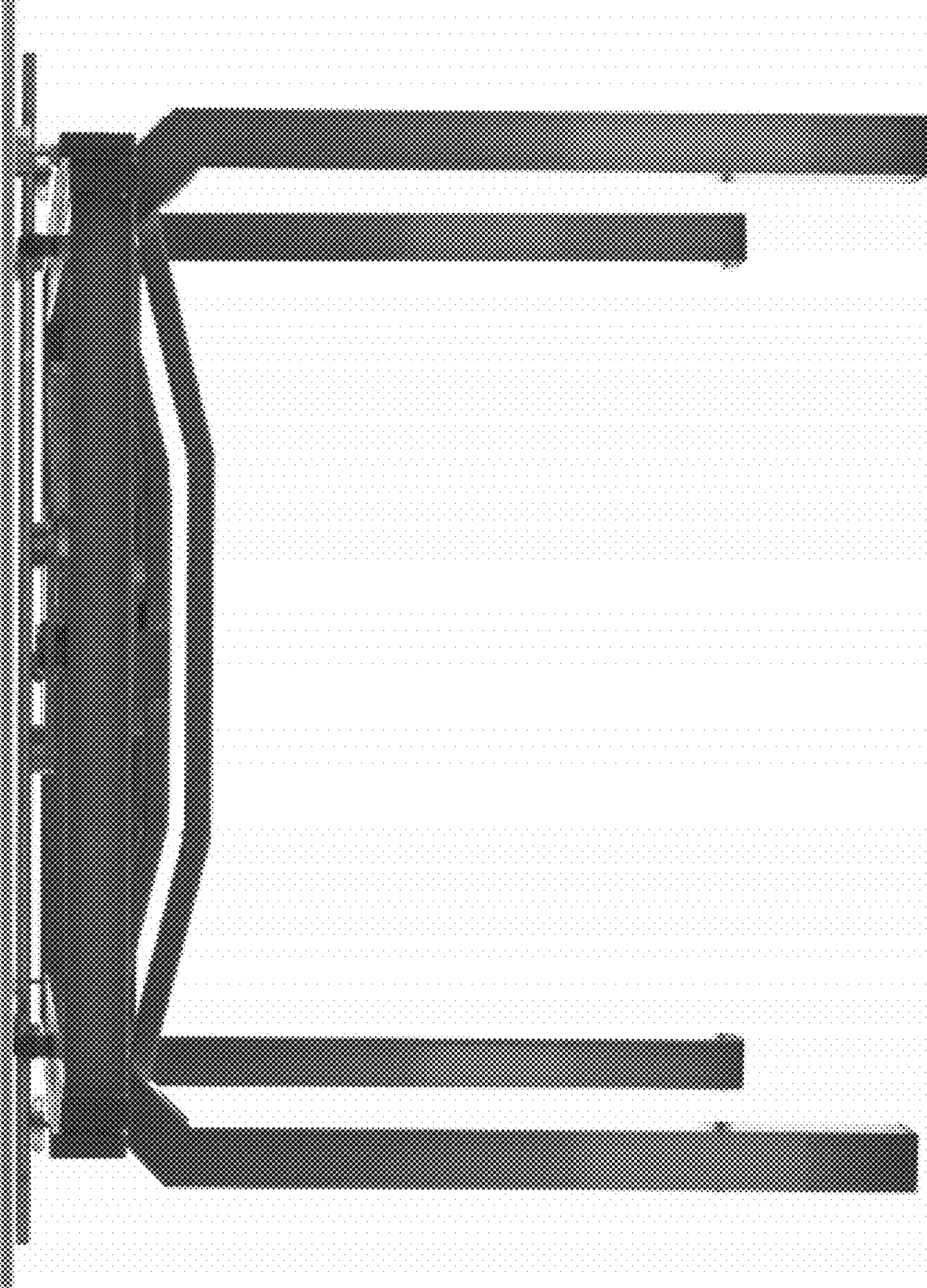


FIG. 11

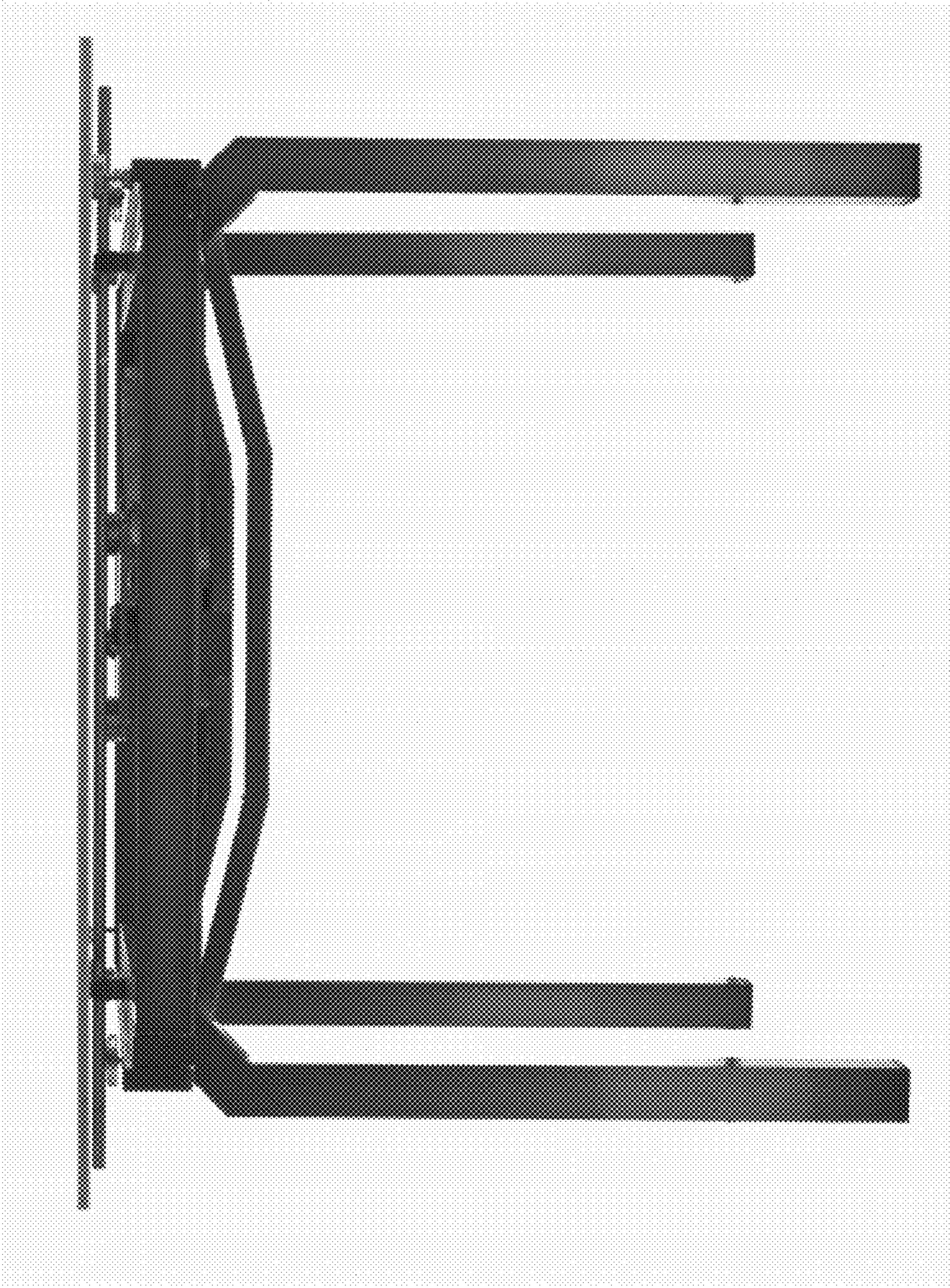


FIG. 12

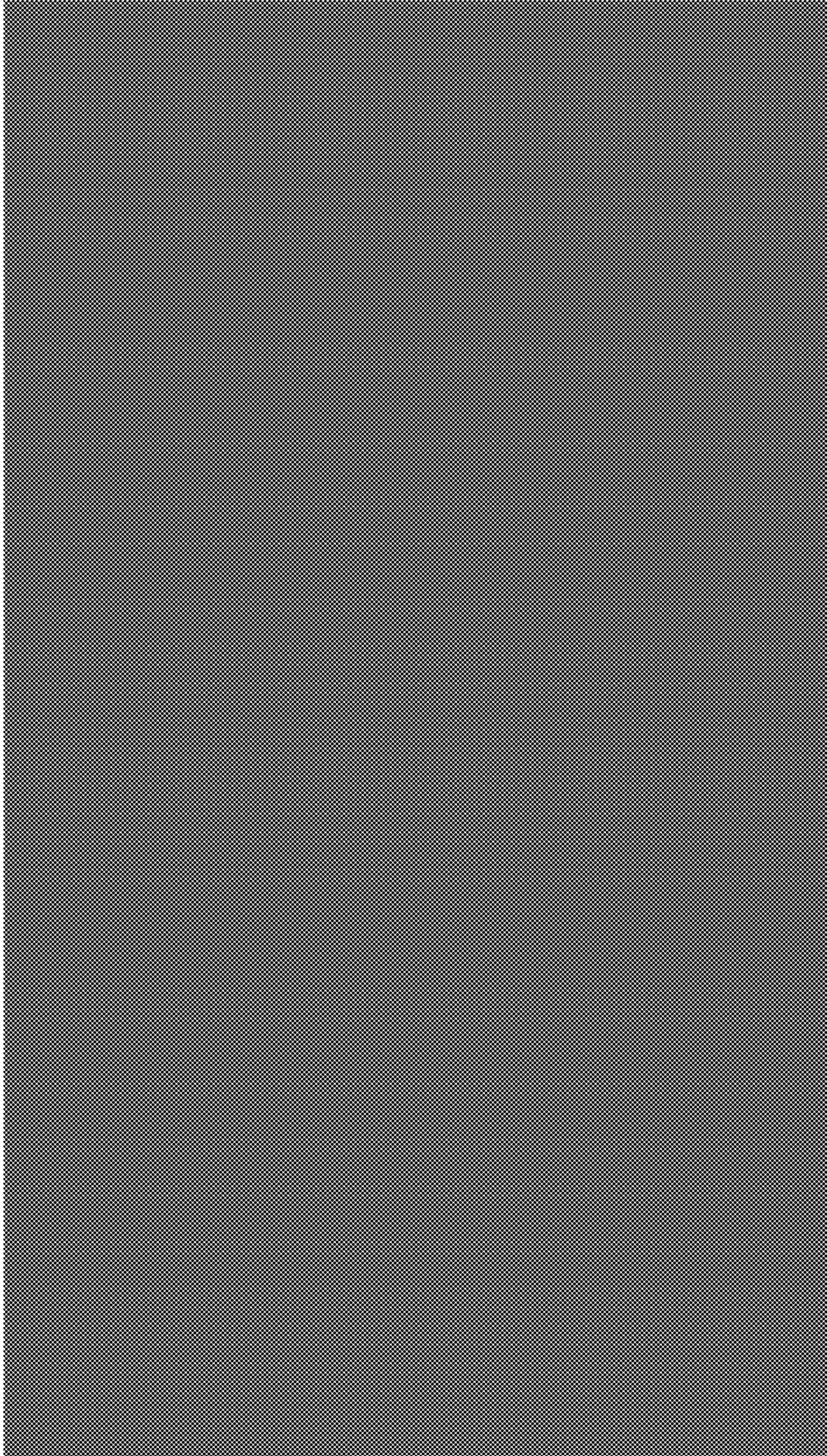


FIG. 13

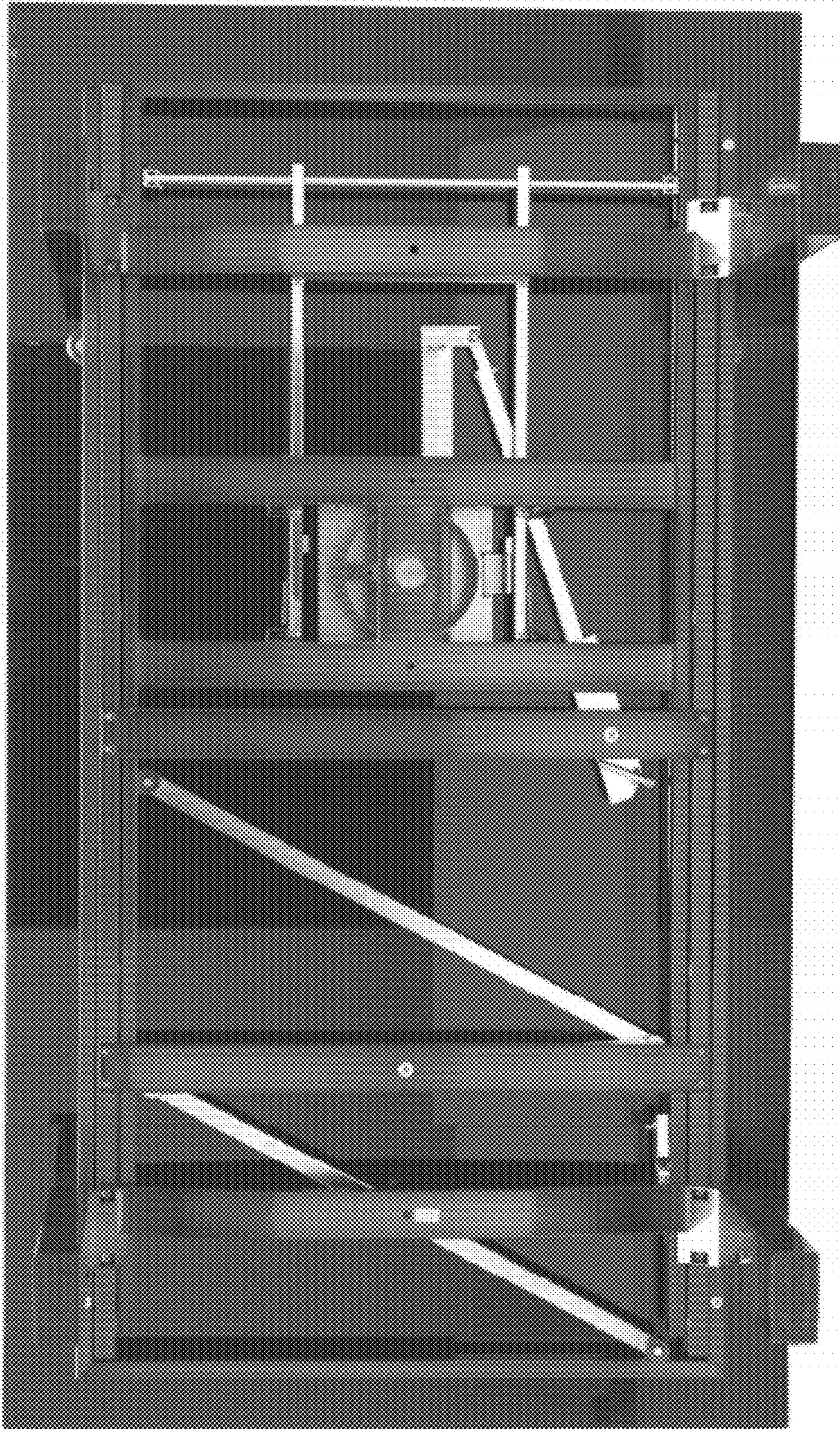


FIG. 14