



US00D671338S

(12) **United States Design Patent**
Sexton

(10) **Patent No.:** **US D671,338 S**
(45) **Date of Patent:** **** Nov. 27, 2012**

- (54) **TV STAND**
- (75) Inventor: **James S. Sexton**, San Ramon, CA (US)
- (73) Assignee: **Z-Line Designs, Inc.**, San Ramon, CA (US)
- (**) Term: **14 Years**
- (21) Appl. No.: **29/401,749**
- (22) Filed: **Sep. 14, 2011**
- (51) **LOC (9) Cl.** **06-06**
- (52) **U.S. Cl.** **D6/477**
- (58) **Field of Classification Search** D6/474,
D6/477-479; 108/59, 91-92, 96; 211/40,
211/41.12, 42, 49.1, 50, 85.2, 90.04; 206/307
See application file for complete search history.

- D594,001 S 6/2009 Sexton
- D595,978 S * 7/2009 Portnoy et al. D6/477
- D607,671 S 1/2010 Sexton
- D609,942 S 2/2010 Sexton
- D611,728 S * 3/2010 Nielsen D6/449
- D612,172 S * 3/2010 Portnoy D6/477
- D615,771 S * 5/2010 Kohler D6/460
- D618,015 S 6/2010 Sexton
- D619,827 S * 7/2010 Sculler et al. D6/477
- D630,870 S 1/2011 Sexton
- D630,871 S 1/2011 Sexton
- D631,265 S 1/2011 Sexton
- D639,089 S 6/2011 Sexton
- D640,070 S 6/2011 Sexton
- D640,071 S 6/2011 Sexton
- D640,072 S 6/2011 Sexton
- D644,854 S 9/2011 Sexton
- D646,910 S * 10/2011 Portnoy D6/474
- D651,826 S * 1/2012 Tseng et al. D6/477

* cited by examiner

Primary Examiner — Kelley Donnelly

(74) *Attorney, Agent, or Firm* — Kilpatrick Townsend & Stockton LLP

(56) **References Cited**

U.S. PATENT DOCUMENTS

- D474,047 S * 5/2003 Lara D6/479
- D491,385 S 6/2004 Sexton
- D497,740 S 11/2004 Sexton
- D497,741 S 11/2004 Sexton
- D498,946 S 11/2004 Sexton
- D501,740 S 2/2005 Sexton
- D502,027 S 2/2005 Sexton
- D502,341 S 3/2005 Sexton
- D506,329 S 6/2005 Sexton
- D507,900 S 8/2005 Sexton
- D508,800 S 8/2005 Sexton
- D509,083 S 9/2005 Sexton
- D517,350 S 3/2006 Sexton
- D519,756 S 5/2006 Sexton
- D539,565 S 4/2007 Sexton
- D572,944 S 7/2008 Sexton
- D575,557 S 8/2008 Sexton
- D580,684 S 11/2008 Sexton
- D590,637 S * 4/2009 Portnoy D6/477
- D591,089 S 4/2009 Sexton
- D593,776 S 6/2009 Sexton

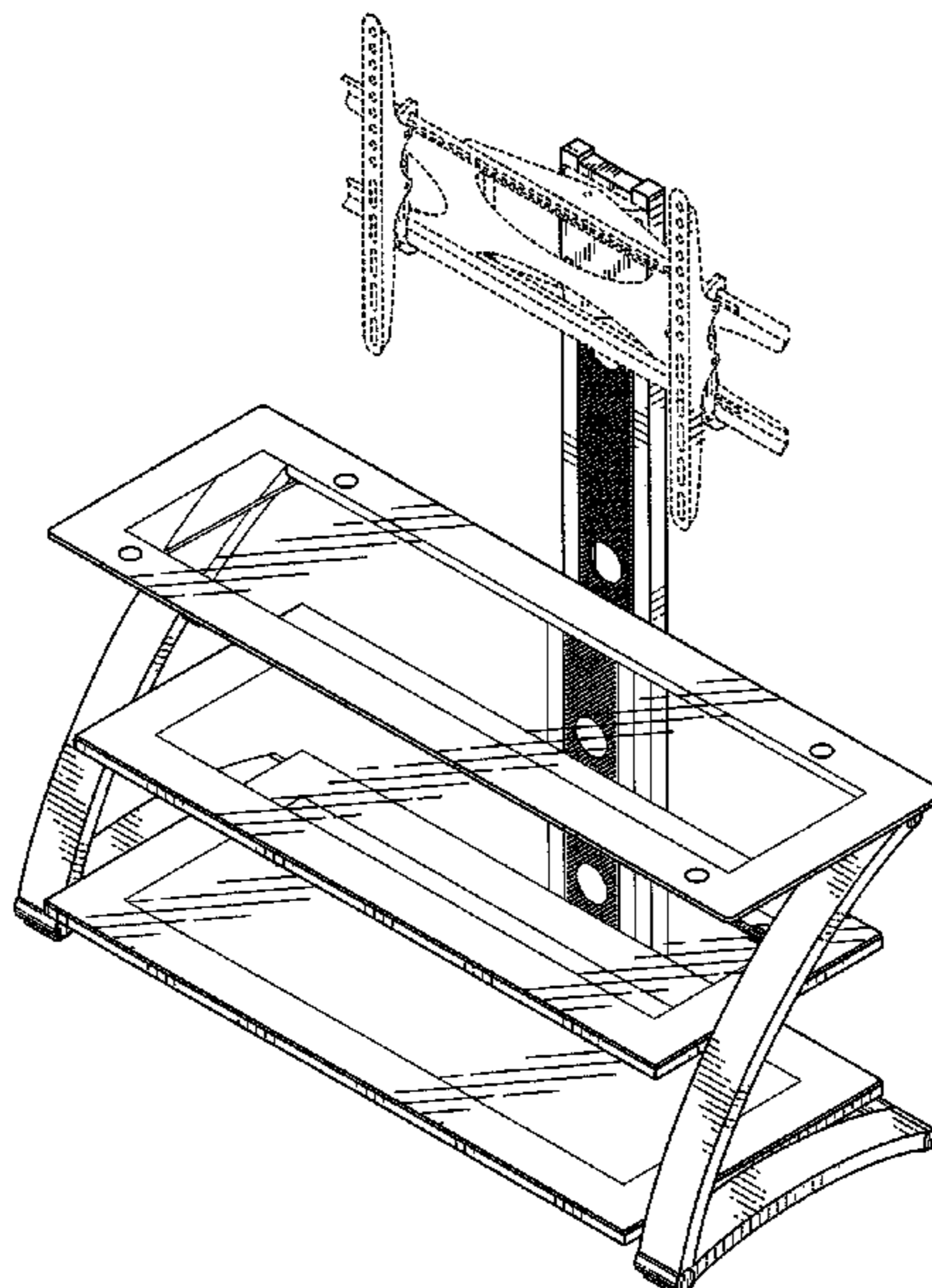
(57) **CLAIM**

The ornamental design for a TV stand, as shown and described.

DESCRIPTION

FIG. 1 is a perspective view of a TV stand showing my new design;
 FIG. 2 is a front elevational view thereof;
 FIG. 3 is a rear elevational view thereof;
 FIG. 4 is a right side elevational view thereof; and
 FIG. 5 is a left side elevational view thereof; and
 FIG. 6 is a top plan view thereof.
 The broken lines showing in FIGS. 1-6 is included for the purpose of illustrating environment of the design and forms no part of the claimed design.

1 Claim, 5 Drawing Sheets



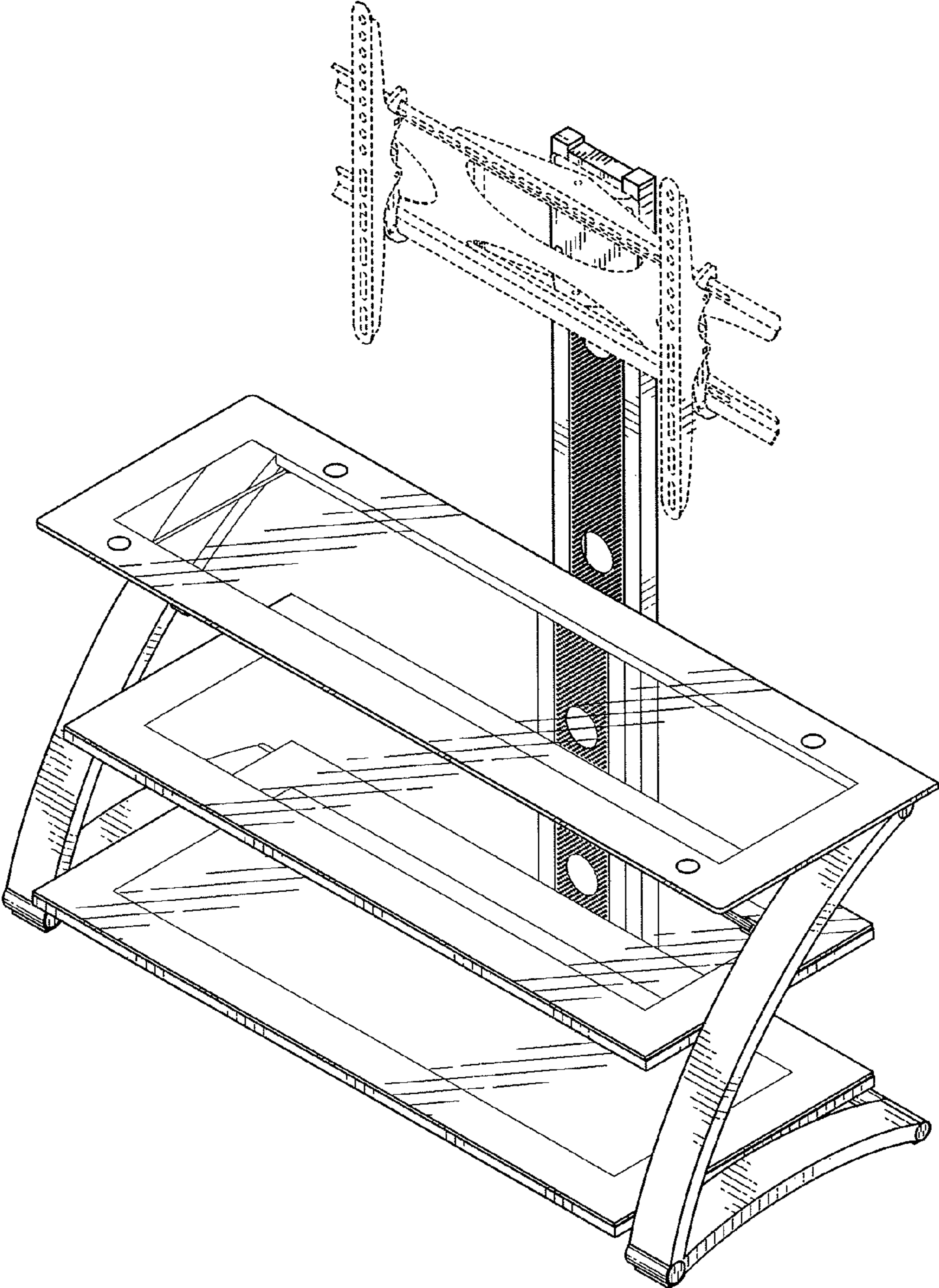


FIG. 1

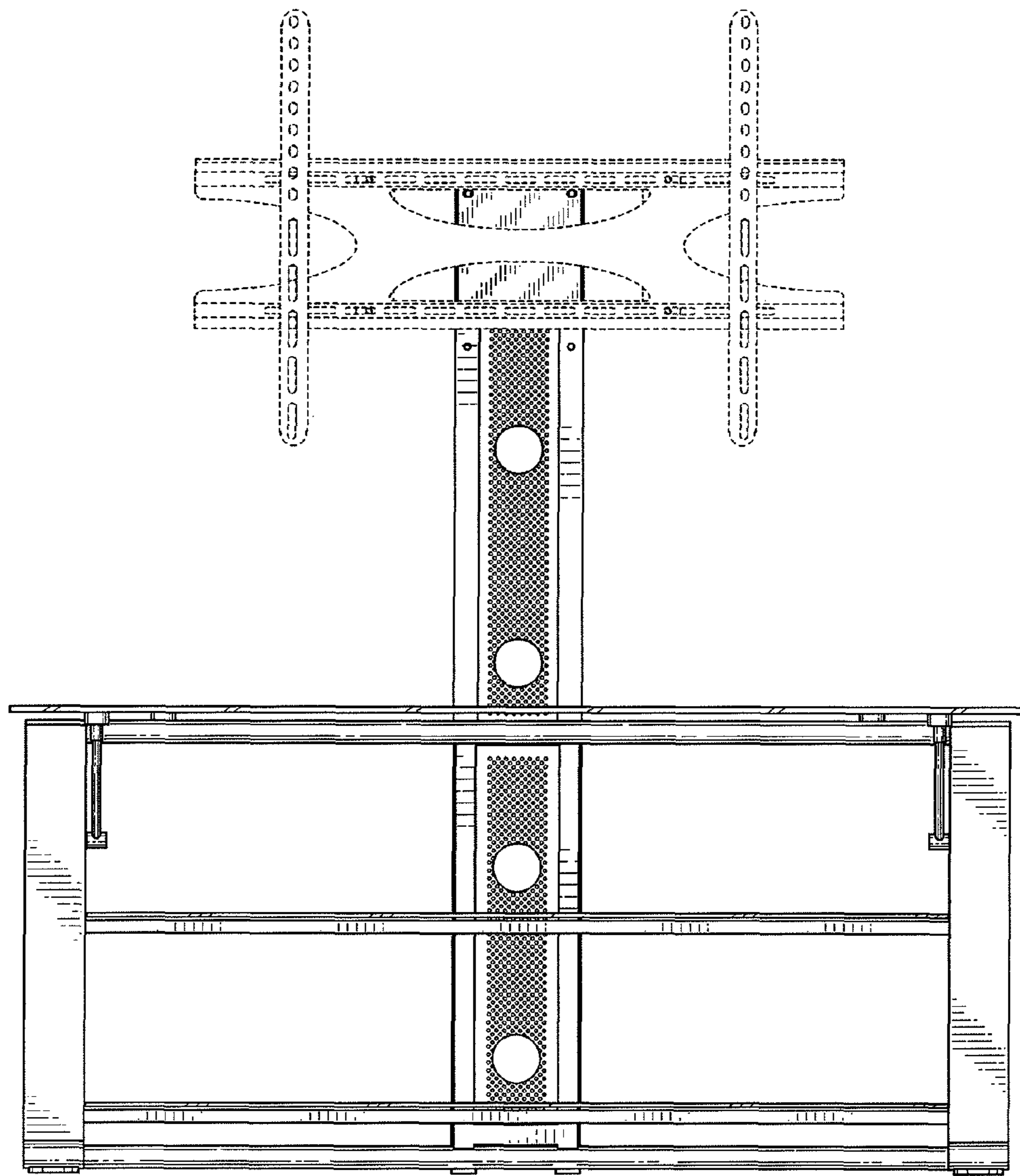


FIG. 2

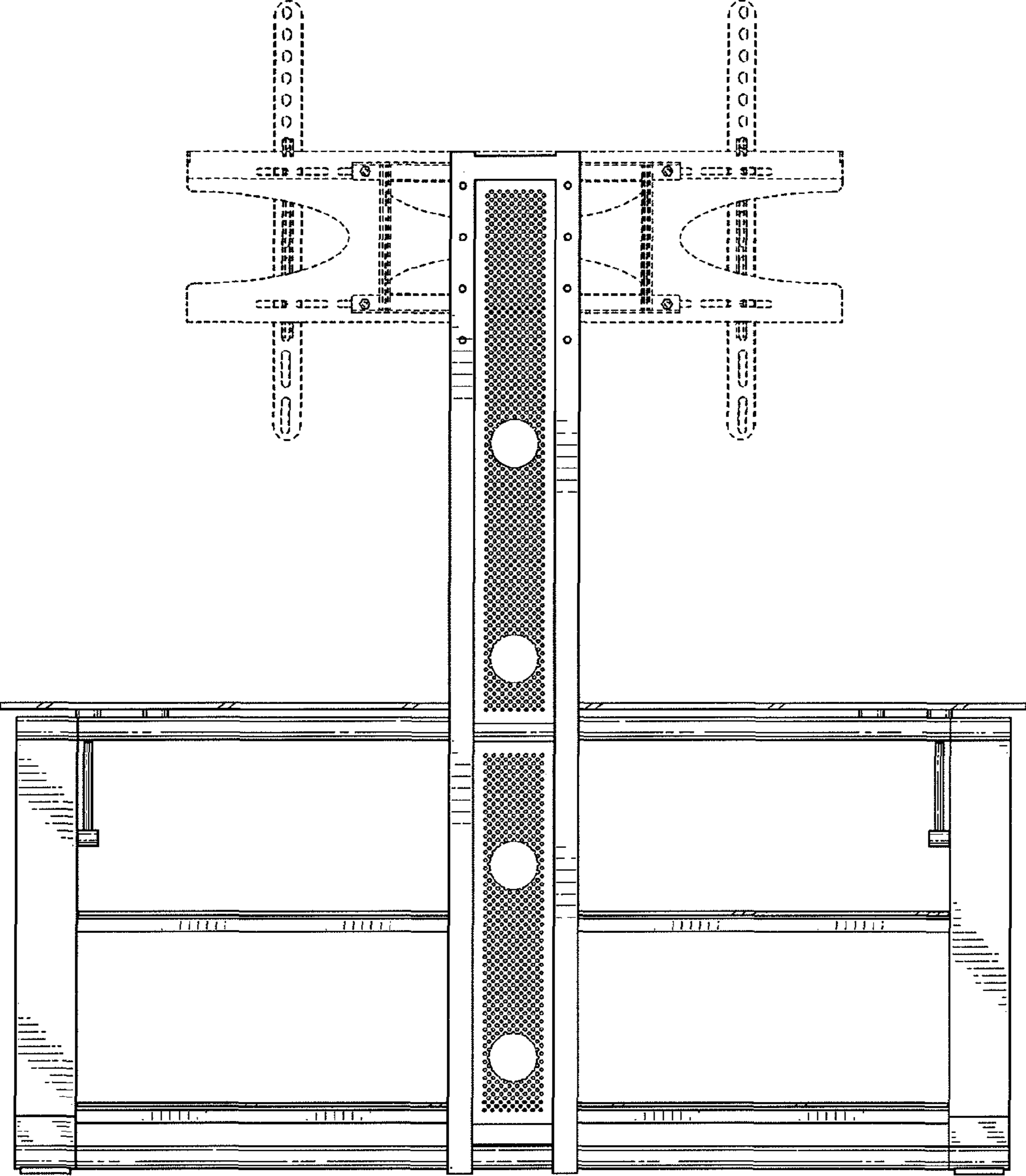


FIG. 3

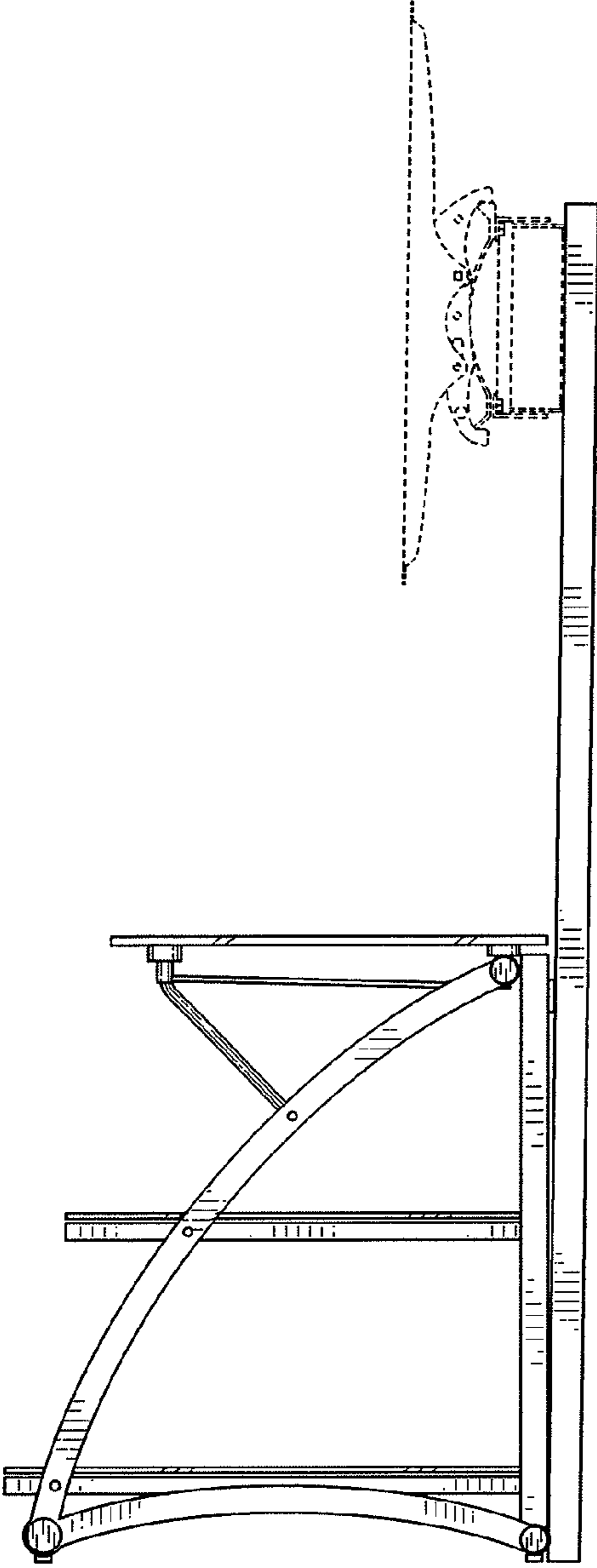


FIG. 4

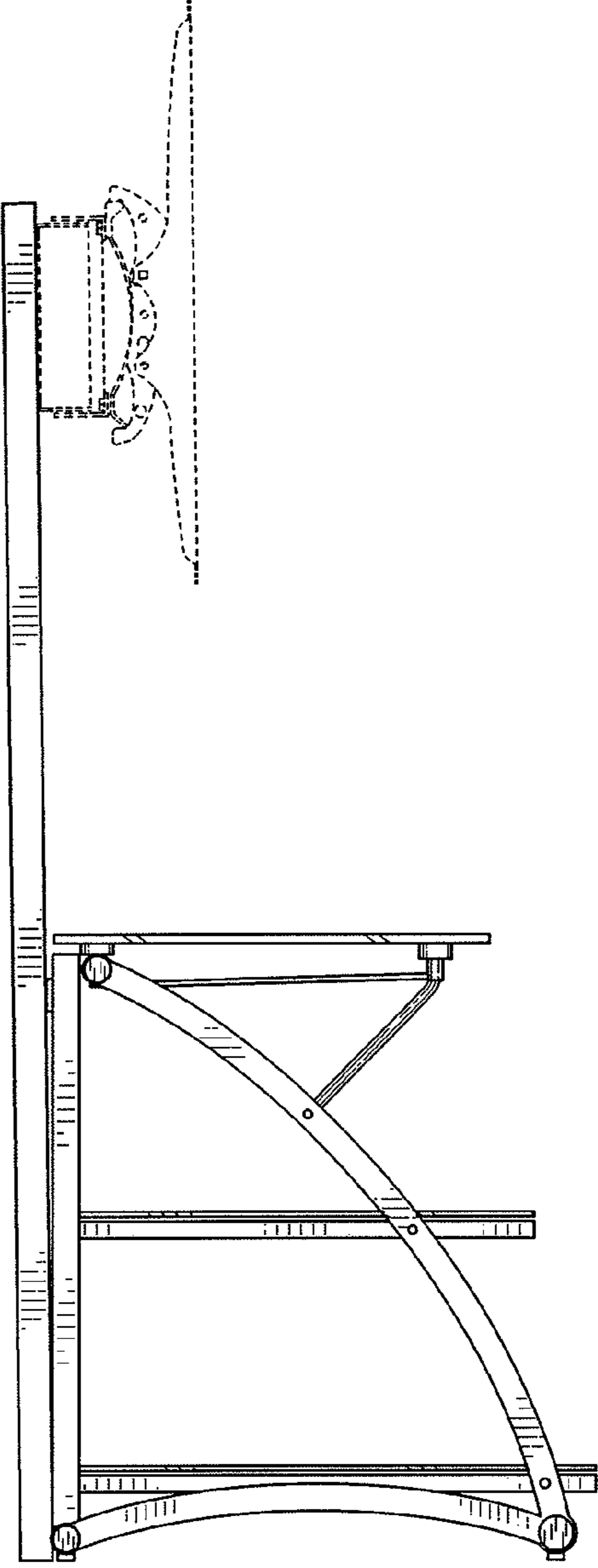


FIG. 5

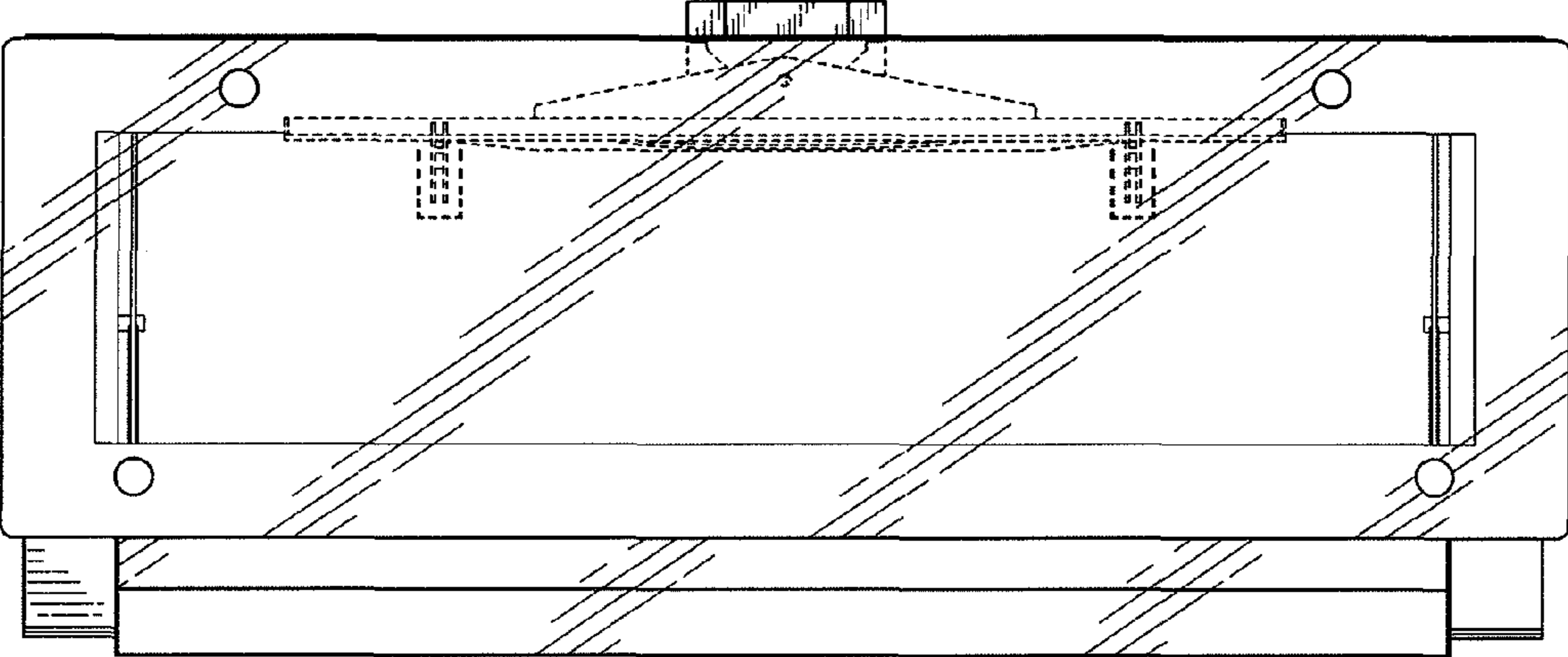


FIG. 6