



US00D671337S

(12) **United States Design Patent**
Sexton

(10) **Patent No.:** **US D671,337 S**

(45) **Date of Patent:** **** Nov. 27, 2012**

(54) **TV STAND**

(75) **Inventor:** **James S. Sexton**, San Ramon, CA (US)

(73) **Assignee:** **Z-Line Designs, Inc.**, San Ramon, CA (US)

(**) **Term:** **14 Years**

(21) **Appl. No.:** **29/422,032**

(22) **Filed:** **May 15, 2012**

Related U.S. Application Data

(62) Division of application No. 29/401,749, filed on Sep. 14, 2011.

(51) **LOC (9) Cl.** **06-06**

(52) **U.S. Cl.** **D6/474**

(58) **Field of Classification Search** D6/460-461, D6/468, 474, 477-479; D14/129; 312/7.2, 312/9.1; 108/59, 91-92, 96; 211/40, 41.12, 211/42, 49.1, 50, 85.2, 90.04, 187, 190, 119.003, 211/134.153

See application file for complete search history.

(56) **References Cited**

U.S. PATENT DOCUMENTS

D539,565 S * 4/2007 Sexton, III D6/474
D572,944 S * 7/2008 Sexton D6/477

D590,637 S *	4/2009	Portnoy	D6/477
D591,089 S *	4/2009	Sexton	D6/479
D609,942 S *	2/2010	Sexton	D6/477
D630,871 S *	1/2011	Sexton	D6/477
D639,089 S *	6/2011	Sexton	D6/477
D641,183 S *	7/2011	Portnoy	D6/474
D644,043 S *	8/2011	Portnoy	D6/474
D644,854 S *	9/2011	Sexton	D6/477
D646,910 S *	10/2011	Portnoy	D6/474
D651,826 S *	1/2012	Tseng et al.	D6/477
D653,057 S *	1/2012	Sexton	D6/477

* cited by examiner

Primary Examiner — Elizabeth Albert

Assistant Examiner — Kelley Donnelly

(74) *Attorney, Agent, or Firm* — Kilpatrick Townsend & Stockton LLP

(57) **CLAIM**

The ornamental design for a TV stand, as shown and described.

DESCRIPTION

FIG. 1 is a perspective view of a TV stand showing my new design;

FIG. 2 is a front elevational view thereof;

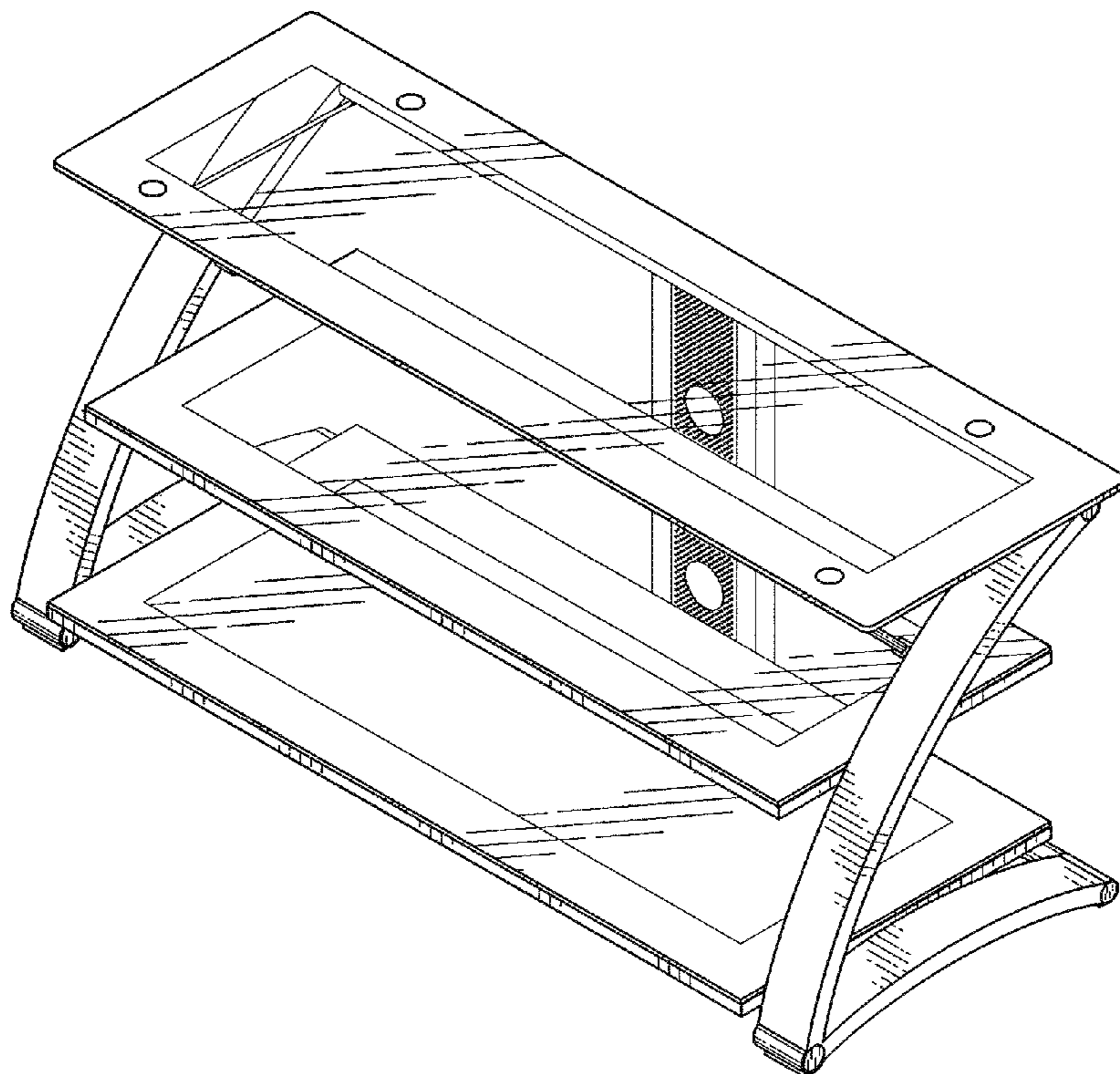
FIG. 3 is a rear elevational view thereof;

FIG. 4 is a right side elevational view thereof;

FIG. 5 is a left side elevational view thereof; and,

FIG. 6 is a top plan view thereof.

1 Claim, 4 Drawing Sheets



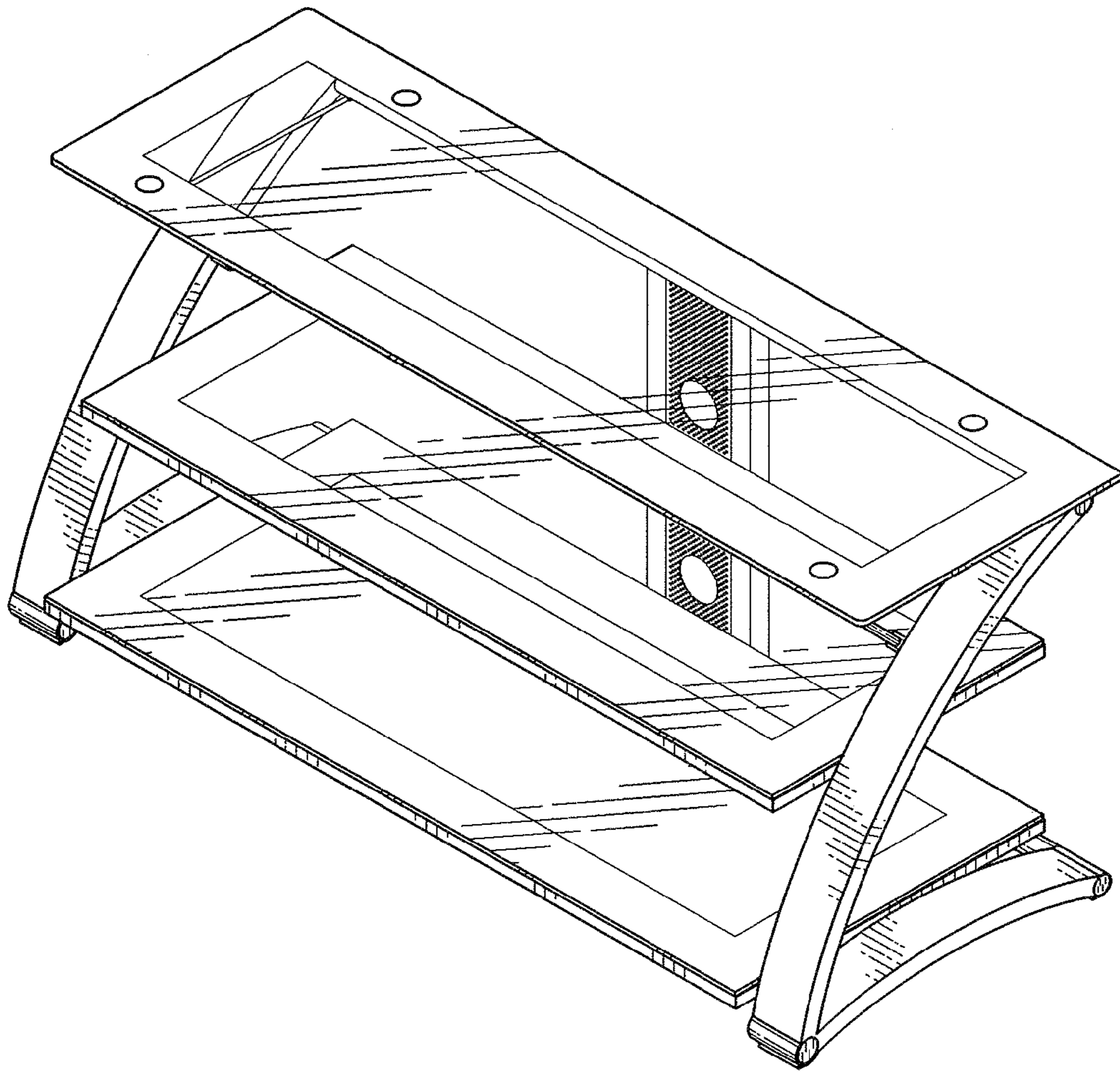


FIG. 1

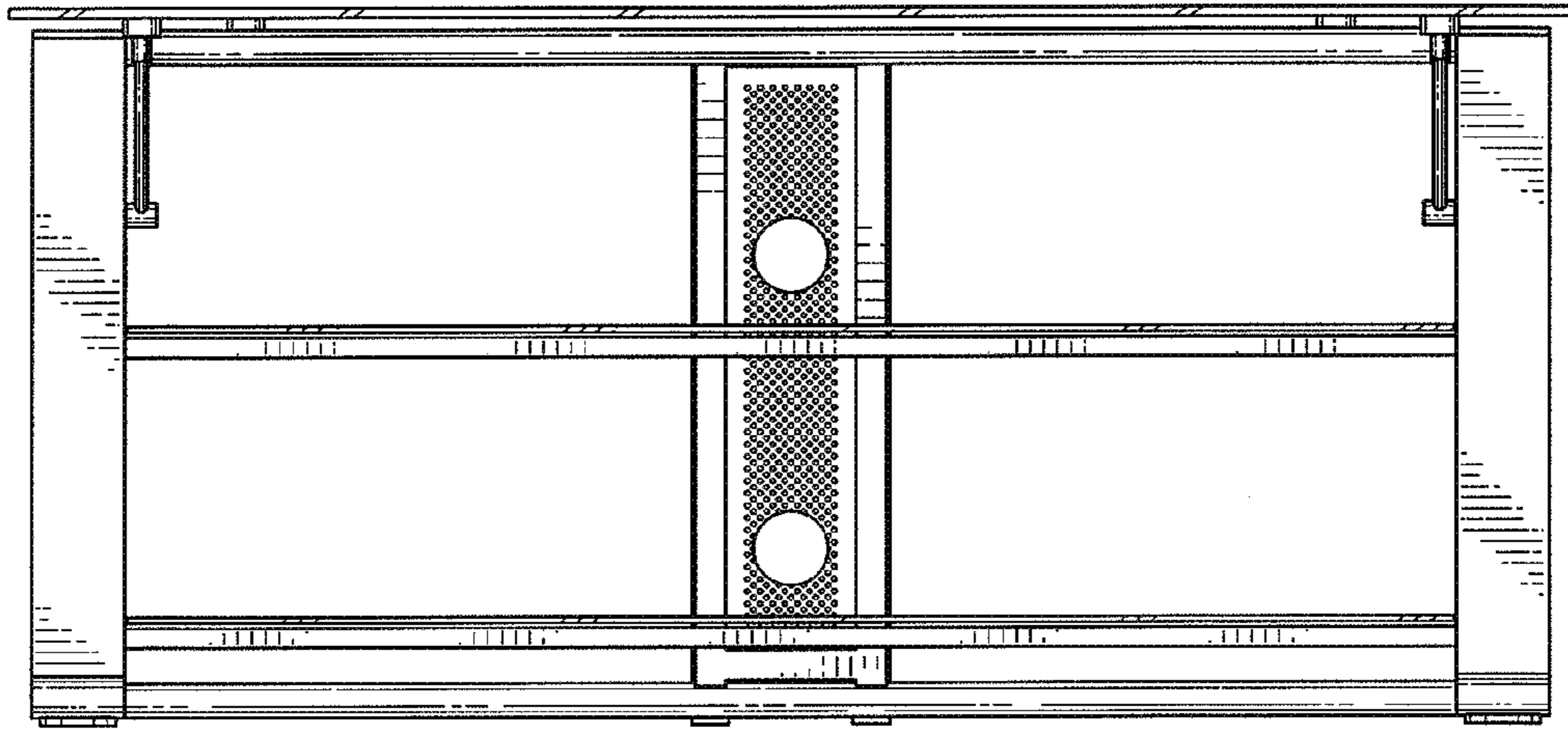


FIG. 2

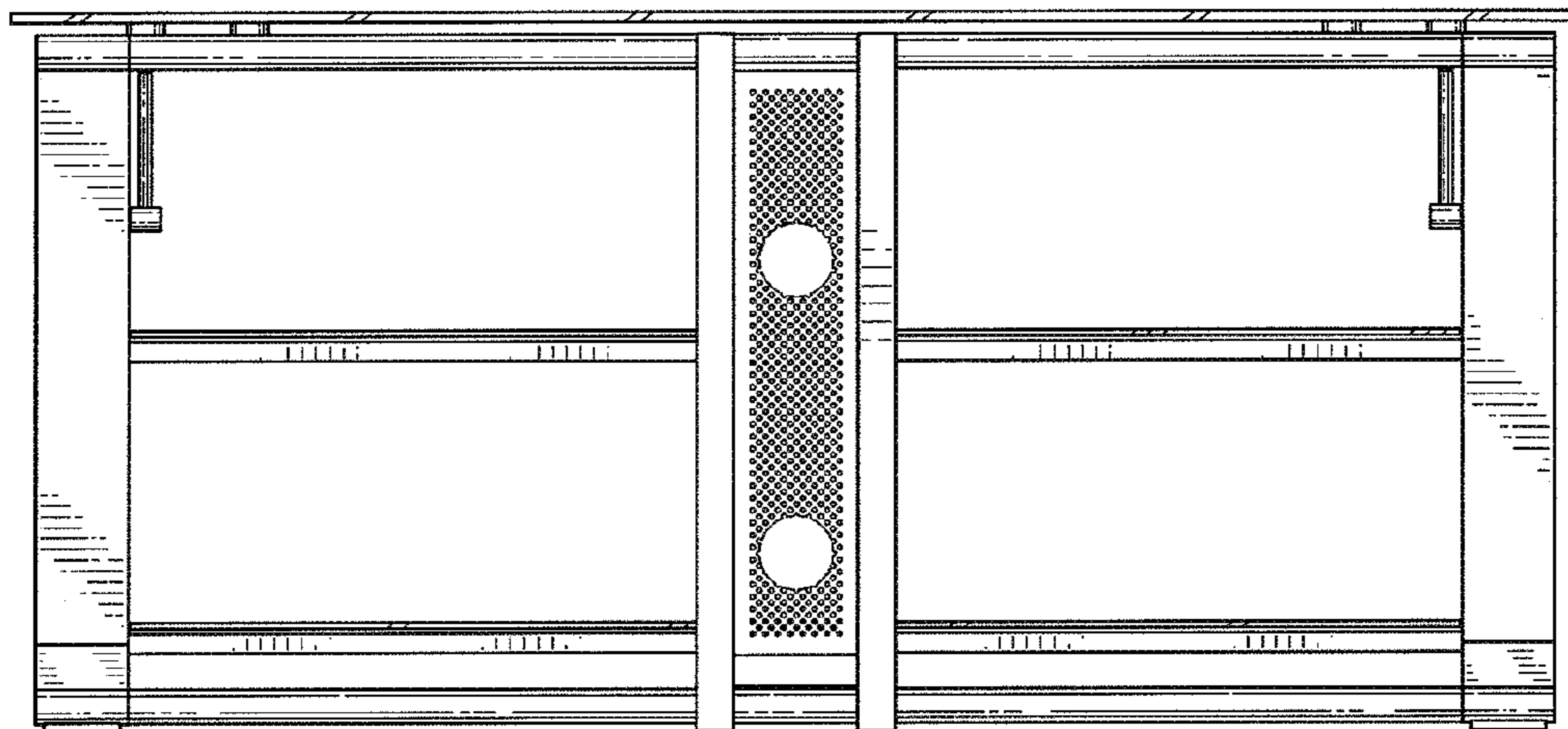


FIG. 3

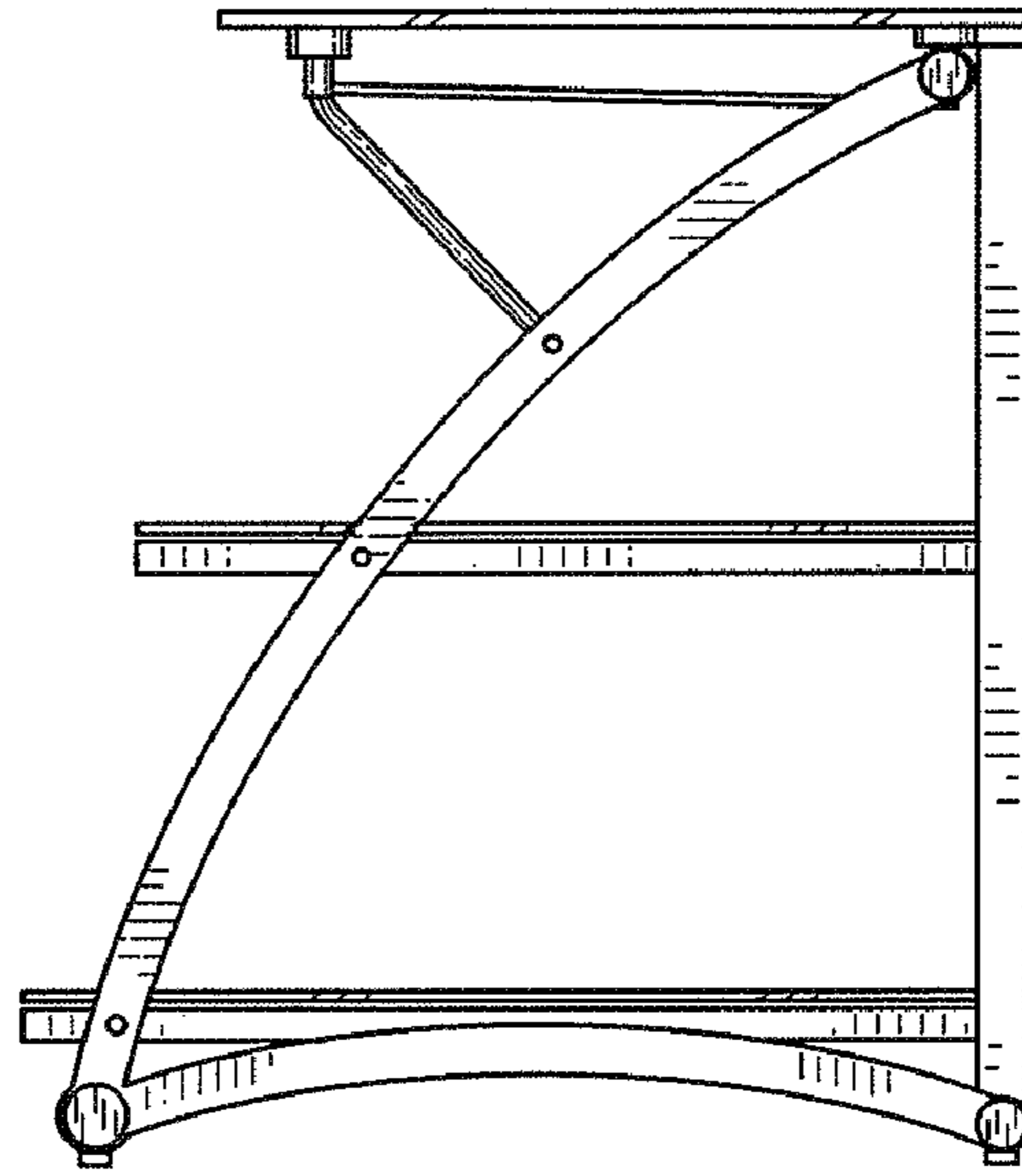


FIG. 4

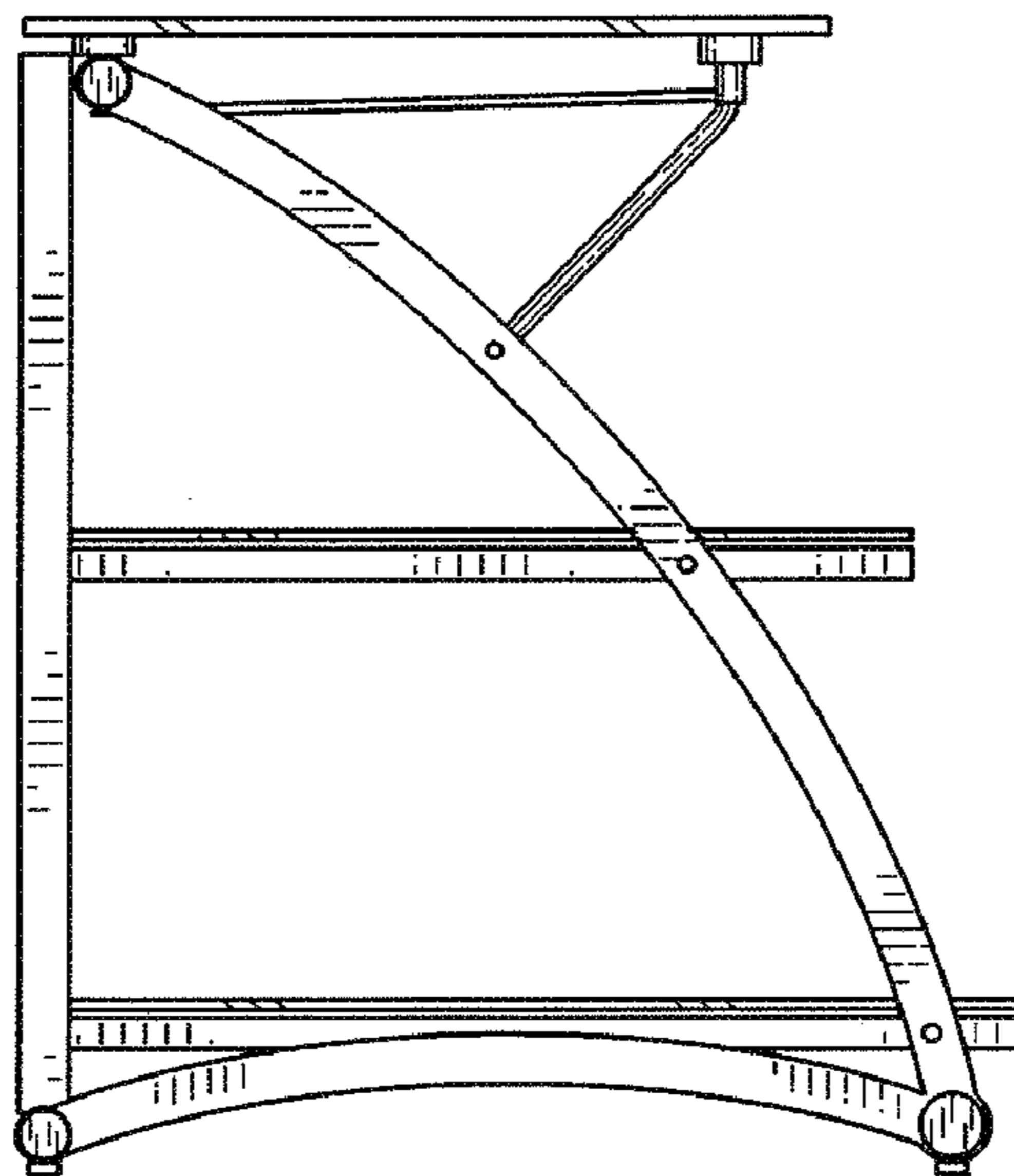


FIG. 5

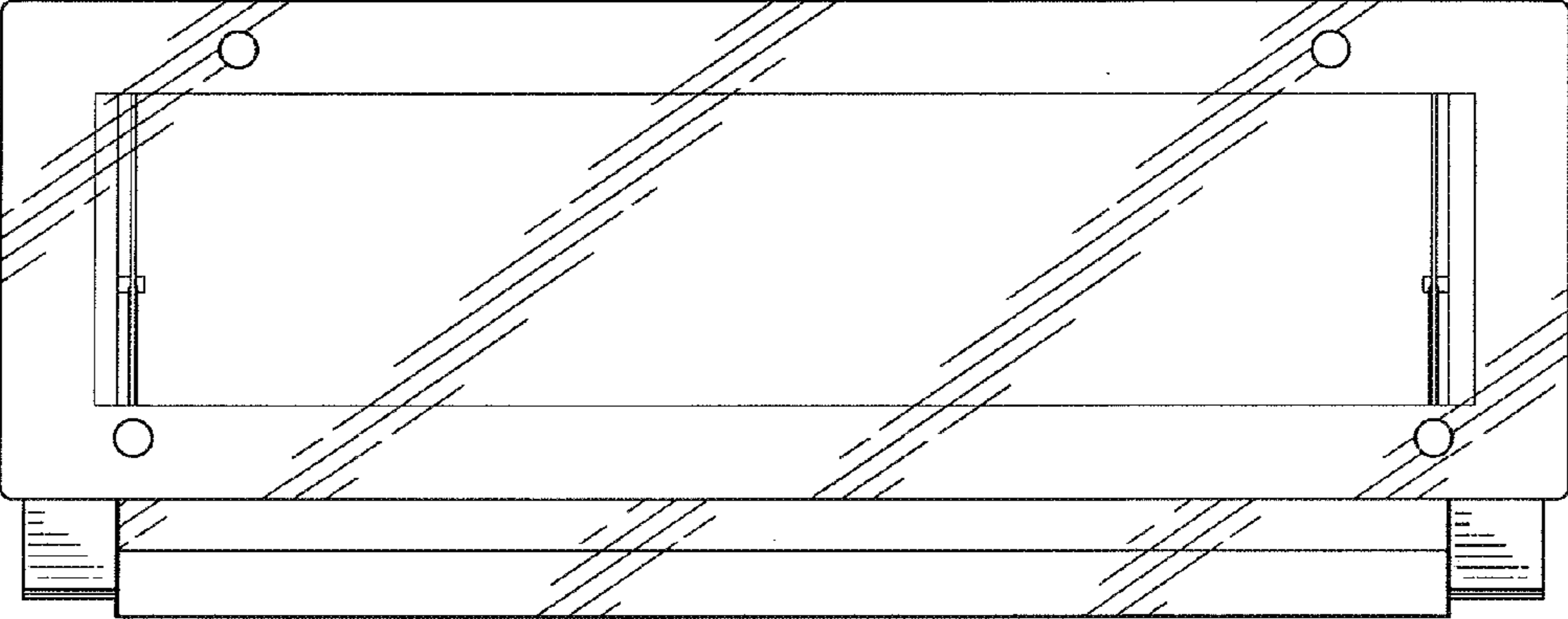


FIG. 6