



US00D671335S

(12) **United States Design Patent**  
**Nakao**

(10) **Patent No.:** **US D671,335 S**  
(45) **Date of Patent:** **\*\* Nov. 27, 2012**

(54) **ELECTRONIC PERCUSSION INSTRUMENT  
STAND**

(75) Inventor: **Koichi Nakao**, Hamamatsu (JP)

(73) Assignee: **Roland Corporation**, Hamamatsu (JP)

(\*\*) Term: **14 Years**

(21) Appl. No.: **29/391,028**

(22) Filed: **May 2, 2011**

(30) **Foreign Application Priority Data**

Nov. 16, 2010 (JP) ..... 2010-027488

(51) **LOC (9) Cl.** ..... **06-04**

(52) **U.S. Cl.** ..... **D6/462**

(58) **Field of Classification Search** ..... D6/396,  
D6/397, 449, 450, 454-470; 211/1, 13.1,  
211/85.6, 123, 181.1, 182, 183; D12/115;  
D17/22, 99; D20/10, 39, 41; 40/521; 84/411 R,  
84/421, 422.1, 746; 248/220.41; D8/376;  
318/361; 473/417

See application file for complete search history.

(56) **References Cited**

**U.S. PATENT DOCUMENTS**

684,674	A *	10/1901	Clark	160/402
727,454	A *	5/1903	Royce	119/534
4,841,830	A	6/1989	Yamashita	
D374,849	S *	10/1996	Chipman	D12/115
D389,038	S *	1/1998	Rosul	D8/376
5,787,620	A *	8/1998	Swanson et al.	40/521
D449,654	S *	10/2001	Petersen et al.	D20/39
D483,074	S *	12/2003	Strunk et al.	D20/41
D538,066	S *	3/2007	Wagner	D6/467
7,528,312	B1 *	5/2009	DiGiovanni	84/411 R
7,576,276	B2 *	8/2009	Hallerberg	84/421
D607,234	S *	1/2010	Chue	D6/466
D607,235	S *	1/2010	Chue	D6/466
D649,714	S *	11/2011	Key	D28/93
D656,179	S *	3/2012	Massimo	D17/22

D658,403	S *	5/2012	Nakao	D6/462
8,170,258	B1 *	5/2012	Wells	381/361
2009/0165630	A1 *	7/2009	Hallerberg	84/421
2012/0000345	A1 *	1/2012	Mori	84/422.1

**OTHER PUBLICATIONS**

Roland K-9 Kick Pad—Roland <http://www.rolandus.com/products/productdetails.php?ProductId=1149&ParentId=99> pulled from the web on Dec. 20, 2011.\*

DD506 (Medeli), medeliDD506.pdf photograph retrieved Oct. 8, 2010 from <http://www.medeli.com.hk/DD/DD506-large.jpg>.

(Continued)

*Primary Examiner* — Mary Ann Calabrese

(74) *Attorney, Agent, or Firm* — Foley & Lardner LLP

(57) **CLAIM**

We claim the ornamental design for an electronic percussion instrument stand, as shown and described.

**DESCRIPTION**

FIG. 1 is a front view of an electronic percussion instrument stand according to the claimed design;

FIG. 2 is a rear view of an electronic percussion instrument stand according to the claimed design;

FIG. 3 is a left side view of an electronic percussion instrument stand according to the claimed design;

FIG. 4 is a right side view of an electronic percussion instrument stand according to the claimed design;

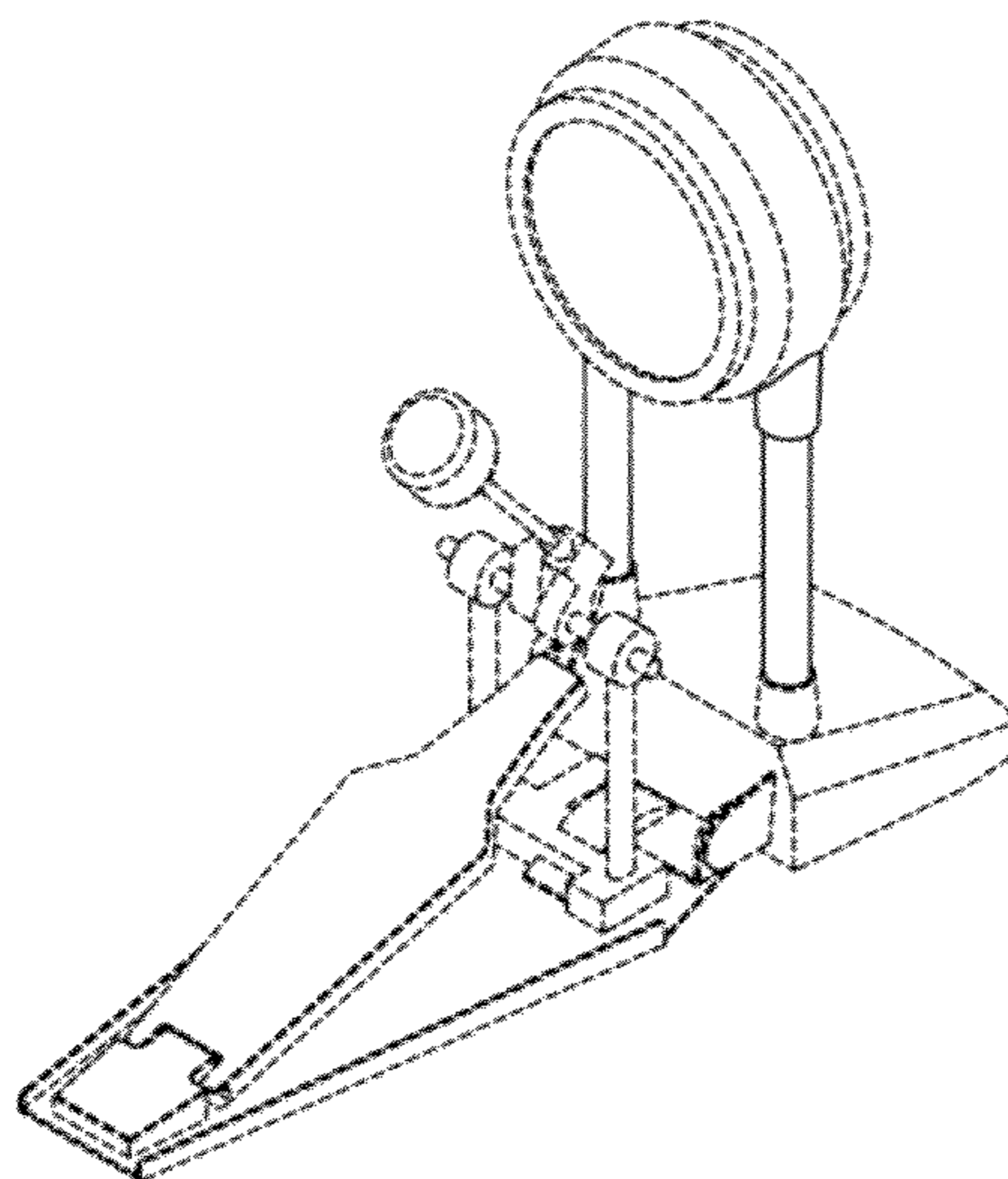
FIG. 5 is a top view of an electronic percussion instrument stand according to the claimed design;

FIG. 6 is a bottom view of an electronic percussion instrument stand according to the claimed design; and,

FIG. 7 is a perspective view of an electronic percussion instrument stand according to the claimed design.

The ornamental design which is claimed is shown in solid lines in the drawings. The broken lines in the drawings are for illustrative purposes only and form no part of the claimed design.

**1 Claim, 7 Drawing Sheets**



OTHER PUBLICATIONS

DM5 Pro Kit (Alesis), AL027\_1.pdf photograph retrieved Oct. 8, 2010 from [http://www.alesis.jp/products/dm5prokit/image/AL027\\_1.jpg](http://www.alesis.jp/products/dm5prokit/image/AL027_1.jpg).

DR-330(Tony Smith), TonySmith.pdf photograph retrieved Oct. 8, 2010 from [http://thumbnail.image.rakuten.co.jp/@0\\_mall/gak-kiten/cabinet/ikou/20100210\\_004/img10401450181.jpg](http://thumbnail.image.rakuten.co.jp/@0_mall/gak-kiten/cabinet/ikou/20100210_004/img10401450181.jpg).

DWCPPADBDSS (DW Drums), dw\_smpadbd\_1.pdf photograph retrieved Oct. 8, 2010 from [http://www.gatewaydrumline.com/shop/It/tp/img/dw\\_smpadbd\\_1.jpg](http://www.gatewaydrumline.com/shop/It/tp/img/dw_smpadbd_1.jpg).

DWCPPADBDSS (DW Drums), dw\_smpadbd\_2.pdf photograph retrieved Oct. 8, 2010 from [http://thumbnail.image.rakuten.co.jp/@0\\_gold/shiramusic/DW/Practice/DWCPPADBDSS.jpg](http://thumbnail.image.rakuten.co.jp/@0_gold/shiramusic/DW/Practice/DWCPPADBDSS.jpg).

DWCPPADTS5 (DW Drums) dw\_drums.pdf photograph retrieved Oct. 8, 2010 from [http://thumbnail.image.rakuten.co.jp/@0\\_mall/key/cabinet/itemimg05/img55460568.jpg](http://thumbnail.image.rakuten.co.jp/@0_mall/key/cabinet/itemimg05/img55460568.jpg).

Pearl Bass Drum Pad BD-10.pdf photograph retrieved Oct. 8, 2010 from [http://thumbnail.image.rakuten.co.jp/@0\\_mall/auc-grooves/cabinet/2009329/pearl\\_bd10\\_m.jpg](http://thumbnail.image.rakuten.co.jp/@0_mall/auc-grooves/cabinet/2009329/pearl_bd10_m.jpg).

Roland Products, Electronic Drums KD-120.pdf photograph retrieved Oct. 8, 2010 from [http://www.roland.co.jp/products/jp/KD-120/images/top\\_L.jpg](http://www.roland.co.jp/products/jp/KD-120/images/top_L.jpg).

Roland Products, Electronic Drums KD-140.pdf photograph retrieved Oct. 8, 2010 from [http://www.roland.co.jp/products/jp/KD-140/images/top\\_L.jpg](http://www.roland.co.jp/products/jp/KD-140/images/top_L.jpg).

Roland Products, Electronic Drums KD-8.pdf photograph retrieved Oct. 8, 2010 from [http://www.roland.co.jp/products/jp/KD-8/images/top\\_L.jpg](http://www.roland.co.jp/products/jp/KD-8/images/top_L.jpg).

Roland Products, Electronic Drums KD-85.pdf photograph retrieved Oct. 8, 2010 from [http://www.roland.co.jp/products/jp/KD-85/images/top\\_L.jpg](http://www.roland.co.jp/products/jp/KD-85/images/top_L.jpg).

TD502 (Chamberlain Music), ChamberlainMusic.pdf photograph retrieved Oct. 8, 2010 from <http://chamberlainmusic.com/images/products1/TD502.png>.

TD-5CST (Maxtone), MaxTone.pdf photograph retrieved Oct. 8, 2010 from [http://thumbnail.image.rakuten.co.jp/@0\\_mall/gak-kiwatanabe/cabinet/ikou\\_20100312/img1041872159.jpg](http://thumbnail.image.rakuten.co.jp/@0_mall/gak-kiwatanabe/cabinet/ikou_20100312/img1041872159.jpg).

TDR6(Fukuyama Musical Instrument Center), tdr6.pdf photograph retrieved Oct. 8, 2010 from <http://www.merry-net.com/Im/drums/trainingdr/img/tdr6-2.jpg>.

Thomann, thomannHQ photograph retrieved Oct. 8, 2010 from [http://images1.thomann.de/pics/bdb/220469/1107486\\_800.jpg](http://images1.thomann.de/pics/bdb/220469/1107486_800.jpg).

TPP-35 (Tony Smith), TonySmith\_tpp-35.pdf photograph retrieved Oct. 8, 2010 from [http://thumbnail.image.rakuten.co.jp/@0\\_mall/merry-net/cabinet/rhythm/tpp-35.jpg](http://thumbnail.image.rakuten.co.jp/@0_mall/merry-net/cabinet/rhythm/tpp-35.jpg).

Yamaha, KP-65-1.pdf photograph retrieved Oct. 8, 2010 from <http://jp.yamaha.com/products/musical-instruments/drums/el-drums/kick-pads/kp65/?mode=model>.

Yamaha, TSO1B.pdf photograph retrieved Oct. 8, 2010 from <http://jp.yamaha.com/products/musical-instruments/drums/trainingpads/ts01b/?mode=enlarge&keepThis=true&>.

Yamaha, KP-125-1.pdf photograph retrieved Oct. 8, 2010 from <http://jp.yamaha.com/products/musical-instruments/drums/el-drums/kick-pads/kp125w/?mode=enlarge&keepThis=true>.

Yamaha, KP-125-2.pdf photograph retrieved Oct. 8, 2010 from <http://jp.yamaha.com/products/musical-instruments/drums/el-drums/kick-pads/kp125w/?mode=enlarge&keepThis=true>.

Yamaha, KP-65-2.pdf photograph retrieved Oct. 8, 2010 from <http://jp.yamaha.com/products/musical-instruments/drums/el-drums/kick-pads/kp65/?mode=model>.

Yamaha, KP-65-3.pdf photograph retrieved Oct. 8, 2010 from <http://jp.yamaha.com/products/musical-instruments/drums/el-drums/kick-pads/kp65/?mode=model>.

\* cited by examiner

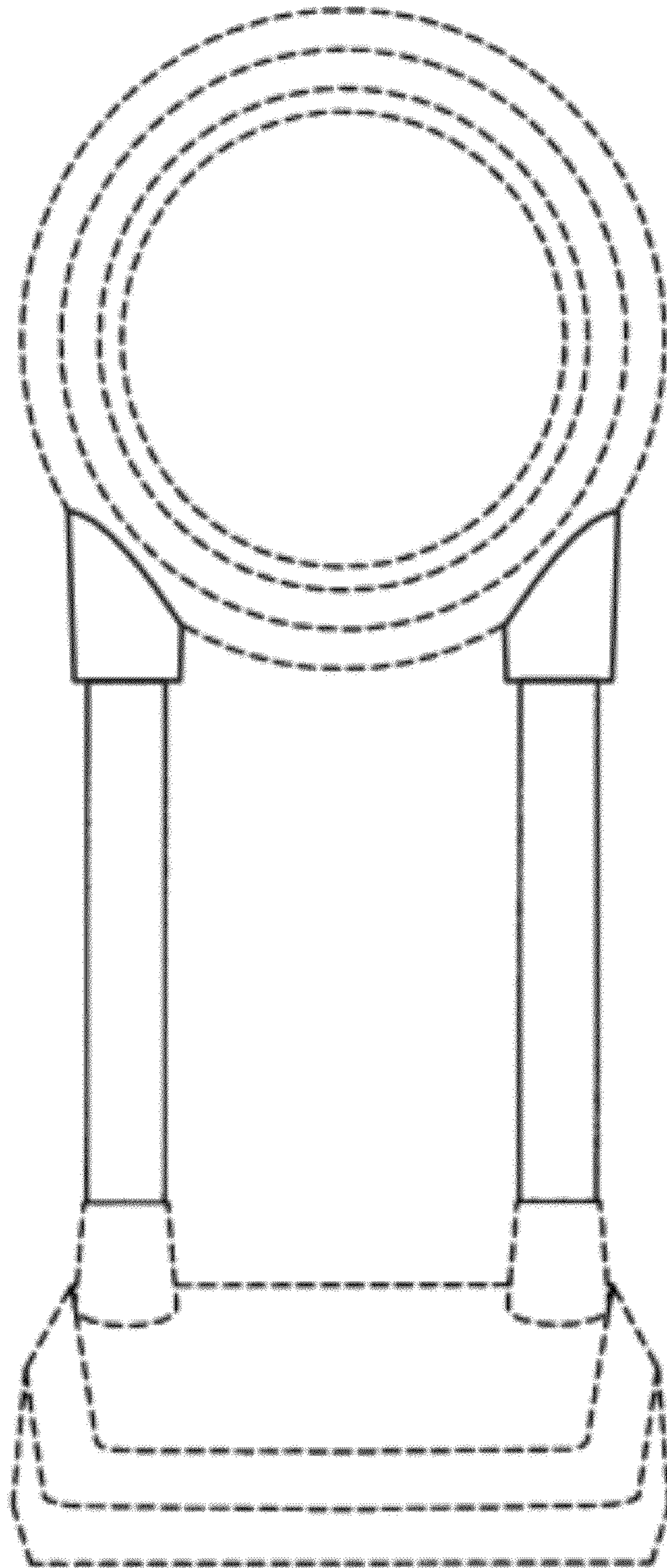


FIG. 1

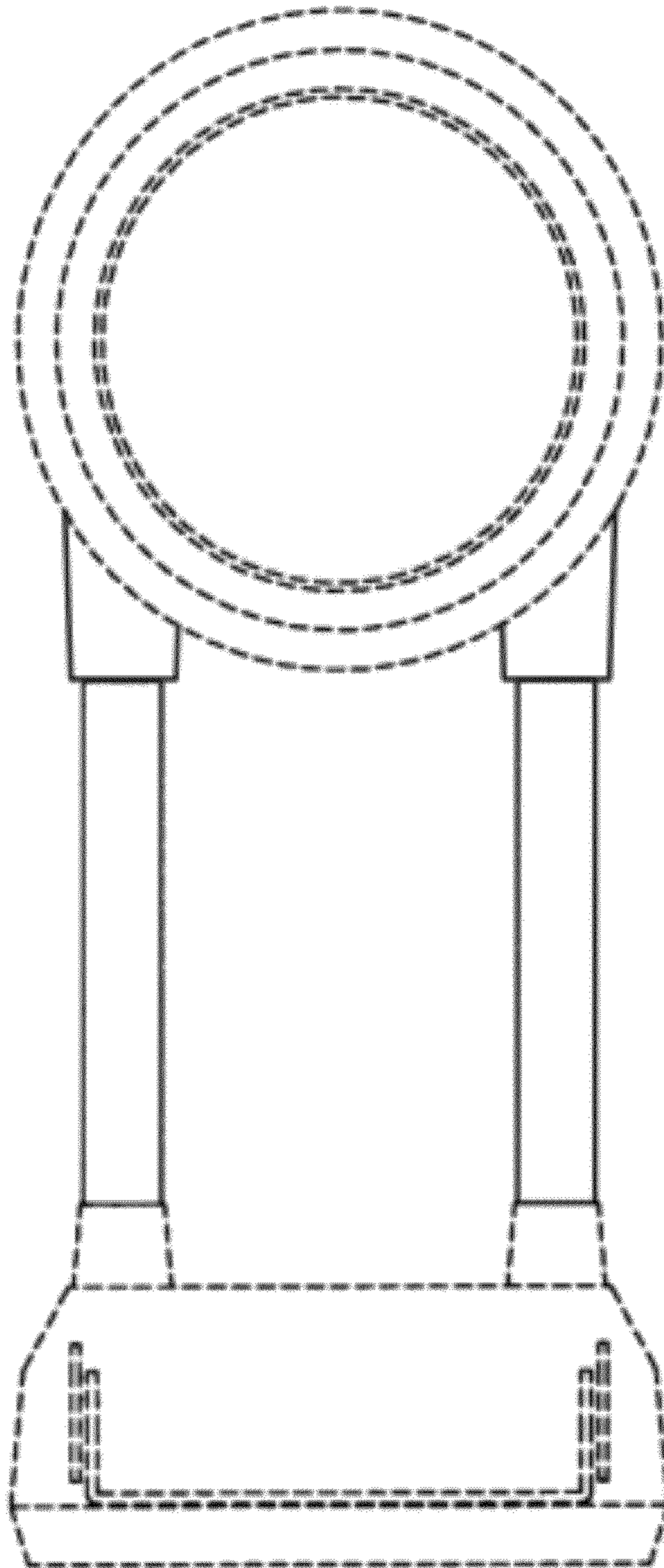


FIG. 2

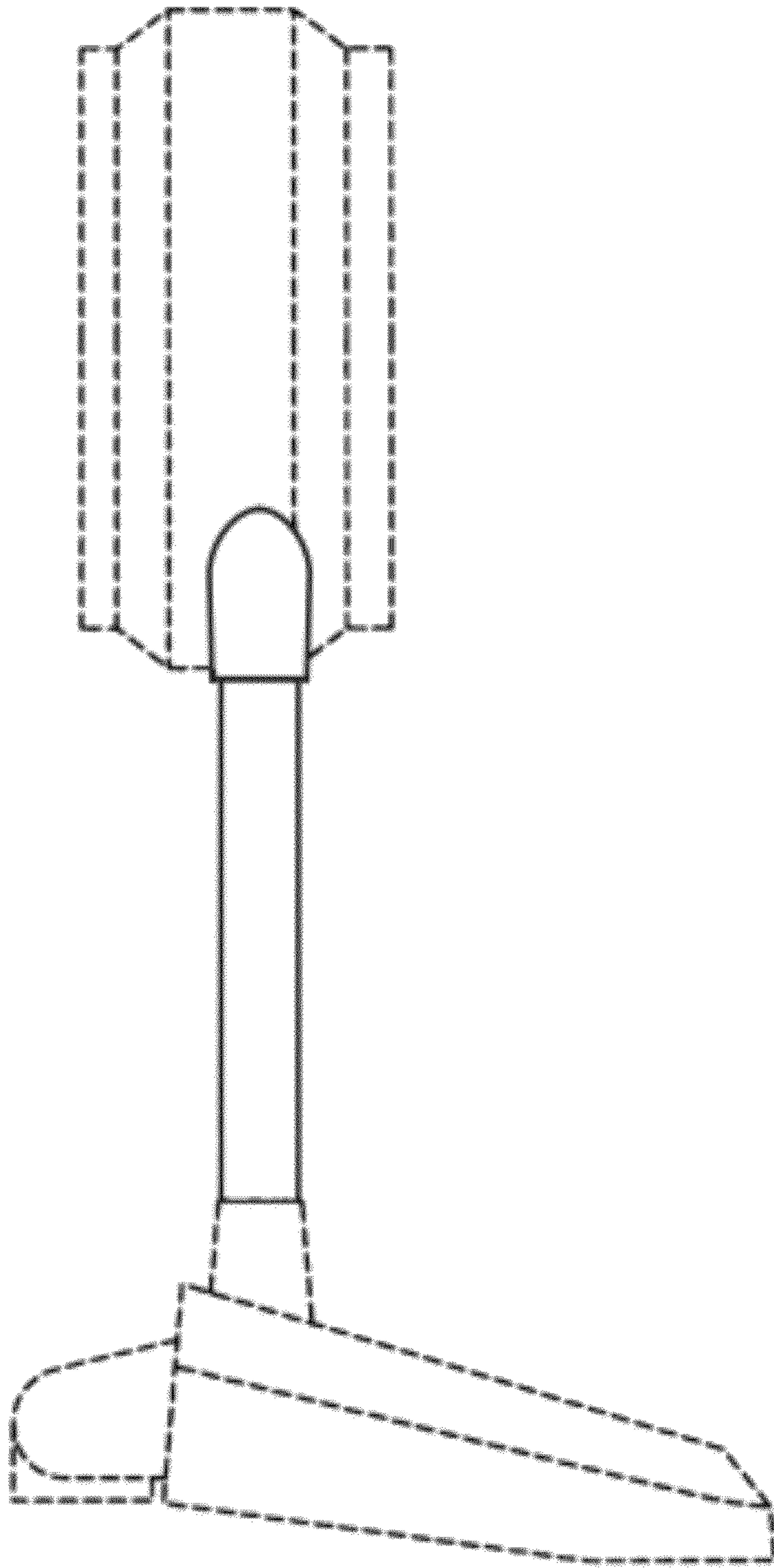


FIG. 3

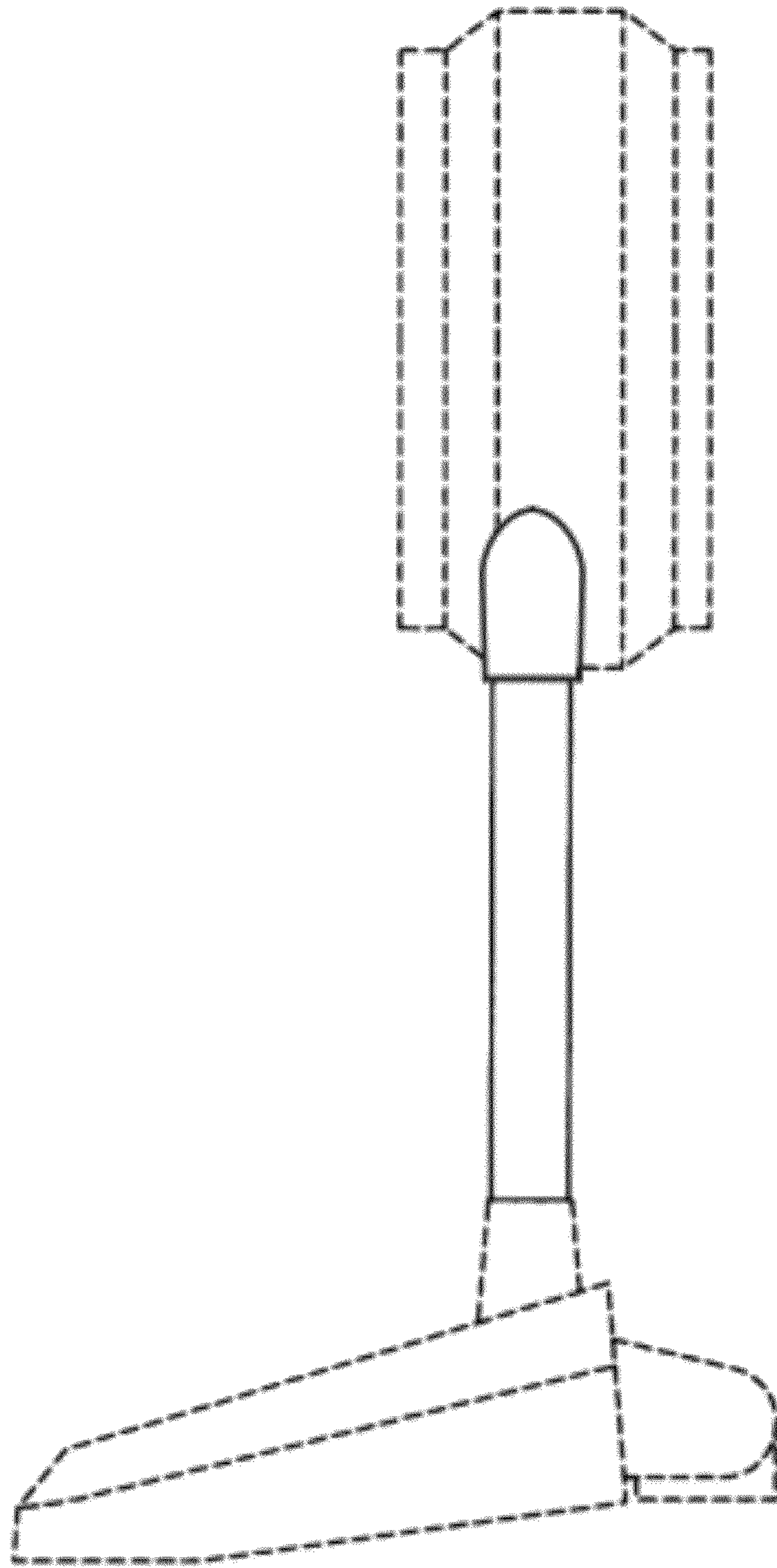


FIG. 4

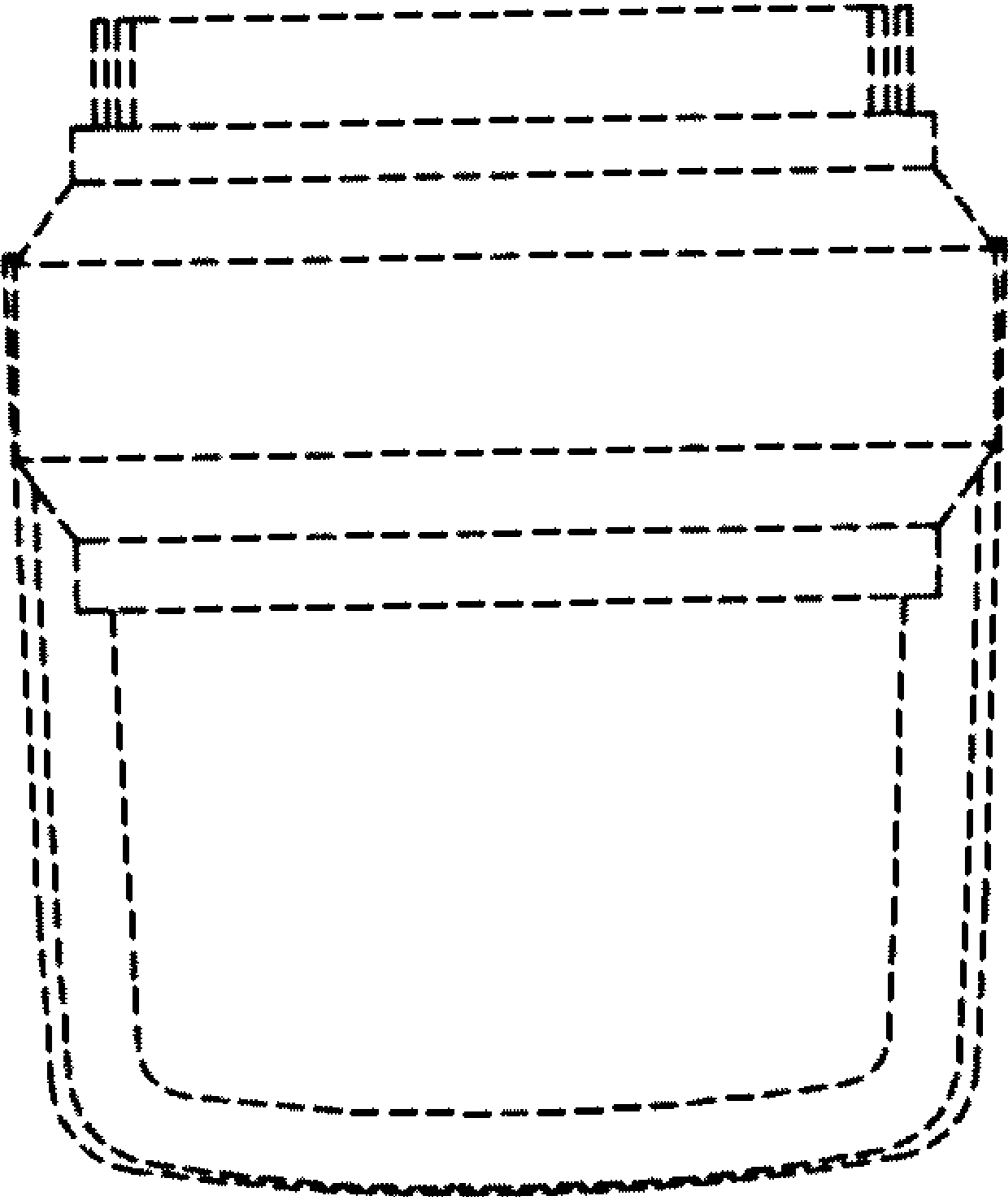


FIG. 5

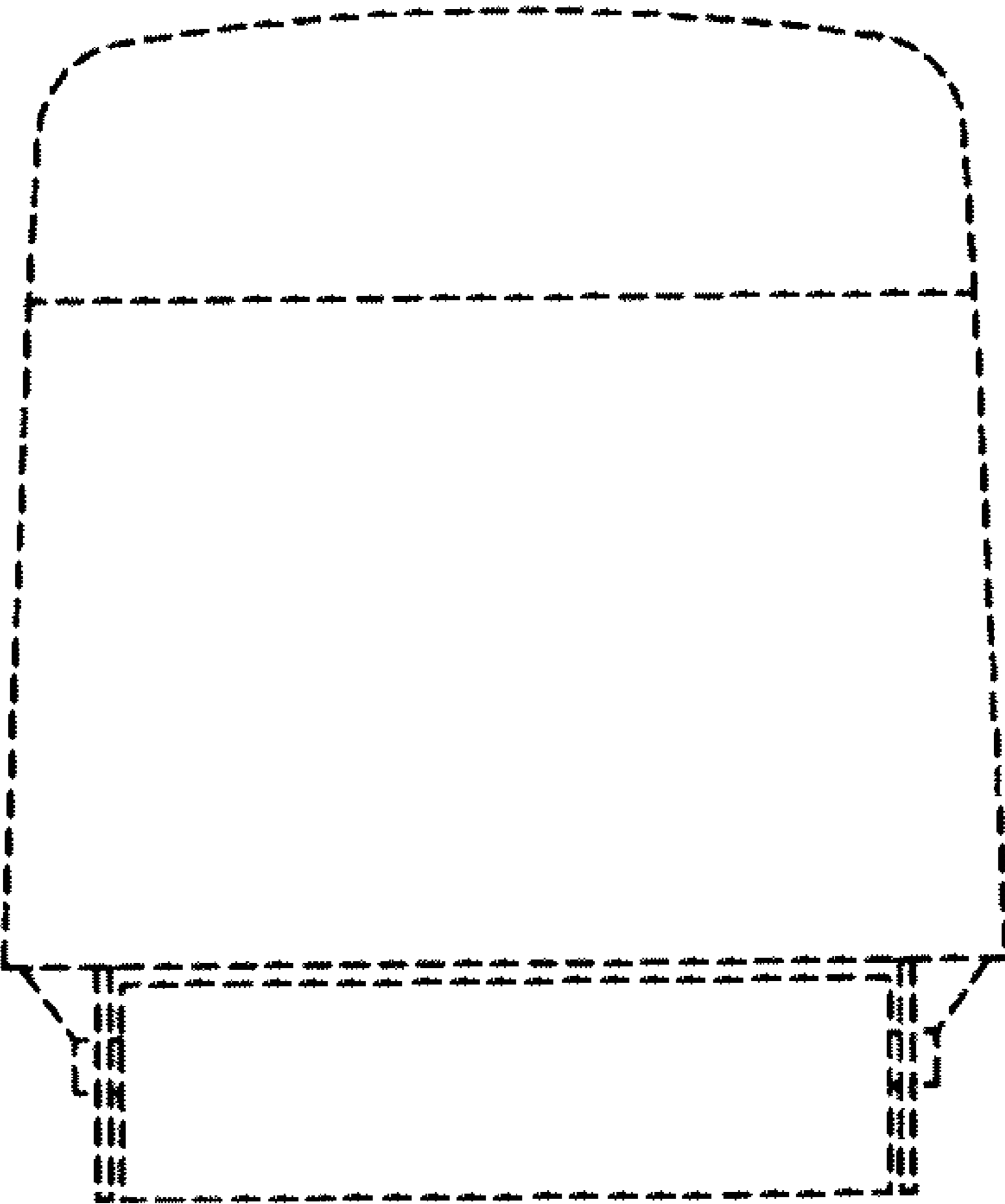


FIG. 6



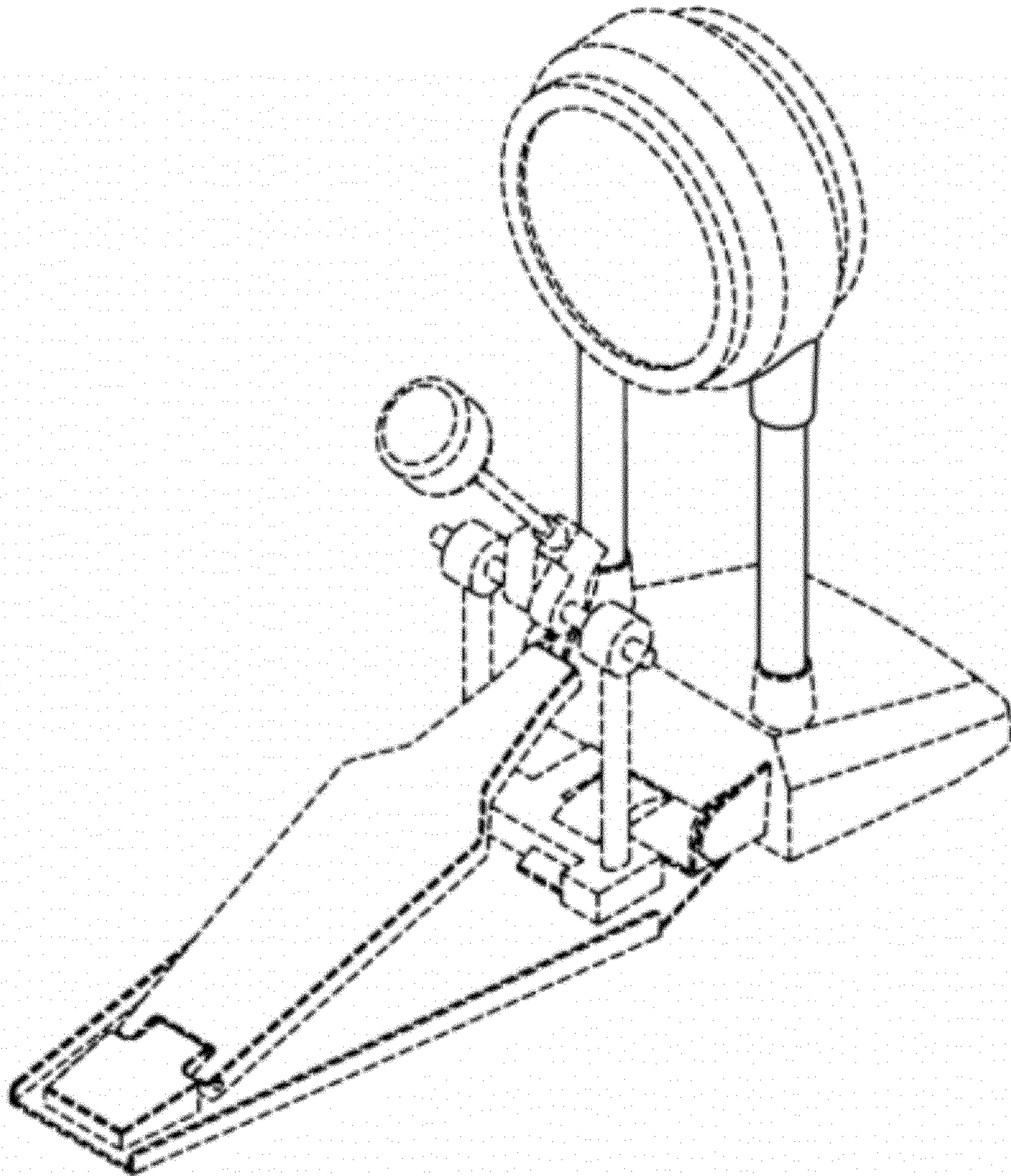


FIG. 7