



US00D671334S

(12) **United States Design Patent**
Levi et al.

(10) **Patent No.:** **US D671,334 S**
(45) **Date of Patent:** **** Nov. 27, 2012**

(54) **MULTI-LEVEL DISPLAY TABLE**

(76) Inventors: **E. Alain Levi**, Los Angeles, CA (US);
Thomas Reistetter, Los Angeles, CA (US)

(**) Term: **14 Years**

(21) Appl. No.: **29/386,271**

(22) Filed: **Feb. 25, 2011**

(51) **LOC (9) Cl.** **06-04**

(52) **U.S. Cl.** **D6/396**

(58) **Field of Classification Search** D6/449,
D6/467, 432, 436-439, 461-469, 474, 470-472,
D6/477-479, 396, 399, 411; 211/13.1, 85.1,
211/85.2, 134; D3/903; 108/92-93

See application file for complete search history.

(56) **References Cited**

U.S. PATENT DOCUMENTS

D195,184 S *	5/1963	Gelles	D6/411
D291,036 S *	7/1987	Scarpa et al.	D6/399
D300,289 S *	3/1989	Walter	D6/411
D582,176 S *	12/2008	Hardy et al.	D6/467

* cited by examiner

Primary Examiner — Philip S Hyder

Assistant Examiner — Sydney Buffalow

(74) *Attorney, Agent, or Firm* — Trojan Law Offices

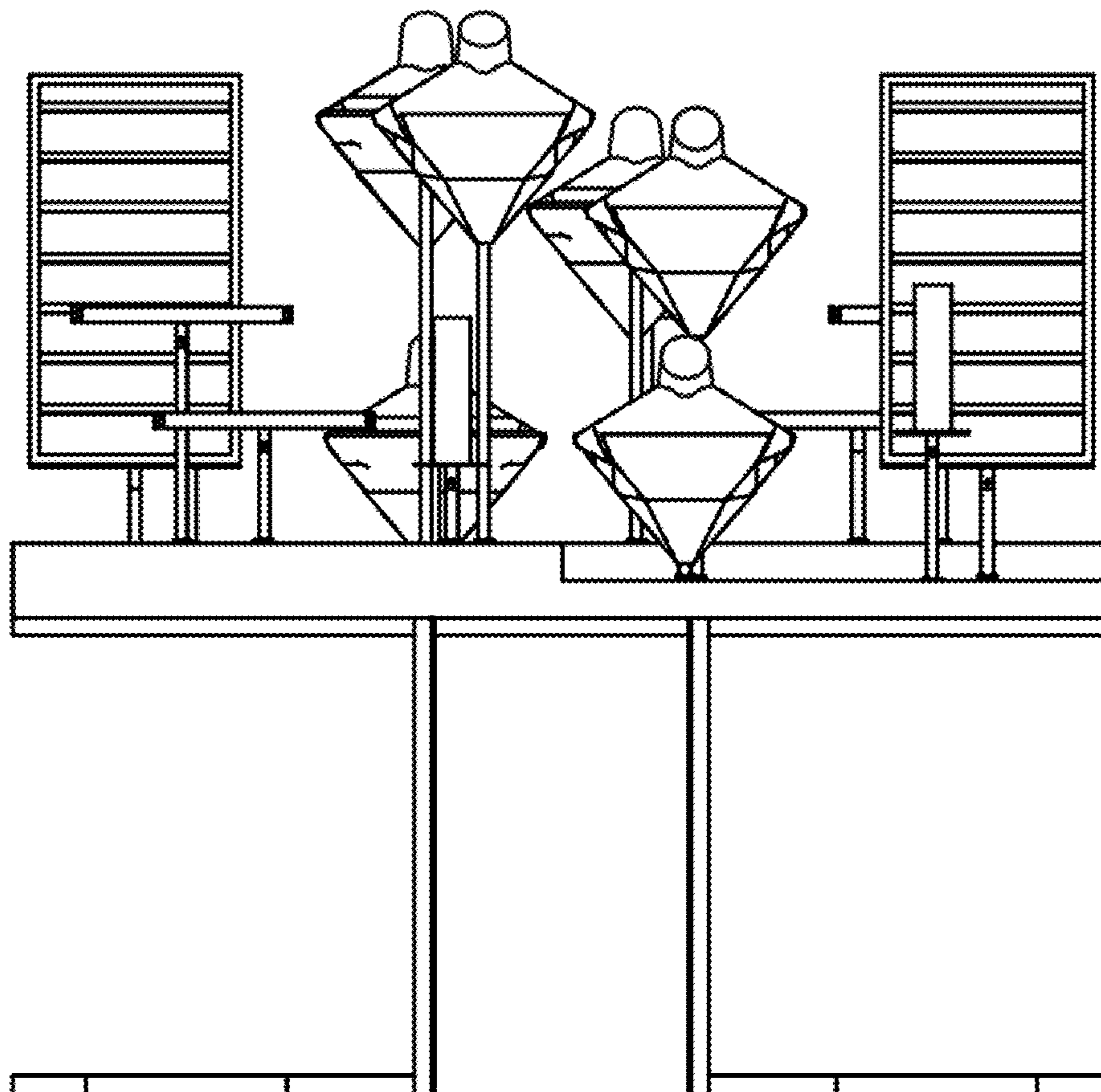
(57) **CLAIM**

The ornamental design for a multi-level display table, as shown and described.

DESCRIPTION

FIG. 1 is a front view of a multi-level display table showing my new design;
FIG. 2 is a top view of the multi-level display table shown in FIG. 1;
FIG. 3 is a side view of the multi-level display table shown in FIG. 1; and,
FIG. 4 is a perspective view of the multi-level display table shown in FIG. 1.
The sides of the neck/upper torso displays of the multi-level display table are faceted.

1 Claim, 2 Drawing Sheets



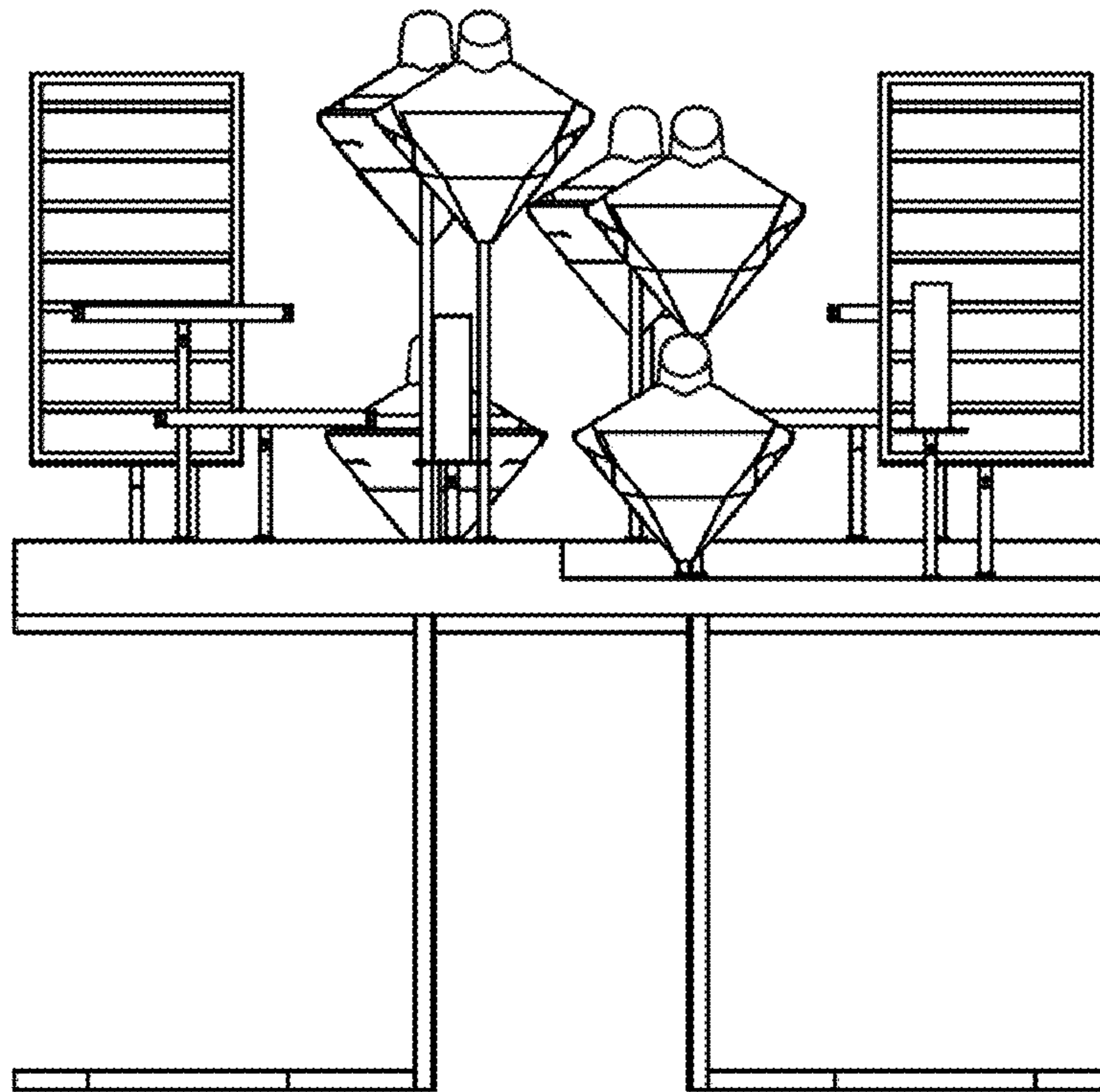


Fig. 1

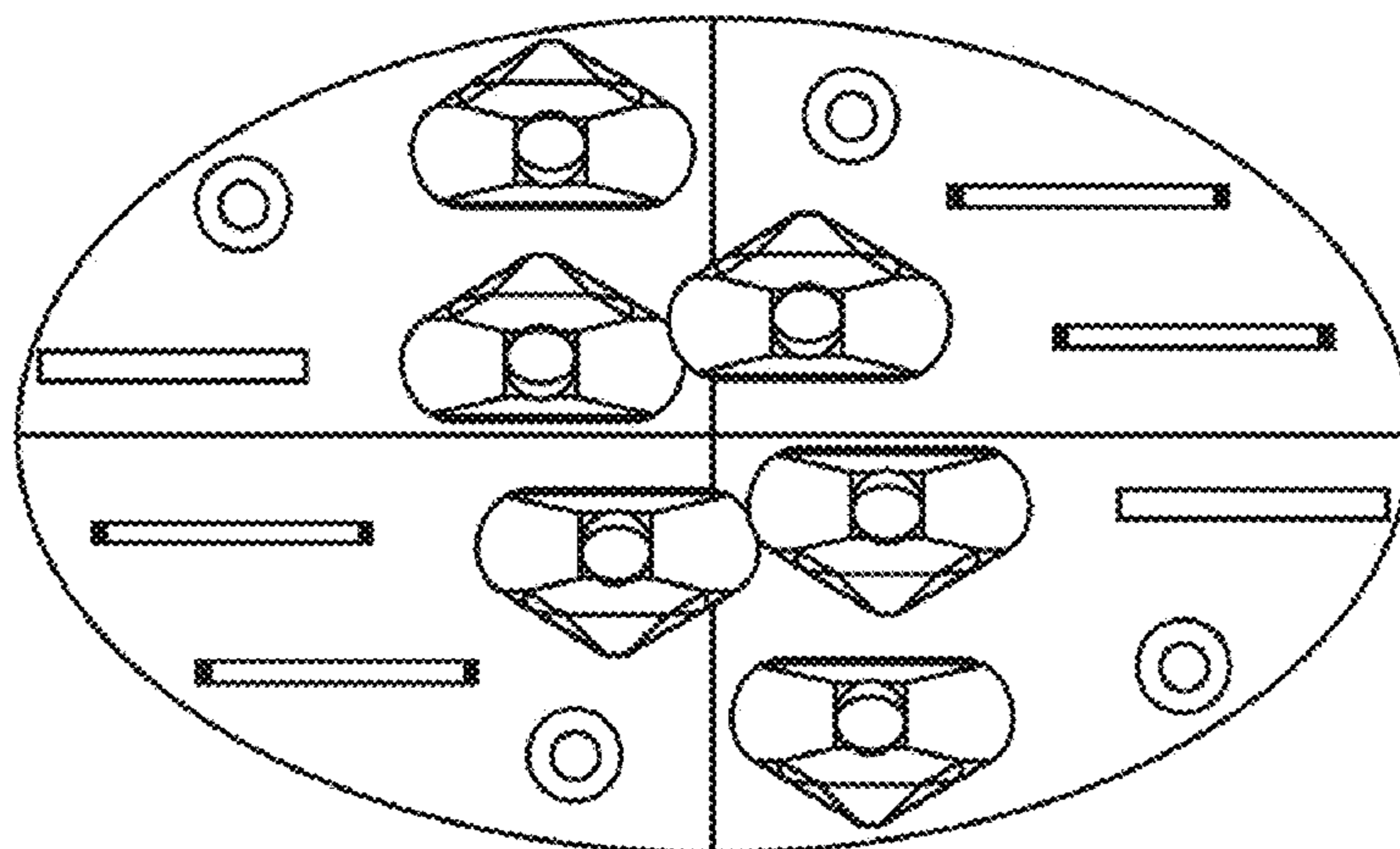


Fig. 2

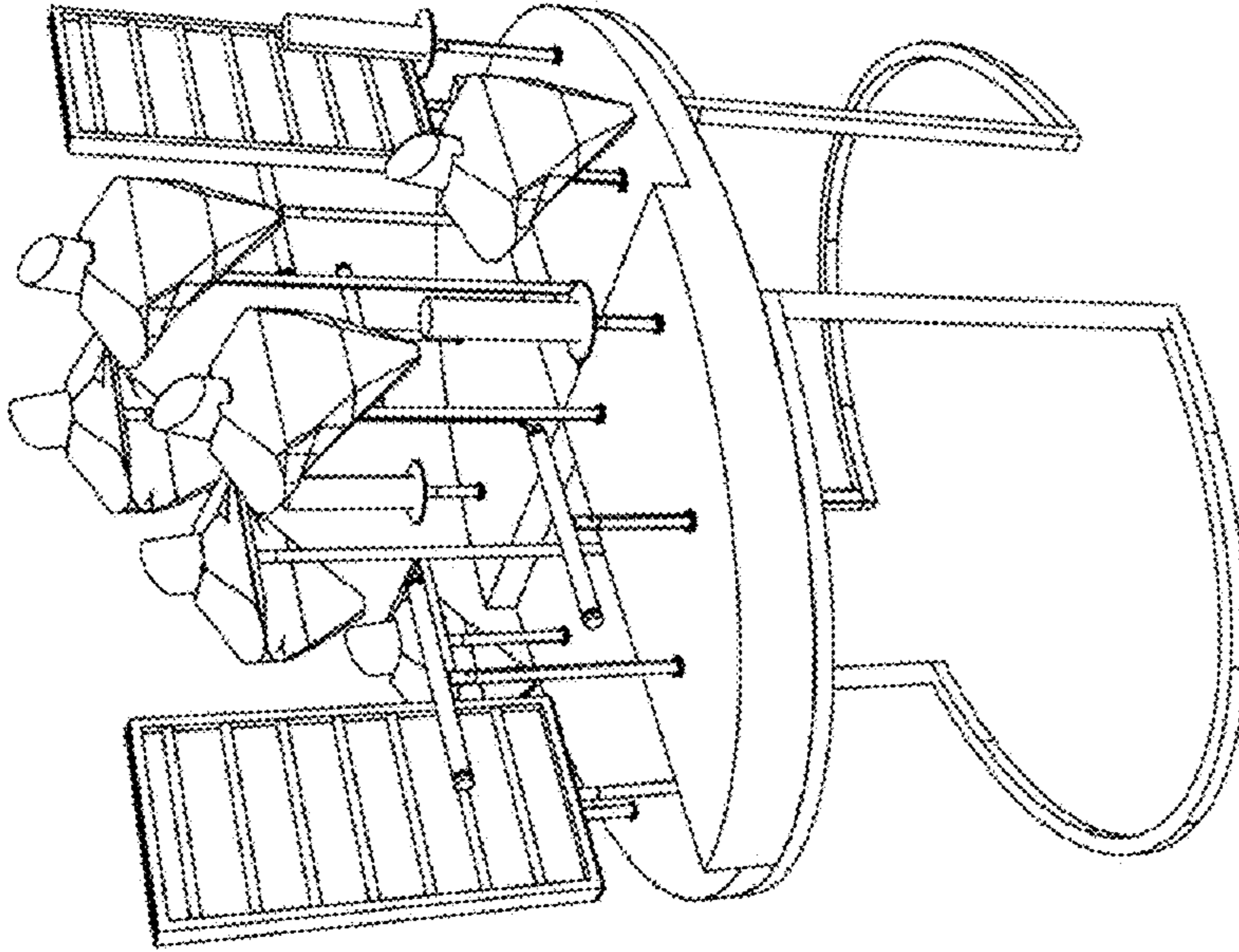


Fig. 4

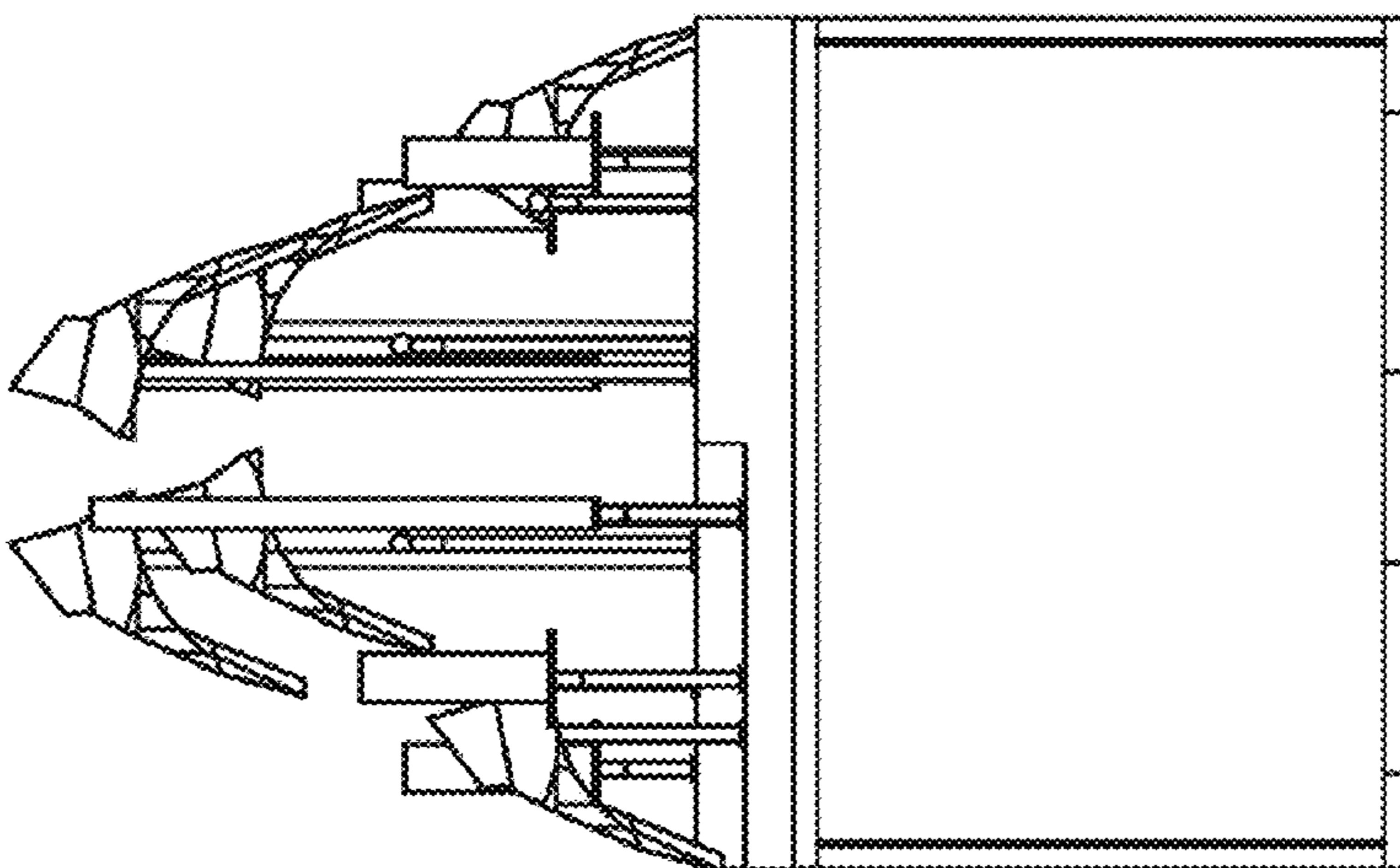


Fig. 3