



US00D671332S

(12) **United States Design Patent**  
**Izawa**

(10) **Patent No.:** **US D671,332 S**  
(45) **Date of Patent:** **\*\* Nov. 27, 2012**

(54) **CHAIR**

(75) Inventor: **Syouichi Izawa**, Tokyo (JP)

(73) Assignee: **Okamura Corporation**, Kanagawa-ken (JP)

(\*\*) Term: **14 Years**

(21) Appl. No.: **29/395,140**

(22) Filed: **Dec. 2, 2011**

(30) **Foreign Application Priority Data**

Jun. 3, 2011 (JP) ..... 2011-012619

(51) **LOC (9) Cl.** ..... **06-01**

(52) **U.S. Cl.** ..... **D6/366**

(58) **Field of Classification Search** ..... D6/334-336,  
D6/364, 365, 366, 367, 368, 379, 380, 498,  
D6/500-502; 297/411.27, 452.13, 452.21,  
297/452.24, 452.26, 452.29, 452.3, 452.46,  
297/452.48, 452.56

See application file for complete search history.

(56) **References Cited**

U.S. PATENT DOCUMENTS

D528,811 S *	9/2006	Giugiaro .....	D6/366
D558,995 S *	1/2008	Igarashi .....	D6/366
D559,572 S *	1/2008	Igarashi .....	D6/366
D649,795 S	12/2011	Izawa .....	
D662,330 S *	6/2012	Tanaka et al. ....	D6/366
D665,589 S *	8/2012	Wagner .....	D6/366

\* cited by examiner

*Primary Examiner* — Mimoso De

(74) *Attorney, Agent, or Firm* — Carrier Blackman & Associates, P.C.; Joseph P. Carrier; William D. Blackman

(57) **CLAIM**

The ornamental design for a chair, as shown and described.

**DESCRIPTION**

FIG. 1 is a front perspective view of top, front and left side of a chair showing my new design;  
FIG. 2 is a rear perspective view of top, rear and right side thereof;  
FIG. 3 is a front view thereof;  
FIG. 4 is a rear view thereof;  
FIG. 5 is a left side view thereof;  
FIG. 6 is a right side view thereof;  
FIG. 7 is a top view thereof; and,  
FIG. 8 is a bottom view thereof.

**1 Claim, 4 Drawing Sheets**



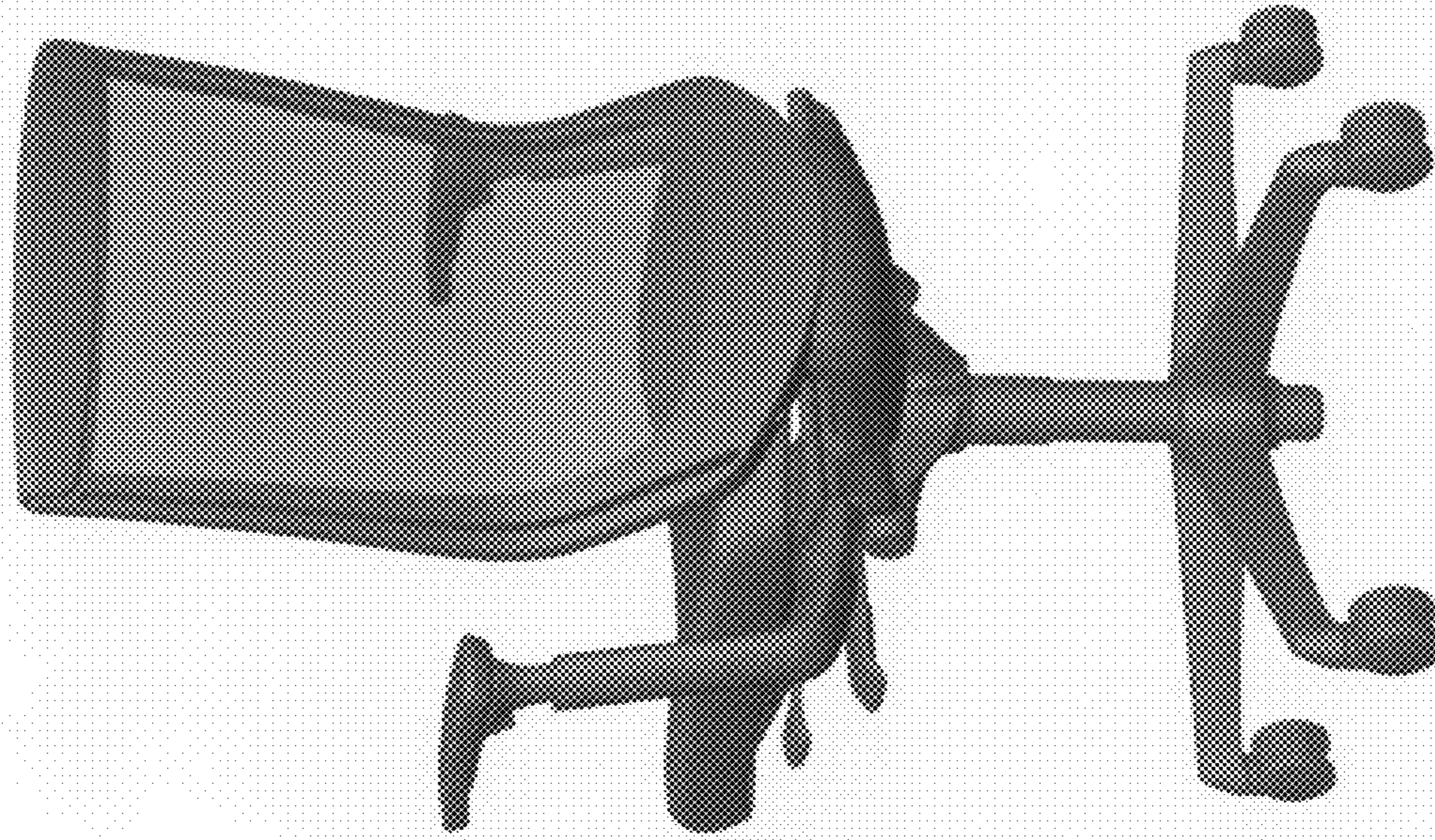


FIG. 2

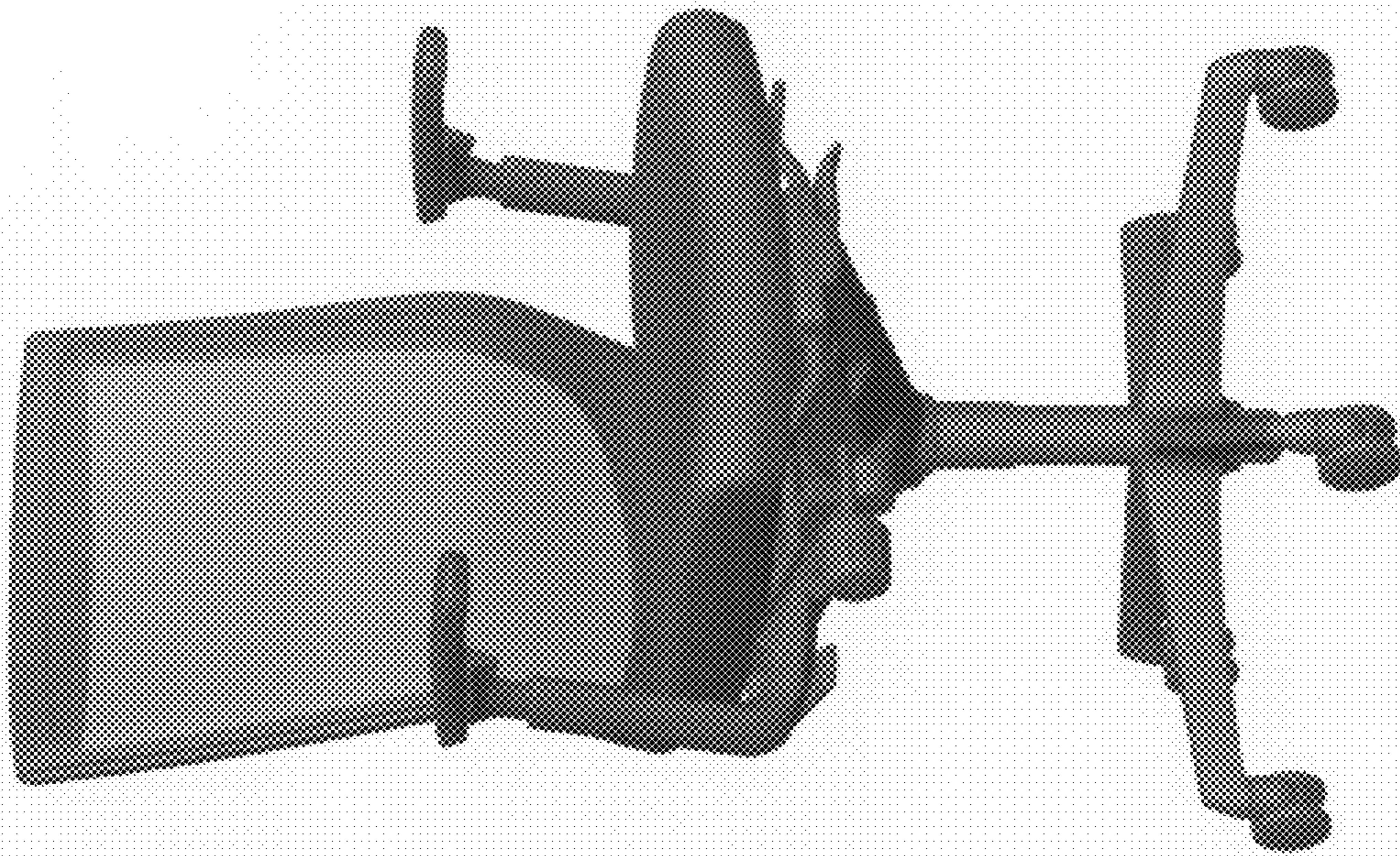


FIG. 1

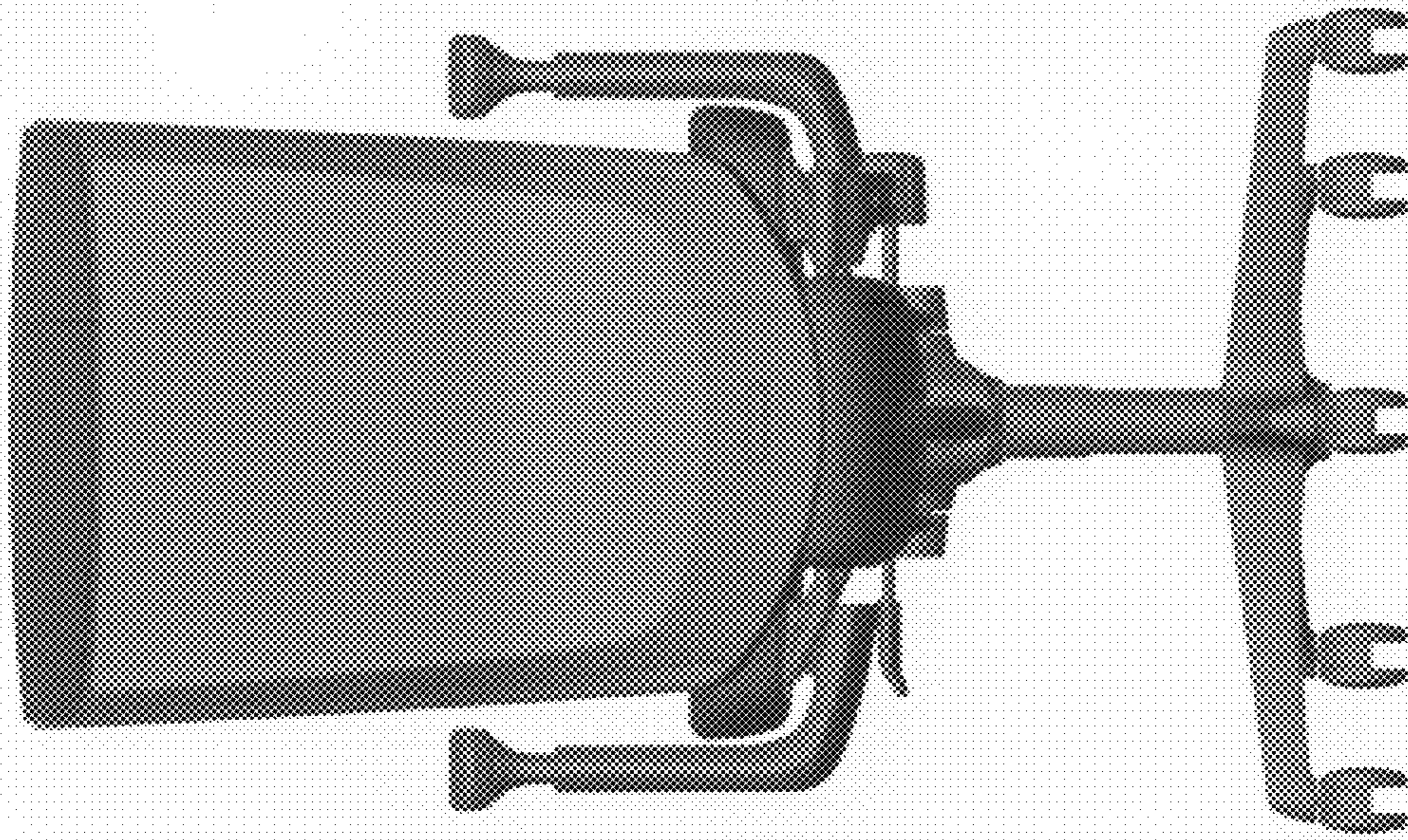


FIG. 4

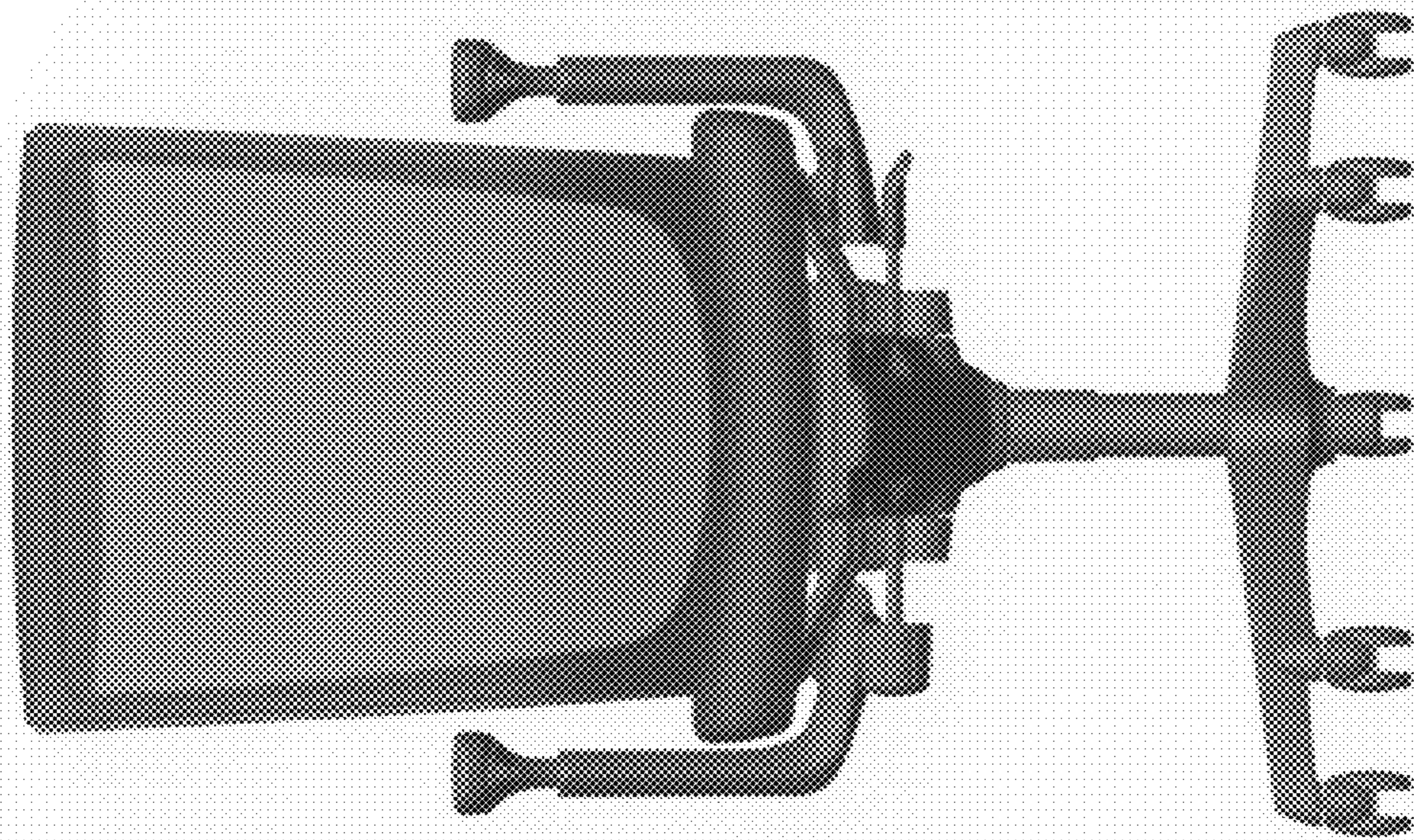


FIG. 3

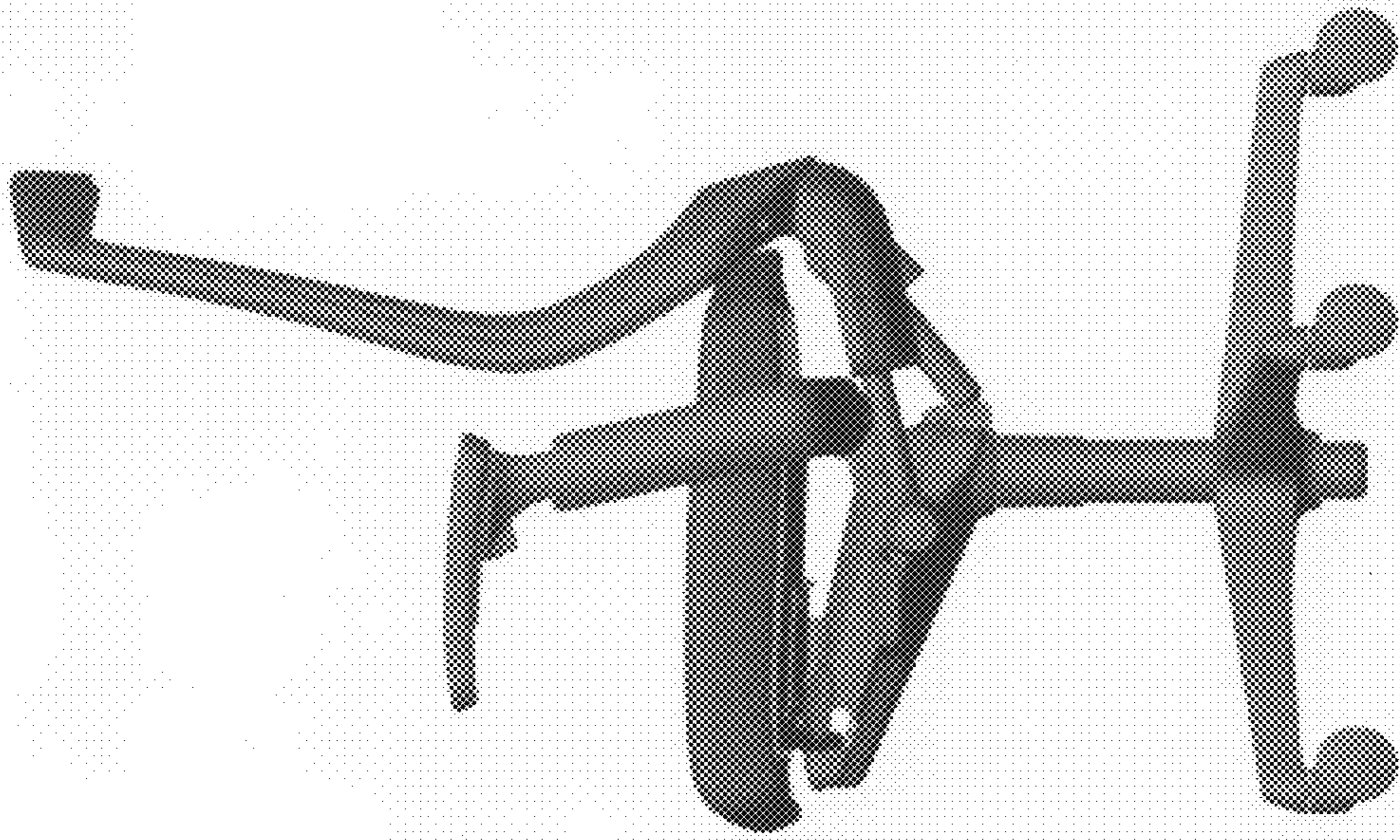


FIG. 6

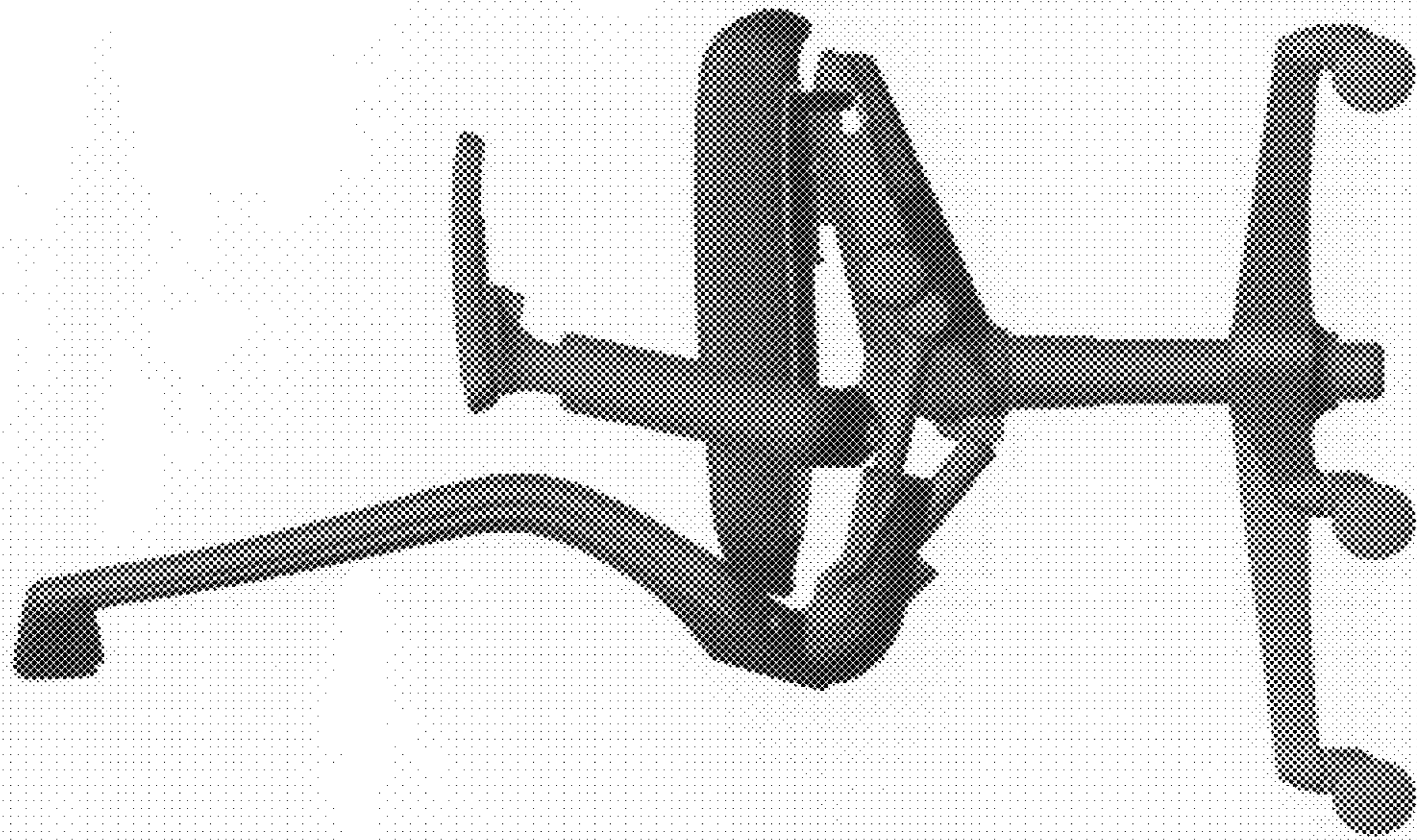


FIG. 5

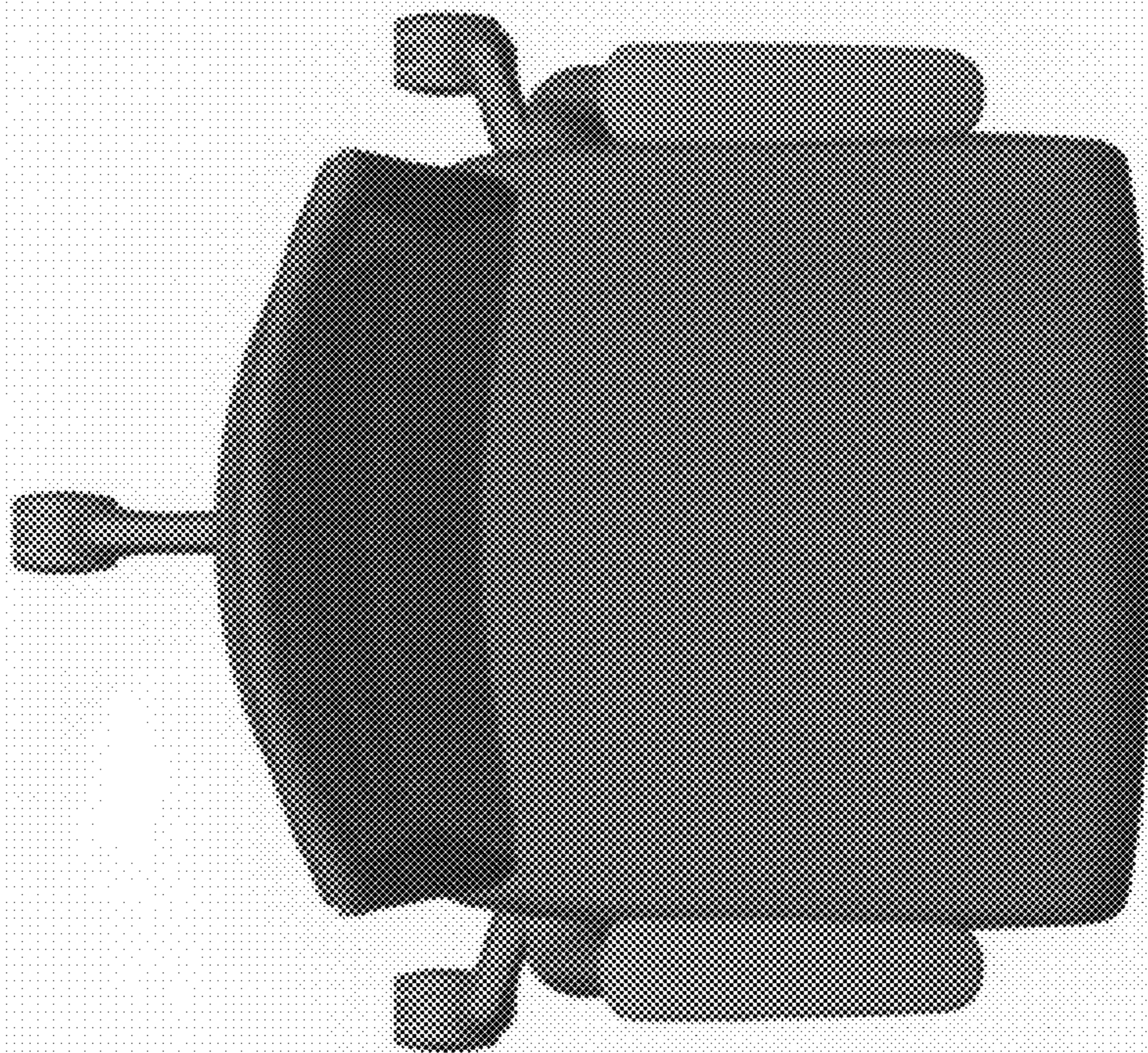


FIG. 7

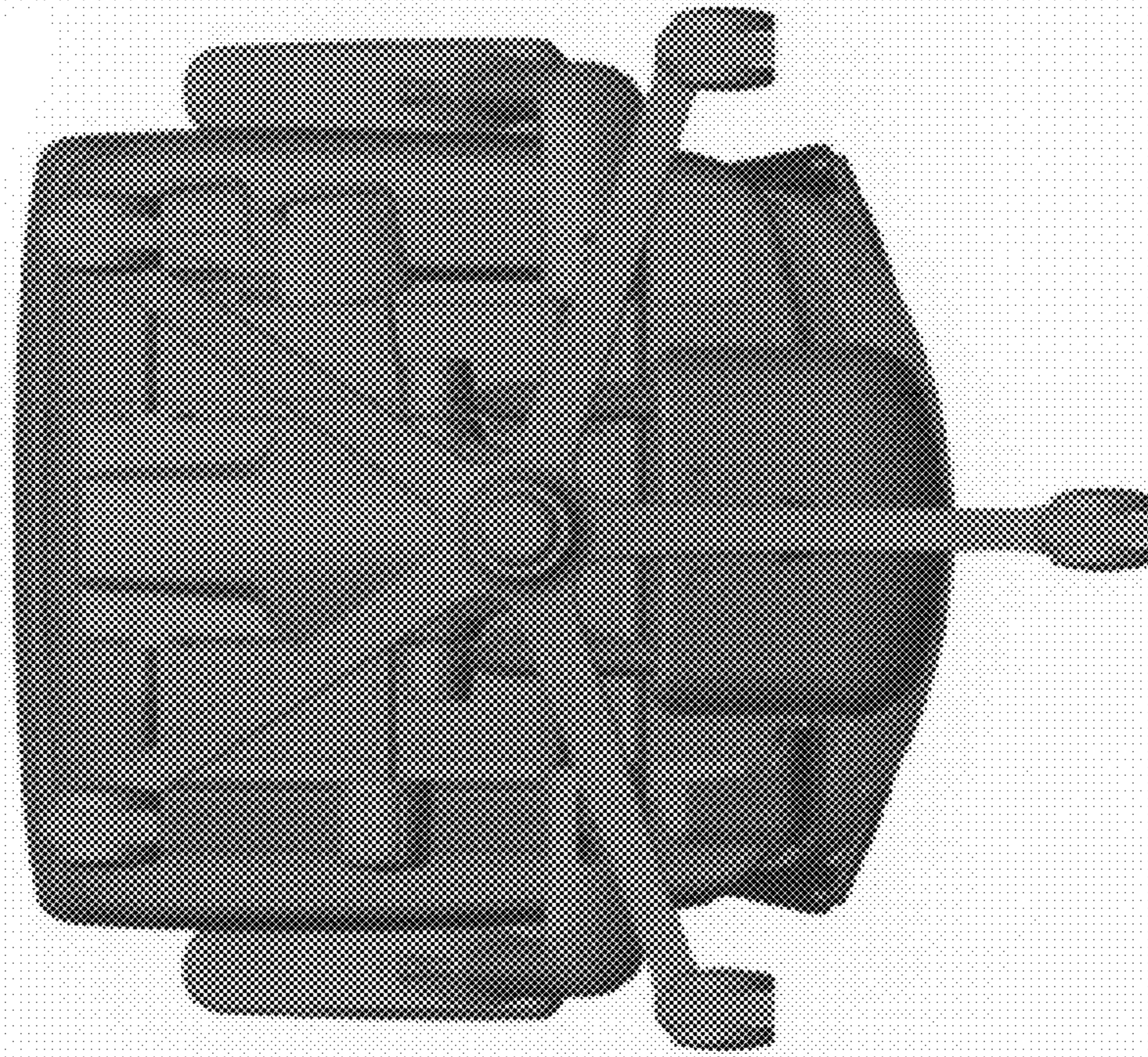


FIG. 8