

US00D671331S

(12) **United States Design Patent**  
**Izawa**

(10) **Patent No.:** **US D671,331 S**  
(45) **Date of Patent:** **\*\* Nov. 27, 2012**

(54) **CHAIR**

(75) Inventor: **Syouichi Izawa**, Tokyo (JP)

(73) Assignee: **Okamura Corporation**, Kanagawa-ken (JP)

(\*\*) Term: **14 Years**

(21) Appl. No.: **29/395,139**

(22) Filed: **Dec. 2, 2011**

(30) **Foreign Application Priority Data**

Jun. 3, 2011 (JP) ..... 2011-012618

(51) **LOC (9) Cl.** ..... **06-01**

(52) **U.S. Cl.** ..... **D6/366**

(58) **Field of Classification Search** ..... D6/334-336,  
D6/364, 365, 366, 367, 368, 379, 380, 498,  
D6/500-502; 297/411.27, 452.13, 452.21,  
297/452.24, 452.26, 452.29, 452.3, 452.46,  
297/452.48, 452.56

See application file for complete search history.

(56) **References Cited**

**U.S. PATENT DOCUMENTS**

D528,811 S \* 9/2006 Giugiaro ..... D6/366  
D543,369 S \* 5/2007 Hara ..... D6/366

D558,995 S \* 1/2008 Igarashi ..... D6/366  
D558,998 S \* 1/2008 Hara ..... D6/366  
D559,572 S \* 1/2008 Igarashi ..... D6/366  
D648,552 S 11/2011 Izawa  
D662,330 S \* 6/2012 Tanaka et al. .... D6/366  
D665,589 S \* 8/2012 Wagner ..... D6/366

\* cited by examiner

*Primary Examiner* — Mimoso De

(74) *Attorney, Agent, or Firm* — Carrier Blackman & Associates, P.C.; Joseph P. Carrier; William D. Blackman

(57) **CLAIM**

The ornamental design for a chair, as shown and described.

**DESCRIPTION**

FIG. 1 is a front perspective view of top, front and left side of a chair showing my new design;

FIG. 2 is a rear perspective view of top, rear and right side thereof;

FIG. 3 is a front view thereof;

FIG. 4 is a rear view thereof;

FIG. 5 is a left side view thereof;

FIG. 6 is a right side view thereof;

FIG. 7 is a top view thereof; and,

FIG. 8 is a bottom view thereof.

**1 Claim, 4 Drawing Sheets**



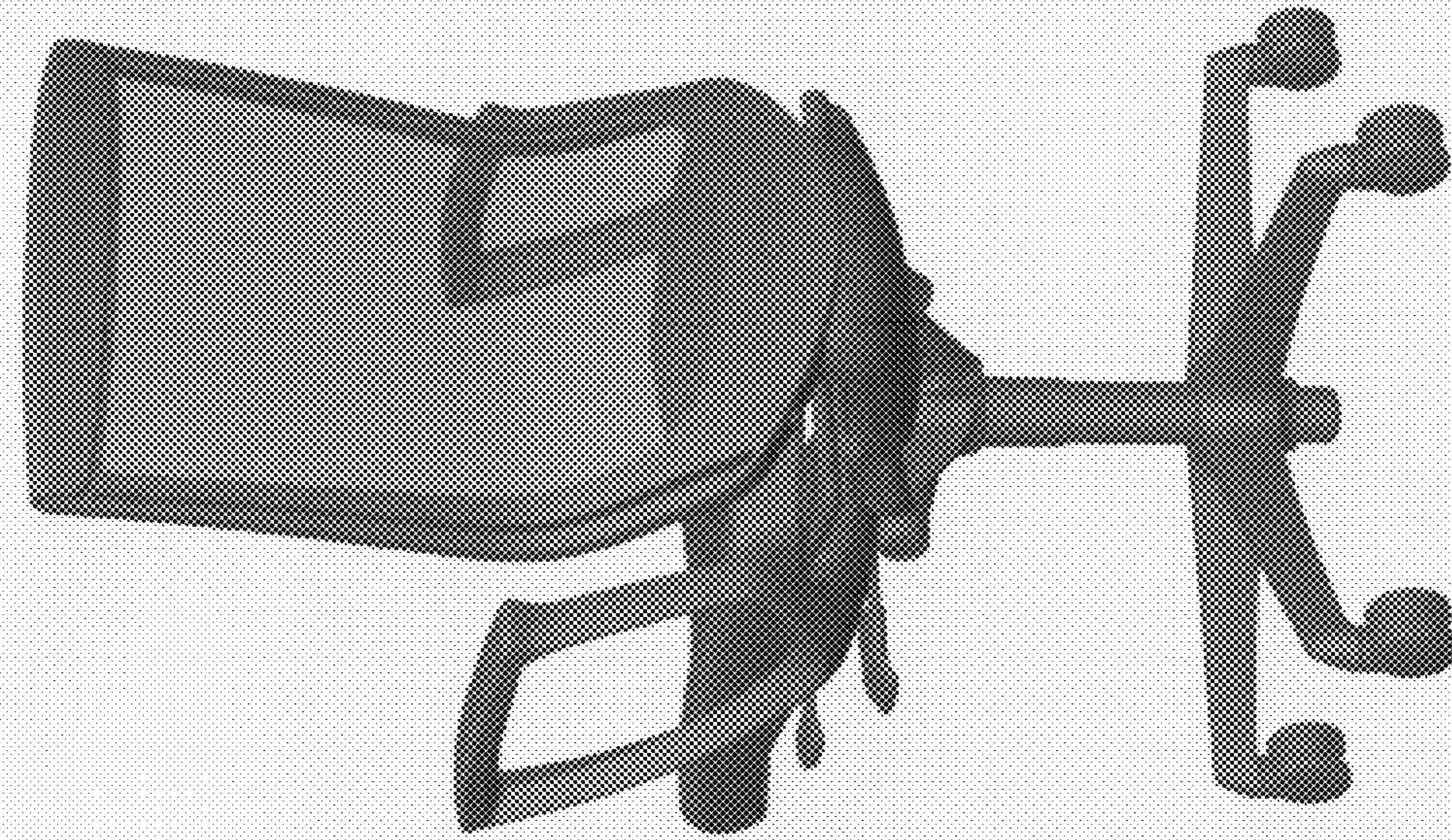


FIG. 2

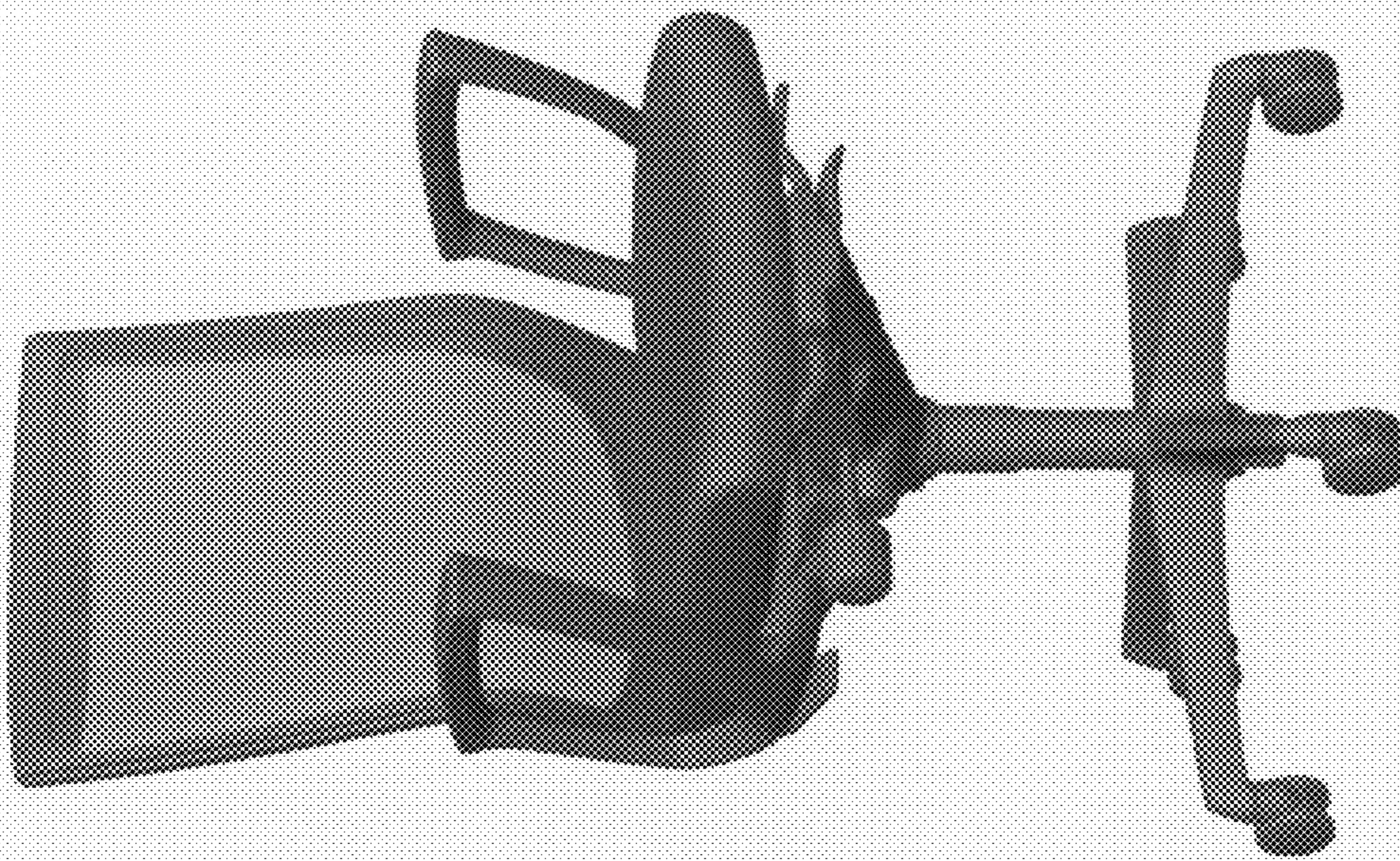


FIG. 1

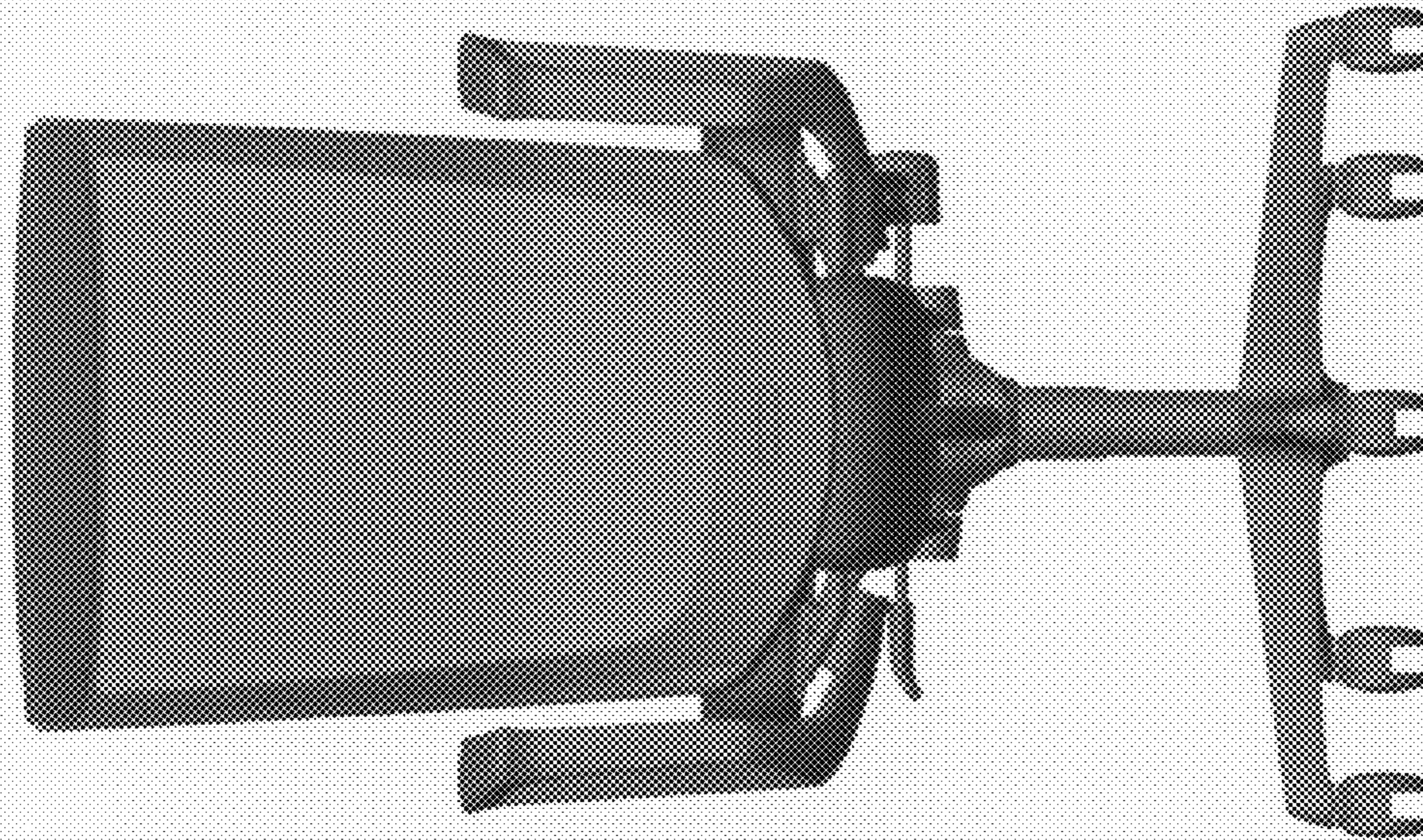


FIG. 4

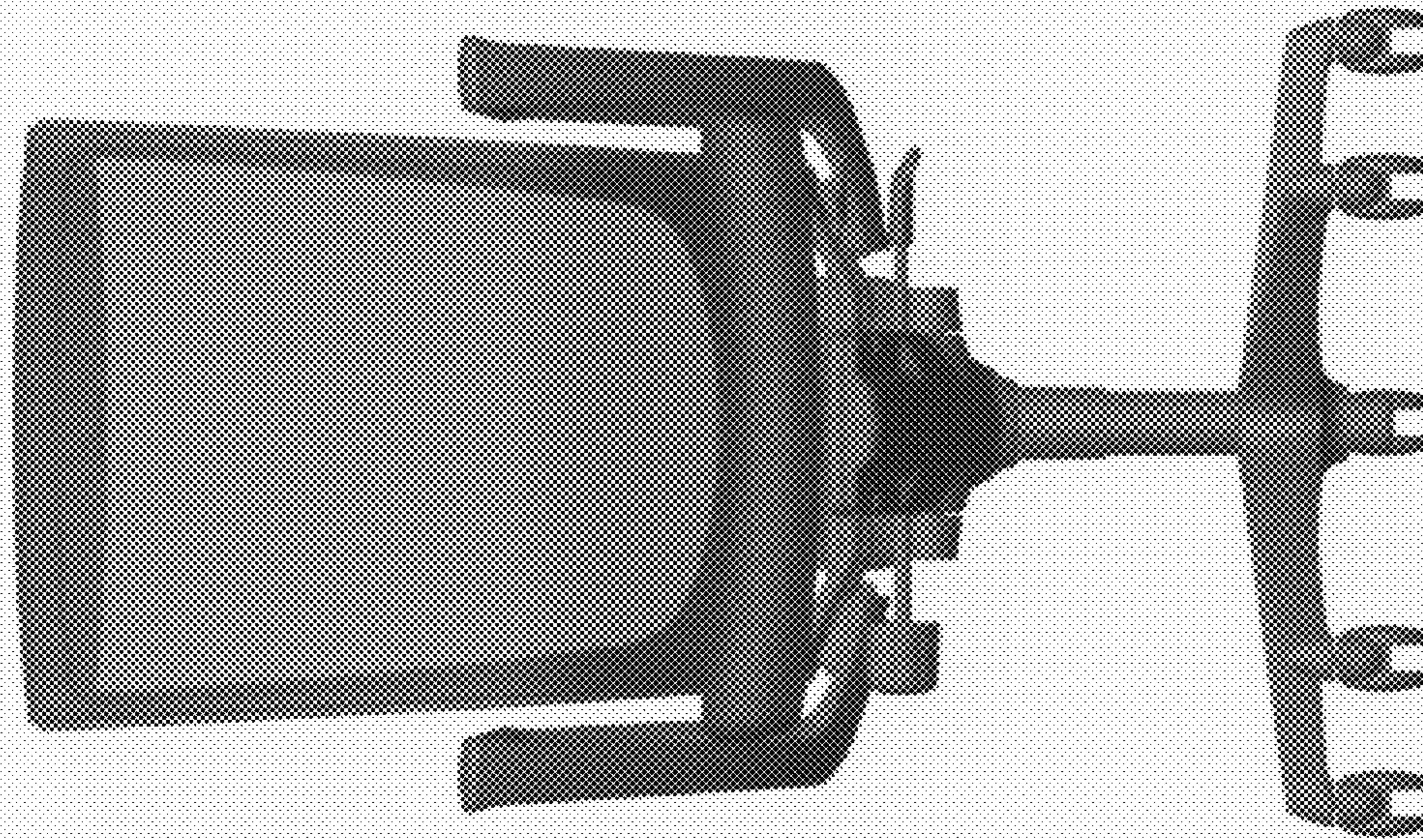


FIG. 3

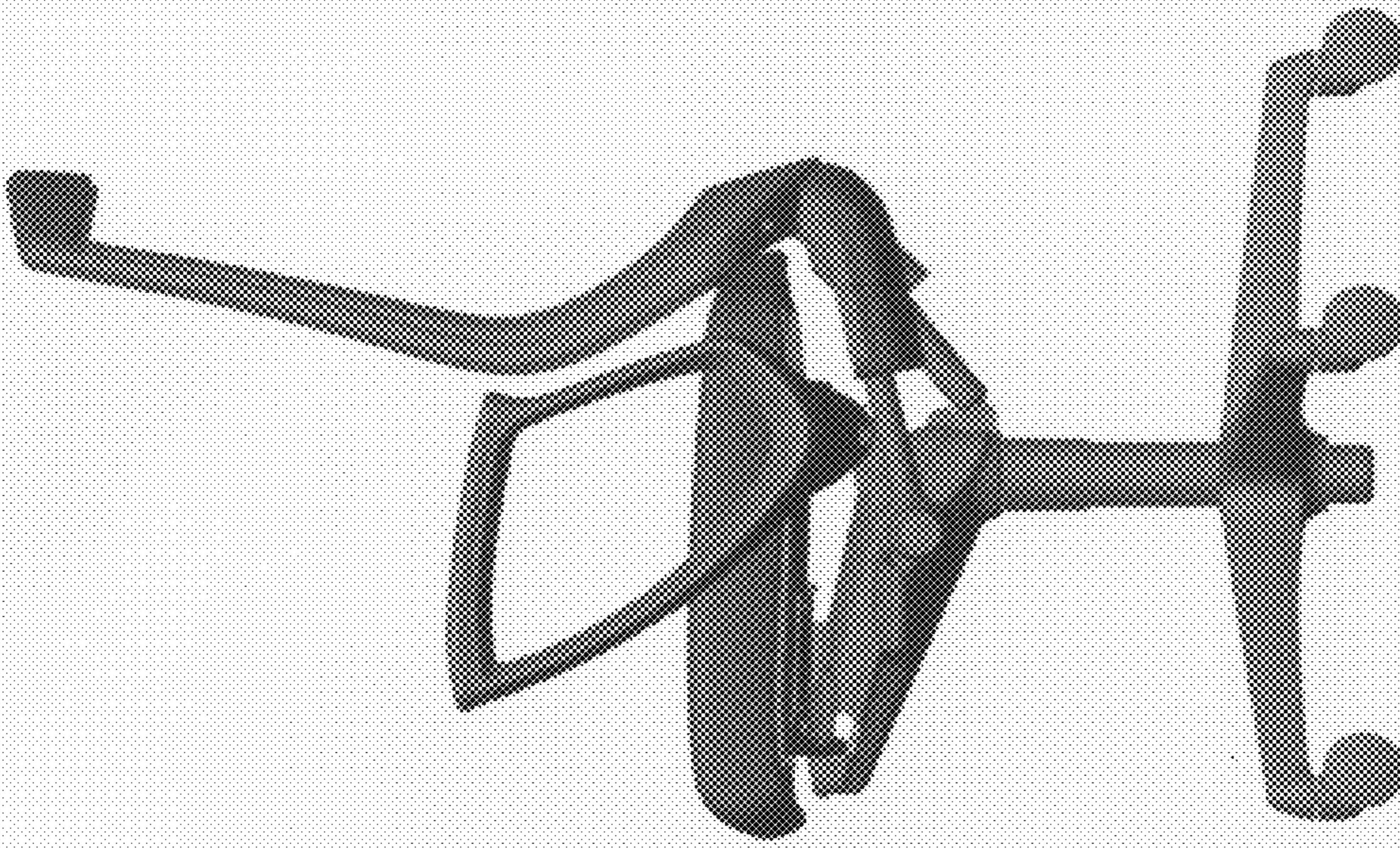


FIG. 6

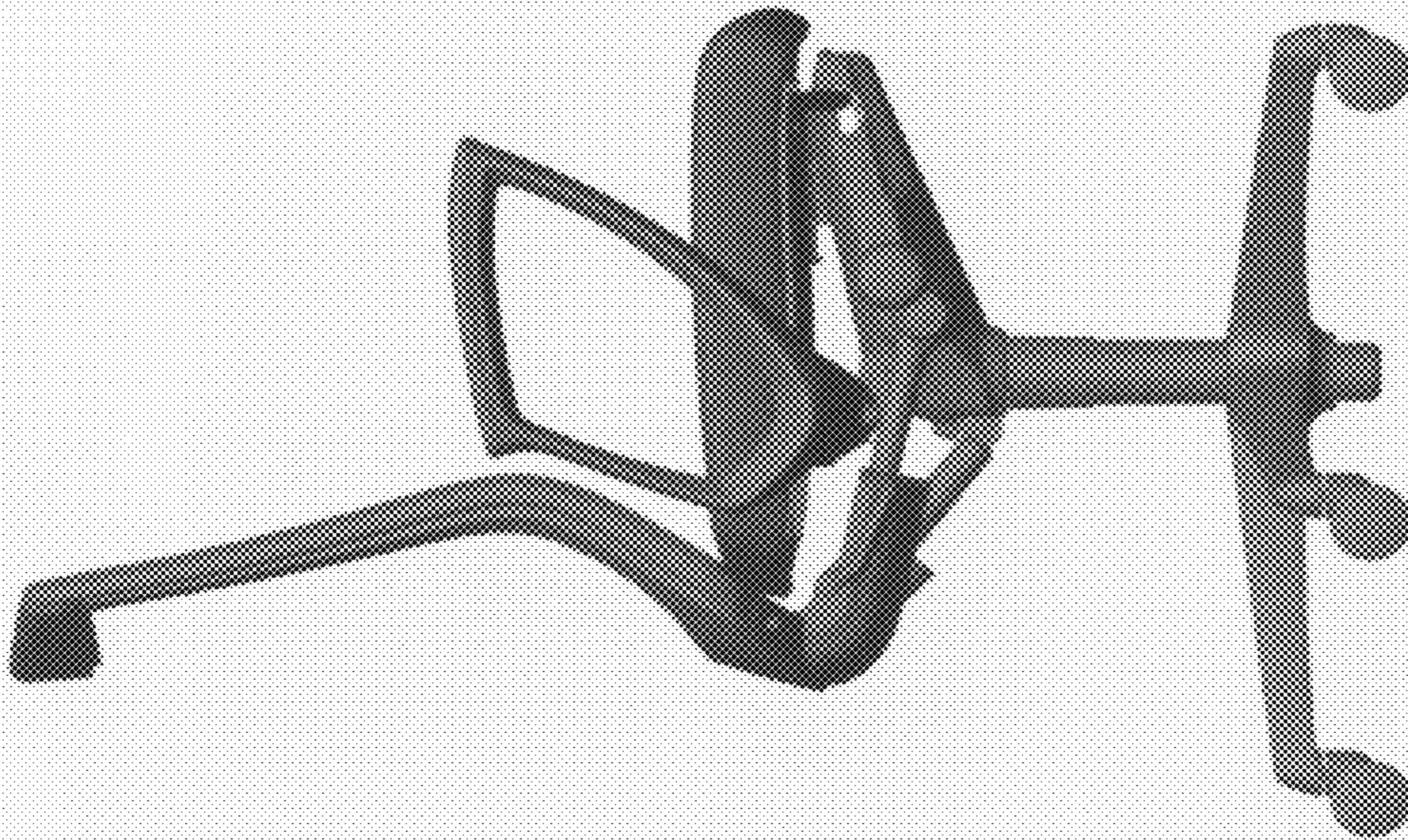


FIG. 5

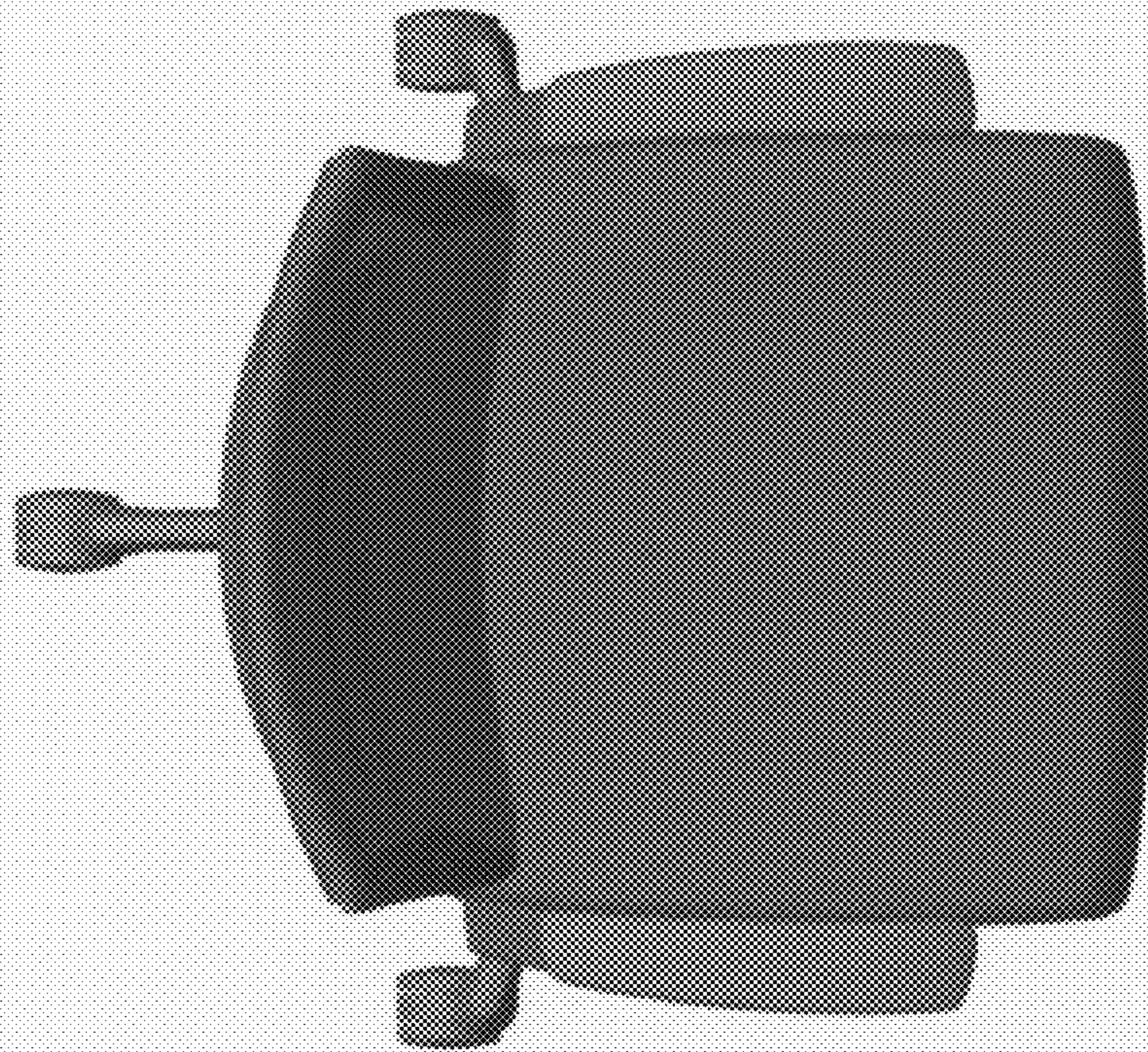


FIG. 7

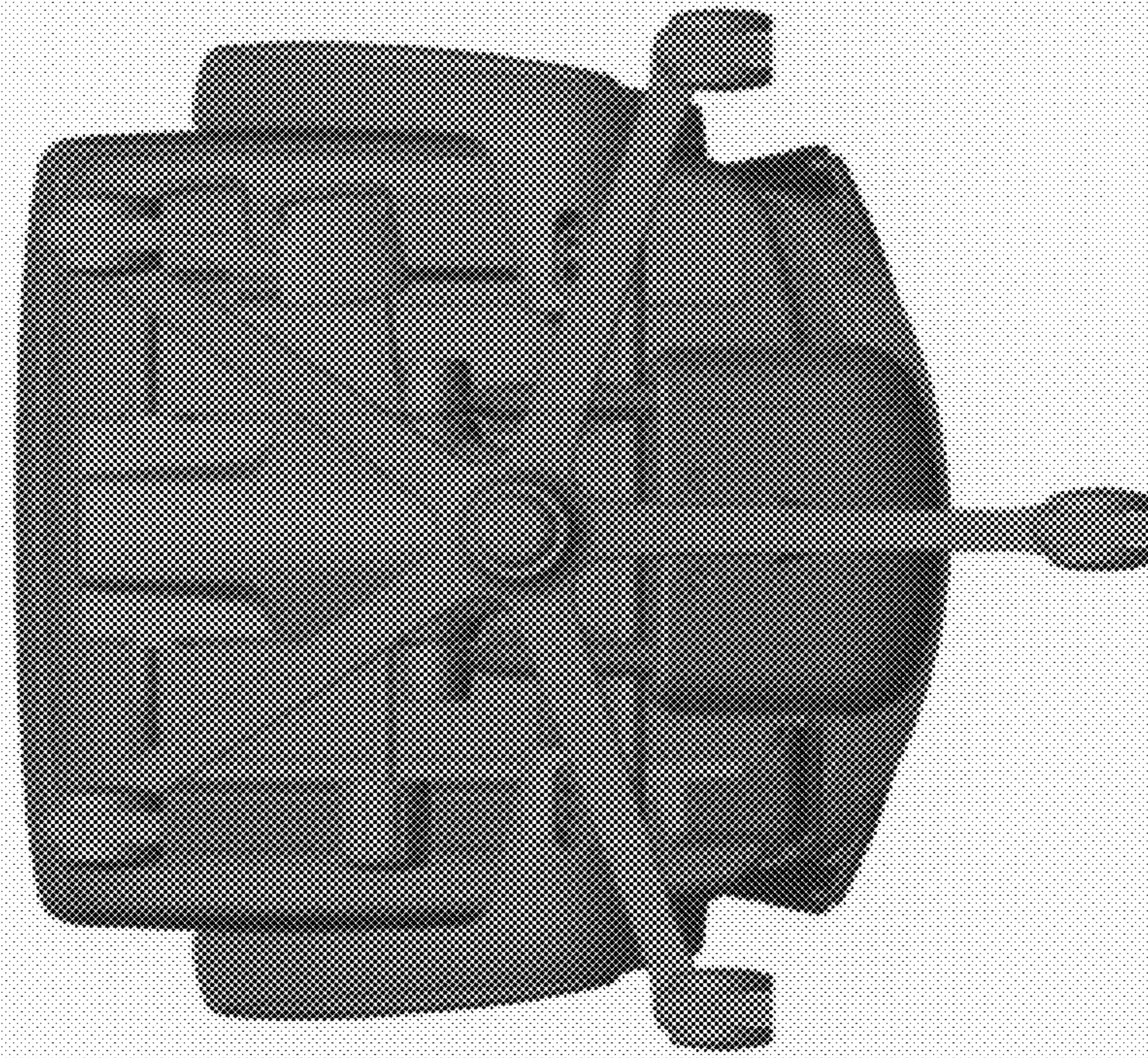


FIG. 8