



US00D671330S

(12) **United States Design Patent**
Izawa

(10) **Patent No.:** **US D671,330 S**
(45) **Date of Patent:** **** Nov. 27, 2012**

(54) **CHAIR**

(75) Inventor: **Syouichi Izawa**, Tokyo (JP)

(73) Assignee: **Okamura Corporation**, Kanagawa-ken (JP)

(**) Term: **14 Years**

(21) Appl. No.: **29/395,138**

(22) Filed: **Dec. 2, 2011**

(30) **Foreign Application Priority Data**

Jun. 3, 2011 (JP) 2011-012617

(51) **LOC (9) Cl.** **06-01**

(52) **U.S. Cl.** **D6/366**

(58) **Field of Classification Search** D6/334-336,
D6/364, 365, 366, 367, 368, 379, 380, 498,
D6/500-502; 297/411.27, 452.13, 452.21,
297/452.24, 452.26, 452.29, 452.3, 452.46,
297/452.48, 452.56

See application file for complete search history.

(56) **References Cited**

U.S. PATENT DOCUMENTS

D527,920	S	*	9/2006	Giugiaro	D6/366
D567,521	S	*	4/2008	Igarashi	D6/366
D613,086	S	*	4/2010	Fujita	D6/366
D648,552	S		11/2011	Izawa		
D652,646	S	*	1/2012	Fujita	D6/366
D662,330	S	*	6/2012	Tanaka et al.	D6/366
D665,589	S	*	8/2012	Wagner	D6/366

* cited by examiner

Primary Examiner — Mimoso De

(74) *Attorney, Agent, or Firm* — Carrier Blackman & Associates, P.C.; Joseph P. Carrier; William D. Blackman

(57) **CLAIM**

The ornamental design for a chair, as shown and described.

DESCRIPTION

FIG. 1 is a front perspective view of top, front and left side of a chair showing my new design;
FIG. 2 is a rear perspective view of top, rear and right side thereof;
FIG. 3 is a front view thereof;
FIG. 4 is a rear view thereof;
FIG. 5 is a left side view thereof;
FIG. 6 is a right side view thereof;
FIG. 7 is a top view thereof; and,
FIG. 8 is a bottom view thereof.

1 Claim, 4 Drawing Sheets



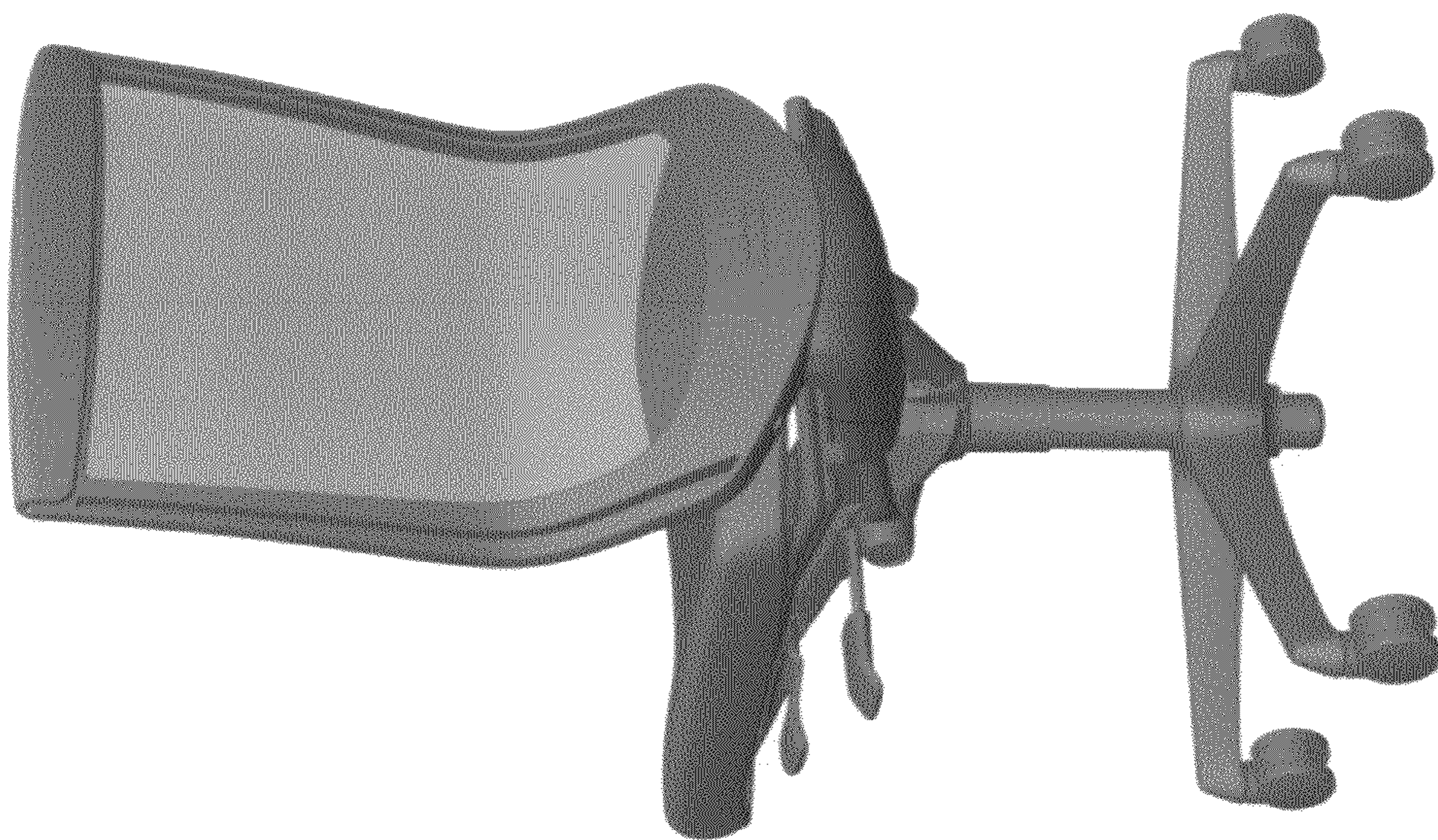


FIG. 2

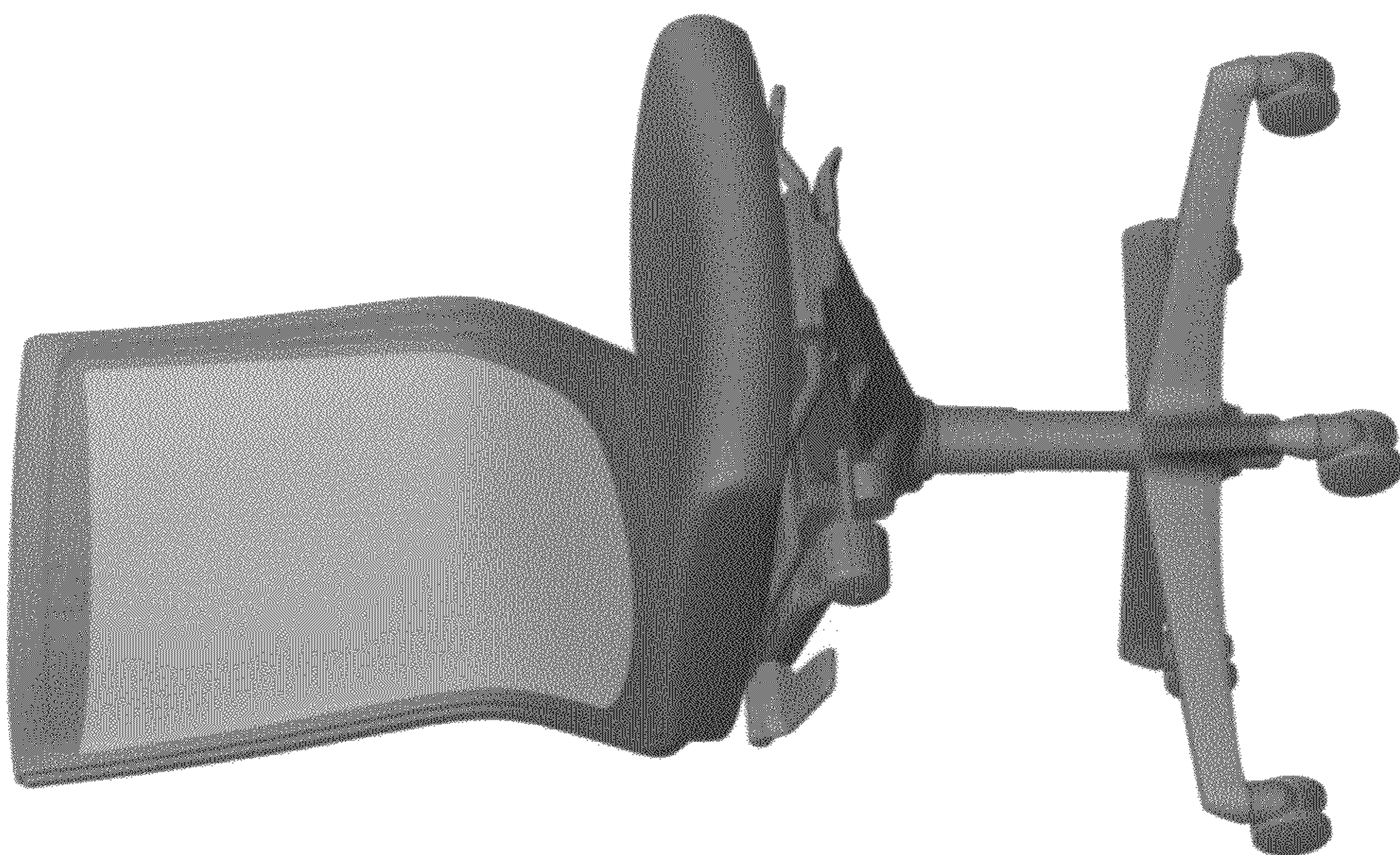


FIG. 1

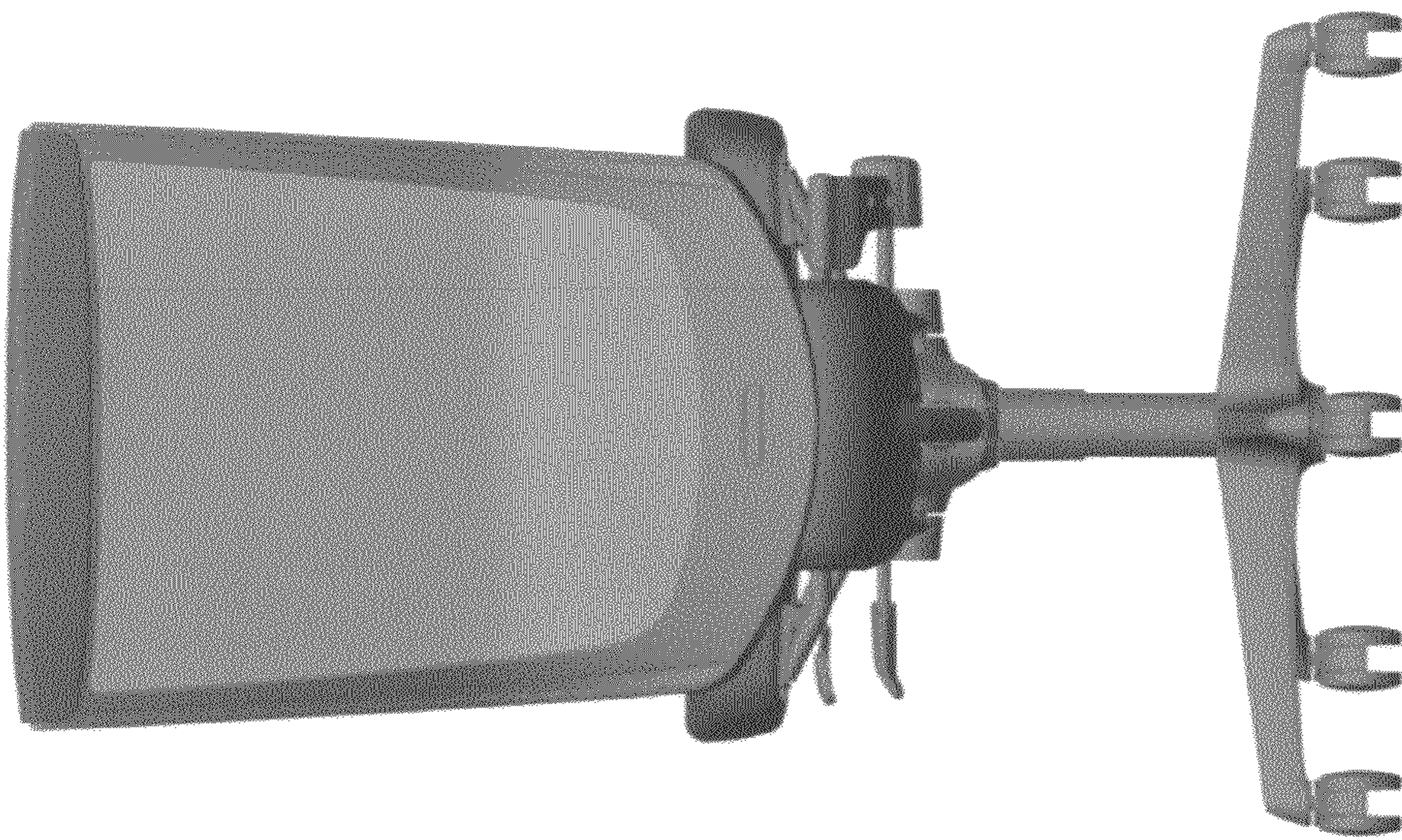


FIG. 4

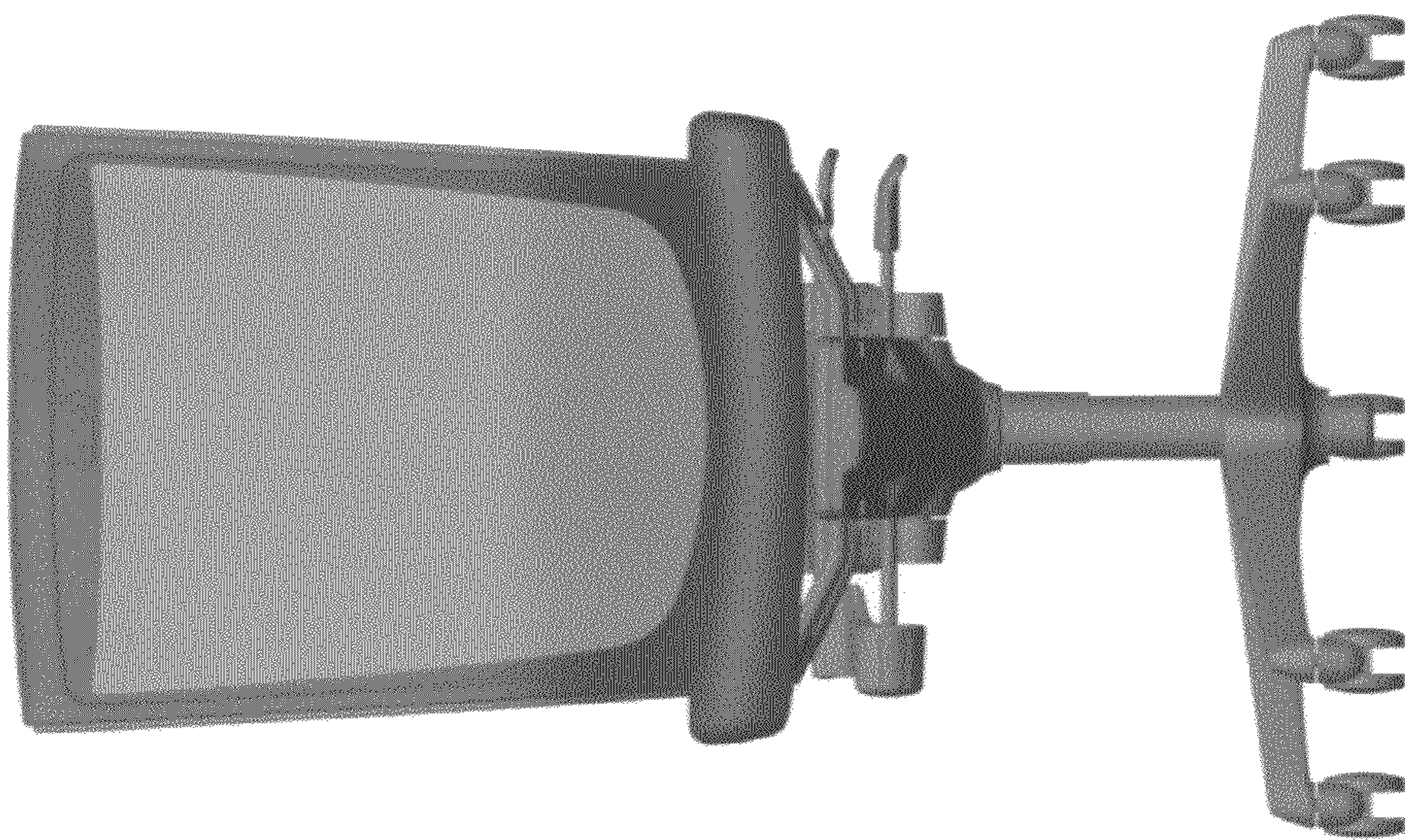


FIG. 3

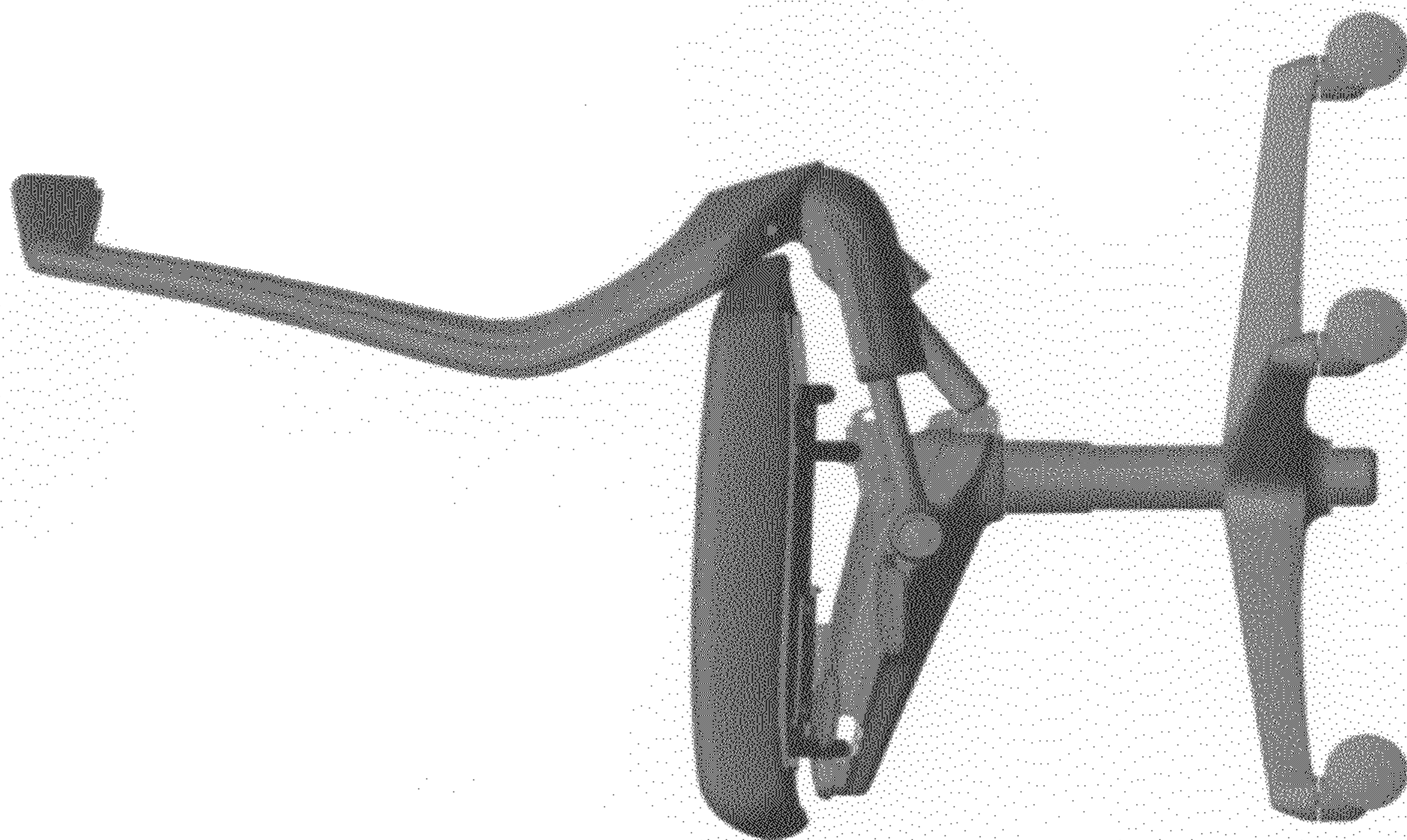


FIG. 6

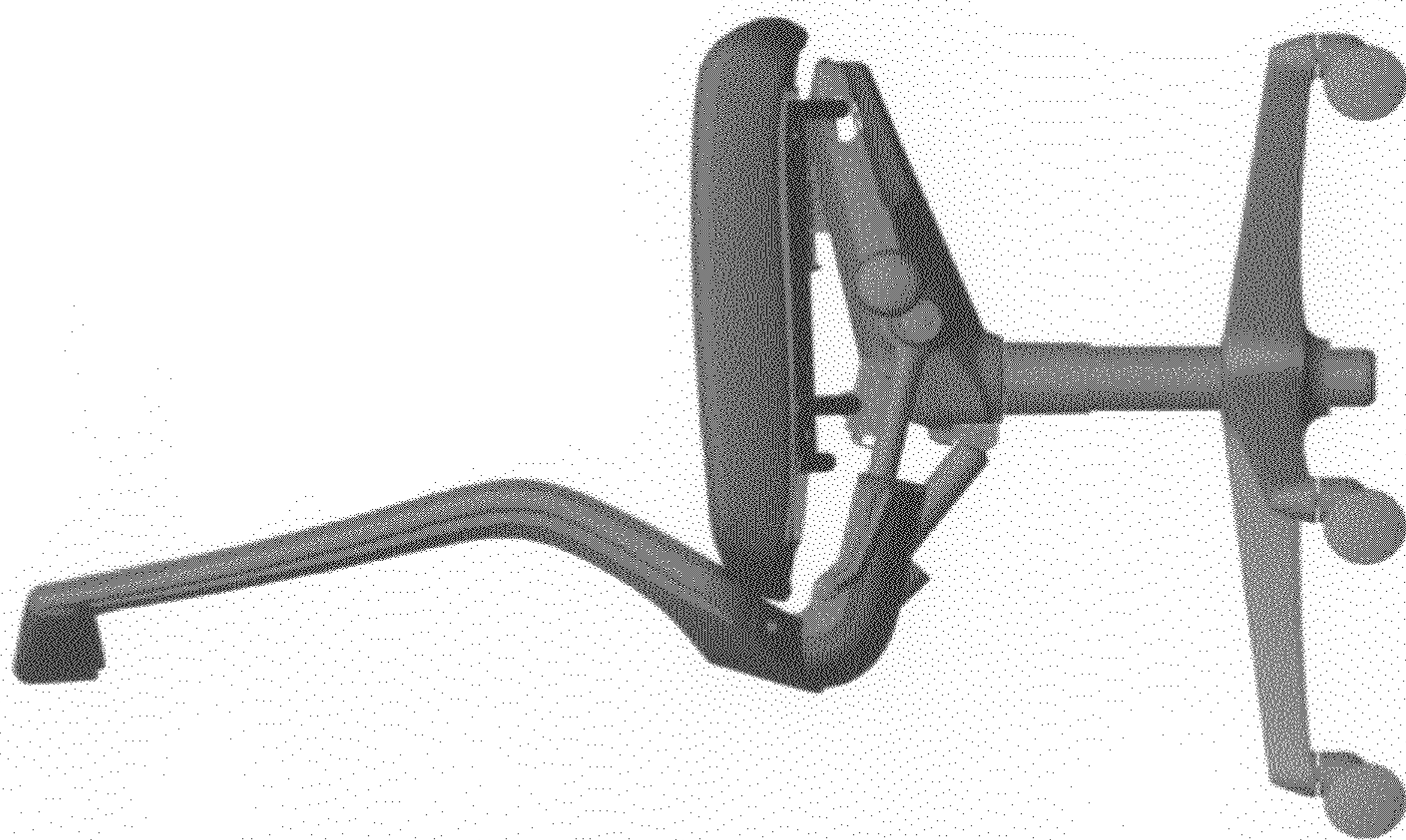


FIG. 5



FIG. 7

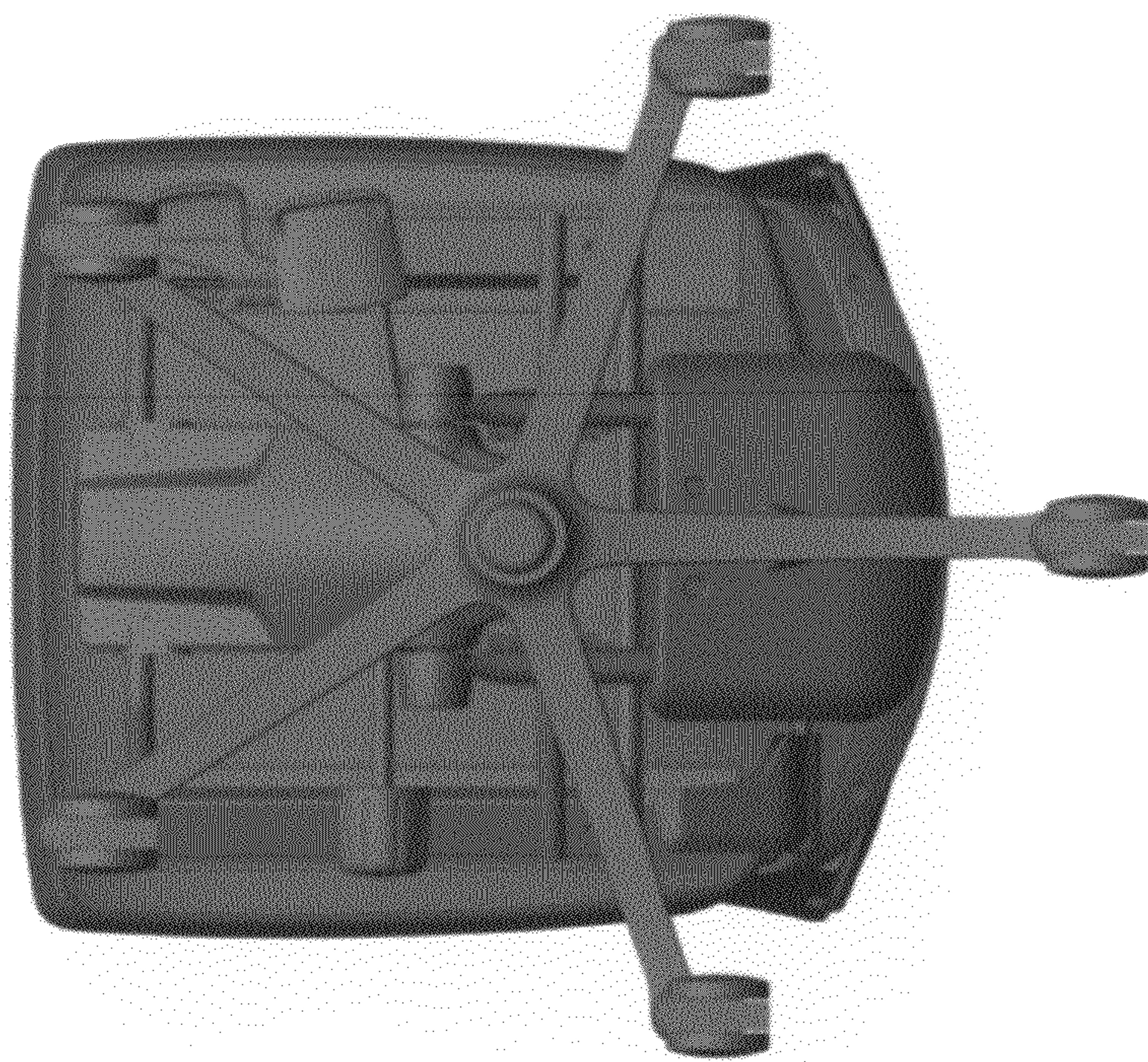


FIG. 8