



US00D671321S

(12) **United States Design Patent**
Scott

(10) **Patent No.:** **US D671,321 S**
(45) **Date of Patent:** **** Nov. 27, 2012**

(54) **CARRYING TOTE**

(76) Inventor: **William Mitchell Scott**, Villa Hills, OH
(US)

(**) Term: **14 Years**

(21) Appl. No.: **29/419,507**

(22) Filed: **Apr. 28, 2012**

4,325,493 A	4/1982	Paige	
4,817,861 A	4/1989	Henrikson	
4,927,074 A	5/1990	LaRue et al.	
D326,341 S	5/1992	Frauhiger	
D348,390 S *	7/1994	Van Ness	D9/760
D361,892 S *	9/1995	Quaintance	D3/305
5,494,161 A *	2/1996	Herbst	206/425
D391,079 S *	2/1998	Conti et al.	D3/314
5,779,129 A	7/1998	Herbst et al.	
D398,228 S	9/1998	Herbst et al.	
D398,230 S	9/1998	Herbst et al.	

(Continued)

Related U.S. Application Data

(63) Continuation-in-part of application No. 13/441,434,
filed on Apr. 6, 2012.

(51) **LOC (9) Cl.** **03-01**

(52) **U.S. Cl.** **D3/304**

(58) **Field of Classification Search** D3/304-305,
D3/307-315; D19/75-76, 86, 90-91, 99-100;
229/100, 117.13, 117.16, 120.02, 120.24,
229/120.29; 220/500, 528-529; D34/1;
312/183-184, 107; 211/45-46, 10-11, 126.13
See application file for complete search history.

(56) **References Cited**

U.S. PATENT DOCUMENTS

2,418,963 A	4/1947	Anderson, Jr.	
3,002,650 A	10/1961	Lovell	
3,049,279 A	8/1962	Mairs et al.	
3,107,041 A	10/1963	Wagner, Jr.	
3,186,586 A	6/1965	Box	
3,195,798 A	7/1965	Wilson	
3,282,462 A	11/1966	Box	
3,366,496 A	1/1968	Bomar et al.	
3,379,341 A	4/1968	Miles	
3,667,666 A	6/1972	Pryor	
3,670,949 A	6/1972	Galanes	
3,724,920 A *	4/1973	Beck	312/184
3,844,473 A	10/1974	Whelan	
D242,021 S *	10/1976	Shanklin	D6/518

FOREIGN PATENT DOCUMENTS

WO WO 99/25621 5/1999

OTHER PUBLICATIONS

U.S. Appl. No. 29/419,507, filed Apr. 28, 2012, William Mitchell
Scott, Carrying Tote.

(Continued)

Primary Examiner — Elizabeth Albert
Assistant Examiner — Kelley Donnelly
(74) *Attorney, Agent, or Firm* — Hasse & Nesbitt LLC;
Donald E. Hasse; Daniel F. Nesbitt

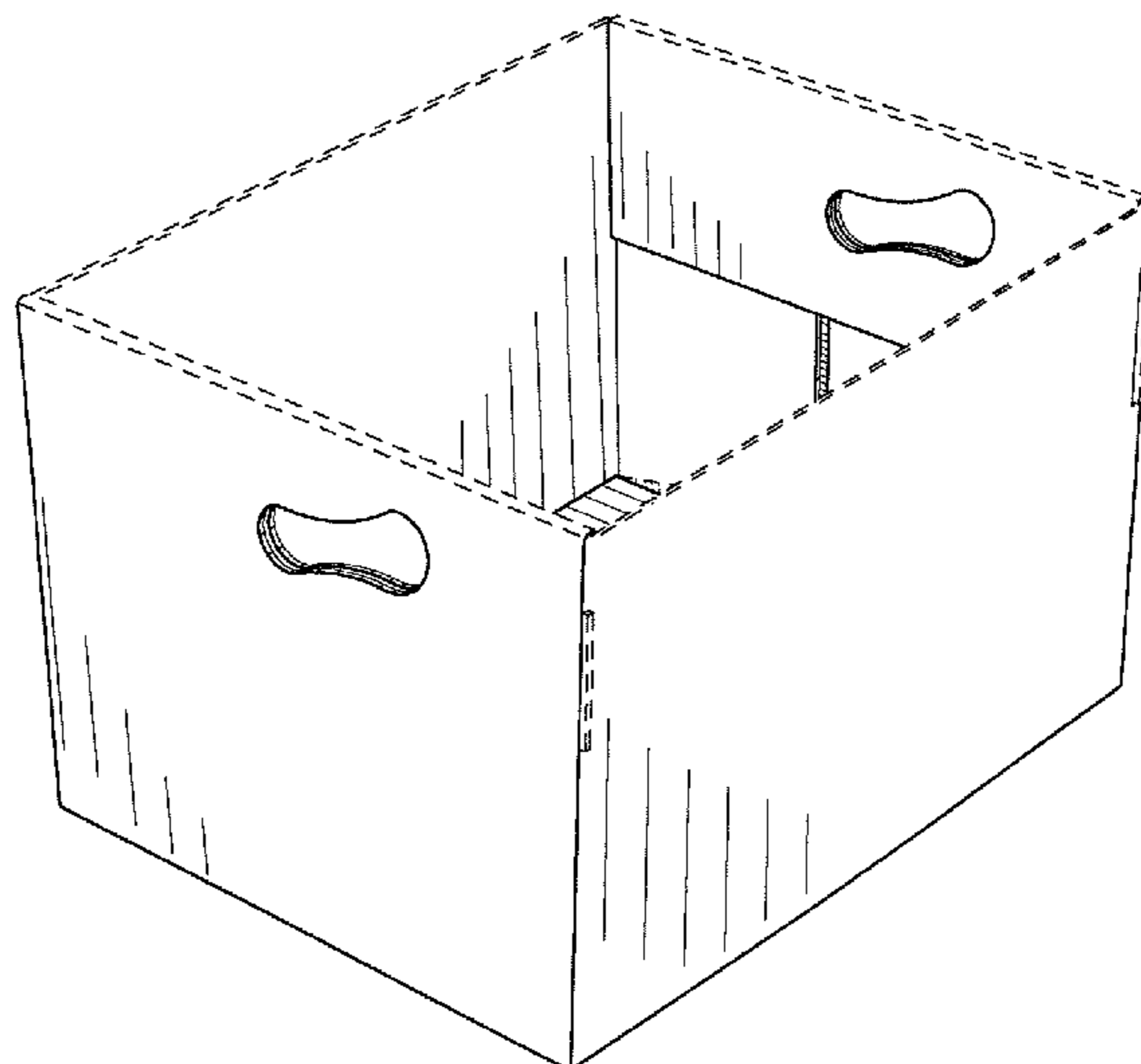
(57) **CLAIM**

An ornamental design for a carrying tote, as shown and
described.

DESCRIPTION

FIG. 1 is a perspective view of the new design.
FIG. 2 is a side view of the new design;
FIG. 3 is a top view thereof; and,
FIG. 4 is a bottom view thereof.
The broken lines shown in the drawings are for illustrative
purposes only and form no part of the claimed design.

1 Claim, 3 Drawing Sheets



US D671,321 S

Page 2

U.S. PATENT DOCUMENTS

D421,183 S * 2/2000 Koskinen D3/312
D422,499 S 4/2000 Herbst et al.
D423,587 S * 4/2000 Conley et al. D19/90
D424,117 S * 5/2000 Steinbeck et al. D19/75
D425,128 S 5/2000 Conley et al.
D425,562 S * 5/2000 Conley et al. D19/90
6,149,052 A 11/2000 Mueller
D461,120 S 8/2002 Ostro
6,705,515 B2 3/2004 Dowd
D494,759 S * 8/2004 Louie et al. D3/304
D495,490 S * 9/2004 Garrett et al. D3/304
D507,404 S * 7/2005 Moon et al. D3/304
D518,526 S * 4/2006 Benn D19/90
D526,893 S * 8/2006 Nixon D9/431
D542,033 S * 5/2007 Kopenhaver et al. D3/305
7,410,094 B2 * 8/2008 Bos 229/120.36
7,654,408 B2 2/2010 Bazany
D627,562 S * 11/2010 Osiecki et al. D3/304
D633,296 S 3/2011 Potts et al.
D657,562 S * 4/2012 McNamara D3/304
D658,407 S * 5/2012 Pung et al. D6/479
D661,096 S 6/2012 Dretzka
2008/0054059 A1 3/2008 Chadima
2010/0314268 A1 12/2010 Goodman

OTHER PUBLICATIONS

U.S. Appl. No. 29/419,508, filed Apr. 28, 2012, William Mitchell Scott, Carrying Tote.
U.S. Appl. No. 29/419,510, filed Apr. 28, 2012, William Mitchell Scott, Carrying Tote.
U.S. Appl. No. 13/441,434, filed Apr. 6, 2012, William Mitchell Scott, Container With Grips.
U.S. Appl. No. 29/391,489, filed May 9, 2011, William Mitchell Scott, Novel Box.
U.S. Appl. No. 29/391,490, filed May 10, 2011, William Mitchell Scott, Novel Box & Private Label.
U.S. Appl. No. 29/391,491, filed May 10, 2011, William Mitchell Scott, Novel Box With Angular Grips.
U.S. Appl. No. 29/391,492, filed May 10, 2011, William Mitchell Scott, Novel Box for Under Desk.
U.S. Appl. No. 29/419,400, filed Apr. 27, 2012, William Mitchell Scott, Box With Locking Ports.
U.S. Appl. No. 13/448,349, filed Apr. 16, 2012, William Mitchell Scott, Strengthening Insert for a Corrugated Box.
U.S. Appl. No. 29/419,603, filed Apr. 30, 2012, William Mitchell Scott, Box With Grips Through Lid.

* cited by examiner

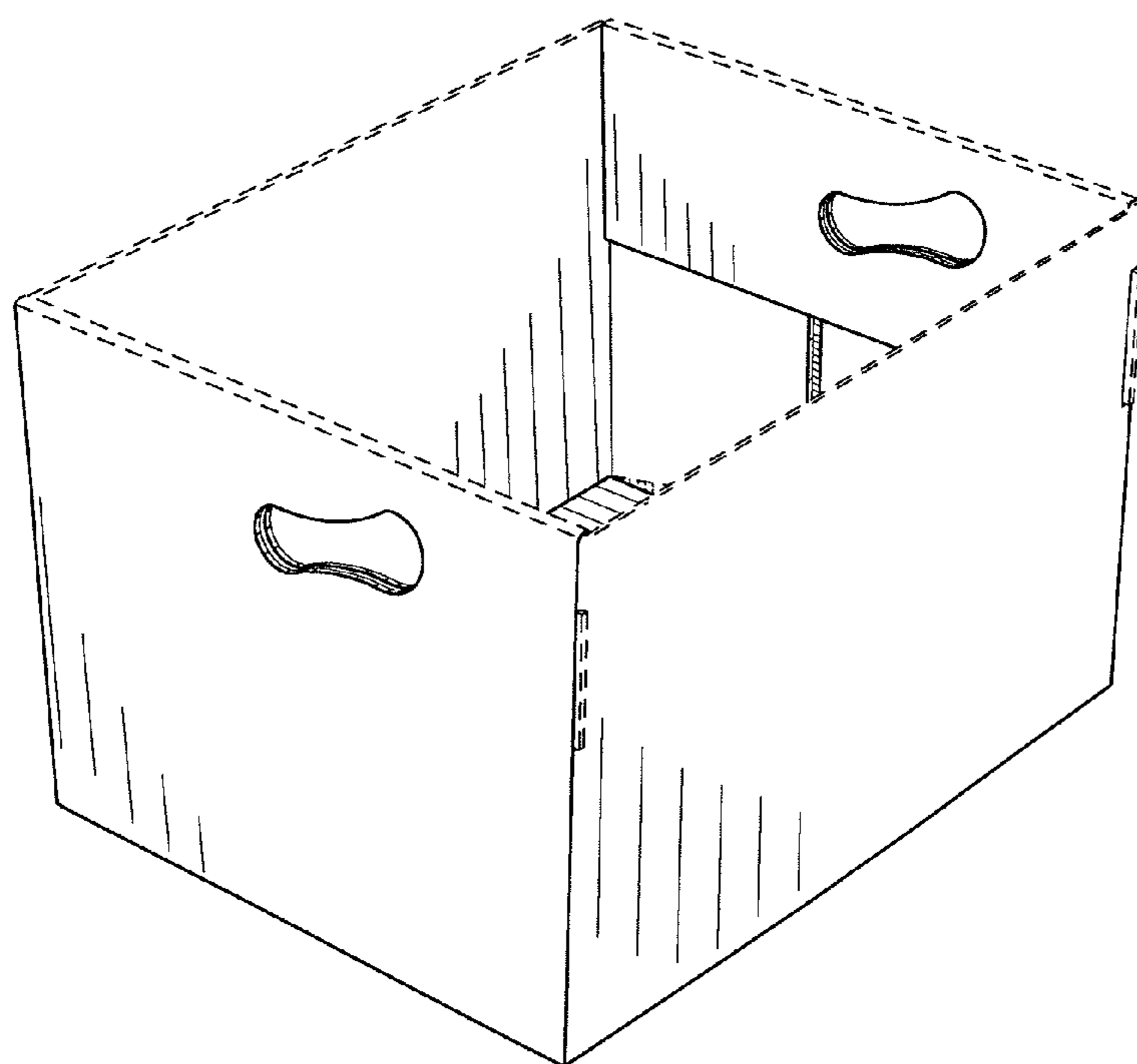


FIG. 1

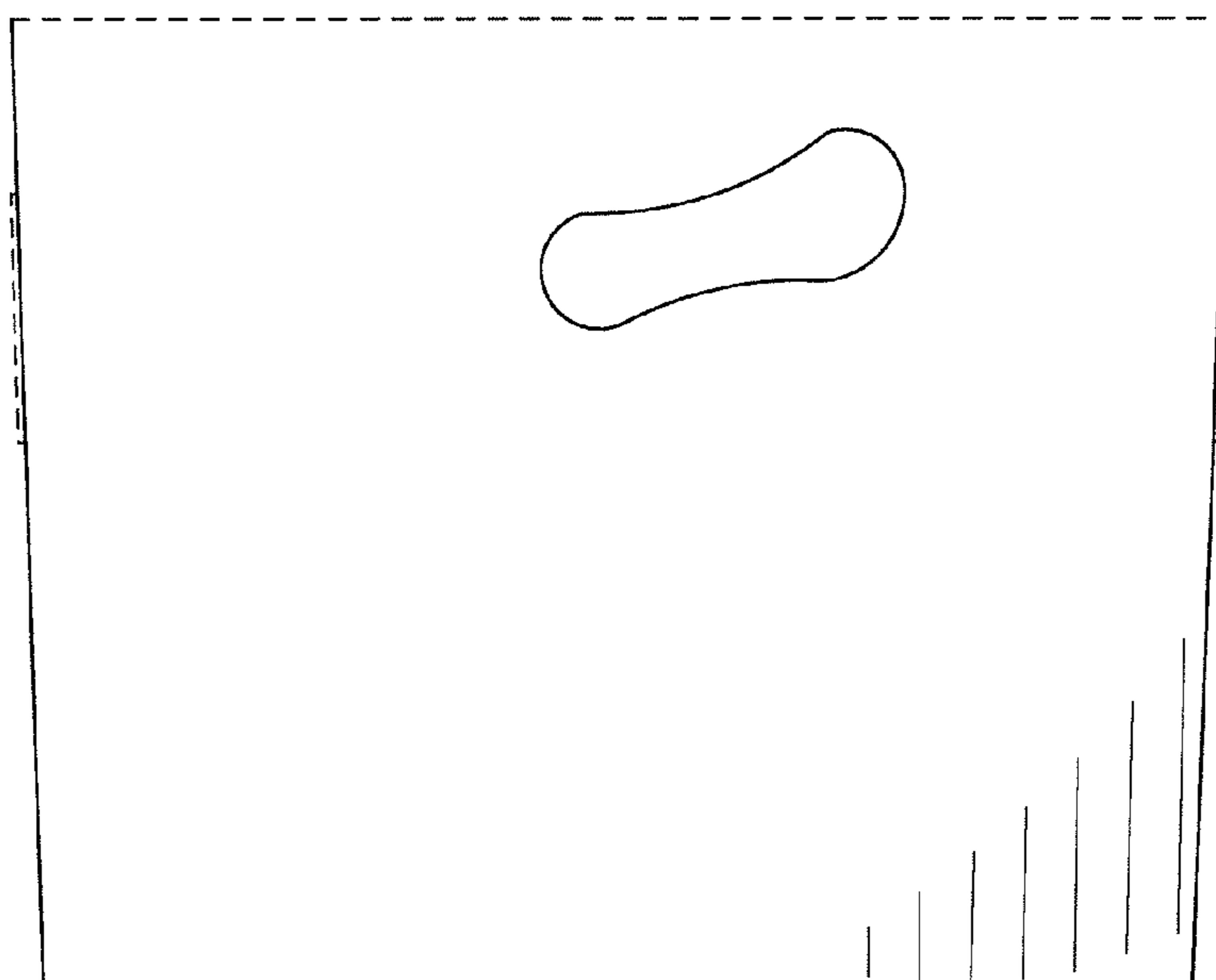


FIG. 2

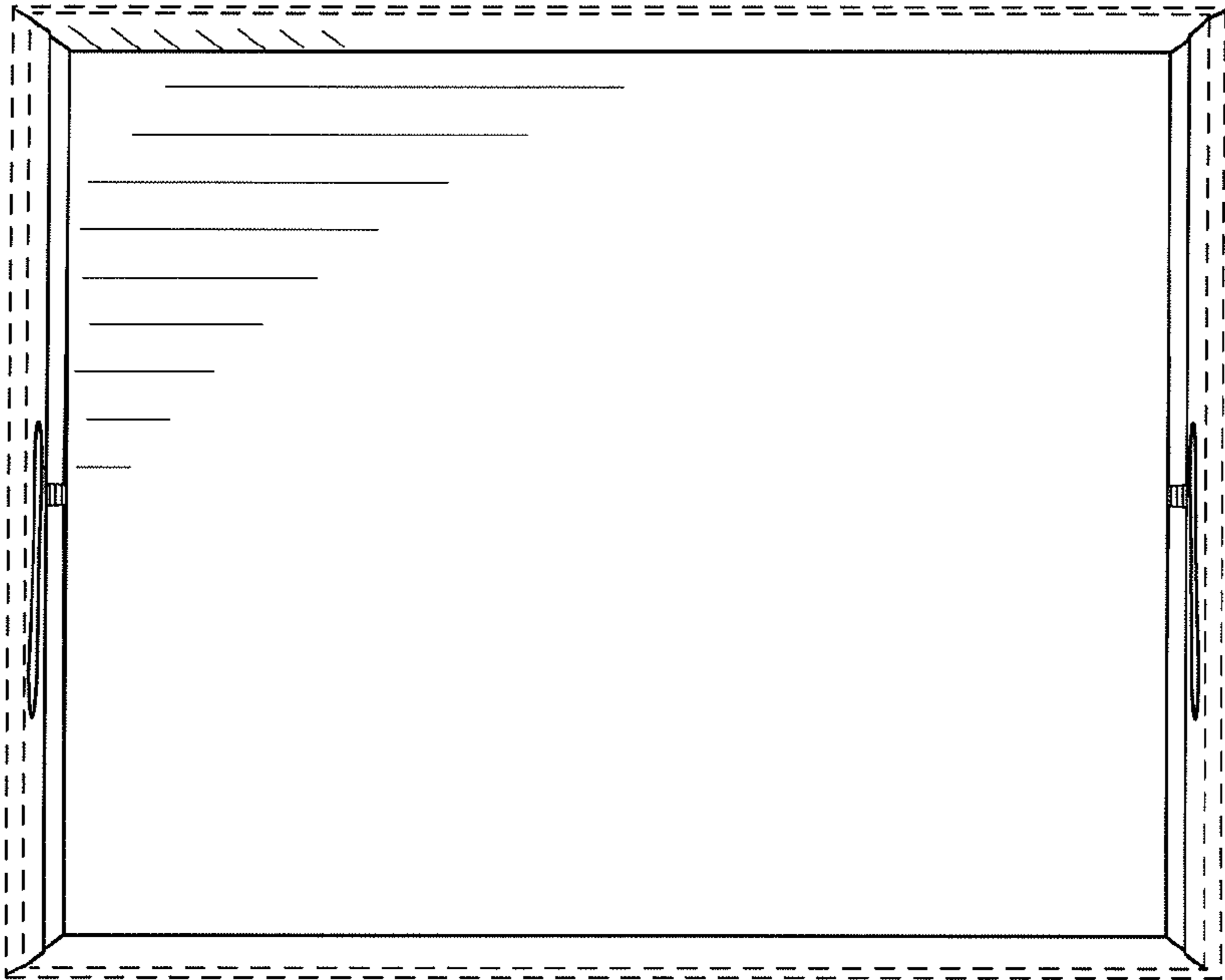


FIG. 3

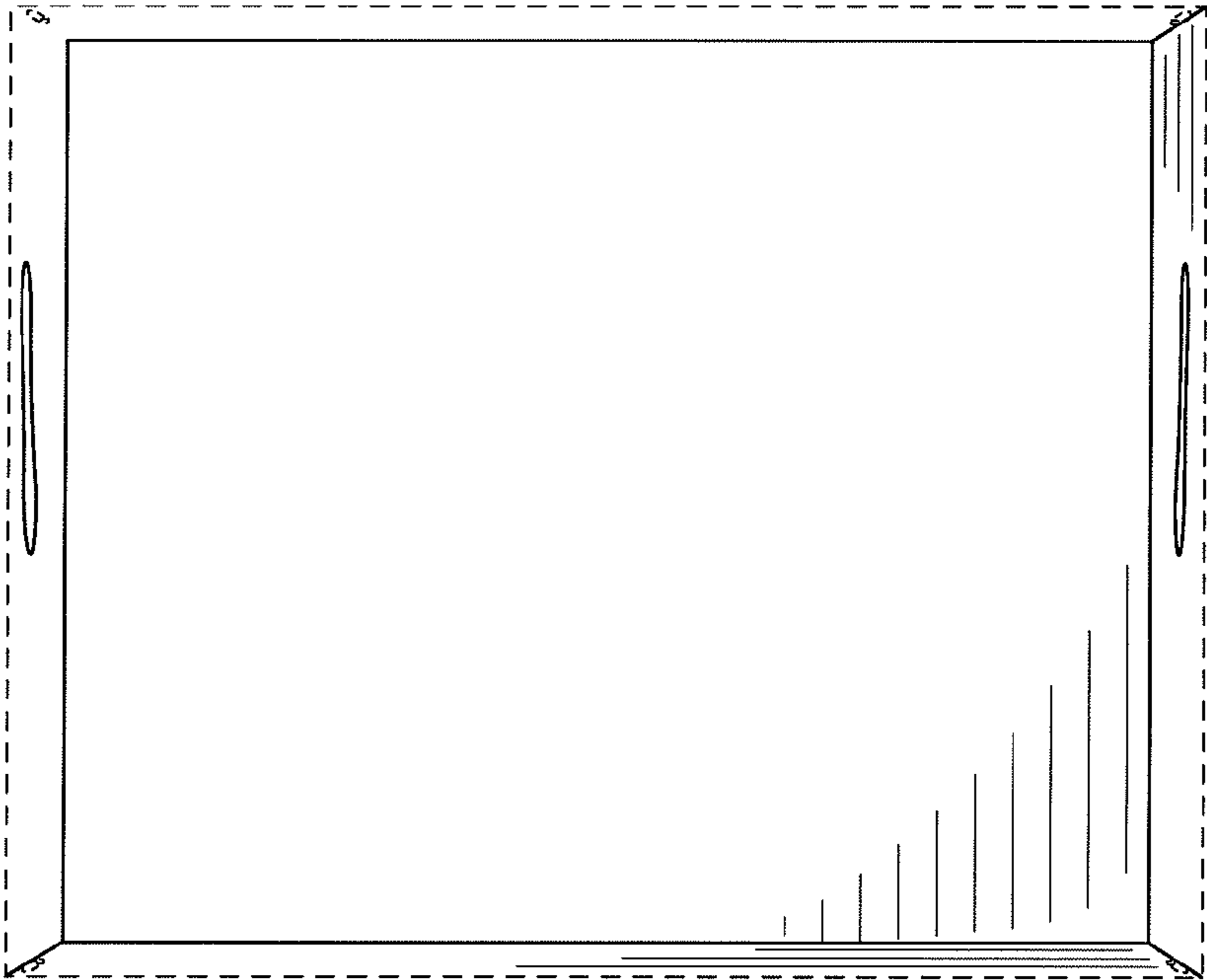


FIG. 4