



US00D671319S

(12) **United States Design Patent**
Tai et al.

(10) **Patent No.:** **US D671,319 S**

(45) **Date of Patent:** **** Nov. 27, 2012**

(54) **CASE FOR ELECTRONIC DEVICE**

(75) Inventors: **Hitomi Tai**, Tokyo (JP); **Yuko Hirayama**, Tokyo (JP)

(73) Assignee: **Sony Computer Entertainment Inc.**, Tokyo (JP)

(**) Term: **14 Years**

(21) Appl. No.: **29/371,842**

(22) Filed: **Oct. 21, 2011**

(30) **Foreign Application Priority Data**

Jun. 3, 2011 (JP) D2011-012690

(51) **LOC (9) Cl.** **03-01**

(52) **U.S. Cl.** **D3/300**

(58) **Field of Classification Search** D3/300,
D3/303, 215; 206/37-38, 235, 251-261,
206/268, 576, 701, 320

See application file for complete search history.

(56) **References Cited**

U.S. PATENT DOCUMENTS

D477,135 S *	7/2003	Fu	D3/247
D601,799 S *	10/2009	Andre et al.	D3/303
D609,010 S *	2/2010	Hofer et al.	D3/303
D620,259 S *	7/2010	Fahrendorff et al.	D3/303
D621,618 S *	8/2010	Fahrendorff et al.	D3/303

FOREIGN PATENT DOCUMENTS

JP	D1259957	1/2006
JP	1443418	6/2012

OTHER PUBLICATIONS

“Soft case and hand strap,” 1 sheet, <http://www.scei.co.jp/media/img/041027gl.jpg>, Sony Computer Entertainment Inc. (2004).

Photo of PSPJ-15027, 1 sheet, <http://www.scei.co.jp/media/img/090924f.jpg>, Sony Computer Entertainment Inc. (2009).

Decision to Grant in Taiwanese Patent Application No. 100305852, dated Jun. 22, 2012.

* cited by examiner

Primary Examiner — Holly Baynham

(74) *Attorney, Agent, or Firm* — Rader, Fishman & Grauer PLLC

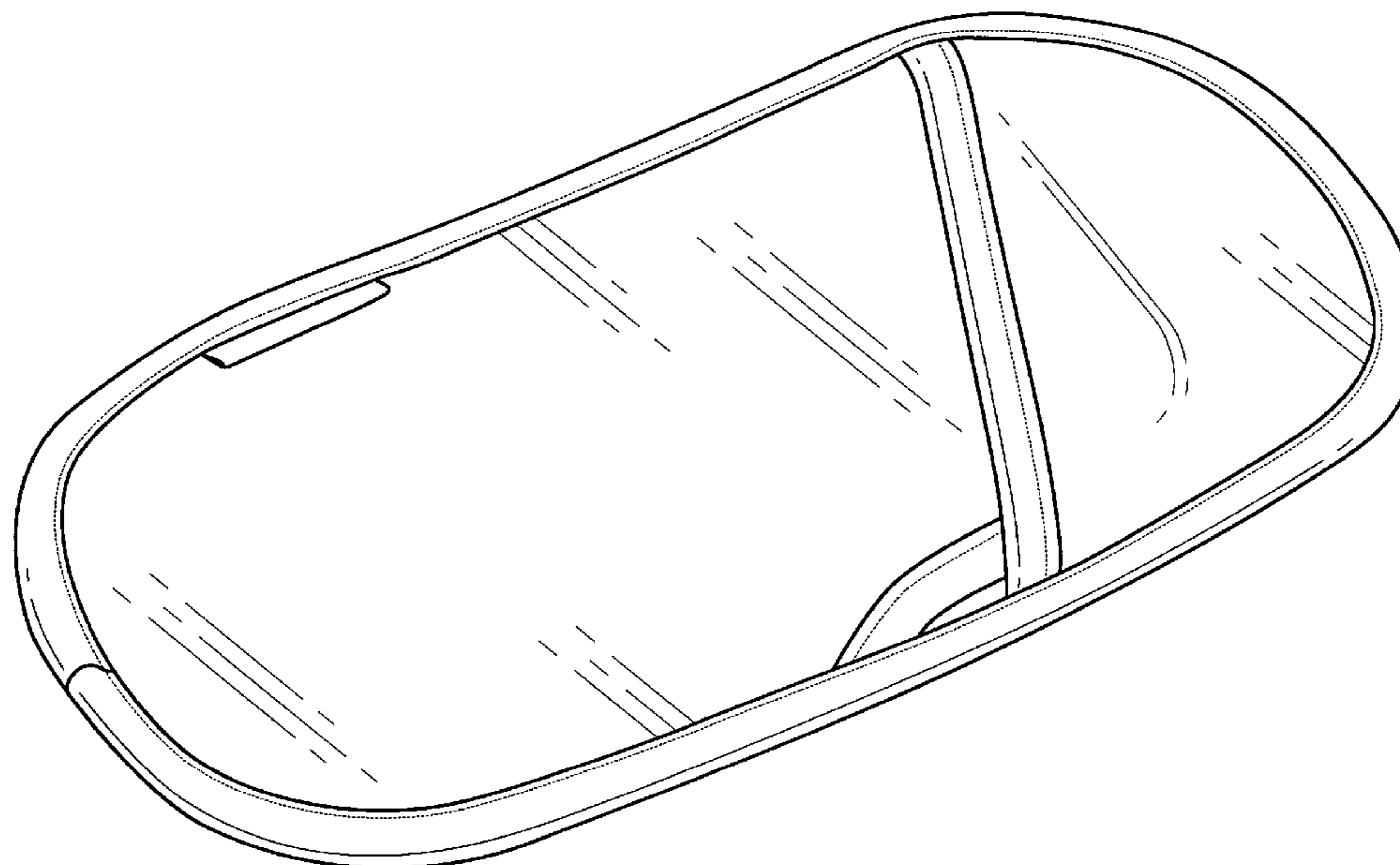
(57) **CLAIM**

The ornamental design for a case for an electronic device, as shown.

DESCRIPTION

FIG. 1 is a front, top, right perspective view of a case for an electronic device showing our new design; FIG. 2 is a front, top, left perspective view thereof; FIG. 3 is a front elevational view thereof; FIG. 4 is a rear elevational view thereof; FIG. 5 is a left side elevational view thereof; FIG. 6 is a right side elevational view thereof; FIG. 7 is a top plan view thereof; and FIG. 8 is a bottom plan view thereof; and FIG. 9 is a front elevational view thereof wherein the flap portion is pulled out.

1 Claim, 7 Drawing Sheets



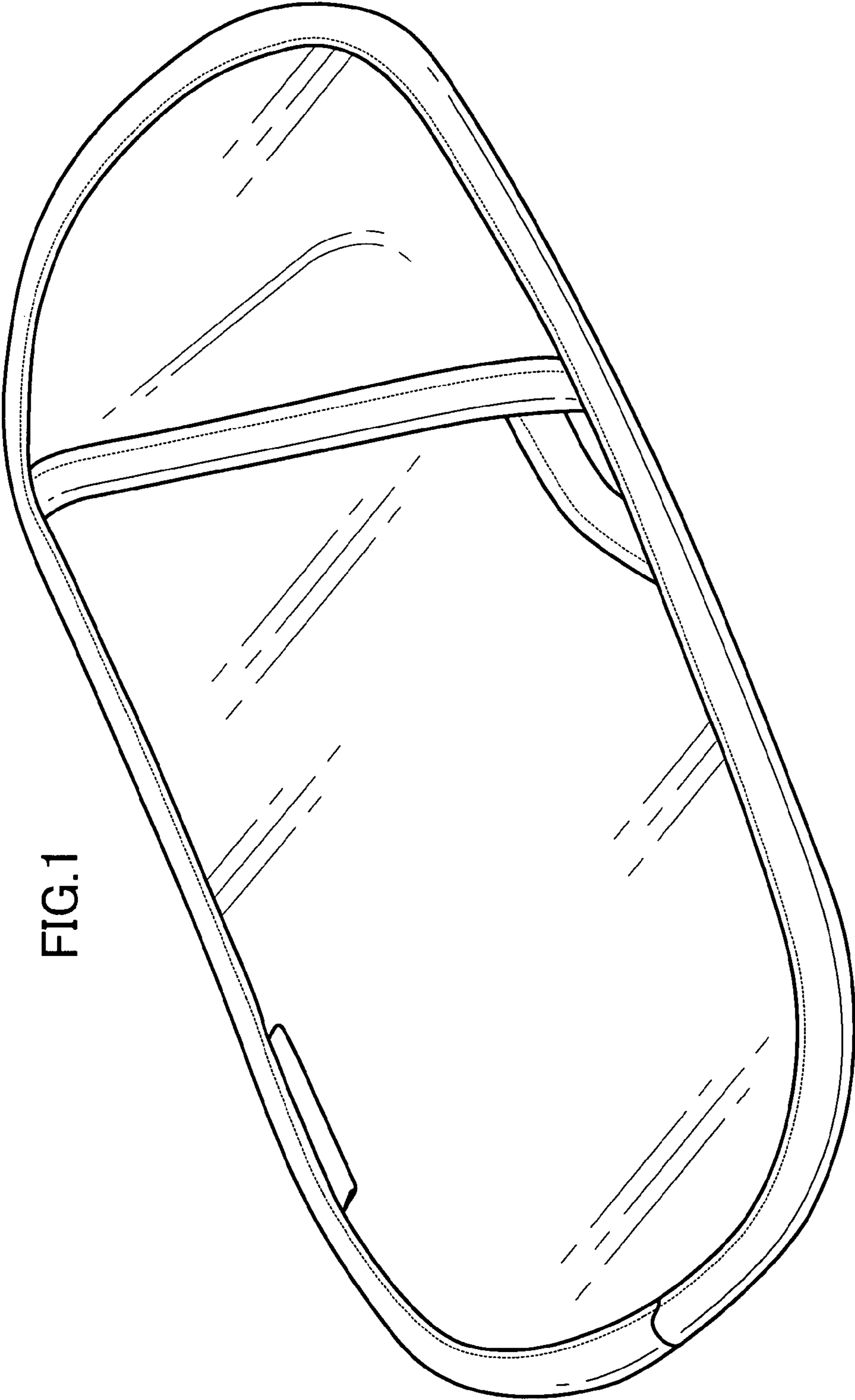


FIG.1

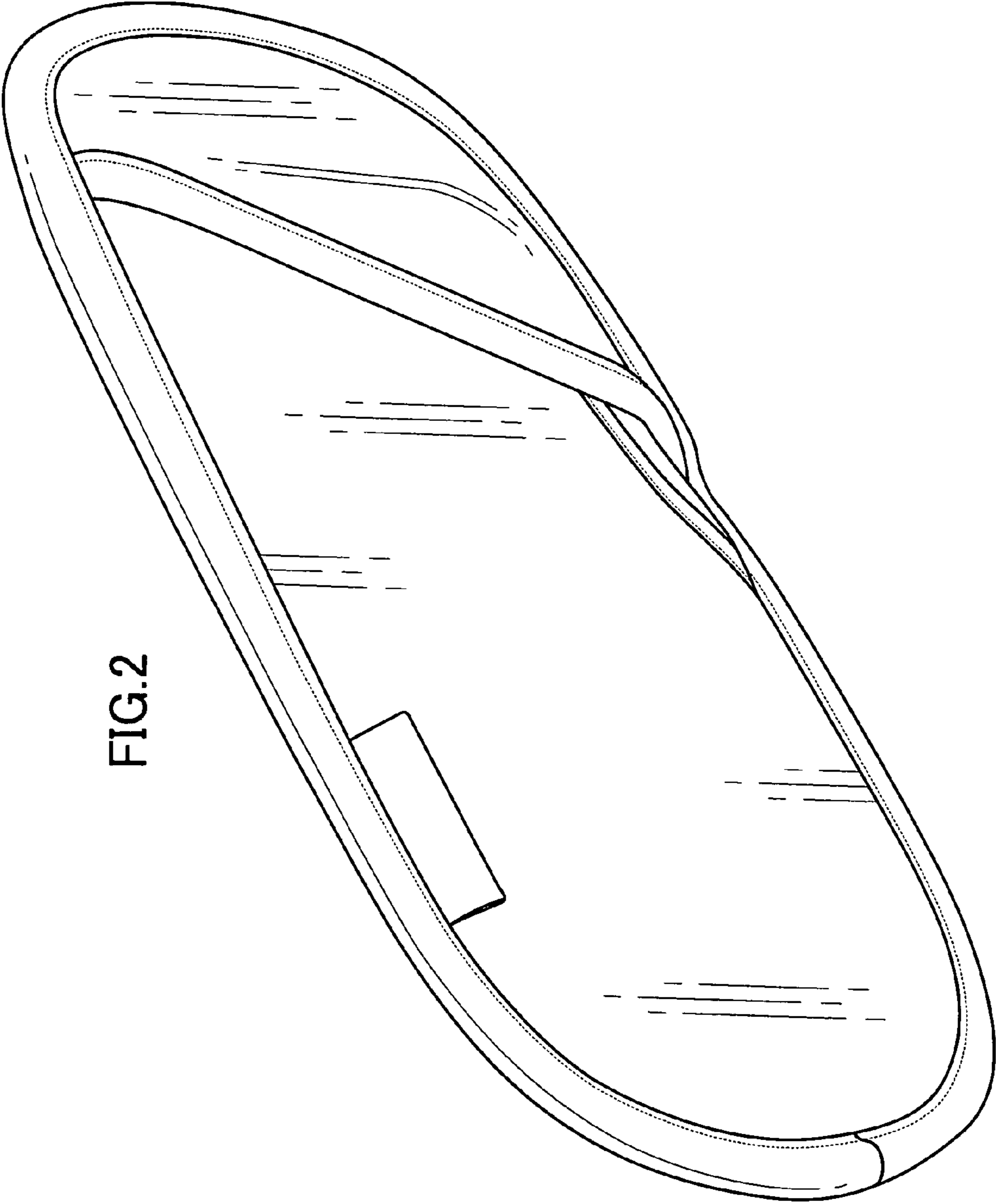


FIG. 2

FIG.3

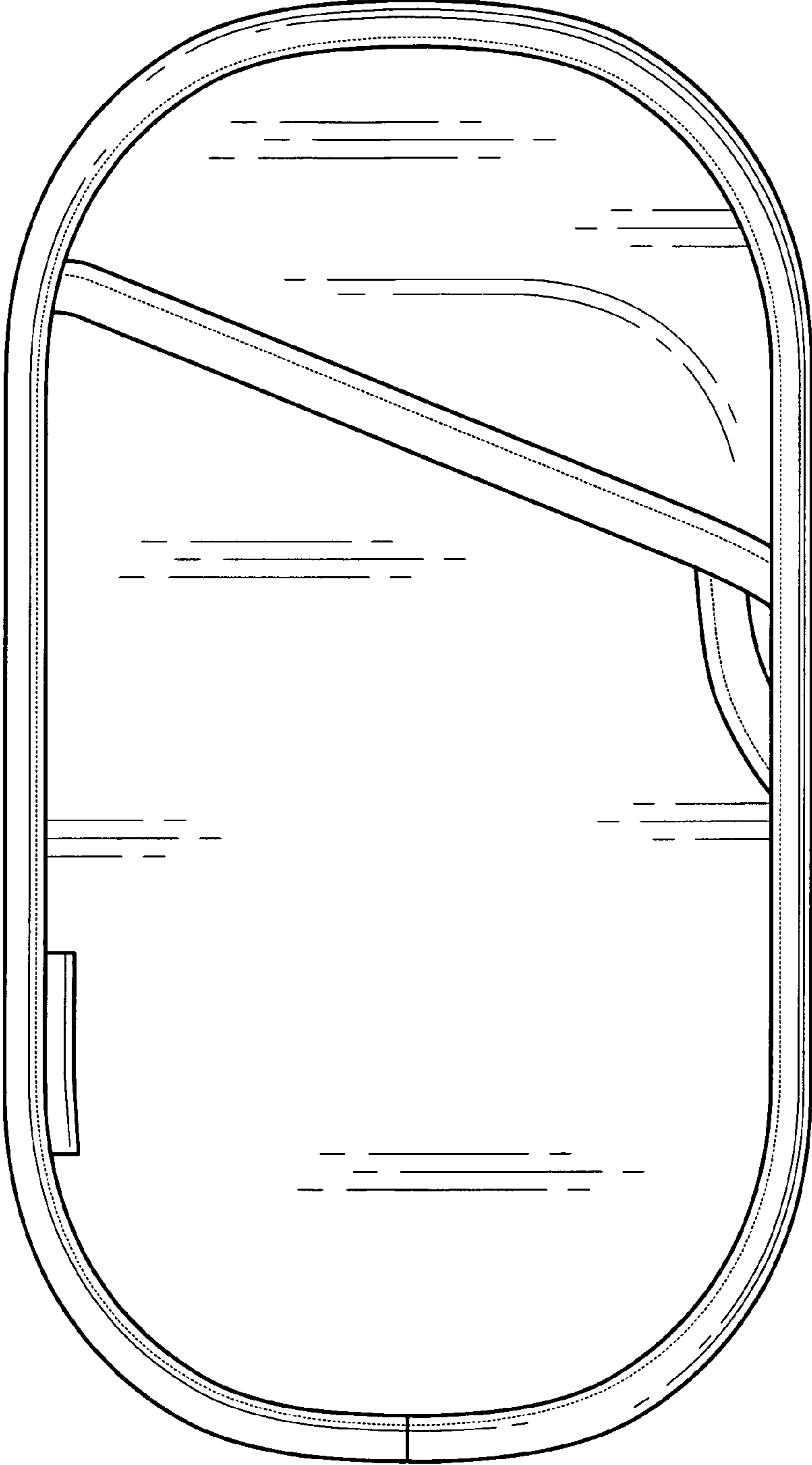


FIG.4

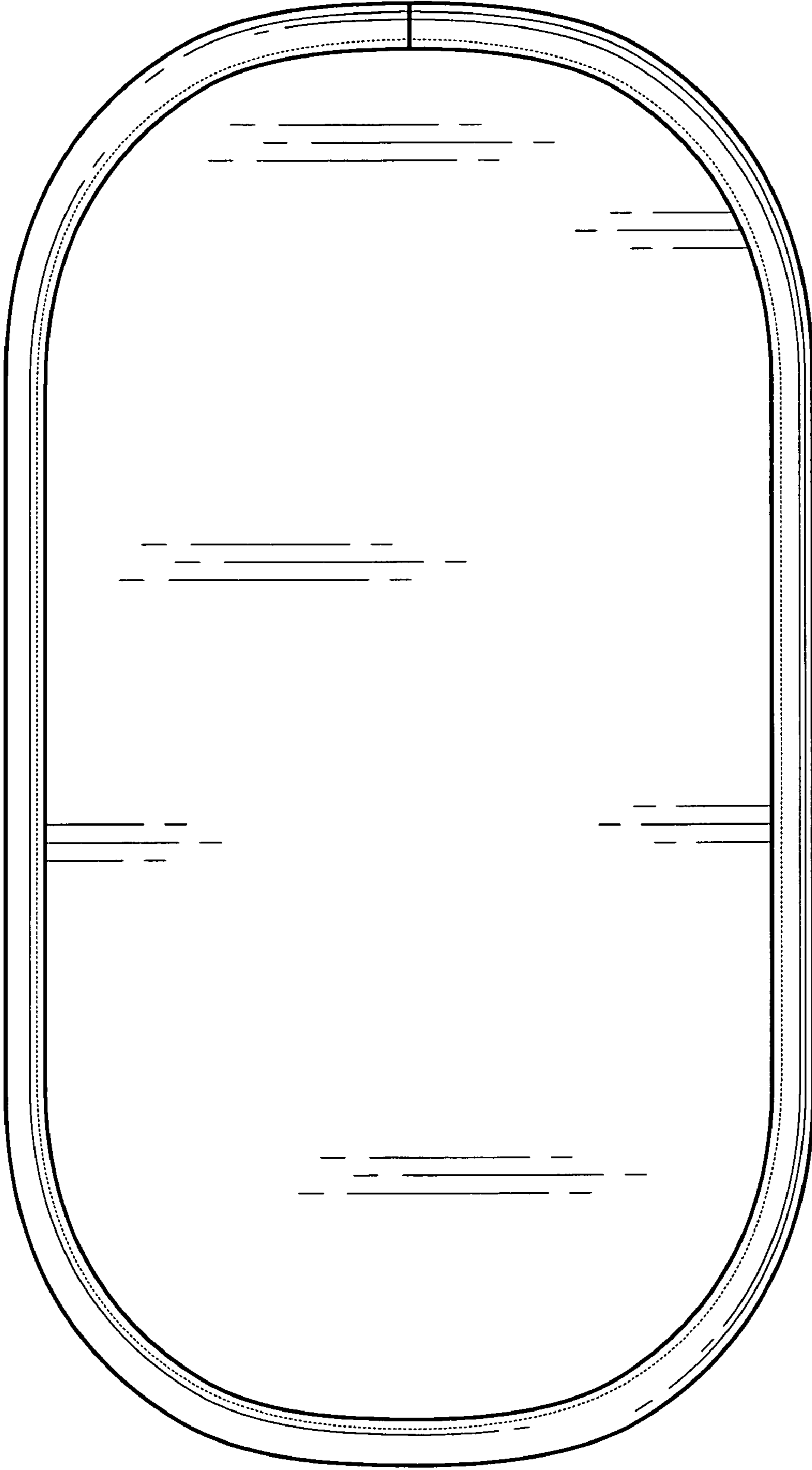


FIG.5

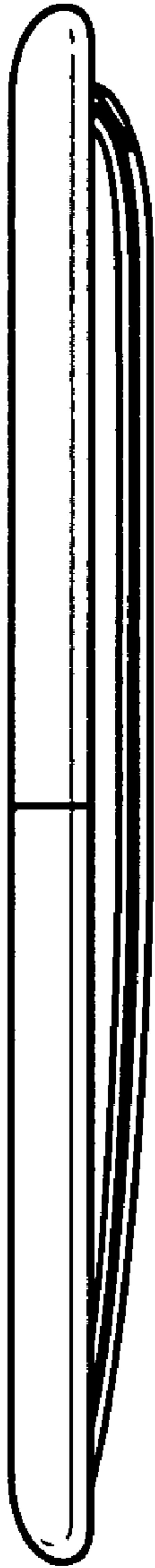


FIG.6

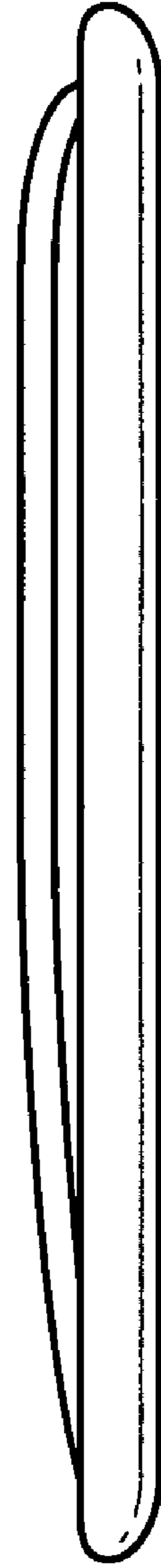


FIG.7

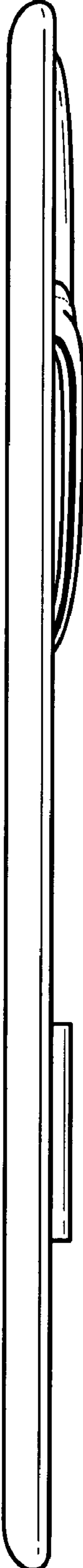


FIG.8

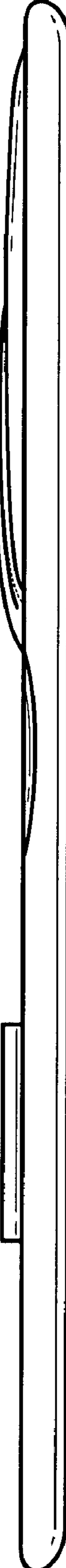


FIG.9

