



US00D671318S

(12) **United States Design Patent**  
**Schmidt et al.**

(10) **Patent No.:** **US D671,318 S**

(45) **Date of Patent:** **\*\* Nov. 27, 2012**

(54) **STORAGE BOX**

(75) Inventors: **Arkus Schmidt**, Bietigheim (DE);  
**Teffen Seiffarth**, Filderstadt (DE)

(73) Assignee: **Esselte Corporation**, Melville, NY (US)

(\*\*) Term: **14 Years**

(21) Appl. No.: **29/397,636**

(22) Filed: **Jul. 19, 2011**

(30) **Foreign Application Priority Data**

Jan. 19, 2011 (EM) ..... 001 807 678-0003

(51) **LOC (9) Cl.** ..... **03-01**

(52) **U.S. Cl.** ..... **D3/297**

(58) **Field of Classification Search** ..... D3/272-273,  
D3/295-297; 206/278, 457, 215, 555, 1.5,  
206/235, 265

See application file for complete search history.

(56) **References Cited**

U.S. PATENT DOCUMENTS

D361,430 S \* 8/1995 Mohundro ..... D3/297  
D622,959 S \* 9/2010 Zalewski et al. .... D3/273  
D632,892 S \* 2/2011 Zalewski et al. .... D3/273

\* cited by examiner

*Primary Examiner* — Holly Baynham

(74) *Attorney, Agent, or Firm* — Dorsey & Whitney LLP

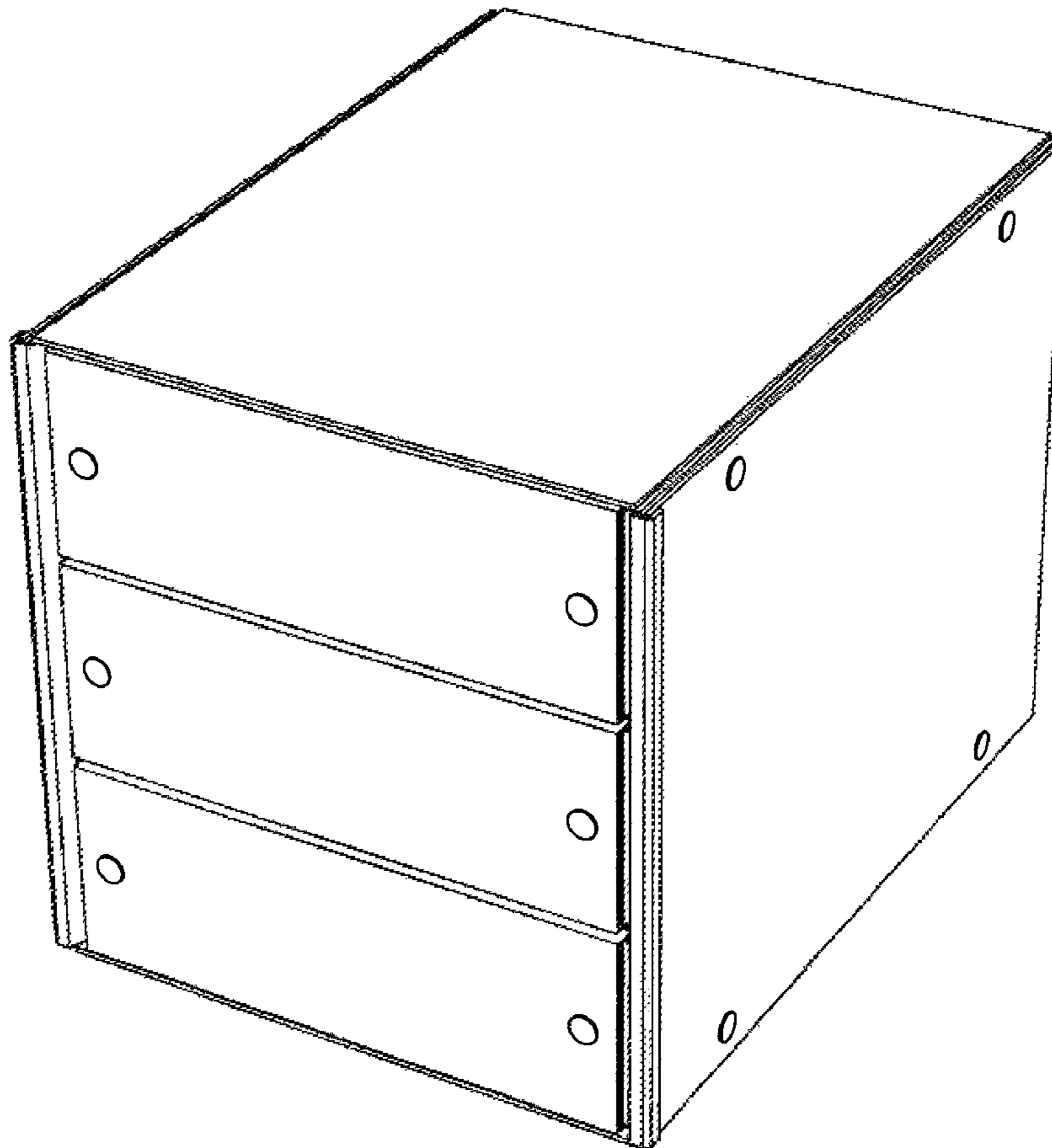
(57) **CLAIM**

The ornamental design of a storage box, as shown and described.

**DESCRIPTION**

FIG. 1 is a front side view of an exemplary embodiment of an assembled storage box having three drawers;  
FIG. 2 is a back side view of the storage box shown in FIG. 1;  
FIG. 3 is a right side view of the storage box shown in FIG. 1;  
FIG. 4 is a left side view of the storage box shown in FIG. 1;  
FIG. 5 is a top view of the storage box shown in FIG. 1;  
FIG. 6 is a bottom view of the storage box shown in FIG. 1;  
FIG. 7 is a perspective view of the storage box shown in FIG. 1; and,  
FIG. 8 is a perspective view of the storage box shown in FIG. 1, with two of the drawers partially removed.

**1 Claim, 8 Drawing Sheets**



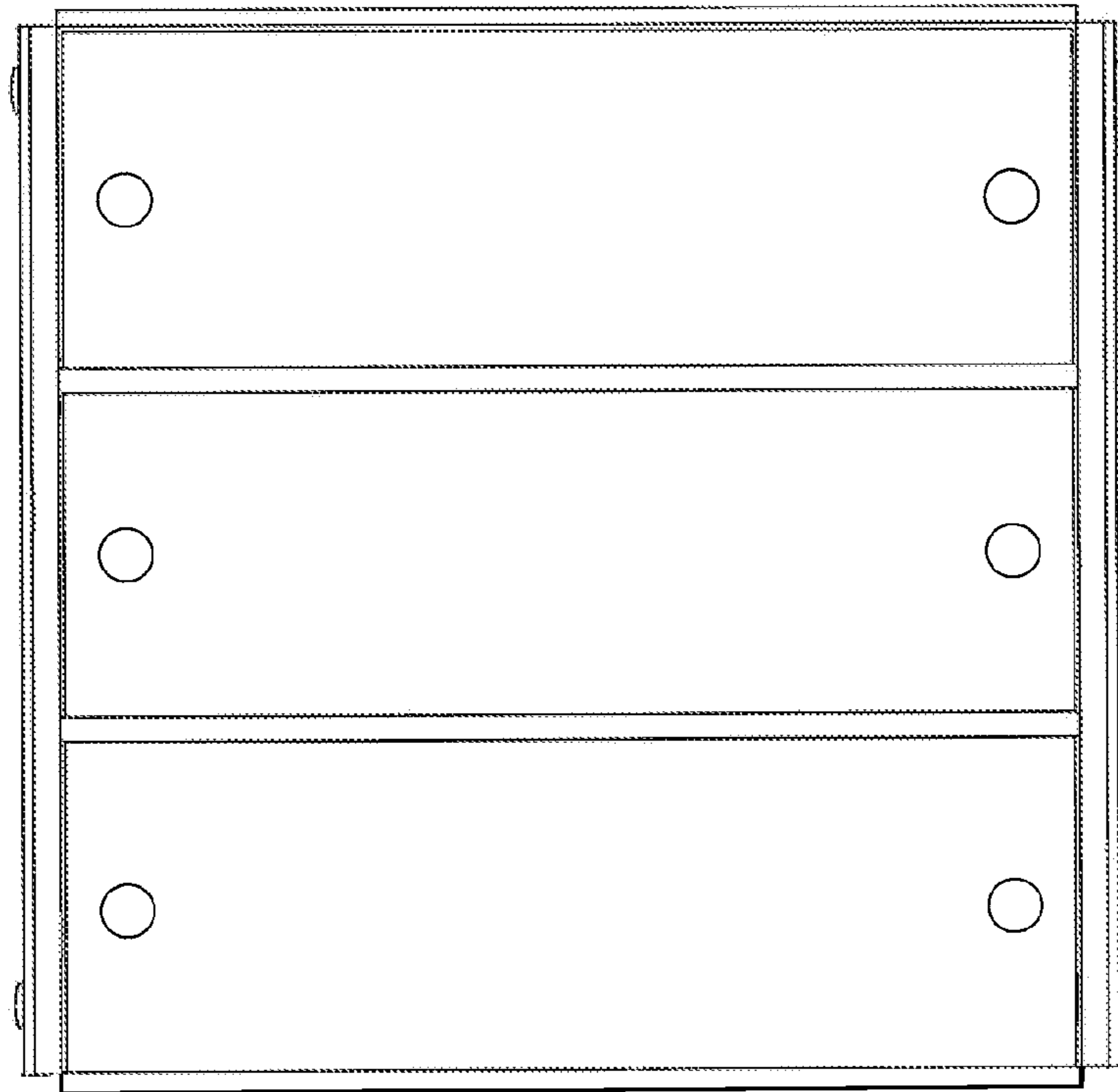


FIG. 1

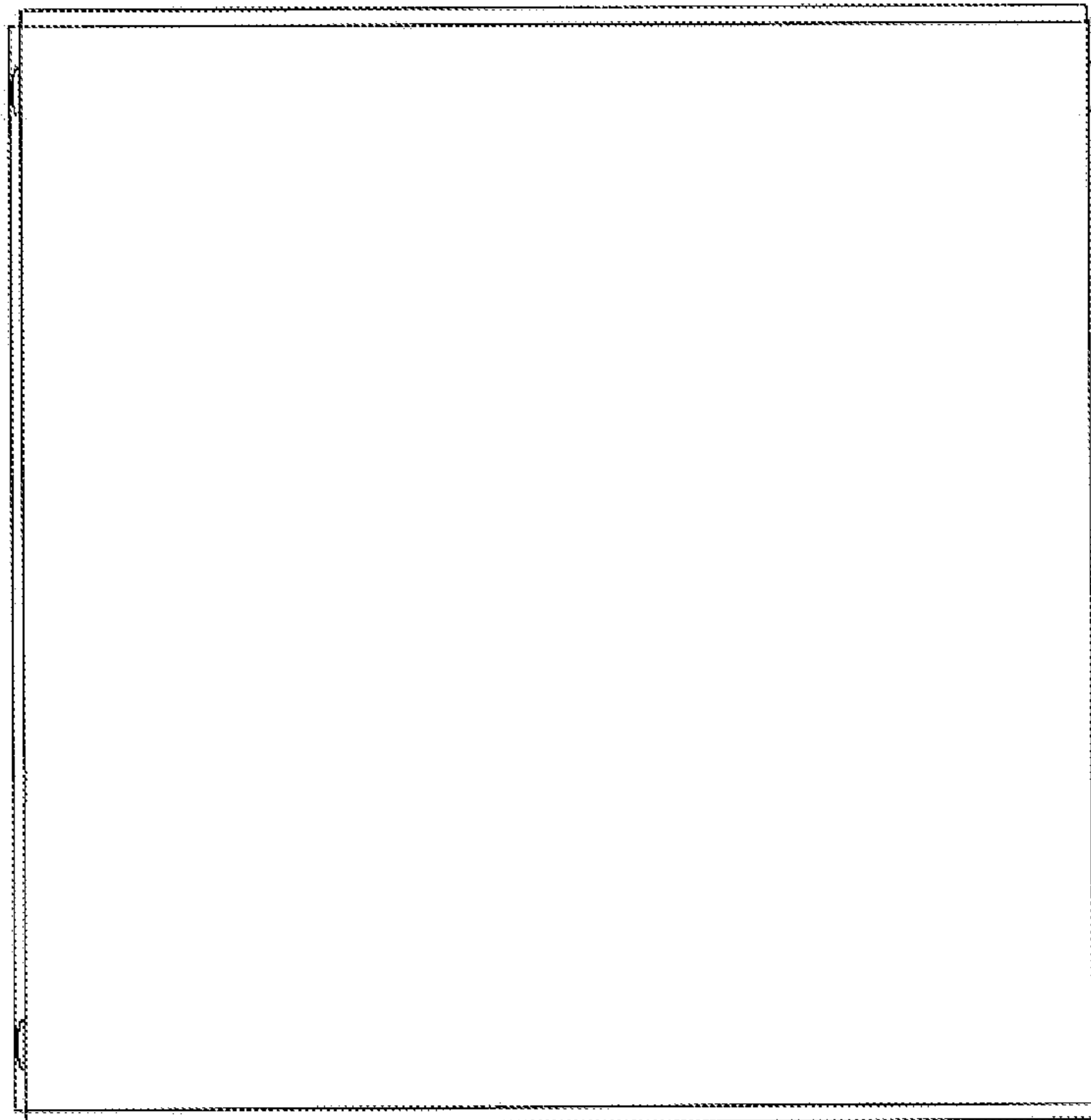


FIG. 2

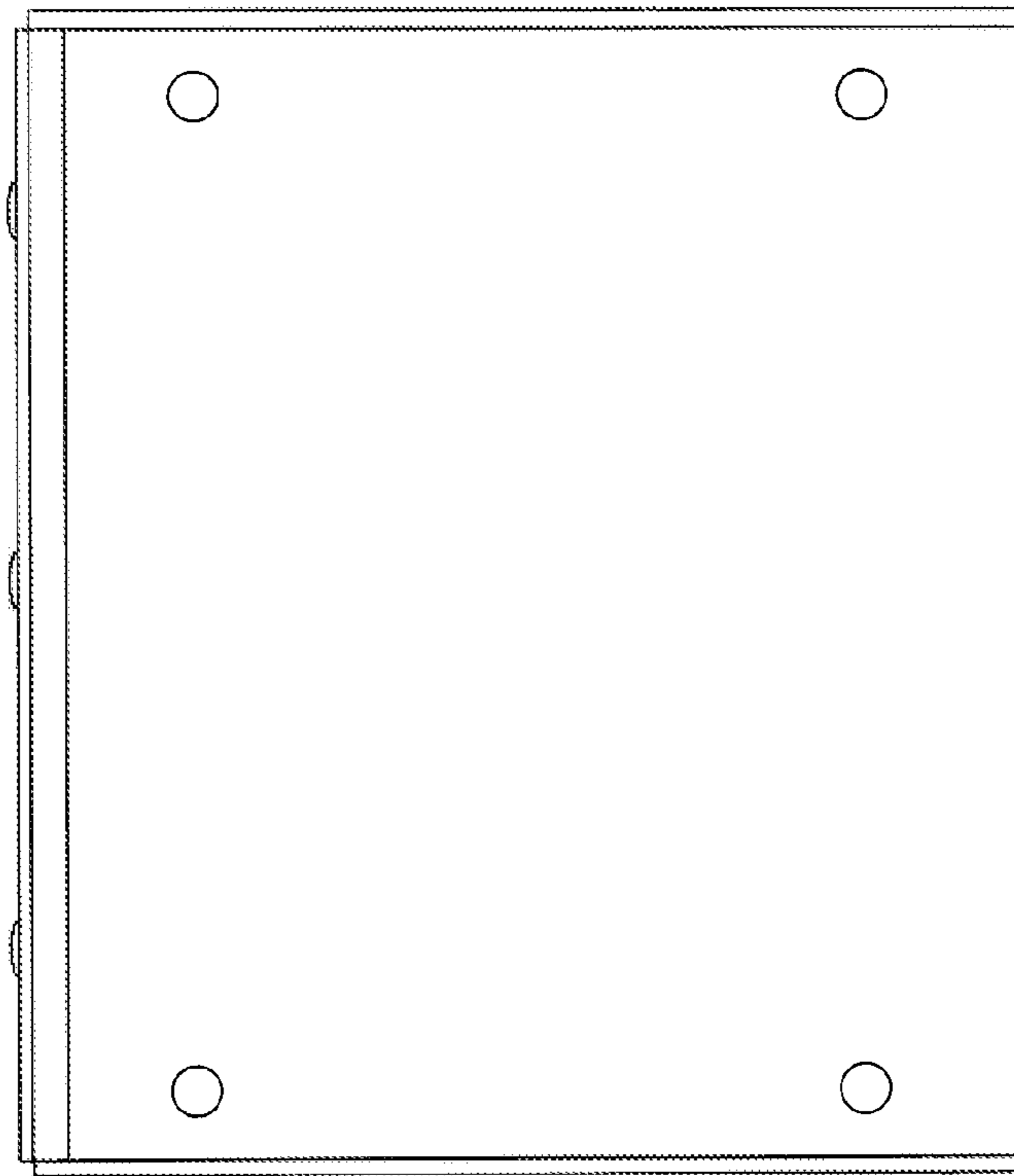


FIG. 3

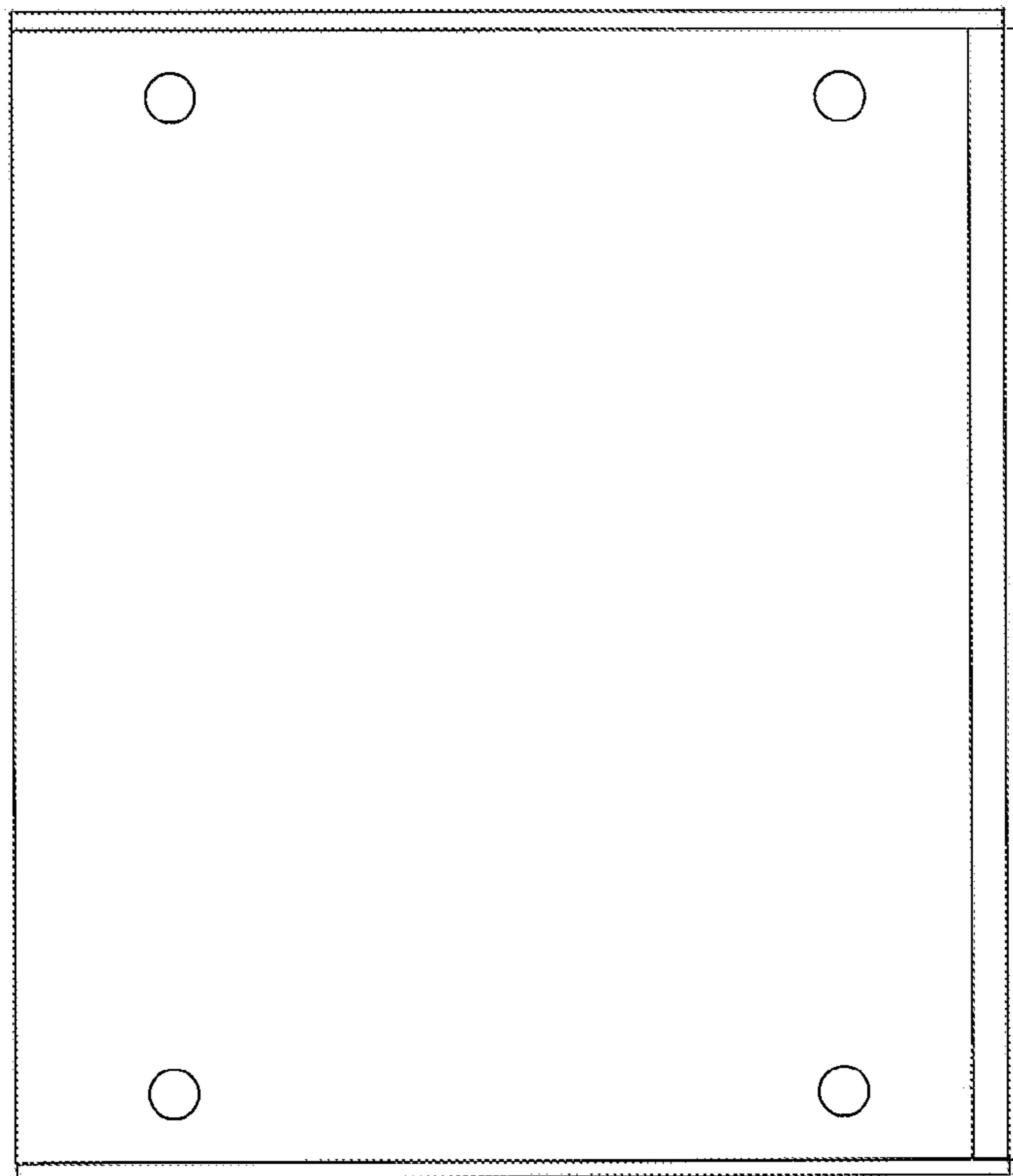


FIG. 4

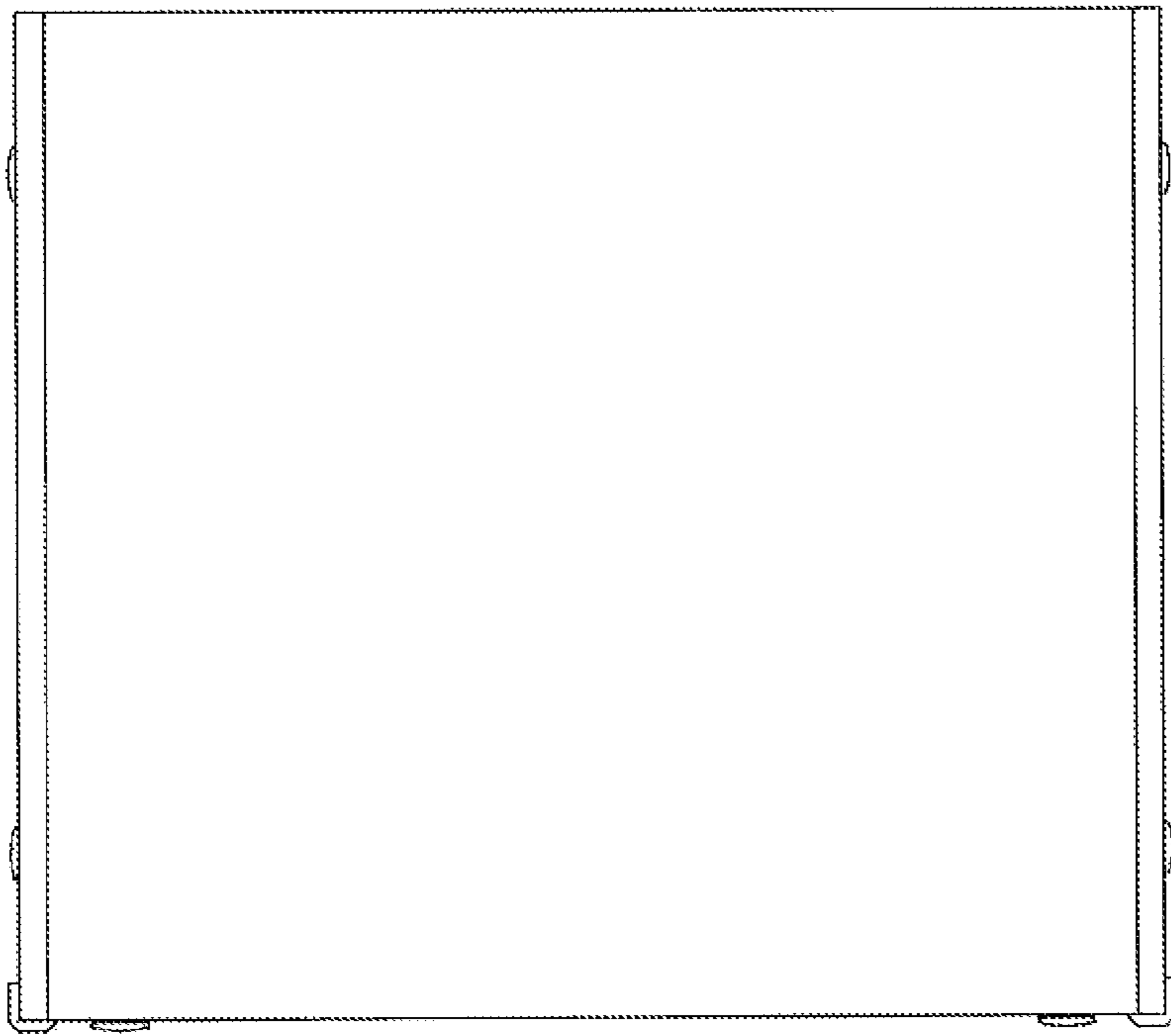


FIG. 5

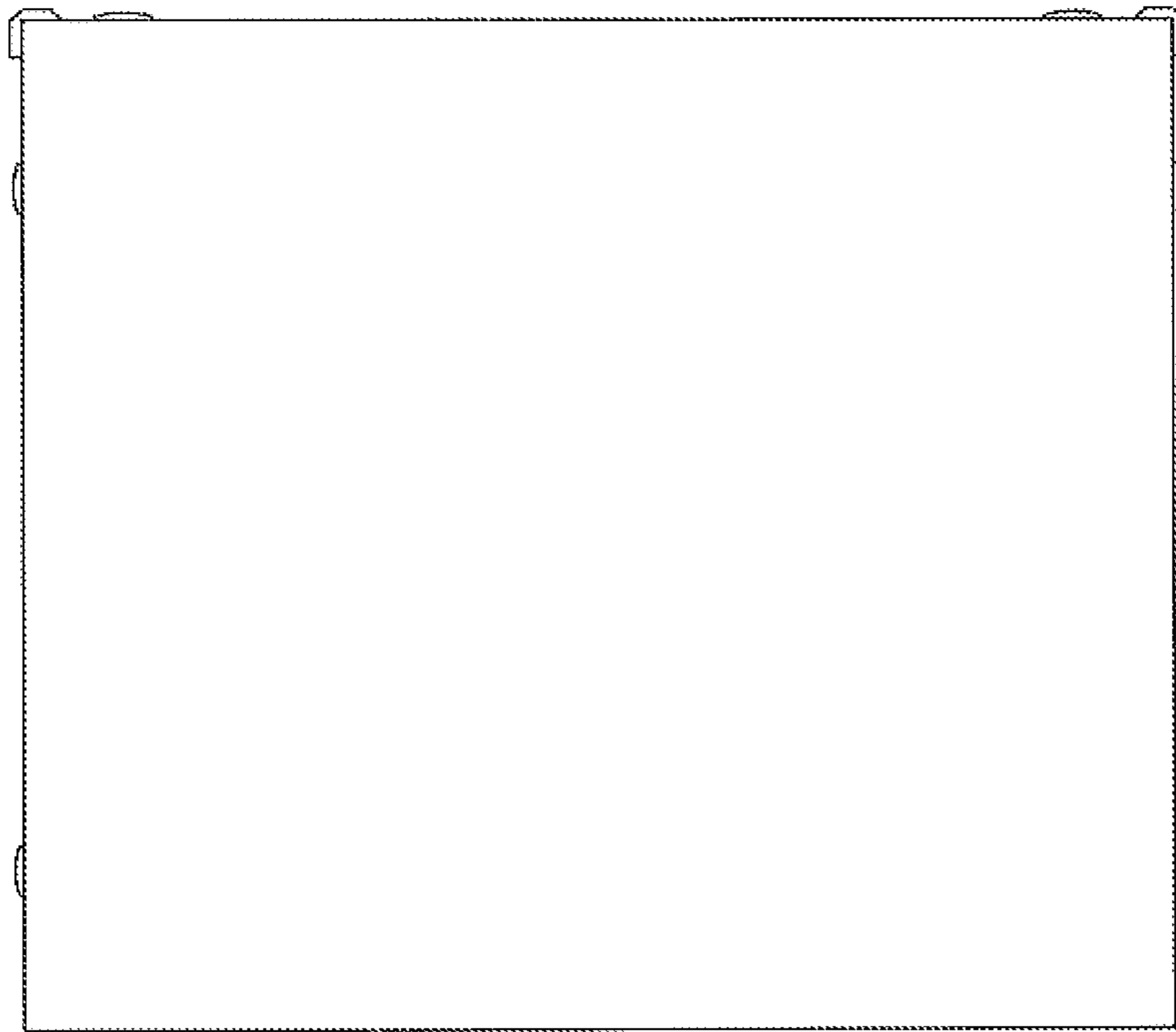


FIG. 6

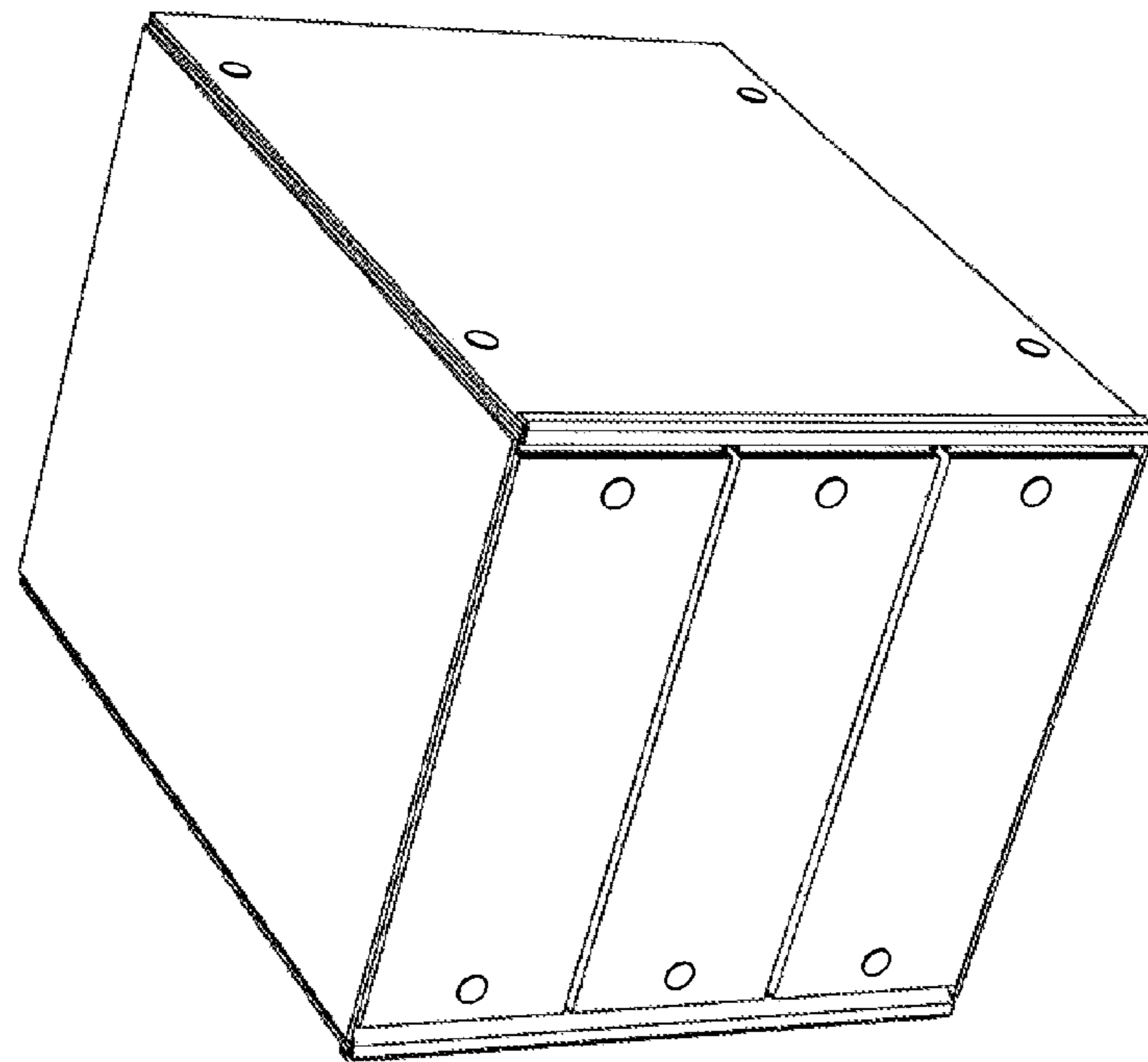


FIG. 7



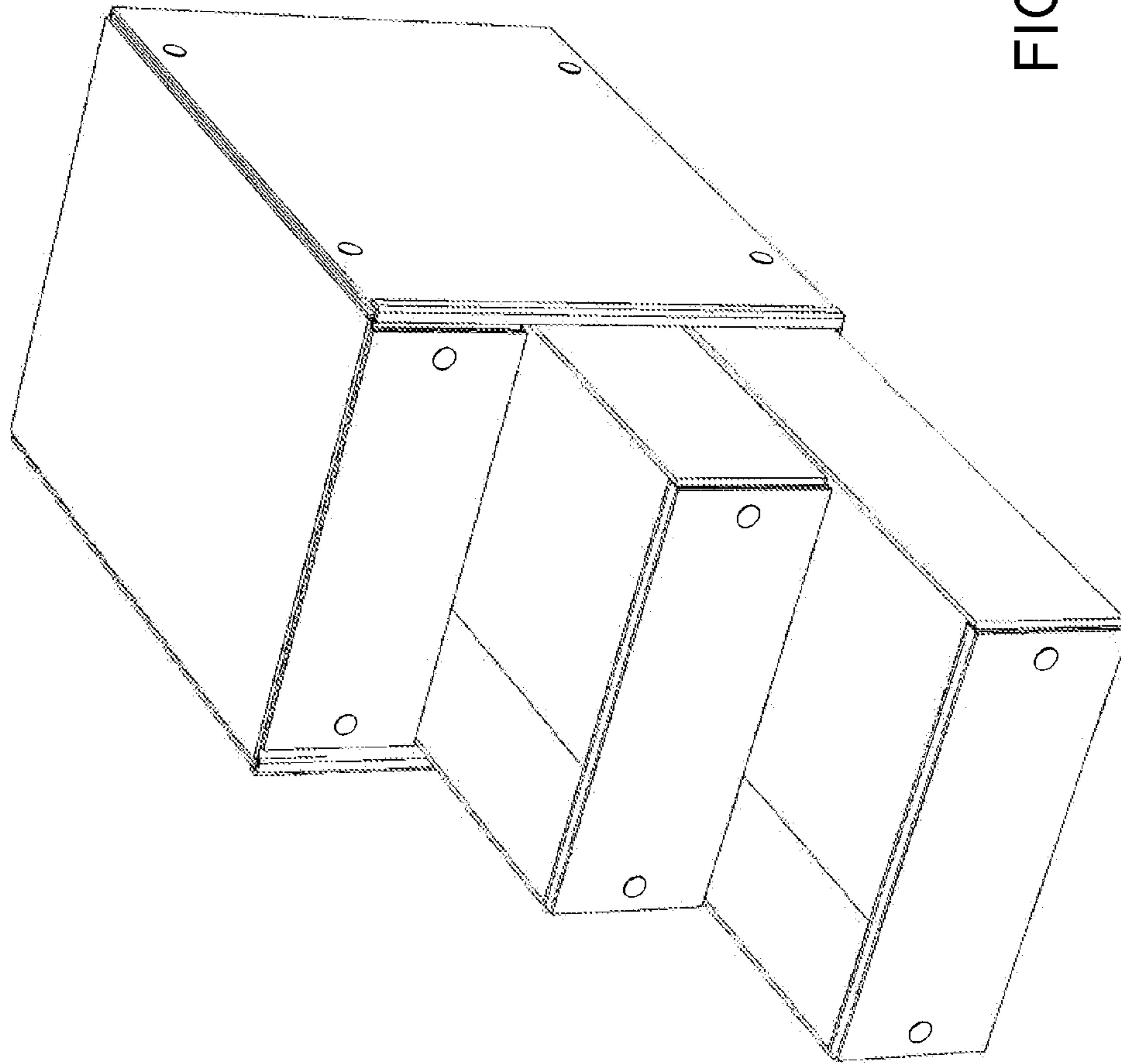


FIG. 8